



US00D487577S

(12) **United States Design Patent**
Sheard et al.

(10) **Patent No.: US D487,577 S**

(45) **Date of Patent: ** Mar. 16, 2004**

(54) **CAMERA**

D380,226 S * 6/1997 Ohi et al. D16/202
D386,507 S * 11/1997 Ohi et al. D16/202

(75) Inventors: **Justin M. Sheard**, Brooklyn Park, MN (US); **Kirk R. Johnson**, Rogers, MN (US); **Thomas J. McManus**, Plymouth, MN (US); **Charles R. Frigard**, Mound, MN (US)

OTHER PUBLICATIONS

Sharp Catalog, Sep. 1993, (VL series cameras).*

* cited by examiner

(73) Assignee: **Infrared Solutions, Inc.**, Plymouth, MN (US)

Primary Examiner—Adir Aronovich
(74) *Attorney, Agent, or Firm*—Robert A. Pajak

(**) Term: **14 Years**

(57) **CLAIM**

(21) Appl. No.: **29/179,649**

The ornamental design for a camera, as shown and described.

(22) Filed: **Apr. 12, 2003**

DESCRIPTION

(51) **LOC (7) Cl.** **16-01**

(52) **U.S. Cl.** **D16/202**

(58) **Field of Search** D16/200–206,
D16/208, 218; 348/373–376; 358/906, 909.1;
396/535–541

FIG. 1 is a rear perspective view of a camera embodying our design;

FIG. 2 is a front perspective view of a camera embodying our design;

FIG. 3 is a rear elevation view thereof;

FIG. 4 is a front elevation view thereof;

FIG. 5 is a left side elevation view thereof;

FIG. 6 is a right side elevation view thereof;

FIG. 7 is a top plan view thereof; and,

FIG. 8 is a bottom plan view thereof.

(56) **References Cited**

U.S. PATENT DOCUMENTS

D352,728 S * 11/1994 Kurokawa et al. D16/202
D352,729 S * 11/1994 Tsujimura et al. D16/202
D365,116 S * 12/1995 Ohi et al. D16/202
D366,269 S * 1/1996 Ohi et al. D16/202

1 Claim, 8 Drawing Sheets

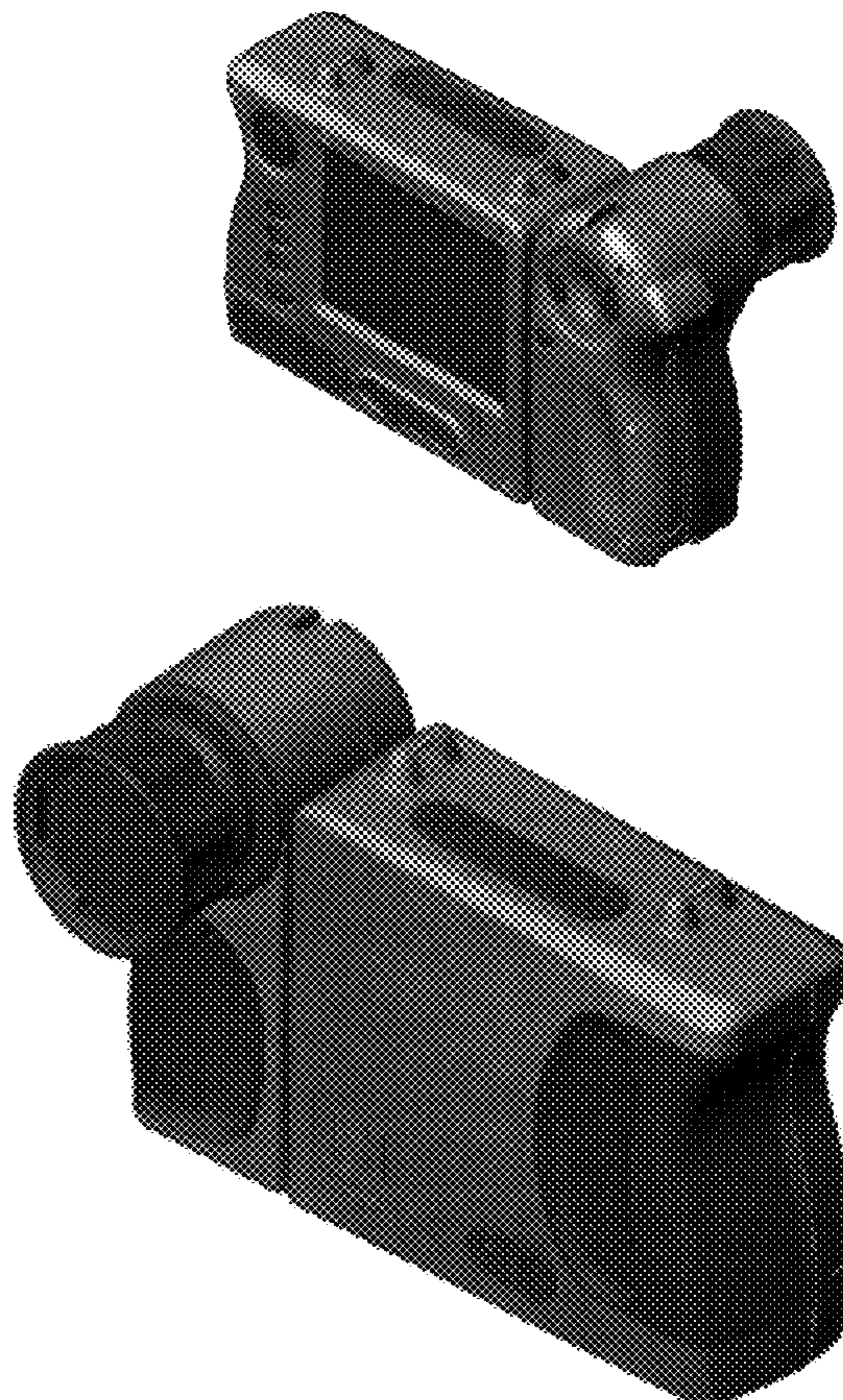




FIGURE 1



FIGURE 2

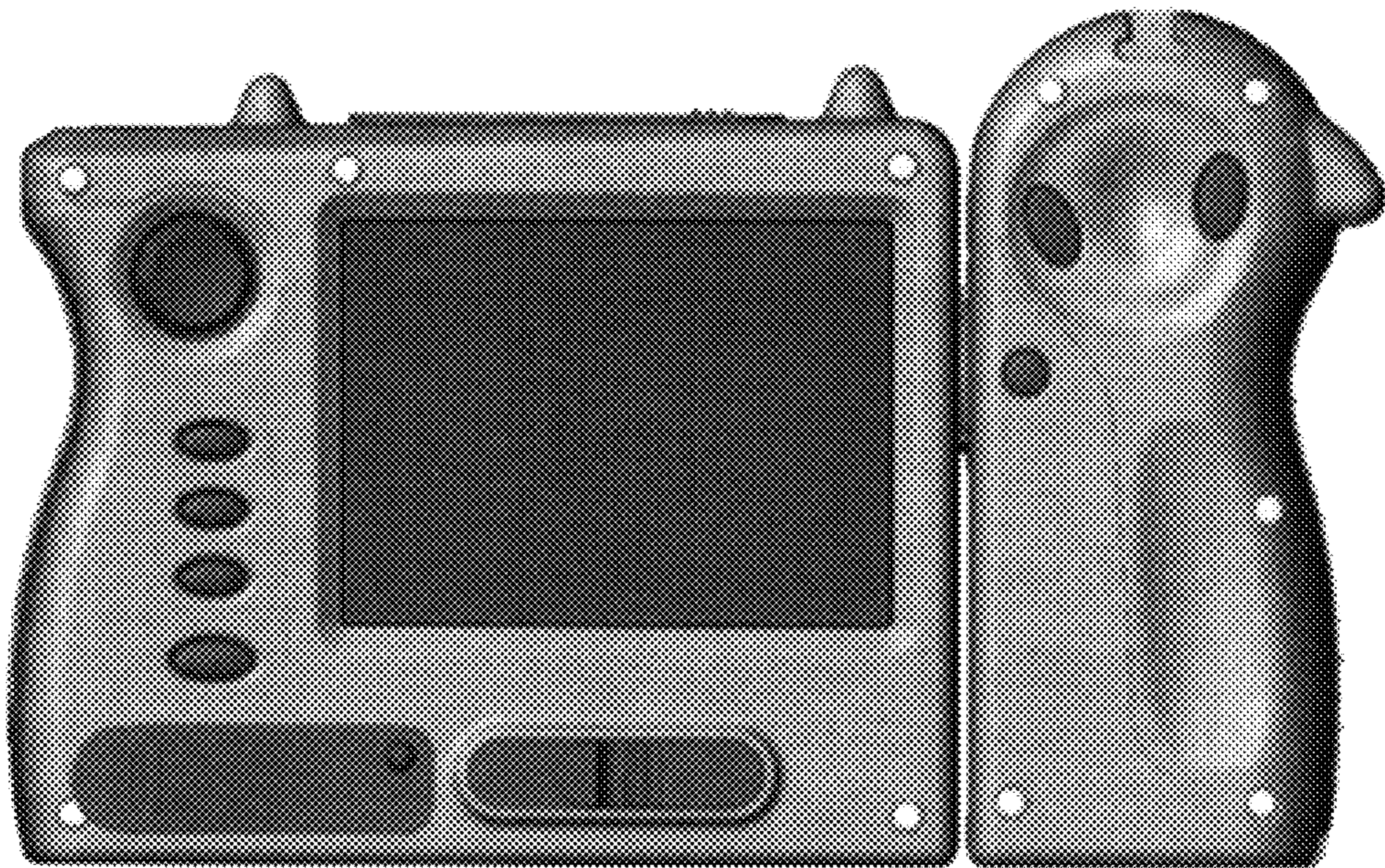


FIGURE 3

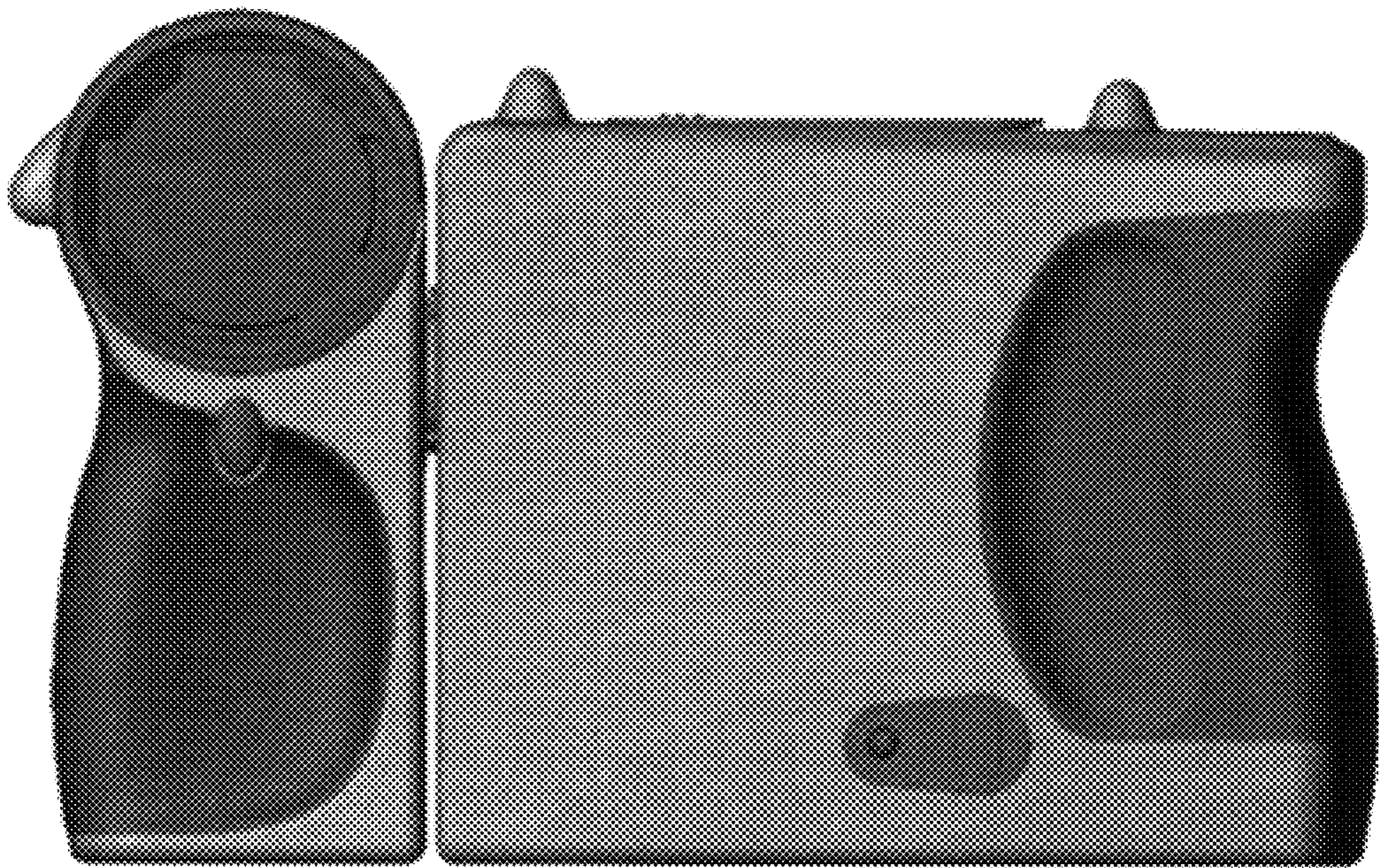


FIGURE 4

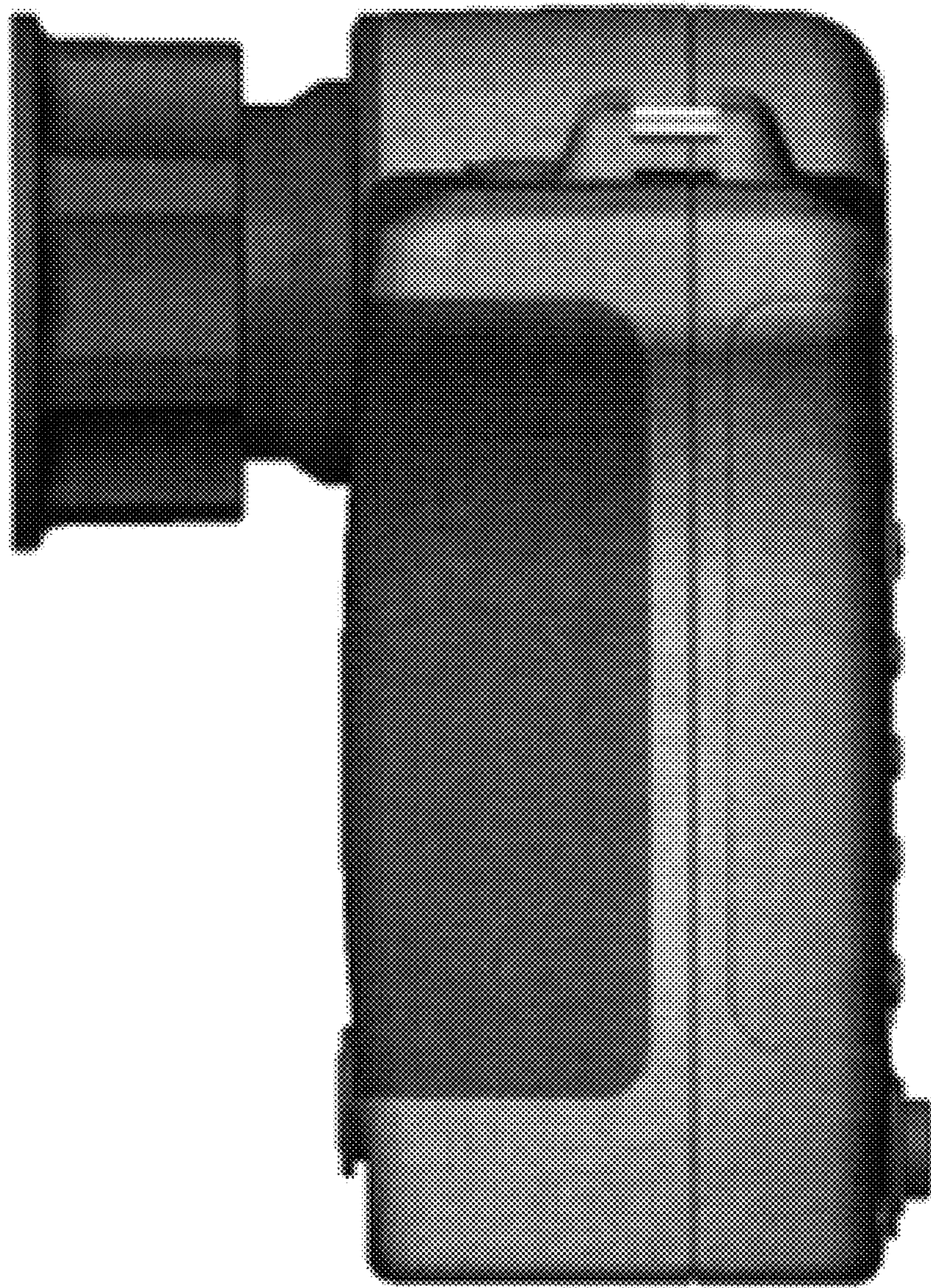


FIGURE 5

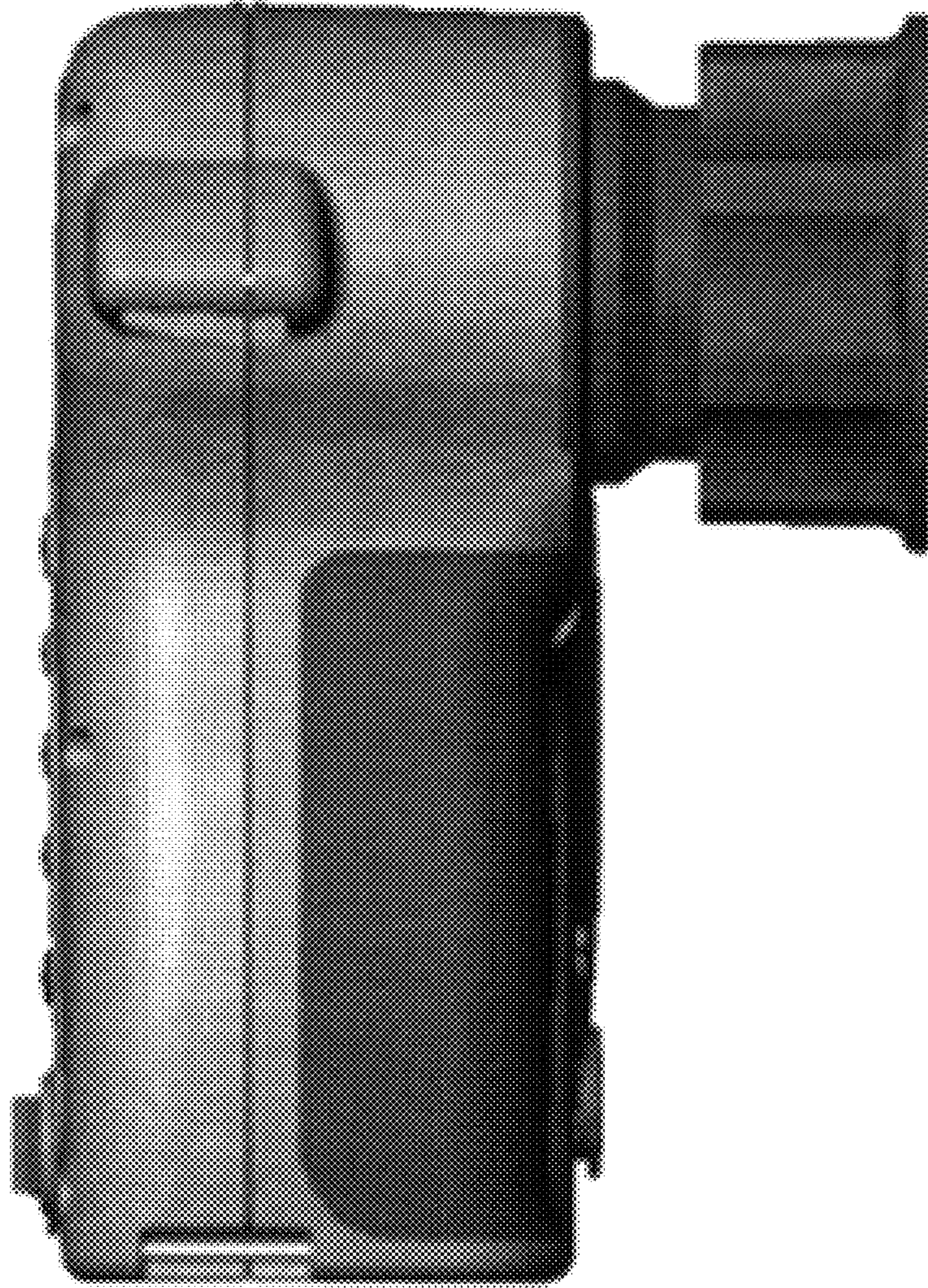


FIGURE 6

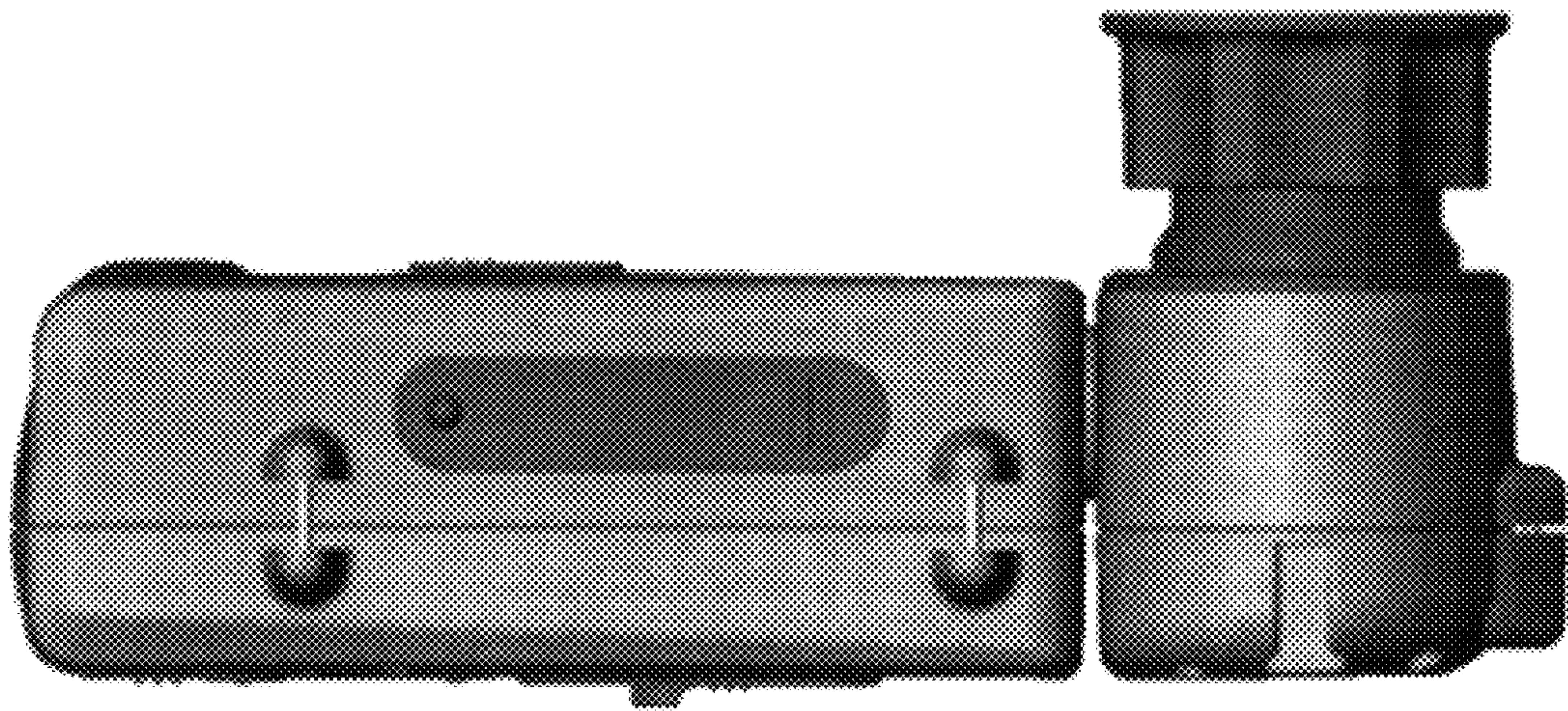


FIGURE 7

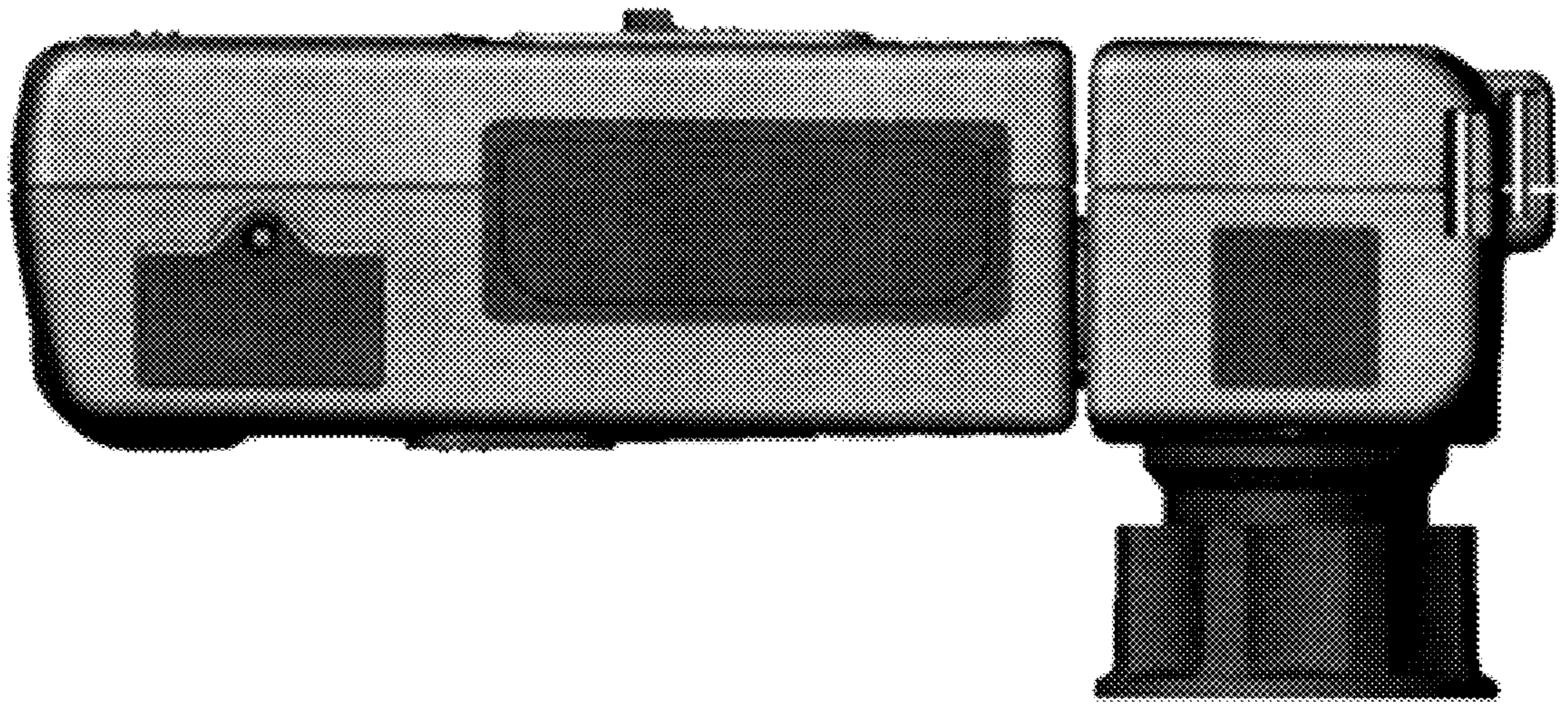


FIGURE 8