



US00D487575S

(12) **United States Design Patent**
Wetzel et al.

(10) **Patent No.:** **US D487,575 S**

(45) **Date of Patent:** **** Mar. 16, 2004**

(54) **MINI-EXCAVATOR BODY EXTERIOR**

D436,605 S * 1/2001 Shaw et al. D15/30
6,170,180 B1 1/2001 Schaeff 37/443
6,357,231 B1 3/2002 Duppong 60/421

(75) Inventors: **Michael D. Wetzel**, Bismarck, ND
(US); **Henry J. Weber**, Bismarck, ND
(US); **Jeremy A. Harms**, Bismarck, ND
(US)

* cited by examiner

(73) Assignee: **Clark Equipment Company**, Woodcliff
Lake, NJ (US)

Primary Examiner—Mitchell Siegel
(74) *Attorney, Agent, or Firm*—Westman, Champlin &
Kelly, P.A.

(**) Term: **14 Years**

(57) **CLAIM**

(21) Appl. No.: **29/168,107**

The ornamental design for a mini-excavator body exterior,
as shown and described.

(22) Filed: **Sep. 26, 2002**

DESCRIPTION

(51) **LOC (7) Cl.** **15-03**

(52) **U.S. Cl.** **D15/33**

(58) **Field of Search** D15/10, 22-26,
D15/28, 30, 33; 180/89.1, 89.12, 900; 296/190.1;
414/680, 685, 694, 698, 719, 722, 743

FIG. 1 is a view in perspective as seen from the front, side
and top of the mini-excavator body showing our new design
with the vehicle and canopy shown in dashed lines repre-
senting environment;

FIG. 2 is a view in perspective as seen from the front, top
and side;

FIG. 3 is a view in side elevation;

FIG. 4 is a view in side elevation of the side opposite that
shown in FIG. 3;

FIG. 5 is a view in front elevation;

FIG. 6 is a view in rear elevation;

FIG. 7 is a top plan view; and,

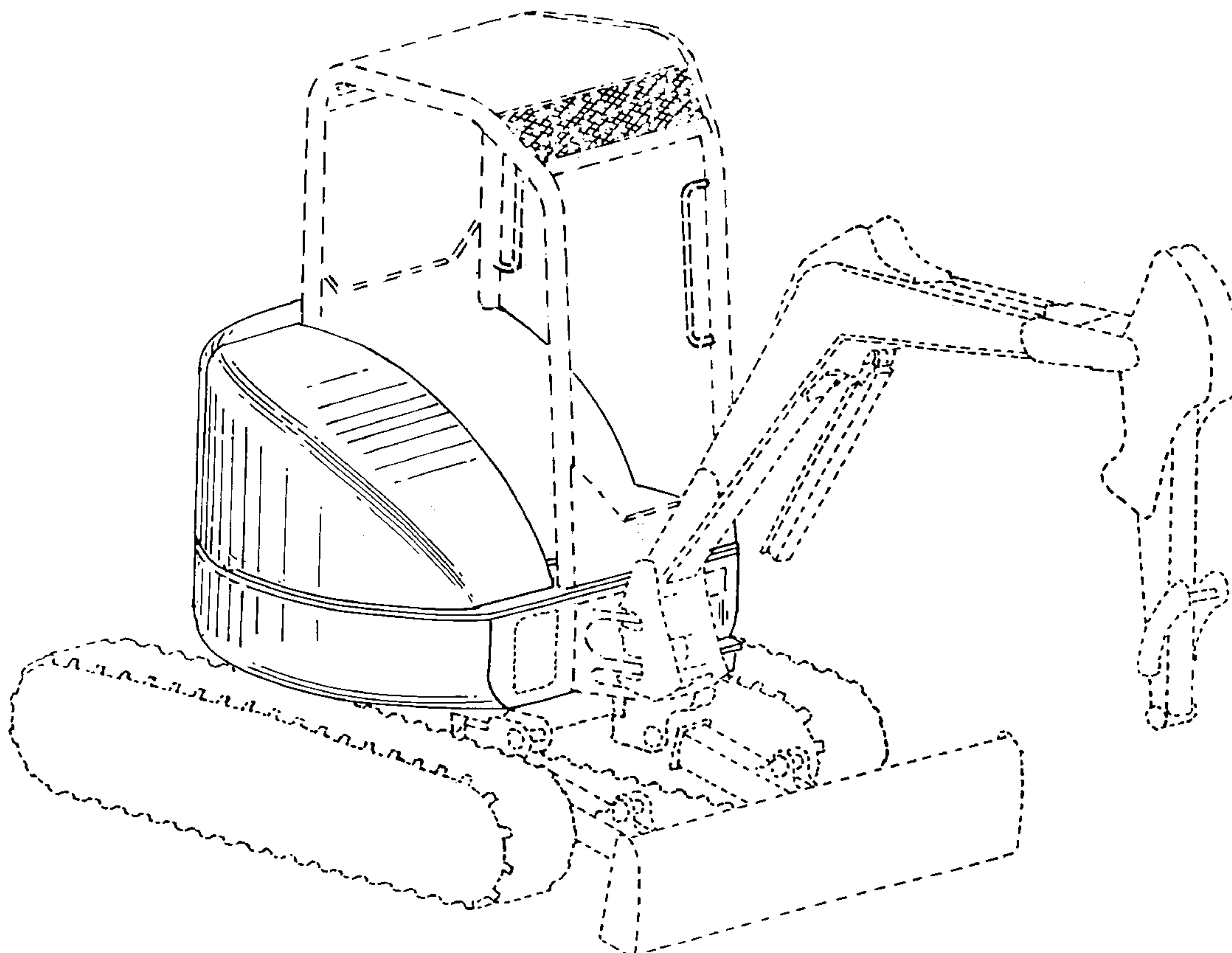
FIG. 8 is a bottom plan view.

(56) **References Cited**

U.S. PATENT DOCUMENTS

D237,996 S * 12/1975 Marie D15/30
4,650,242 A * 3/1987 Obe et al. 296/190.08
5,184,933 A 2/1993 Pei-qian et al. 414/725
6,018,895 A 2/2000 Duppong et al. 37/348
D432,144 S * 10/2000 Kraft et al. D15/30
D432,145 S * 10/2000 Kraft et al. D15/30
D433,689 S * 11/2000 Kraft et al. D15/30

1 Claim, 8 Drawing Sheets



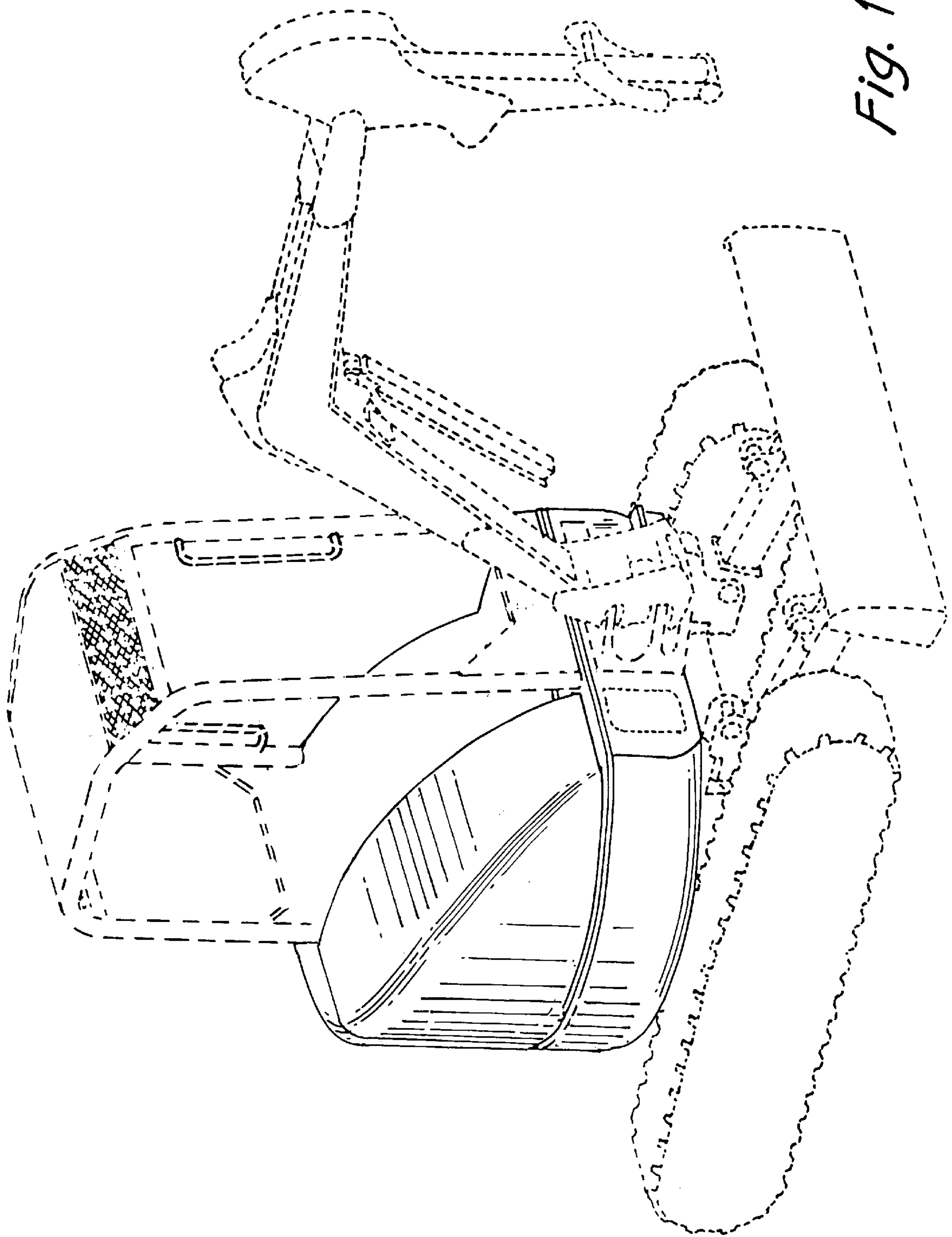


Fig. 1

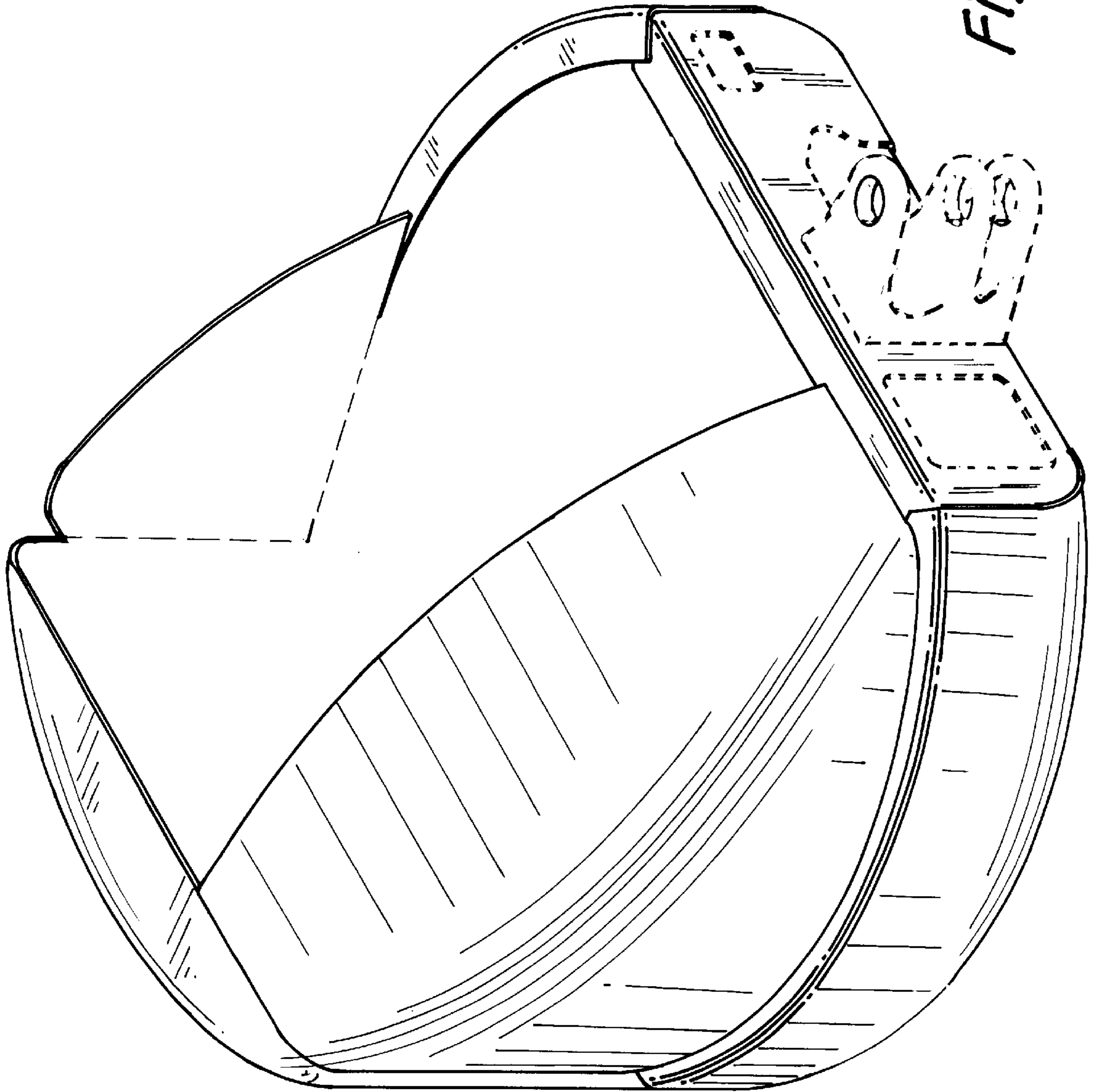


Fig. 2

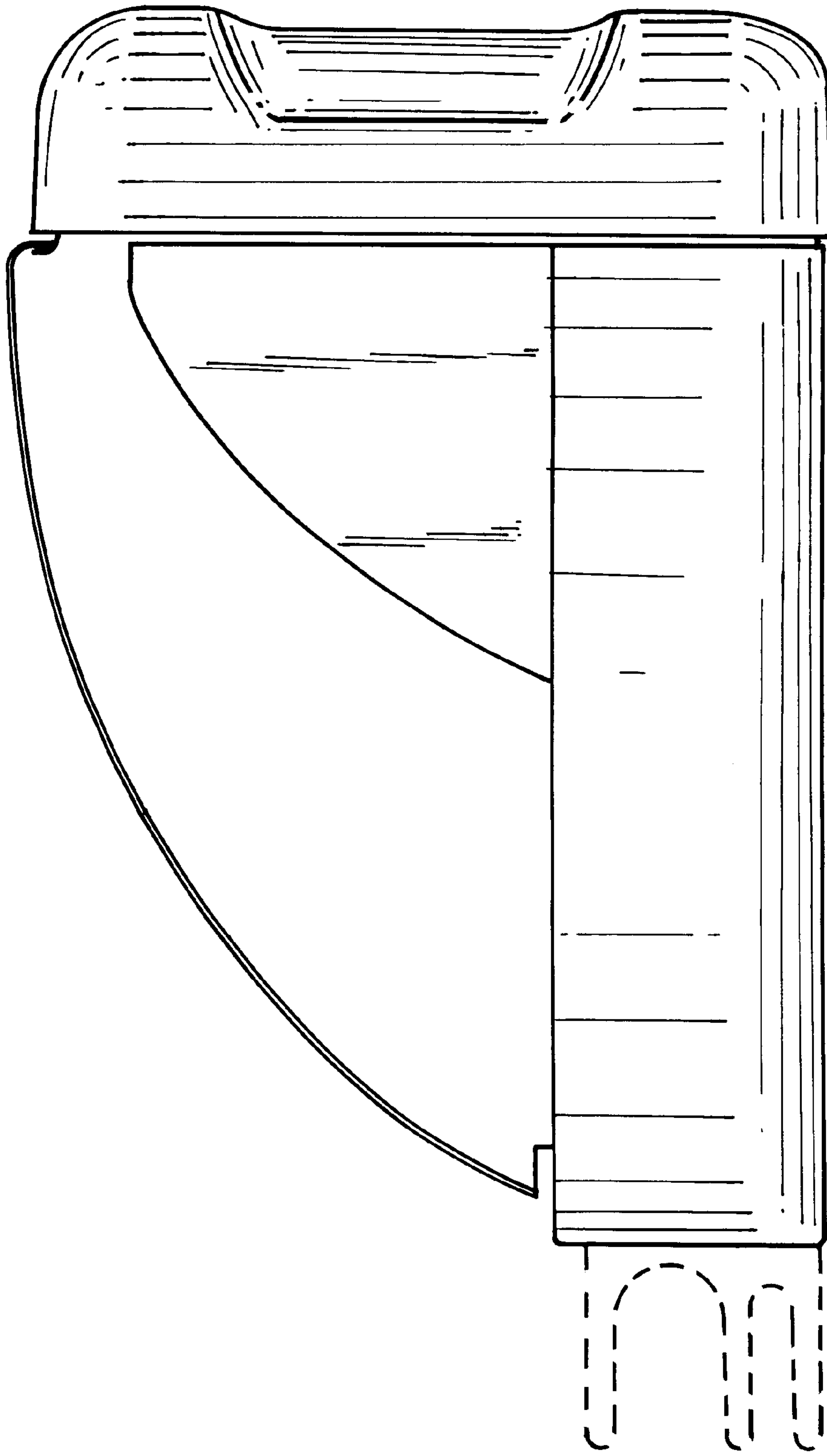


Fig. 3

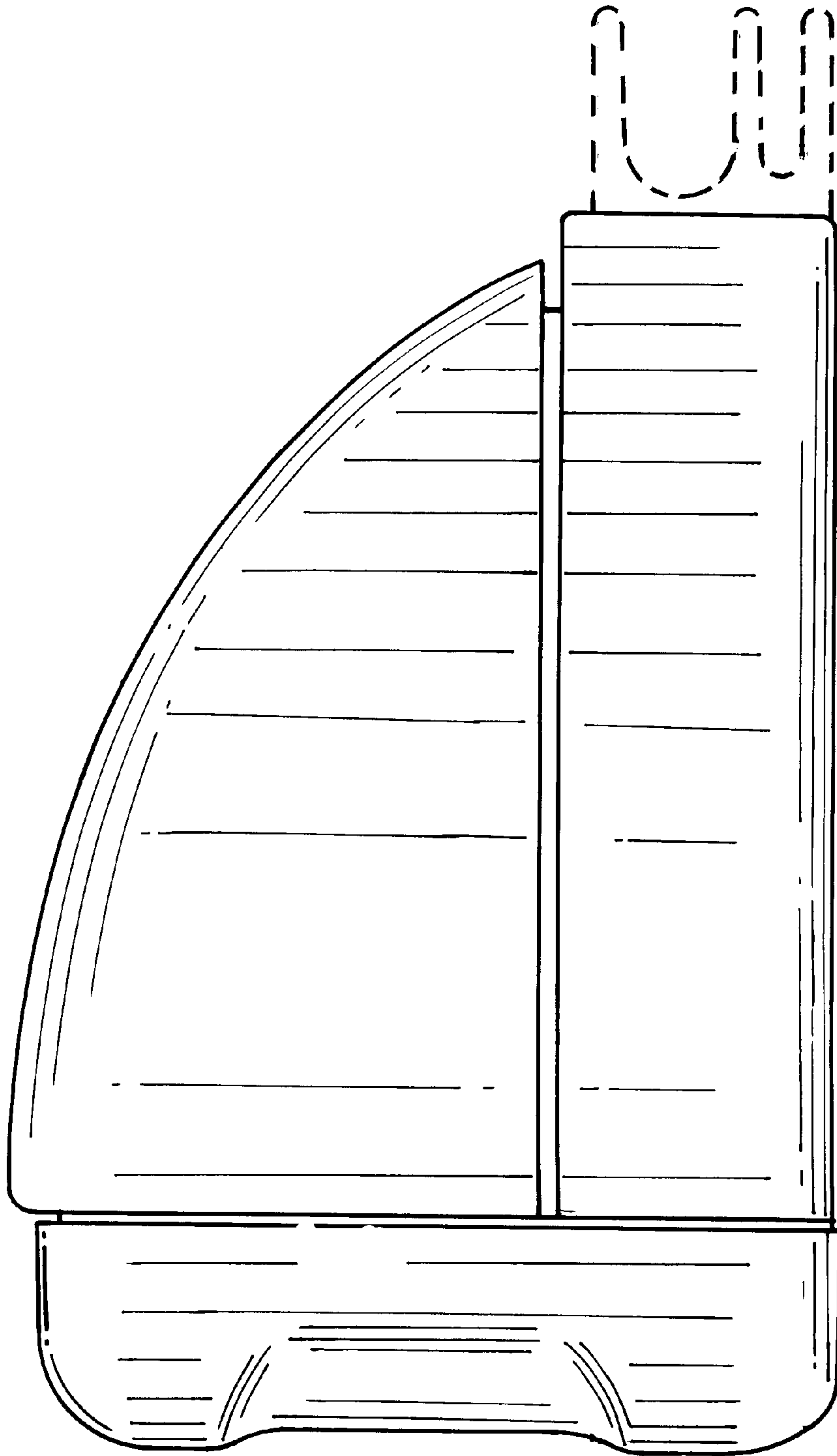


Fig. 4

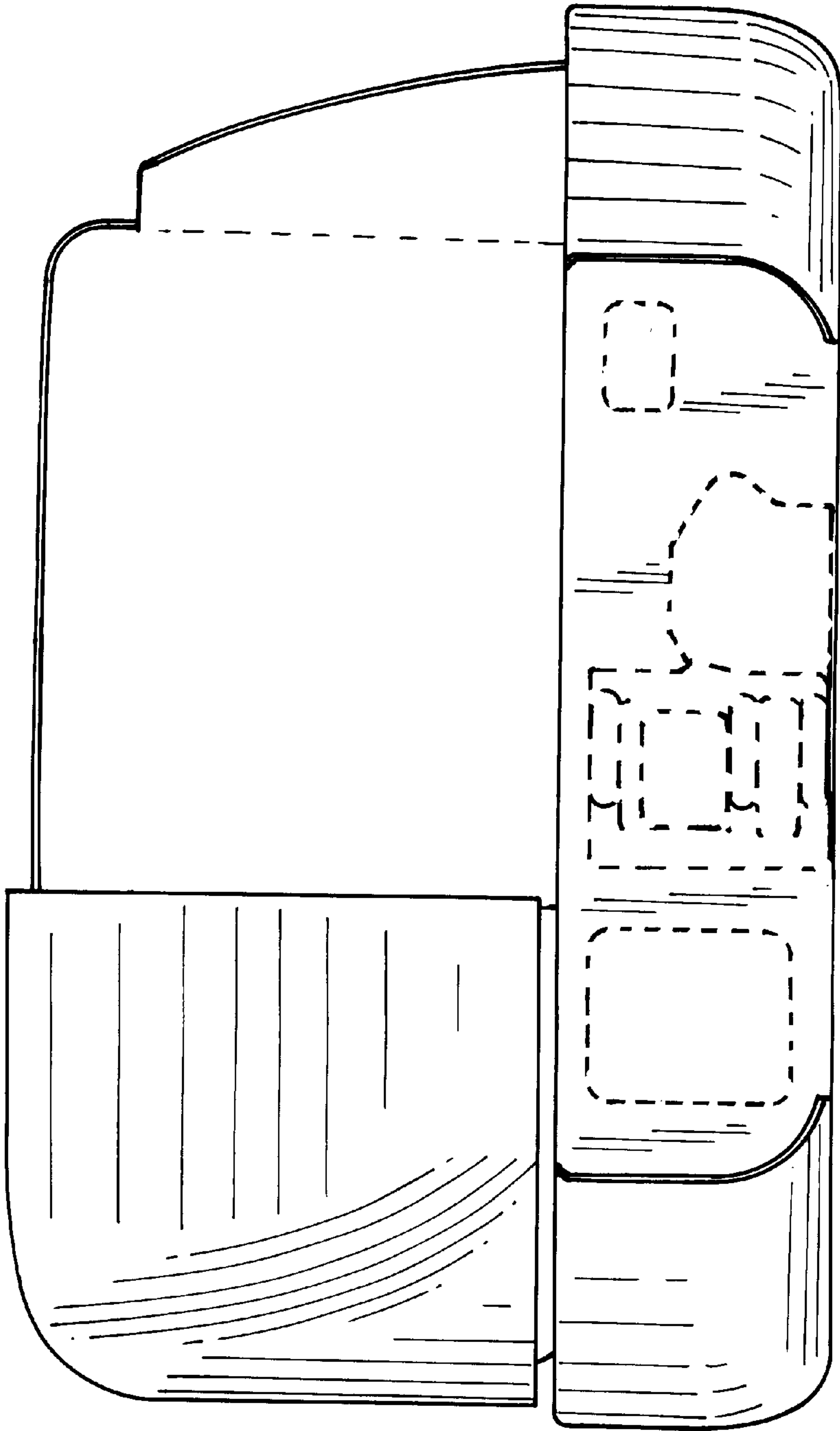


Fig. 5

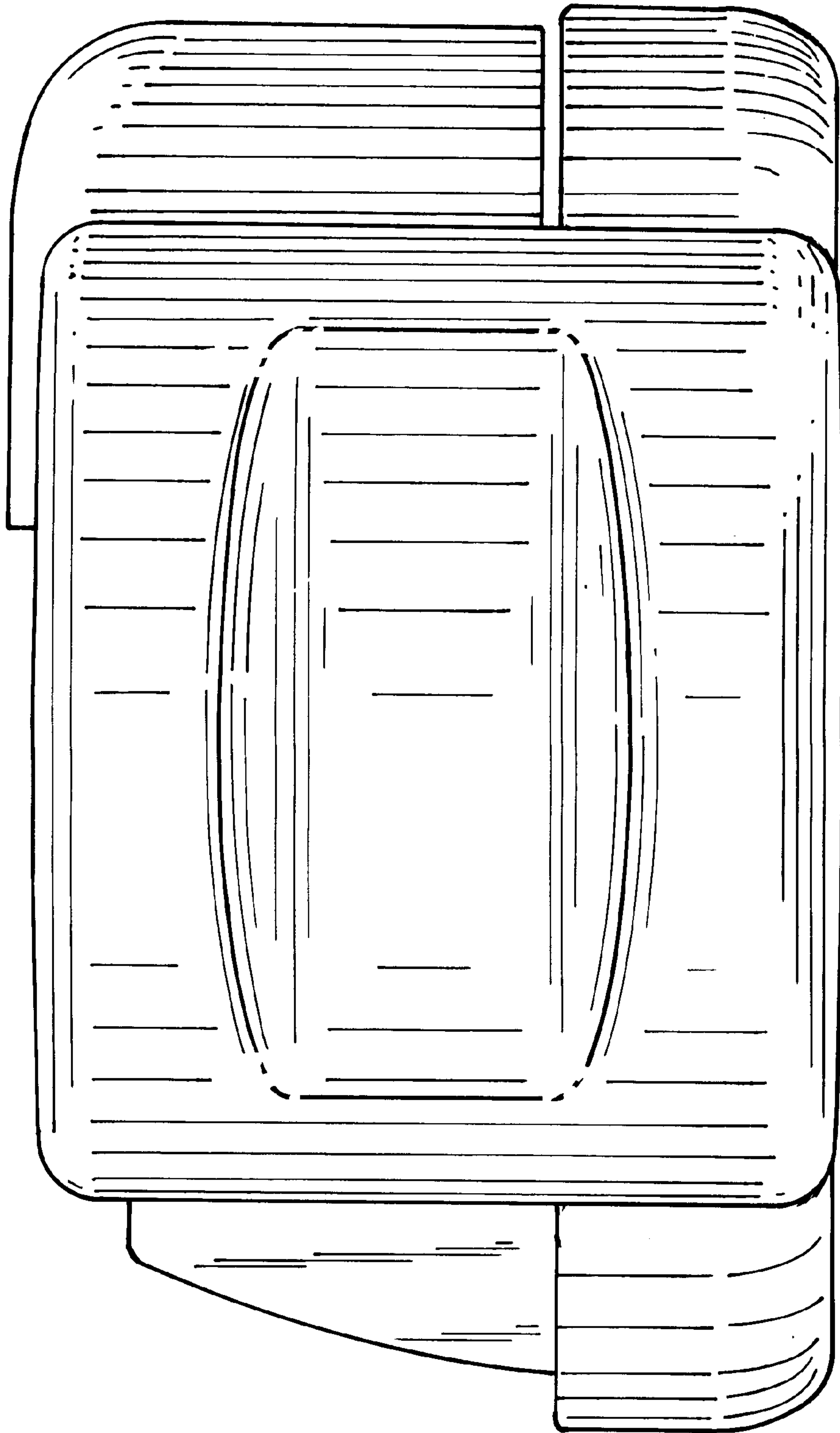


Fig. 6

Fig. 7

