



US00D487573S

(12) **United States Design Patent**
Yang

(10) **Patent No.:** **US D487,573 S**

(45) **Date of Patent:** **** Mar. 16, 2004**

(54) **HAND ELECTRIC CONTROL DEVICE**

D410,232 S * 5/1999 Yang D14/405

(76) **Inventor:** **Tai-Her Yang**, 6F-5 No. 250, Sec. 4,
Chung Hsiao E. Rd., Taipei (TW)

* cited by examiner

(**) **Term:** **14 Years**

Primary Examiner—Kay H. Chin

(74) *Attorney, Agent, or Firm*—Bacon & Thomas, PLLC

(21) **Appl. No.:** **29/152,382**

(57) **CLAIM**

(22) **Filed:** **Dec. 20, 2001**

I claim the ornamental design for a hand electric control device, as shown and described.

(51) **LOC (7) Cl.** **14-02**

DESCRIPTION

(52) **U.S. Cl.** **D14/417; D14/405**

(58) **Field of Search** D14/402-410,
D14/417; 200/5 R, 5 A, 6 R, 6 A; 273/148 B;
345/156-167; 74/471 XY; 463/36, 37, 38

FIG. 1 is a perspective view of a hand electric control device showing my new design.

FIG. 2 is a front view thereof.

FIG. 3 is a rear view thereof;

FIG. 4 is a left side view thereof.

FIG. 5 is a right side view thereof.

FIG. 6 is a top view thereof; and,

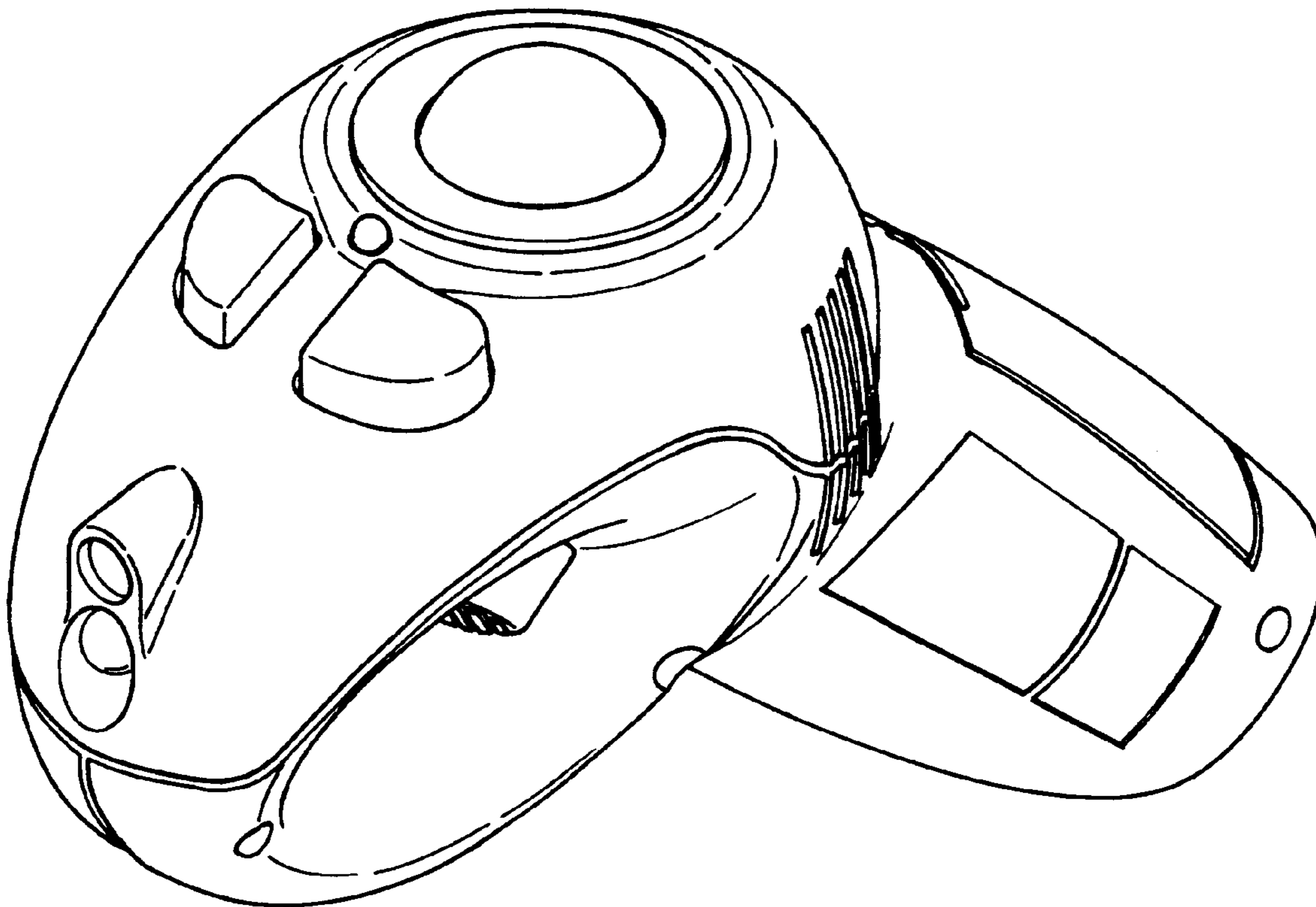
FIG. 7 is a bottom view thereof.

(56) **References Cited**

U.S. PATENT DOCUMENTS

- D367,047 S * 2/1996 Hood et al. D14/405
- D367,272 S * 2/1996 Hood et al. D14/405
- D409,595 S * 5/1999 Yang D14/417

1 Claim, 4 Drawing Sheets



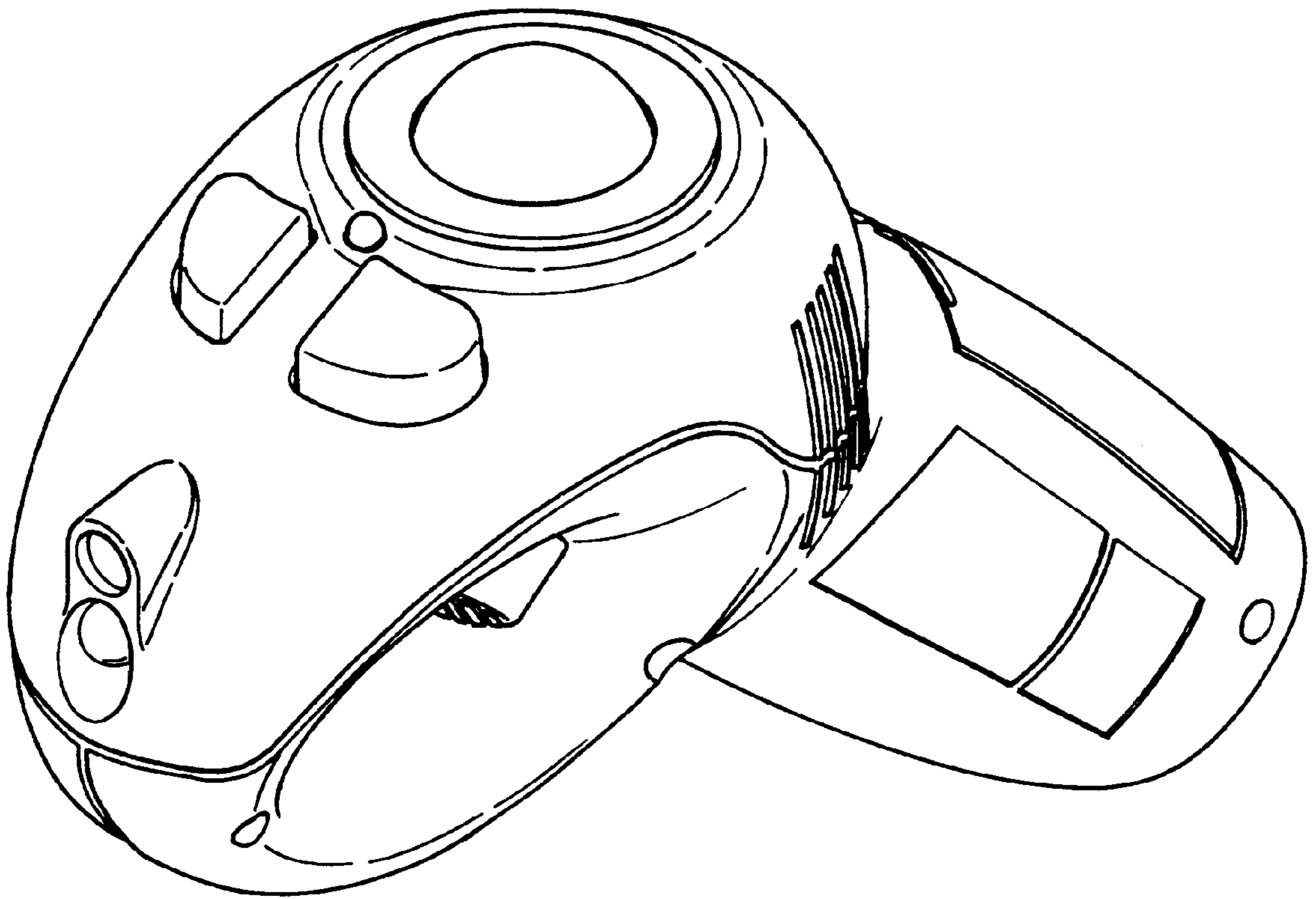


FIG 1

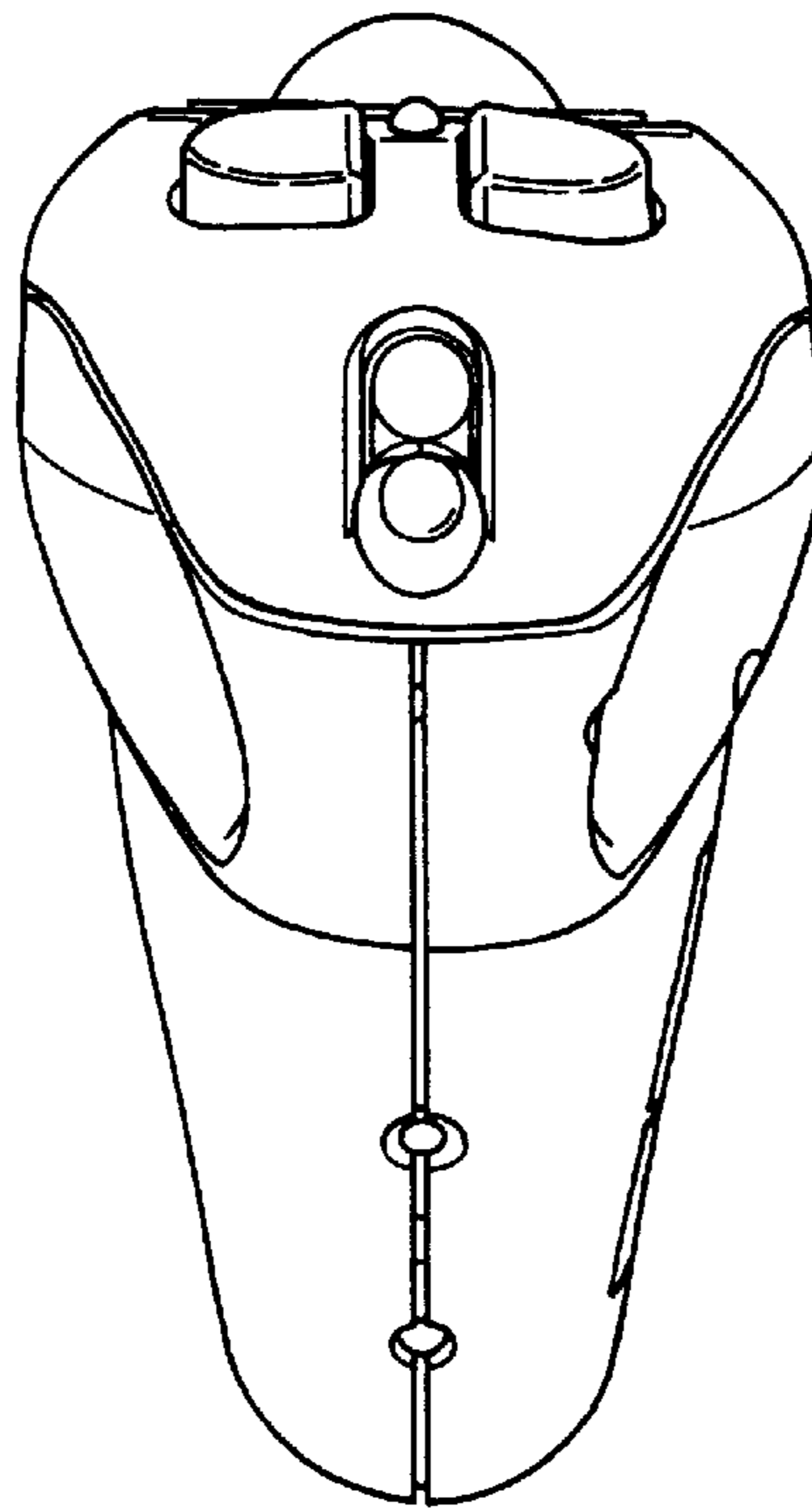


FIG 2

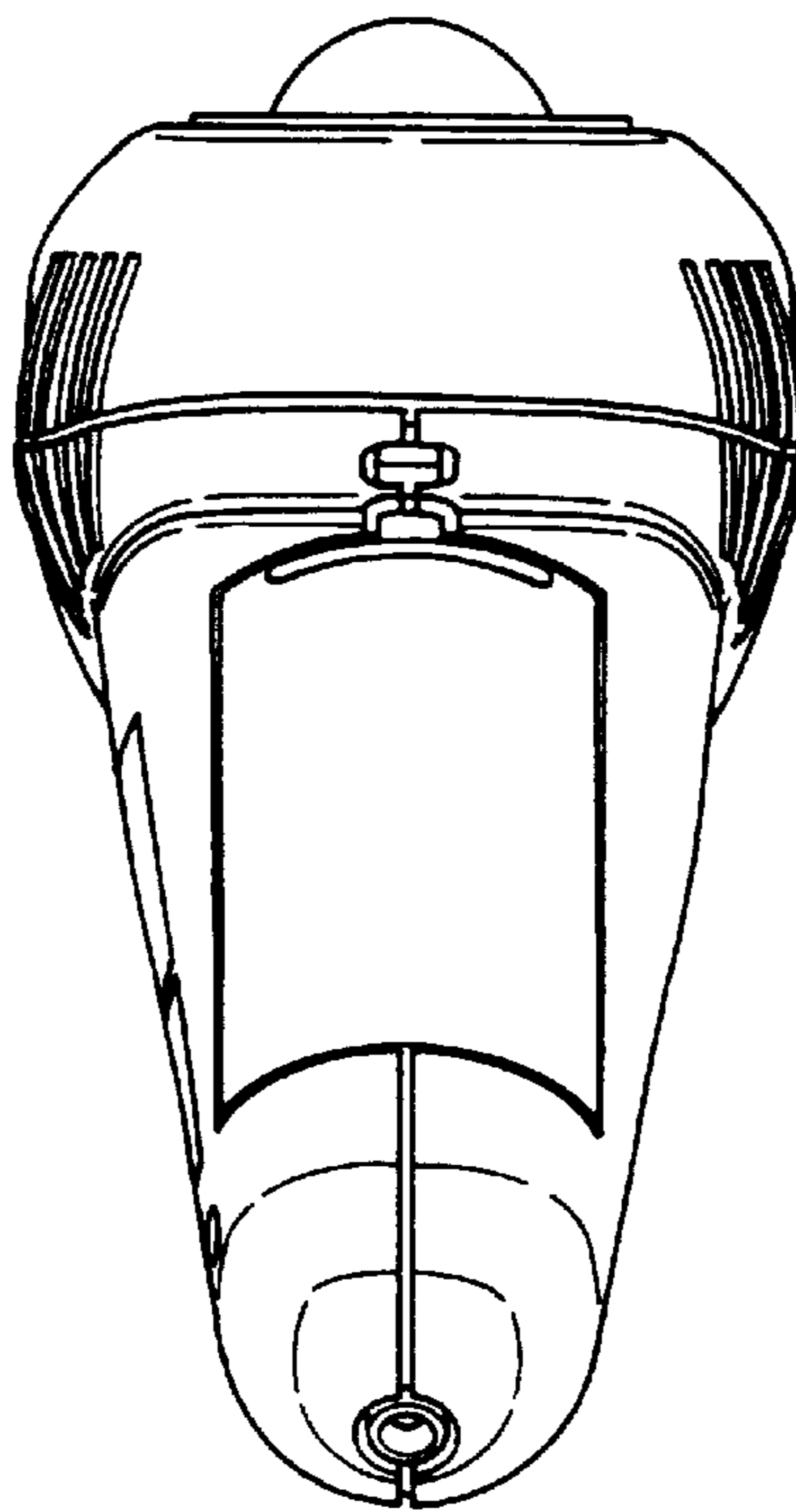


FIG 3

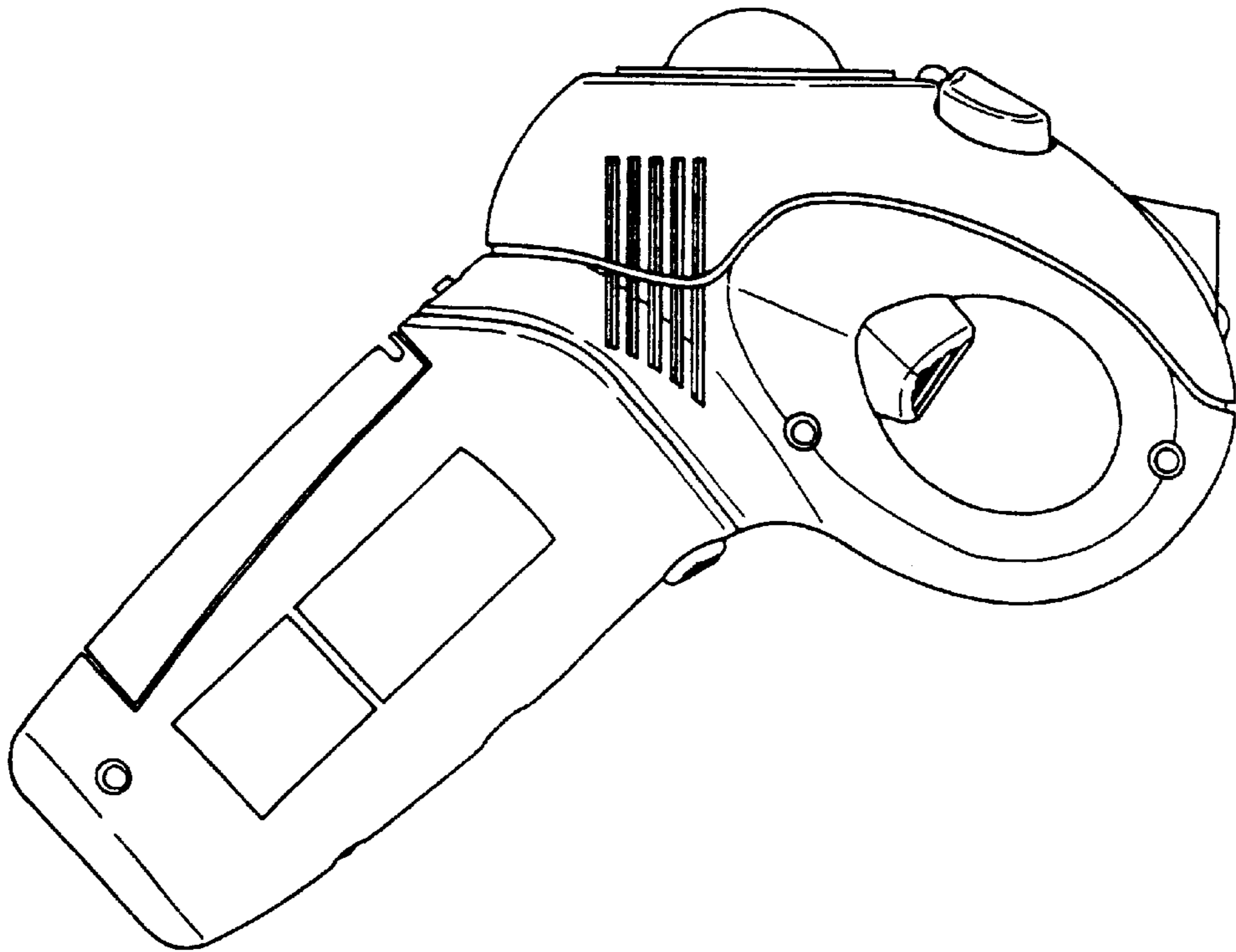


FIG 4

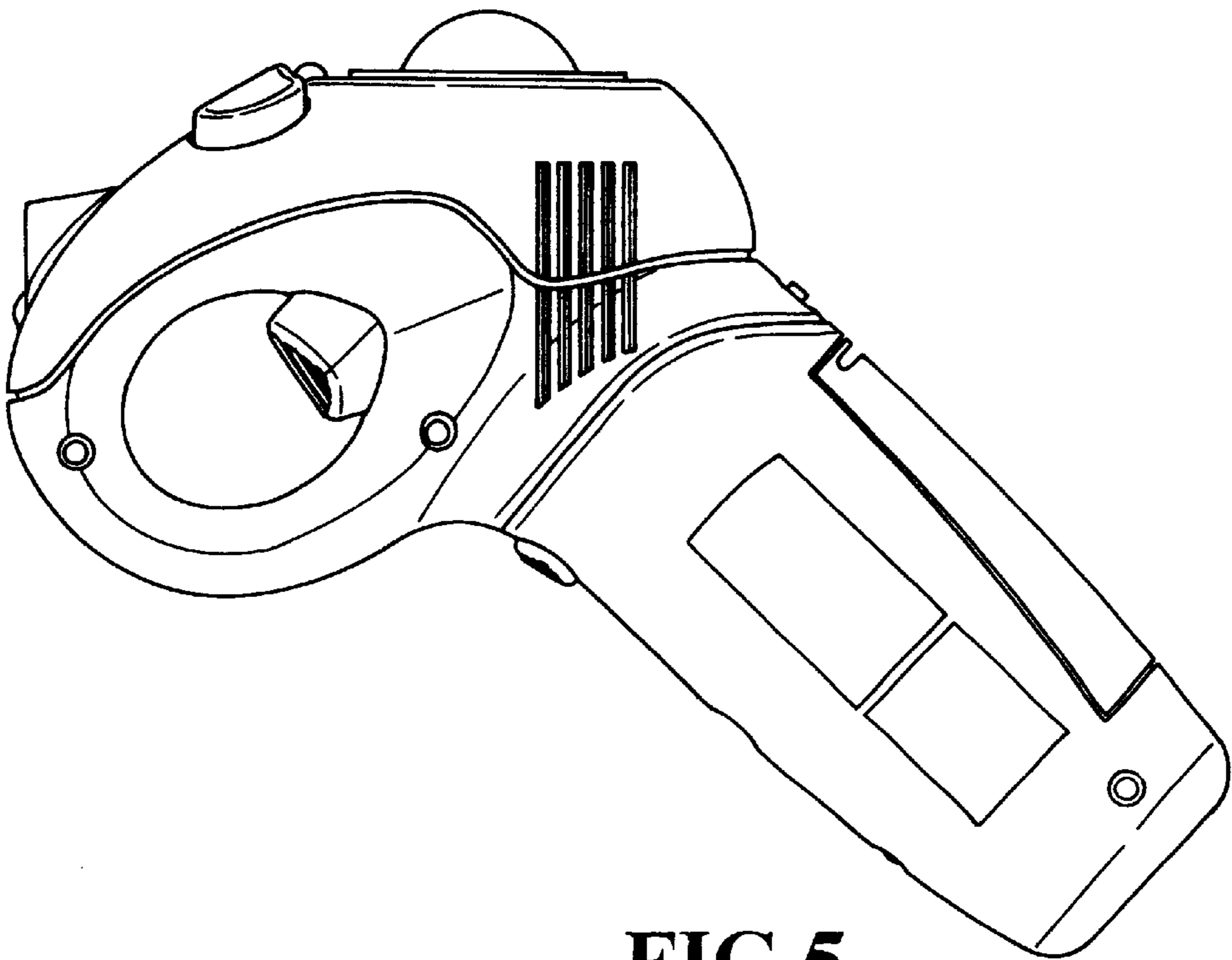


FIG 5

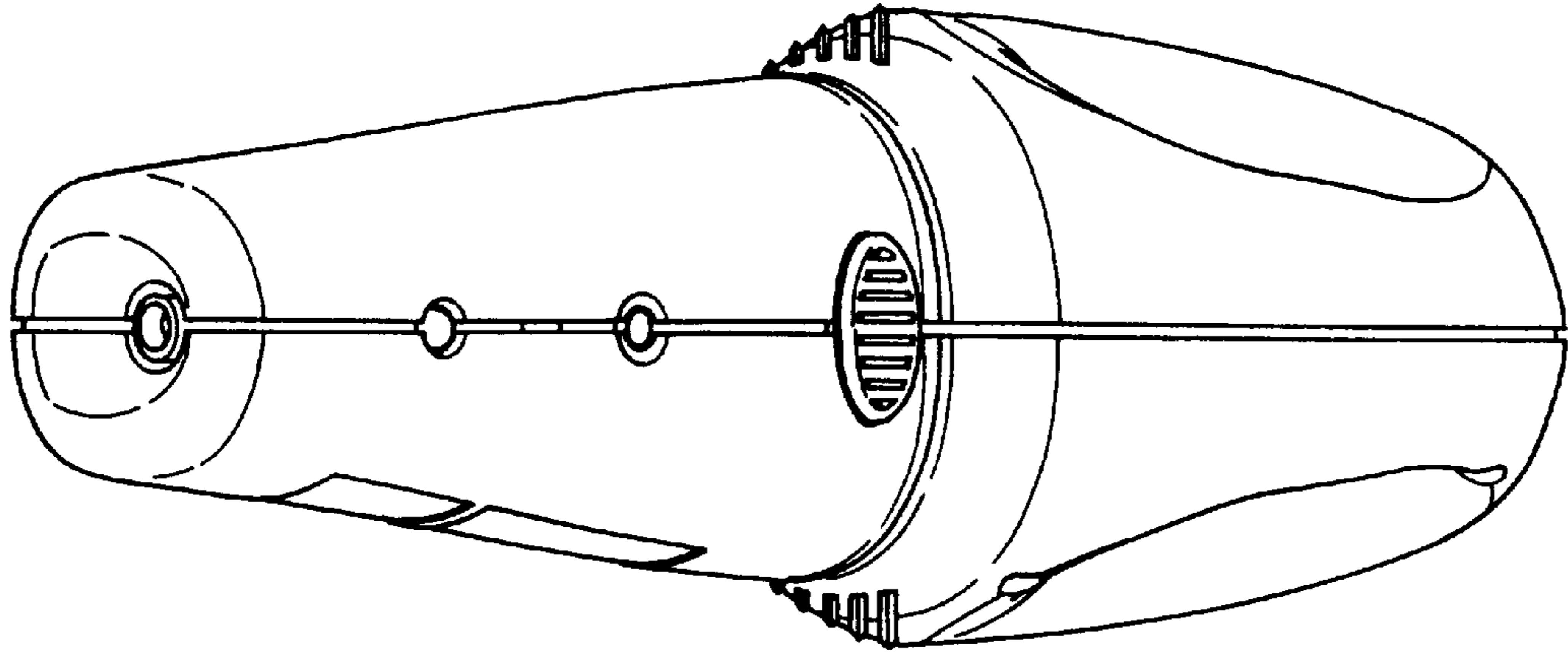


FIG 7

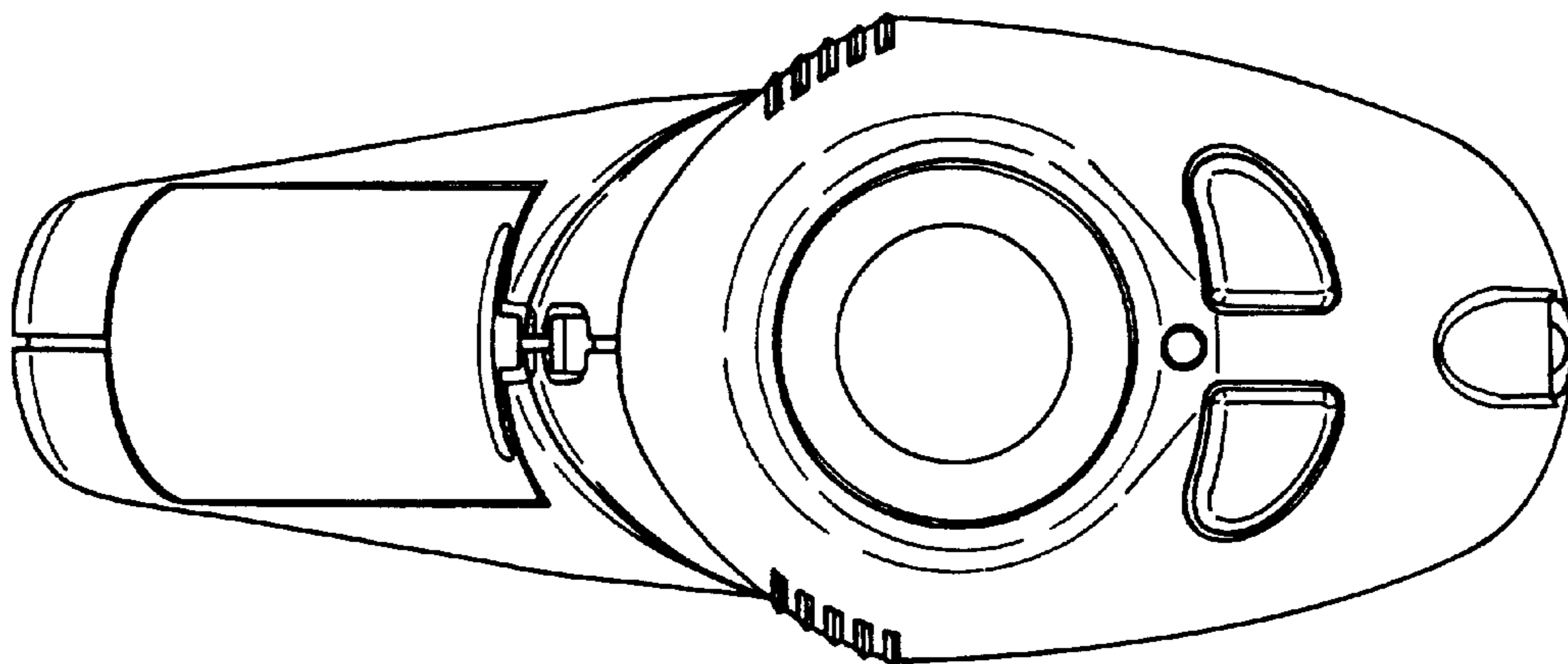


FIG 6