



US00D487570S

(12) **United States Design Patent**  
**Ito et al.**

(10) **Patent No.:** **US D487,570 S**

(45) **Date of Patent:** **\*\* Mar. 16, 2004**

(54) **BATTERY CHARGER**

(75) Inventors: **Katsuyasu Ito, Anjo (JP); Kiyozumi Kokawa, Anjo (JP)**

(73) Assignee: **Makita Corporation, Aichi-ken (JP)**

(\*\*) Term: **14 Years**

(21) Appl. No.: **29/182,559**

(22) Filed: **May 29, 2003**

(30) **Foreign Application Priority Data**

Dec. 6, 2002 (JP) ..... 2002-036968

(51) **LOC (7) Cl.** ..... **13-02**

(52) **U.S. Cl.** ..... **D13/107**

(58) **Field of Search** ..... D13/107, 108,  
D13/110, 118; 320/110-115

(56) **References Cited**

**U.S. PATENT DOCUMENTS**

- D271,391 S \* 11/1983 Scheid ..... D13/107
- D409,976 S \* 5/1999 Buck ..... D13/107
- D427,145 S \* 6/2000 Singh et al. .... D13/107
- D427,564 S \* 7/2000 Wu ..... D13/107
- D442,140 S 5/2001 Kasuya et al.

- 6,346,793 B1 \* 2/2002 Shibata et al. .... 320/113
- D461,447 S \* 8/2002 Nawrozki ..... D13/107
- D462,657 S \* 9/2002 Kaneko ..... D13/107
- D472,875 S \* 4/2003 Garvis et al. .... D13/107

\* cited by examiner

*Primary Examiner*—Joel Sincavage

(74) *Attorney, Agent, or Firm*—Dennison, Schultz & Dougherty

(57) **CLAIM**

The ornamental design for a battery charger, as shown and described.

**DESCRIPTION**

FIG. 1 is a perspective view of a battery charger showing our new design.

FIG. 2 is a front elevation view thereof;

FIG. 3 is a rear elevation view thereof;

FIG. 4 is a left side elevation view thereof;

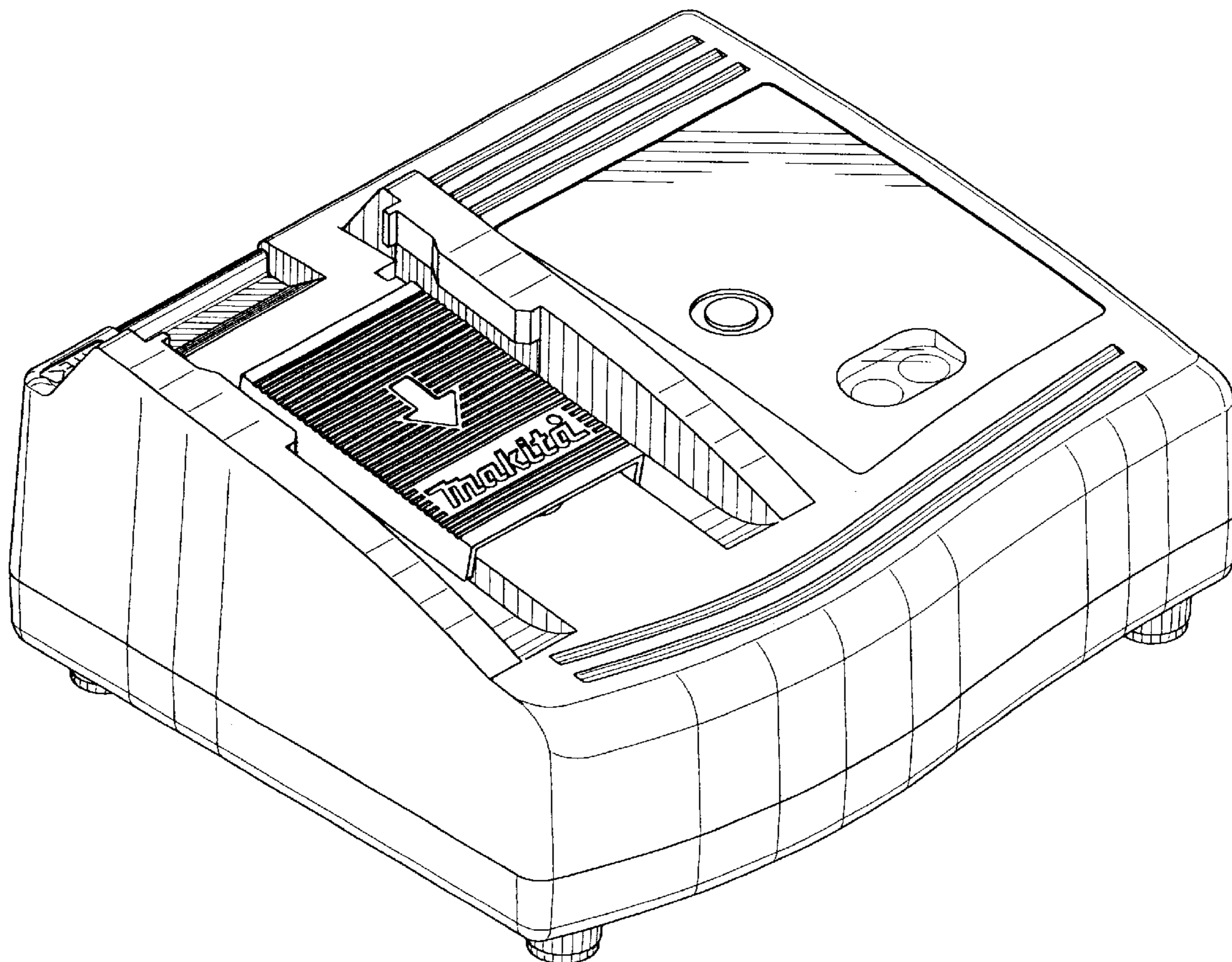
FIG. 5 is a right side elevation view thereof;

FIG. 6 is a top plan view thereof; and,

FIG. 7 is a bottom view thereof.

The broken lines in FIG. 7 are included for the purpose of illustrating a portion of the charger that forms no part of the claimed design.

**1 Claim, 5 Drawing Sheets**



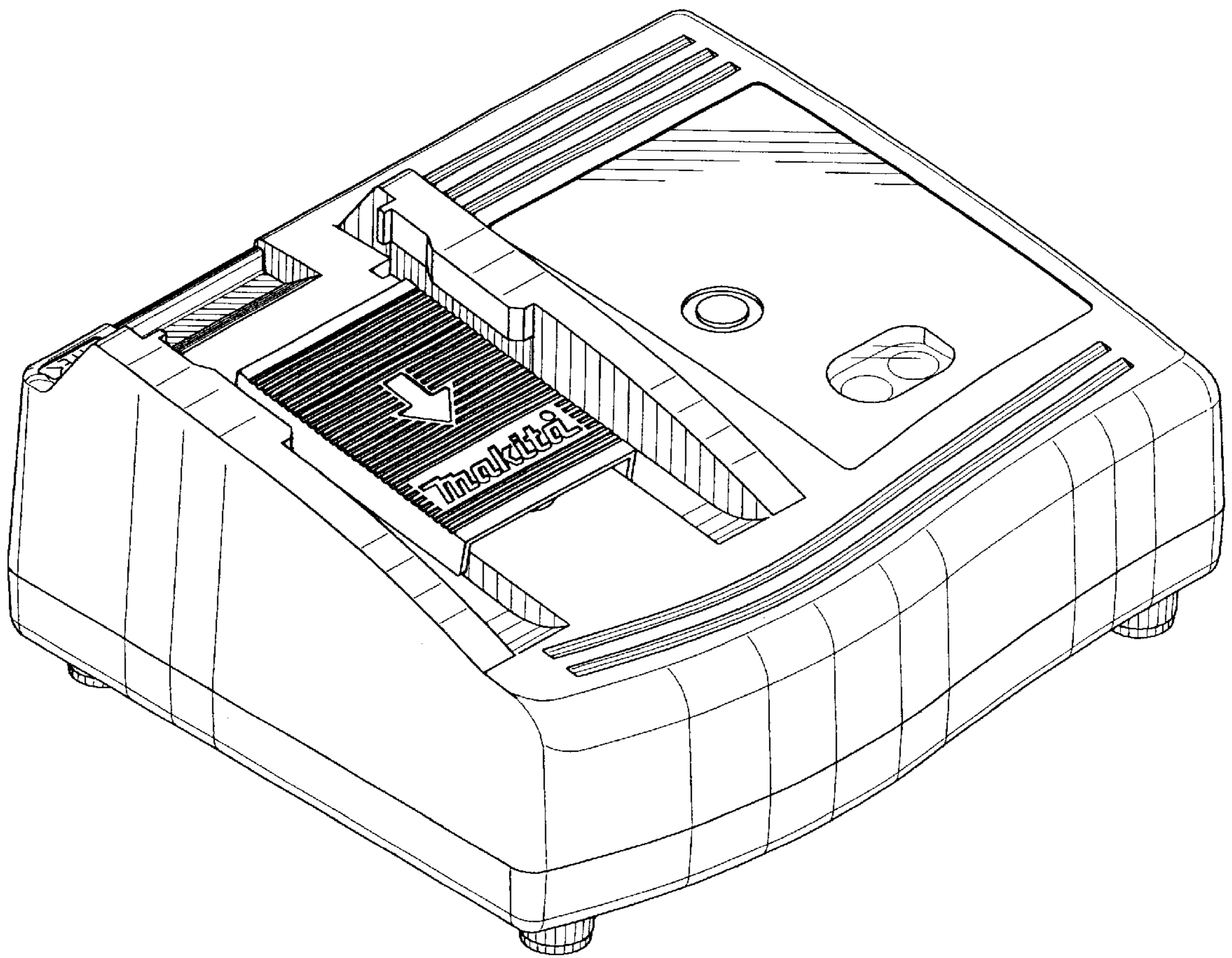


FIG. 1

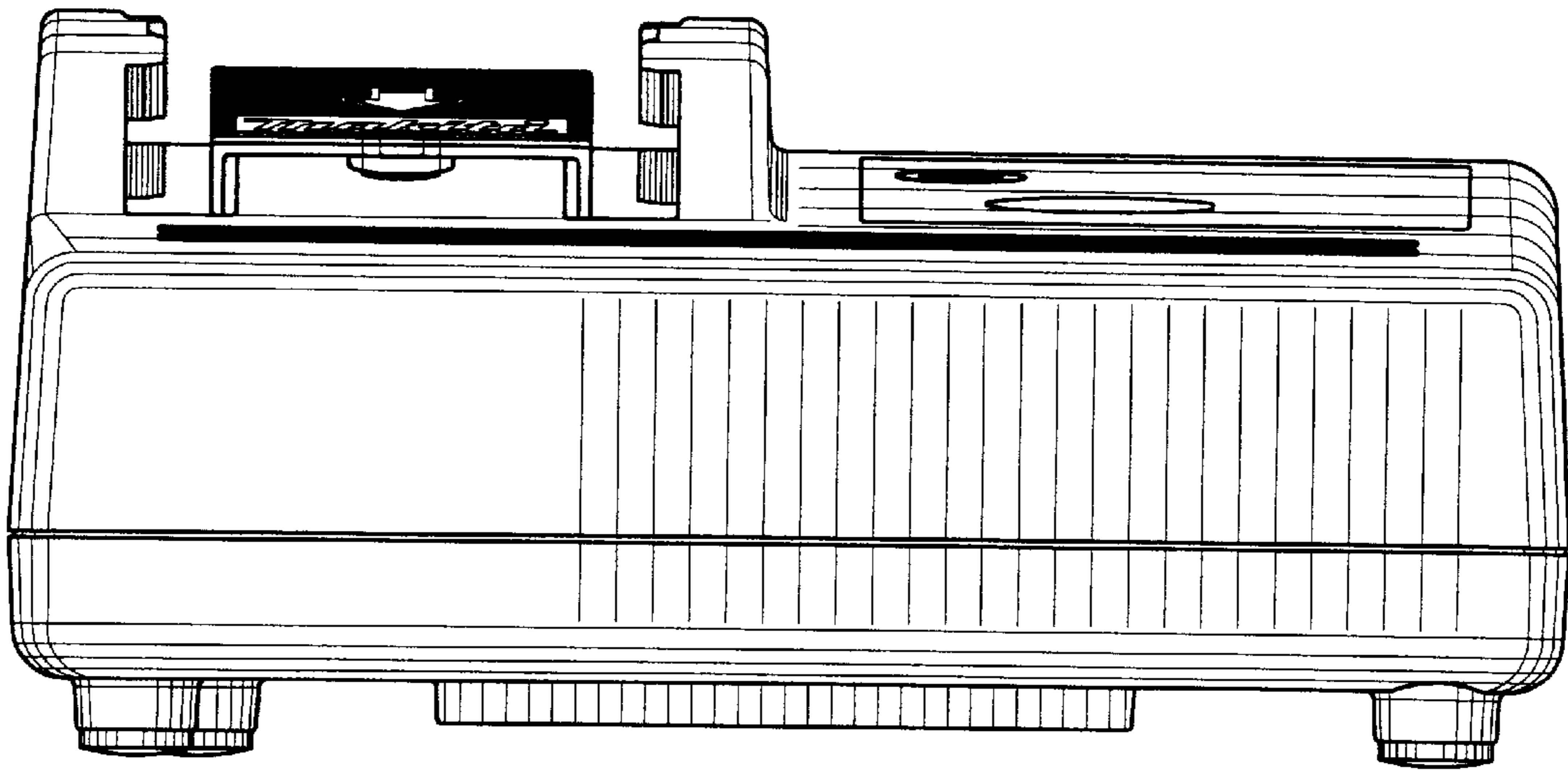


FIG. 2

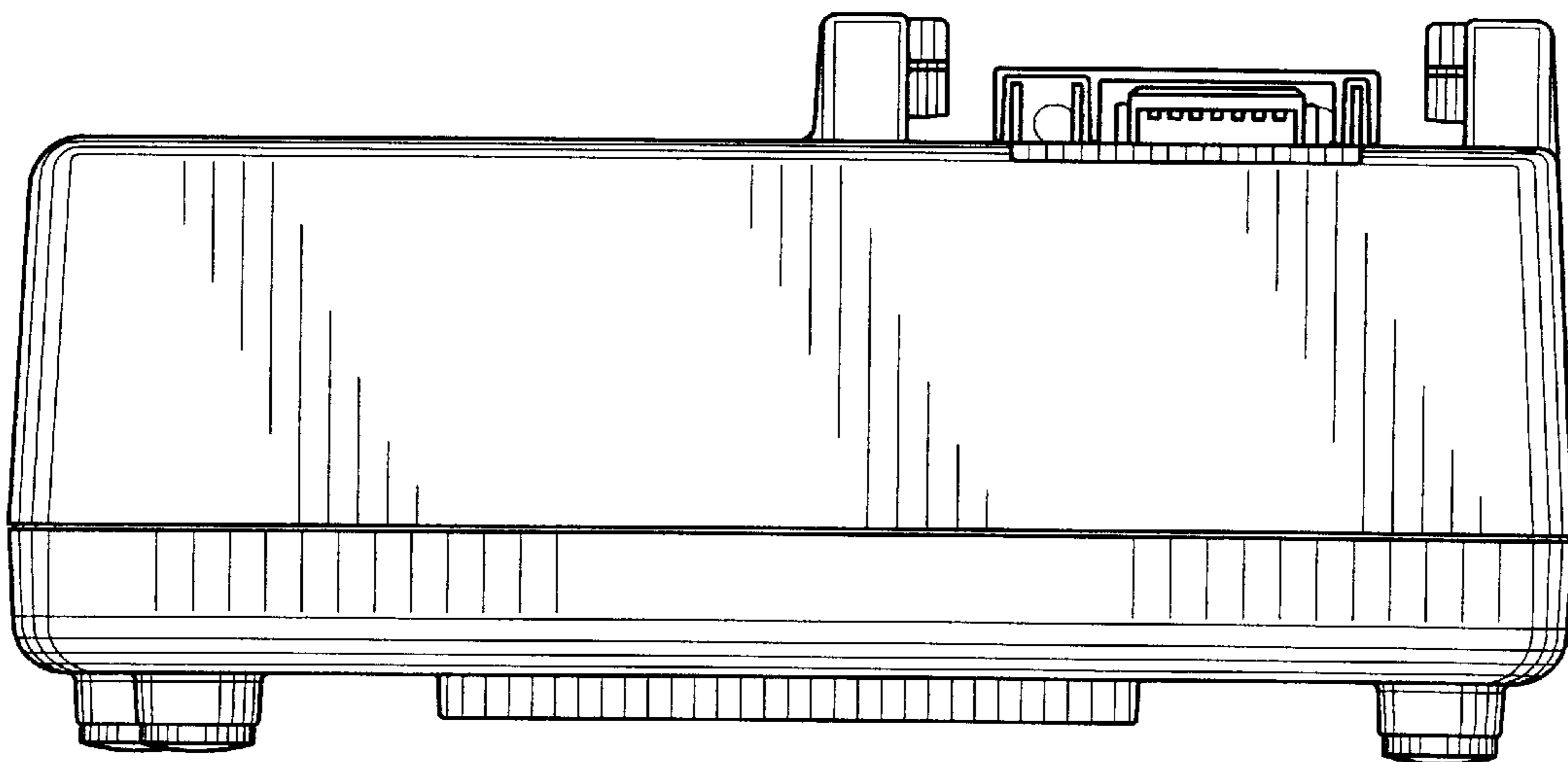


FIG. 3

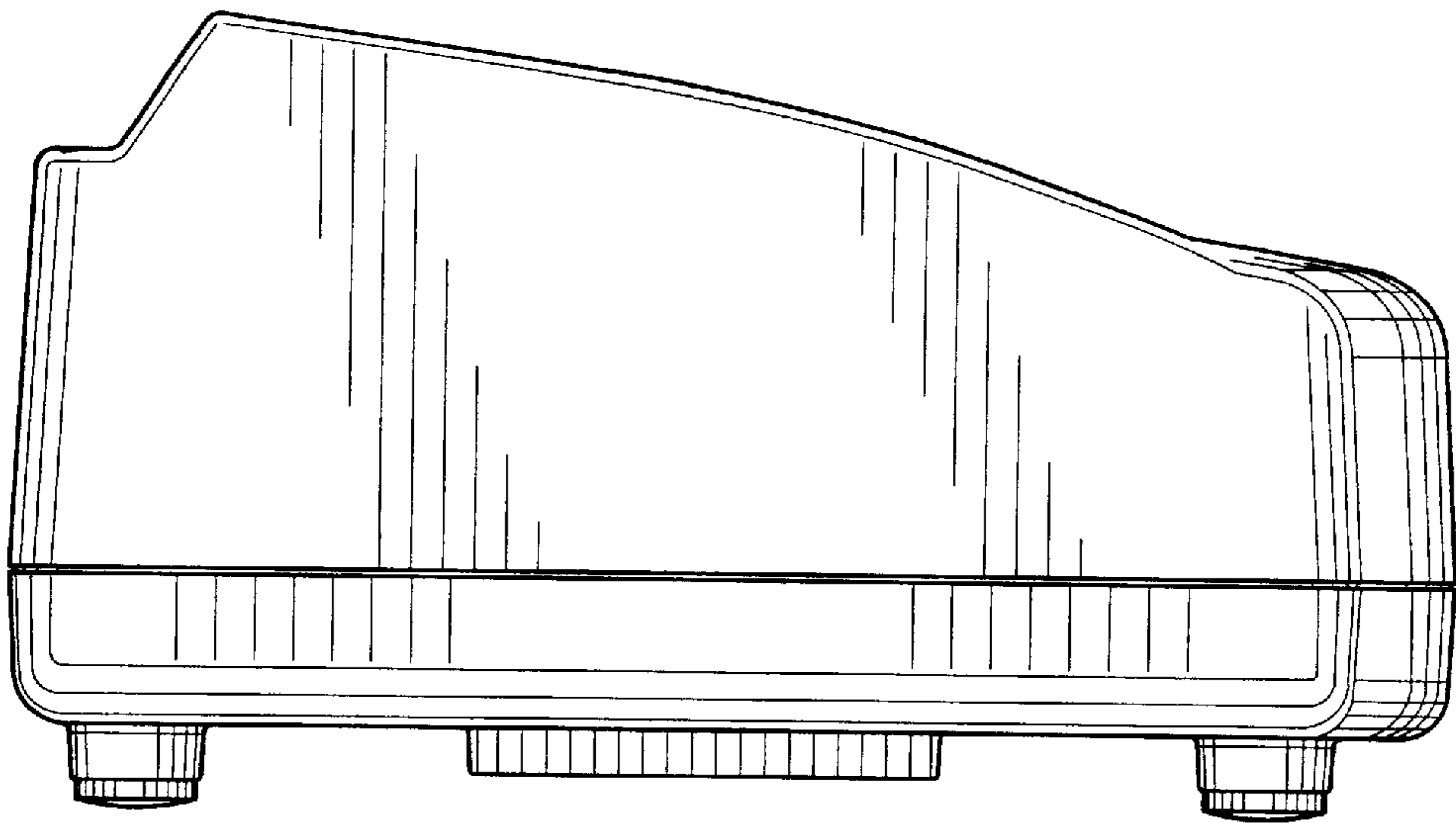


FIG. 4

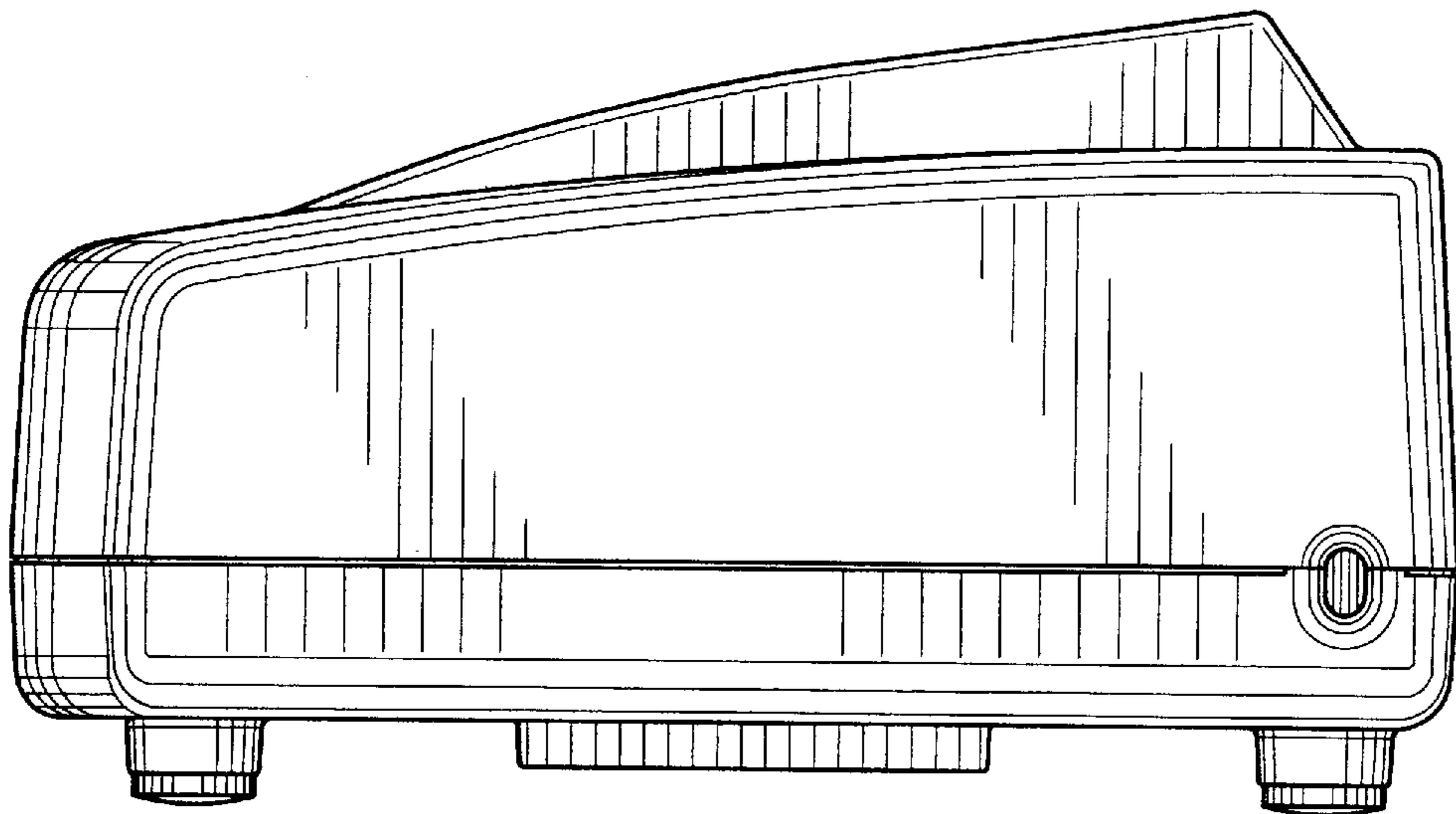


FIG. 5

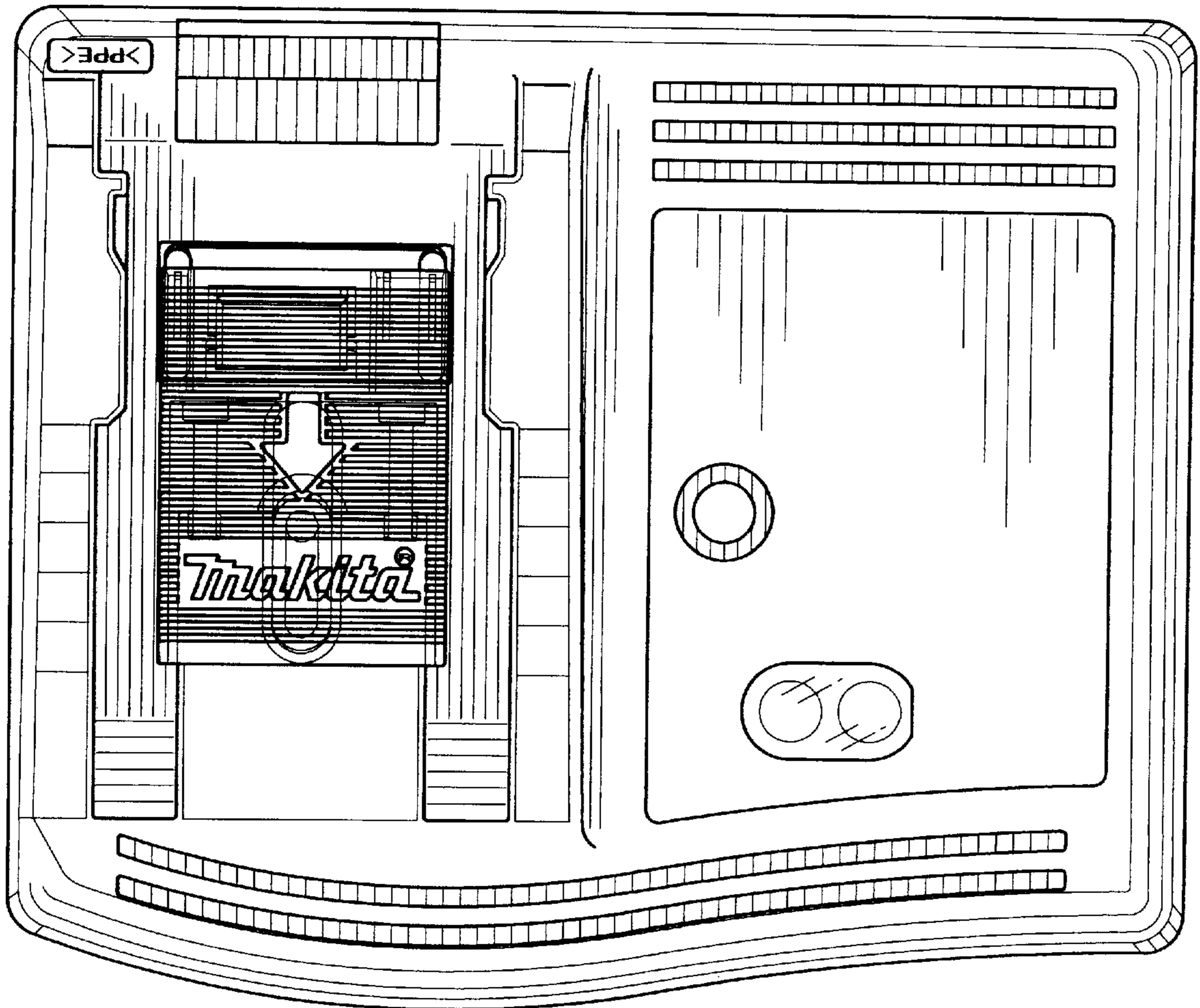


FIG. 6

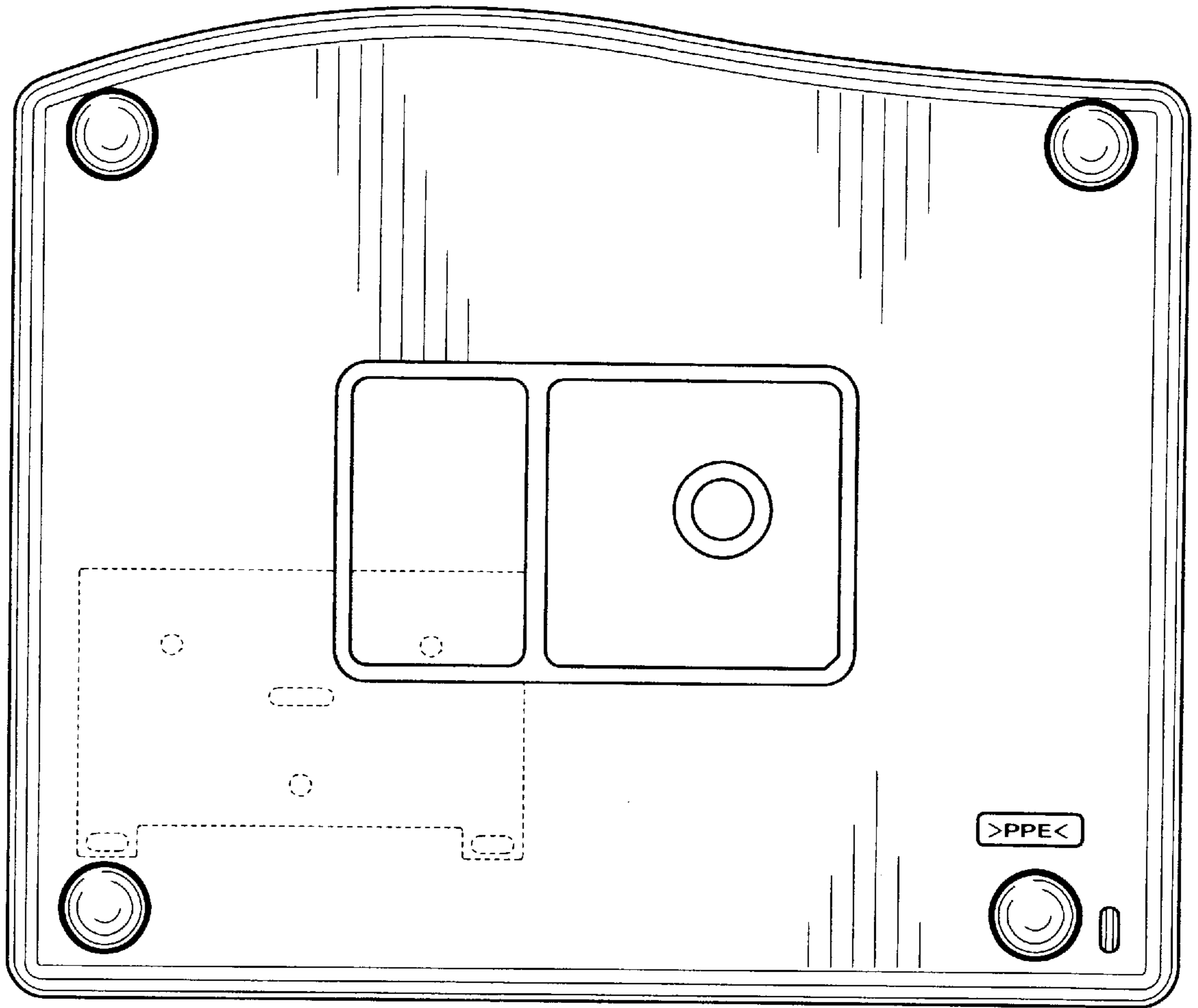


FIG. 7