



US00D487569S

(12) **United States Design Patent**  
**Laengerer**

(10) **Patent No.:** **US D487,569 S**  
(45) **Date of Patent:** **\*\* Mar. 16, 2004**

(54) **FRONT FACE OF A VEHICLE WHEEL**

(75) Inventor: **Marcus Laengerer**, Renningen (DE)

(73) Assignee: **DaimlerChrysler AG**, Stuttgart (DE)

(\*\*) Term: **14 Years**

(21) Appl. No.: **29/151,000**

(22) Filed: **Dec. 4, 2001**

(65) **Prior Publication Data**

(65)

(30) **Foreign Application Priority Data**

Jun. 18, 2001 (DE) ..... 401 05 357

(51) **LOC (7) Cl.** ..... **12-16**

(52) **U.S. Cl.** ..... **D12/211**

(58) **Field of Search** ..... D12/204-211;  
301/37.101, 64.101, 65

(56) **References Cited**

**U.S. PATENT DOCUMENTS**

D84,318 S	*	6/1931	Beutke et al.	.....	D12/211
D337,563 S	*	7/1993	Boselli	.....	D12/209
D339,561 S	*	9/1993	Maiworm et al.	.....	D12/211
D344,924 S	*	3/1994	Braungart et al.	.....	D12/211
D363,910 S	*	11/1995	Chung	.....	D12/209
D388,047 S	*	12/1997	Pfeiffer et al.	.....	D12/211
D393,825 S	*	4/1998	Fike	.....	D12/209

D408,346 S	*	4/1999	Goplen	.....	D12/211
D418,799 S	*	1/2000	Chung	.....	D12/211
D425,850 S	*	5/2000	Chung	.....	D12/211
D440,534 S	*	4/2001	Ivanova et al.	.....	D12/211
D441,339 S	*	5/2001	Hussaini et al.	.....	D12/211
D444,119 S	*	6/2001	Brintouch	.....	D12/211
D450,030 S	*	11/2001	Pfeiffer	.....	D12/211
D455,702 S	*	4/2002	Cullen	.....	D12/211
D456,332 S	*	4/2002	Vian	.....	D12/211
D457,119 S	*	5/2002	Braun et al.	.....	D12/211
D471,852 S	*	3/2003	Pfeiffer et al.	.....	D12/211
D473,836 S	*	4/2003	Laengerer	.....	D12/211
D476,284 S	*	6/2003	Pfeiffer et al.	.....	D12/211

\* cited by examiner

*Primary Examiner*—Stacia Cadmus

(74) *Attorney, Agent, or Firm*—Crowell & Moring LLP

(57) **CLAIM**

The ornamental design for a front face of a vehicle wheel, as shown and described.

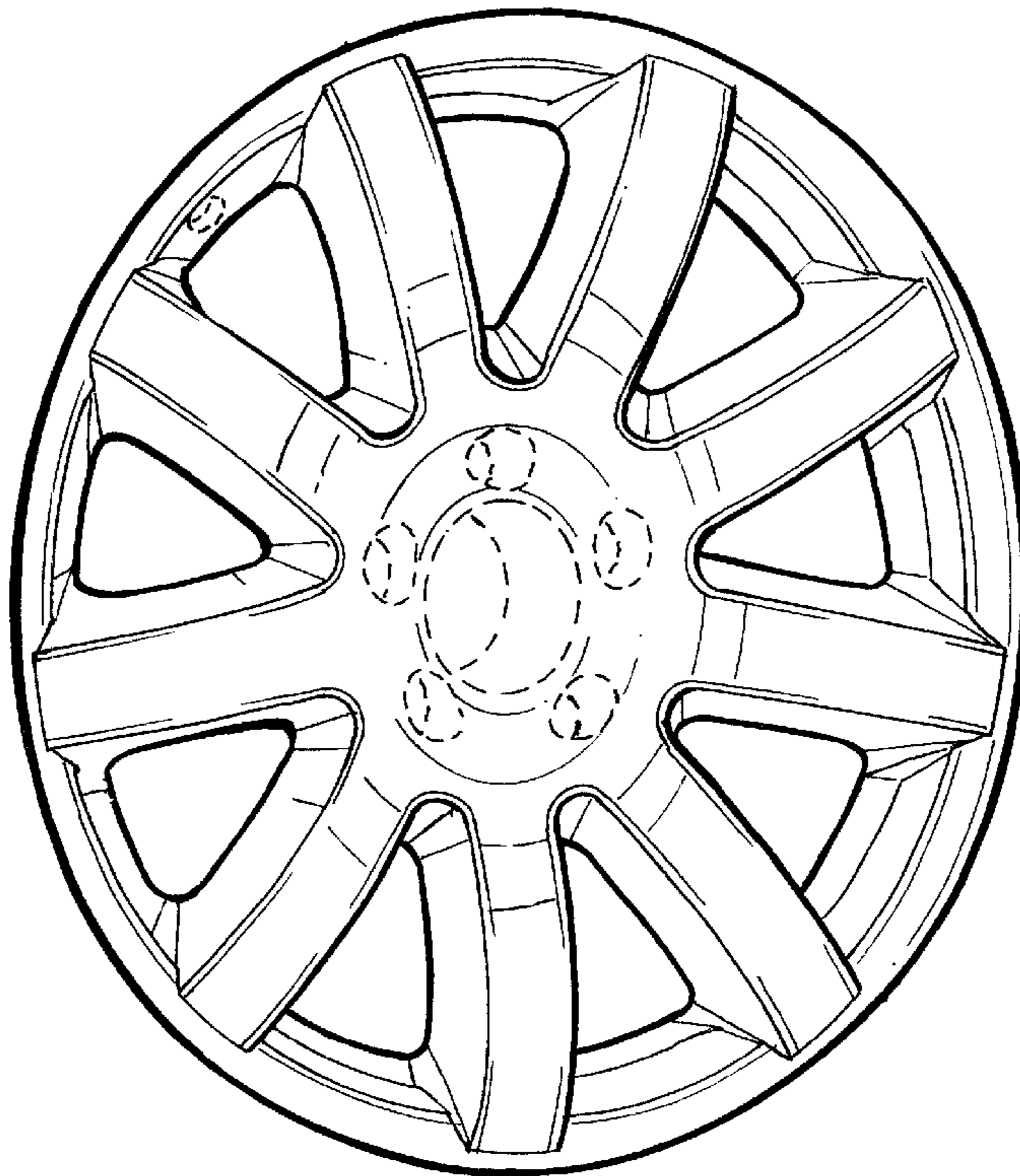
**DESCRIPTION**

FIG. 1 is a front view of a front face of a vehicle wheel according to my novel design; and,

FIG. 2 is a perspective view of the front face of a vehicle wheel according to my novel design.

The dash lines included depict environment and are not part of the claimed design.

**1 Claim, 1 Drawing Sheet**



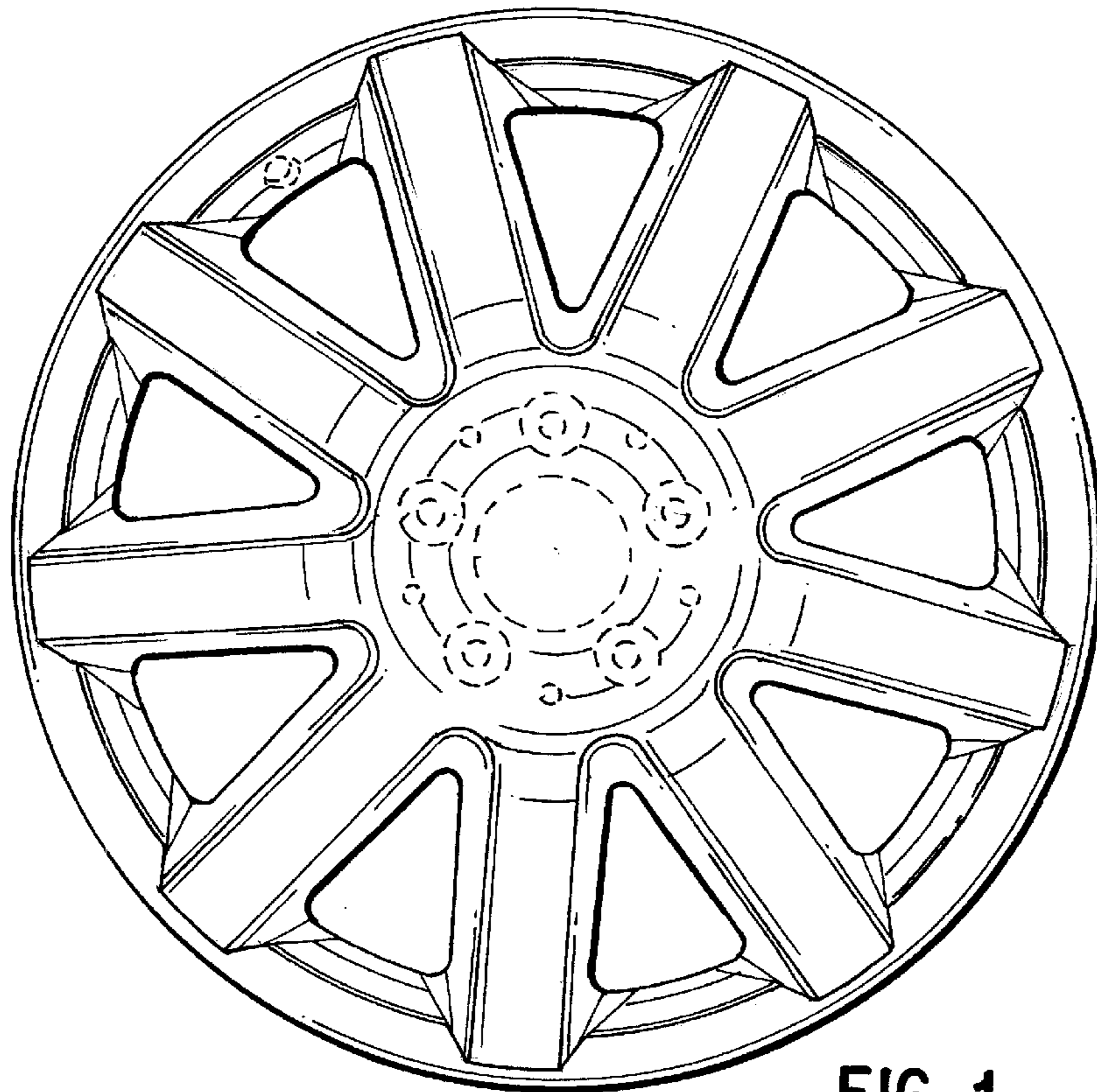


FIG. 1

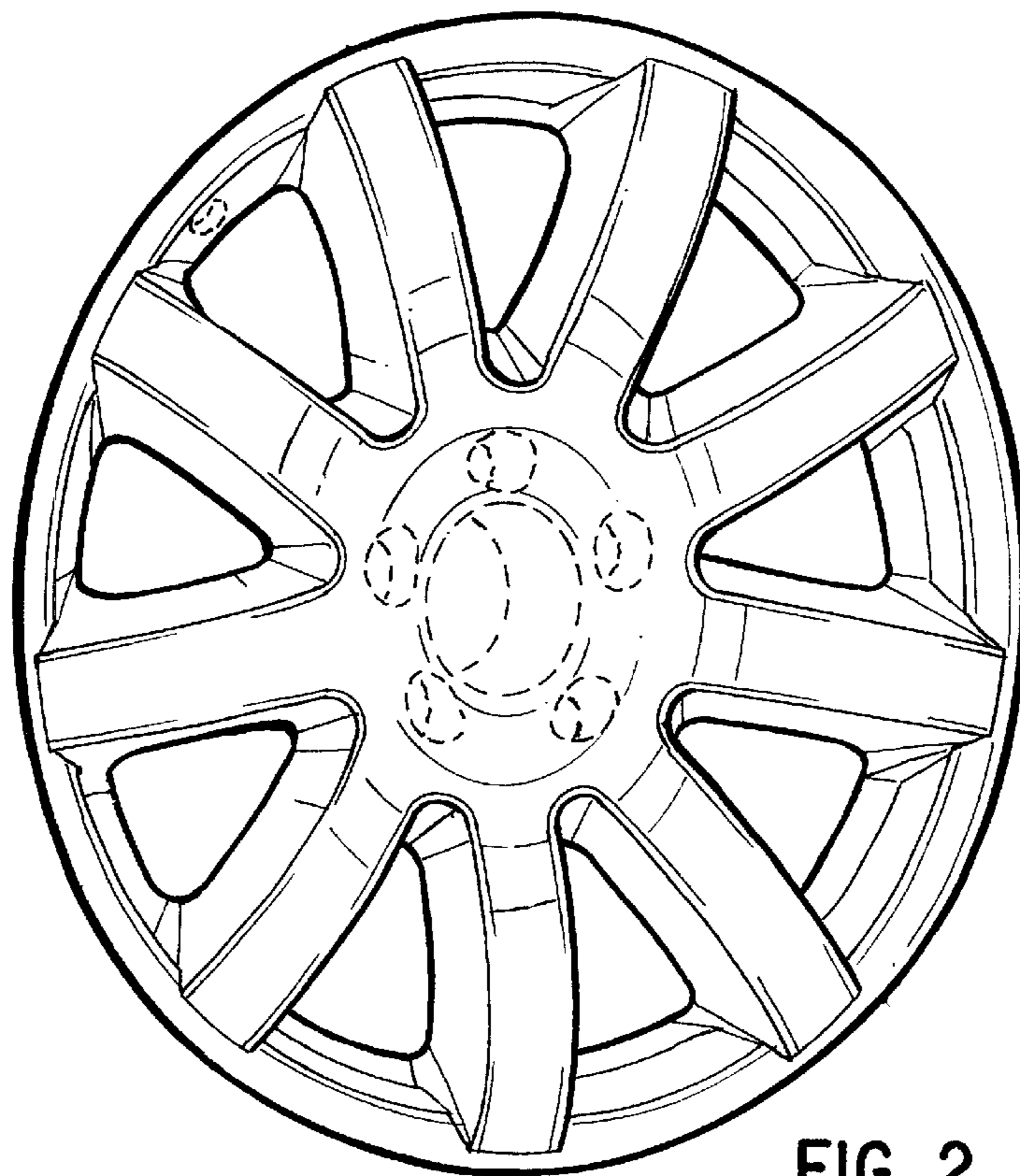


FIG. 2