



US00D487568S

(12) **United States Design Patent**  
**Min**

(10) **Patent No.:** **US D487,568 S**

(45) **Date of Patent:** **\*\* Mar. 16, 2004**

(54) **AUTOMOTIVE WHEEL**

(75) **Inventor:** **Kyunghee Min, Suwon (KR)**

(73) **Assignee:** **Nano Castec Corp (KR)**

(\*\*) **Term:** **14 Years**

(21) **Appl. No.:** **29/163,284**

(22) **Filed:** **Jul. 2, 2002**

(51) **LOC (7) Cl.** ..... **12-16**

(52) **U.S. Cl.** ..... **D12/209**

(58) **Field of Search** ..... **D12/204-211;**  
**301/37.101, 64.101, 65**

D442,535 S	*	5/2001	Lotson	.....	D12/209
D445,390 S	*	7/2001	Wartono	.....	D12/209
D455,387 S	*	4/2002	McMath	.....	D12/209
D457,477 S	*	5/2002	Chung	.....	D12/209
D457,848 S	*	5/2002	Lee	.....	D12/209
D460,034 S	*	7/2002	Takechi	.....	D12/209

\* cited by examiner

*Primary Examiner*—Stacia Cadmus

(74) *Attorney, Agent, or Firm*—G. Donald Weber, Jr.

(57) **CLAIM**

The ornamental design for an automotive wheel, as shown and described.

**DESCRIPTION**

FIG. 1 is an oblique view of the automotive wheel of the instant invention; and,

FIG. 2 is a side elevation view of the automotive wheel of the instant invention.

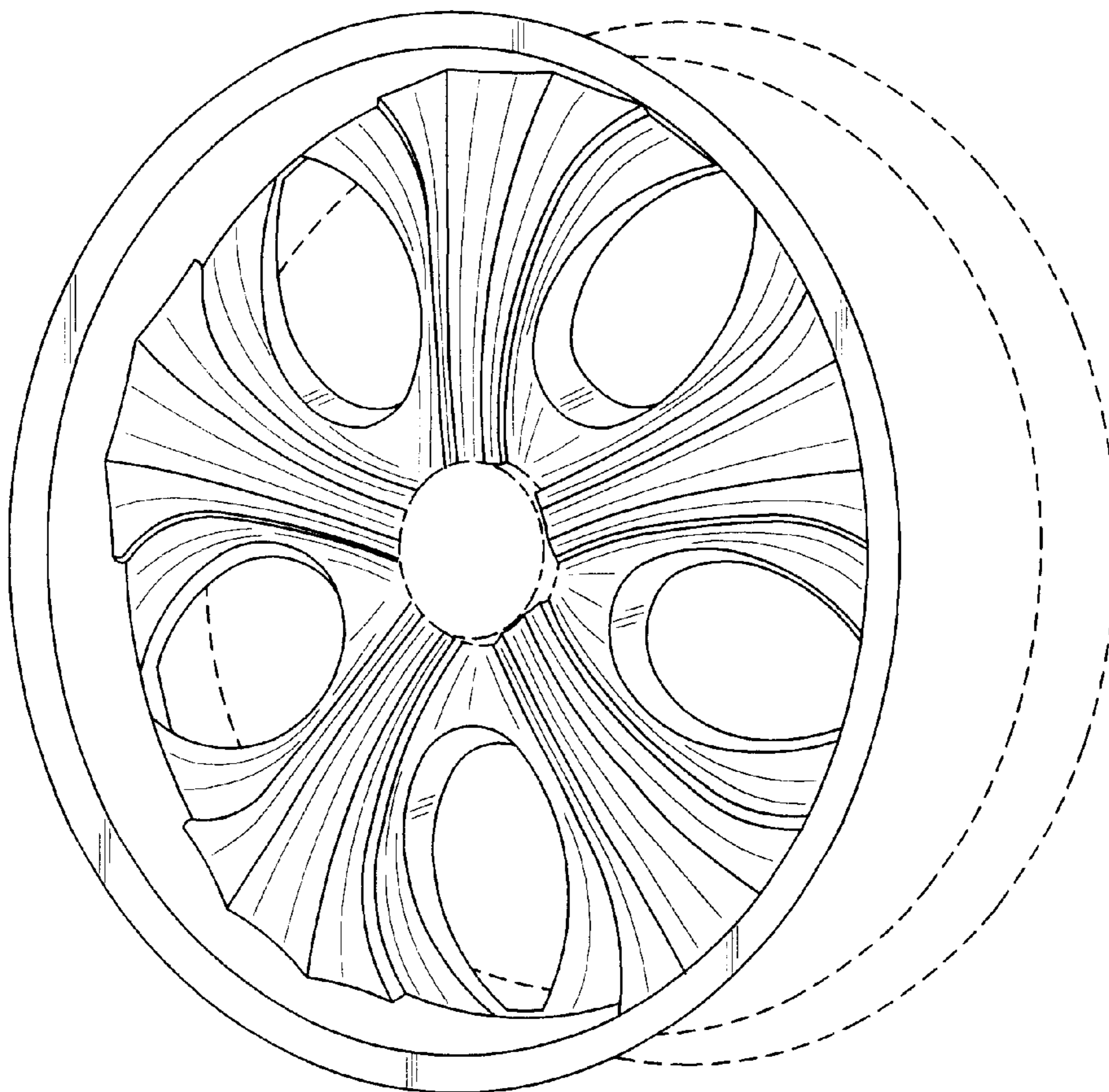
The broken line showing of environment is for illustrative purposes only and forms no part of the claimed design.

**1 Claim, 1 Drawing Sheet**

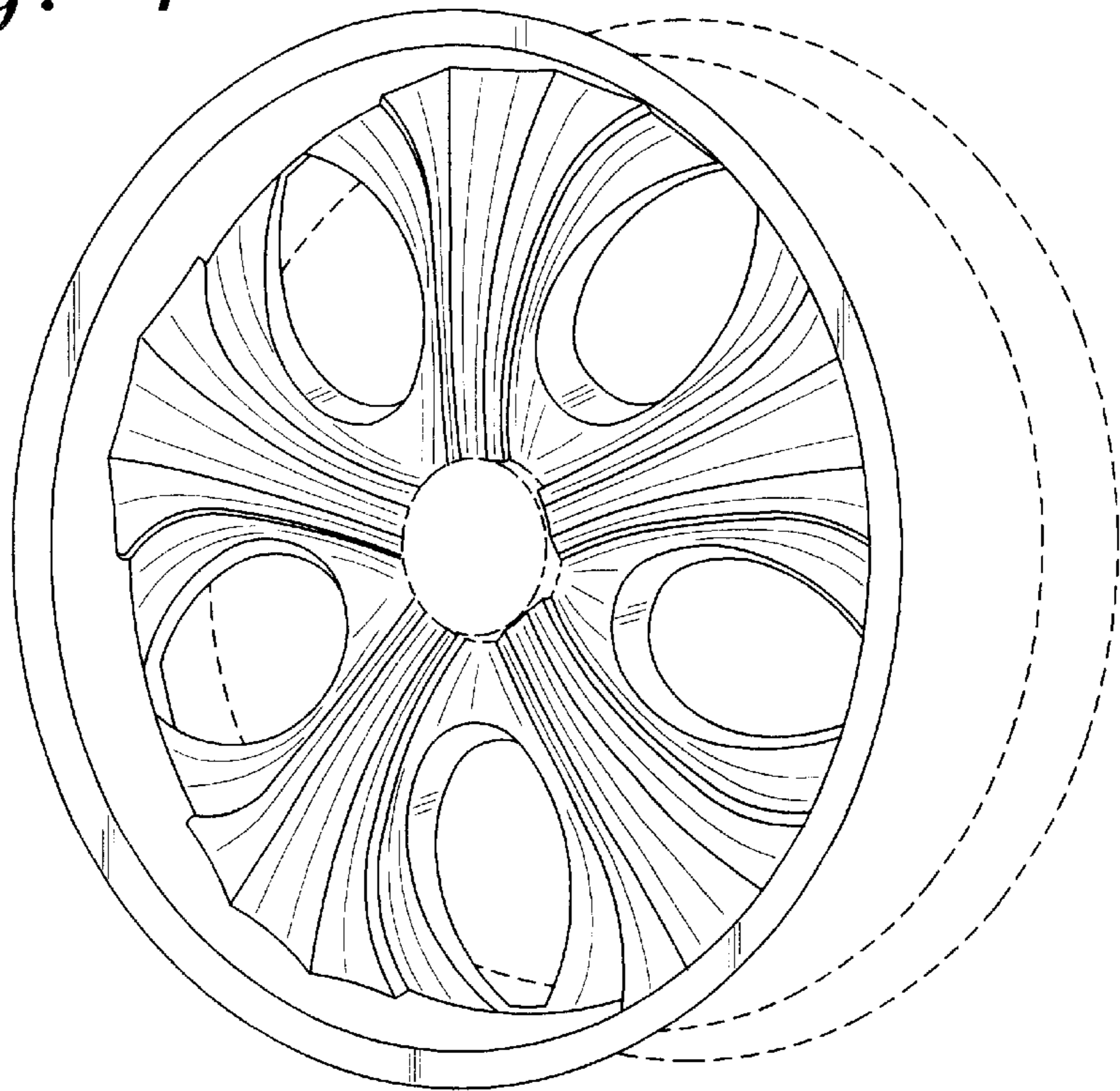
(56) **References Cited**

**U.S. PATENT DOCUMENTS**

D407,363 S	*	3/1999	Muzzarelli	.....	D12/209
D416,846 S	*	11/1999	Melegari et al.	.....	D12/209
D432,069 S	*	10/2000	Chung	.....	D12/209
D432,971 S	*	10/2000	Donikoglu	.....	D12/209
D433,375 S	*	11/2000	Fitzgerald	.....	D12/209
D438,158 S	*	2/2001	Fitzgerald	.....	D12/209



*Fig. 1*



*Fig. 2*

