



US00D487562S

(12) **United States Design Patent**  
**Campbell**

(10) **Patent No.:** **US D487,562 S**

(45) **Date of Patent:** **\*\* Mar. 16, 2004**

(54) **NUT**

(76) **Inventor:** **R. Bryce Campbell**, 1440 W. Houston Ave., No. 7, Gilbert, AZ (US) 85233

(\*\*) **Term:** **14 Years**

(21) **Appl. No.:** **29/153,513**

(22) **Filed:** **Jan. 10, 2002**

(51) **LOC (7) Cl.** ..... **08-08**

(52) **U.S. Cl.** ..... **D8/397**

(58) **Field of Search** ..... D8/382, 397, 399;  
411/81, 98, 103, 106, 145, 146, 172, 179,  
197, 204, 248, 337, 338, 368, 371.2, 372.5,  
418, 427, 429, 430, 431, 432, 436, 437,  
500, 511, 512, 514, 531, 532, 533, 535,  
536, 537, 538, 542, 544, 918, 928; 70/229;  
301/35.623, 111.01

(56) **References Cited**

**U.S. PATENT DOCUMENTS**

- 391,891 A \* 10/1888 Fox et al. .... 411/432
- 529,683 A \* 11/1894 Herman ..... 411/429
- D56,847 S \* 1/1921 Armstrong ..... D8/399
- 3,522,830 A \* 8/1970 Blizzard ..... D8/397

- D245,067 S \* 7/1977 Coldren ..... D8/397
- 4,396,327 A \* 8/1983 Menke ..... 411/533
- 4,668,143 A \* 5/1987 Rotar ..... 411/429
- 5,064,326 A \* 11/1991 Davis et al. .... 411/368
- 5,090,854 A \* 2/1992 Hafeli et al. .... 411/427
- 5,885,034 A \* 3/1999 Fergusson ..... 411/537
- 5,890,857 A \* 4/1999 Herrera ..... 411/432
- 6,293,744 B1 \* 9/2001 Hempfling et al. .... 411/372.5
- D451,375 S \* 12/2001 Shinjo et al. .... D8/397
- D452,140 S \* 12/2001 Shinjo et al. .... D8/397

\* cited by examiner

*Primary Examiner*—Doris V. Coles

*Assistant Examiner*—T. Chase Nelson

(74) *Attorney, Agent, or Firm*—Cahill, von Hellens & Glazer P.L.C.

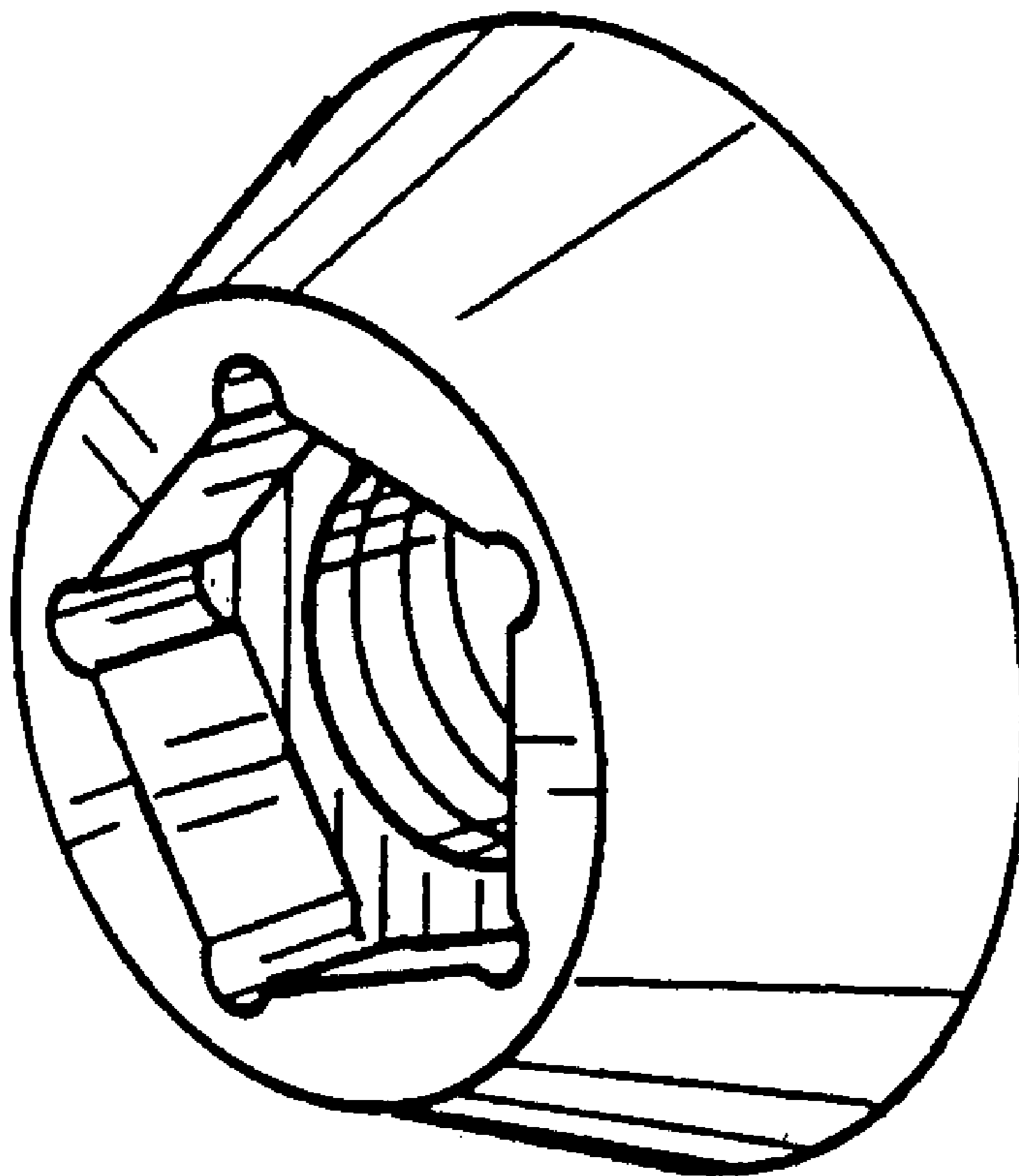
(57) **CLAIM**

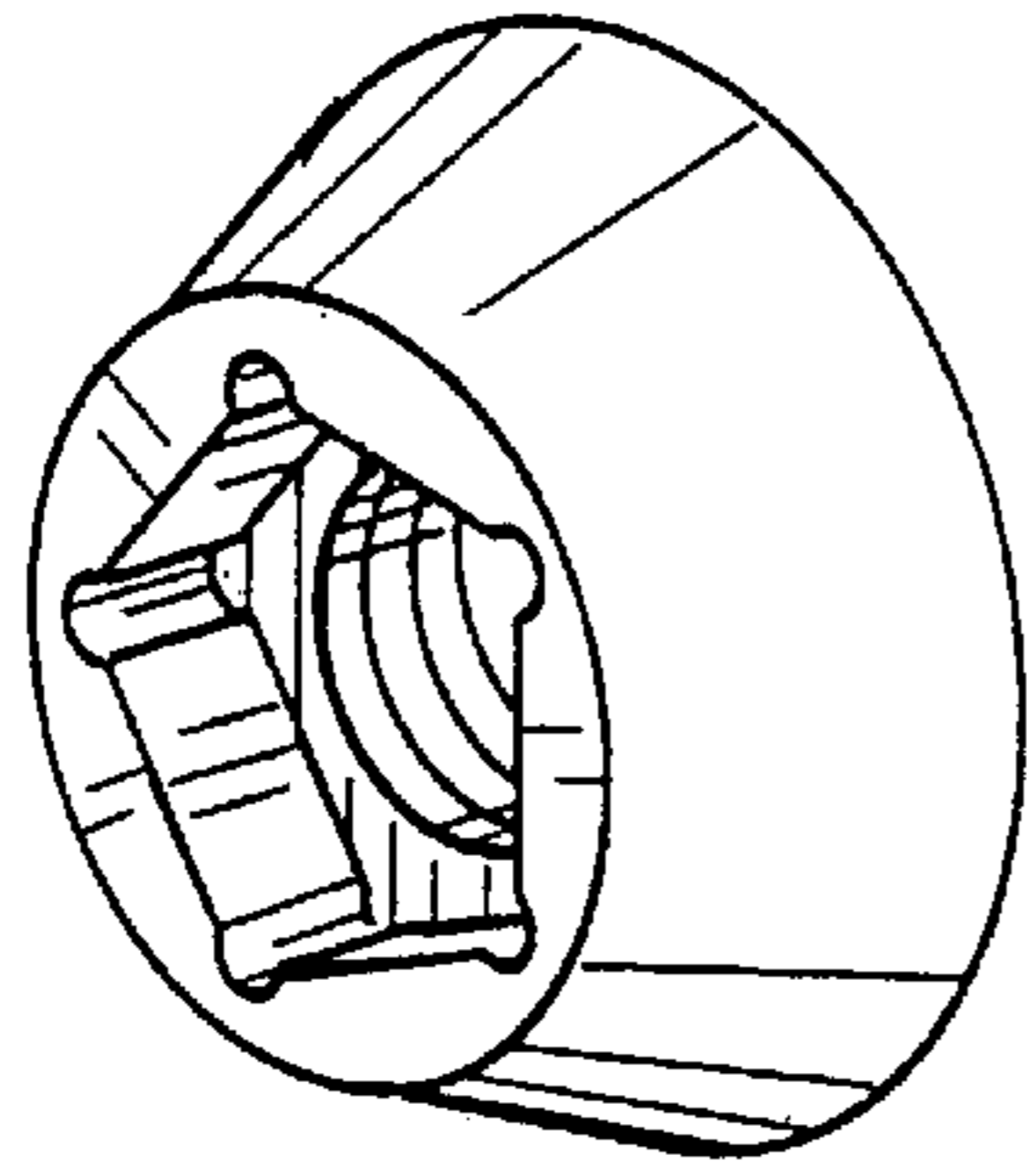
The ornamental design for a nut, as shown and described.

**DESCRIPTION**

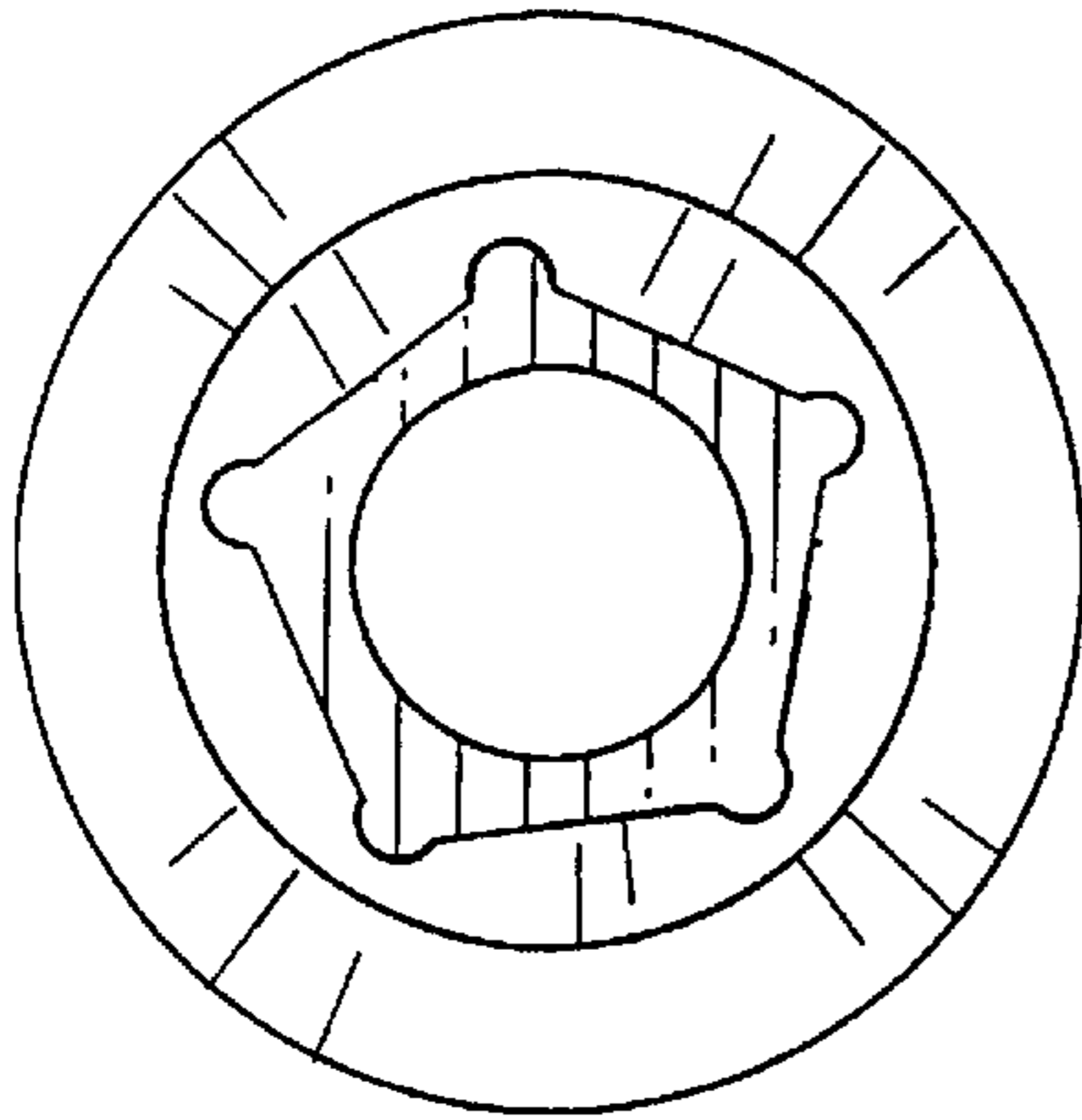
FIG. 1 is a perspective view showing the invention;  
FIG. 2 is a rear view thereof;  
FIG. 3 is a side elevational view thereof; and,  
FIG. 4 is a front elevational view thereof.

**1 Claim, 1 Drawing Sheet**

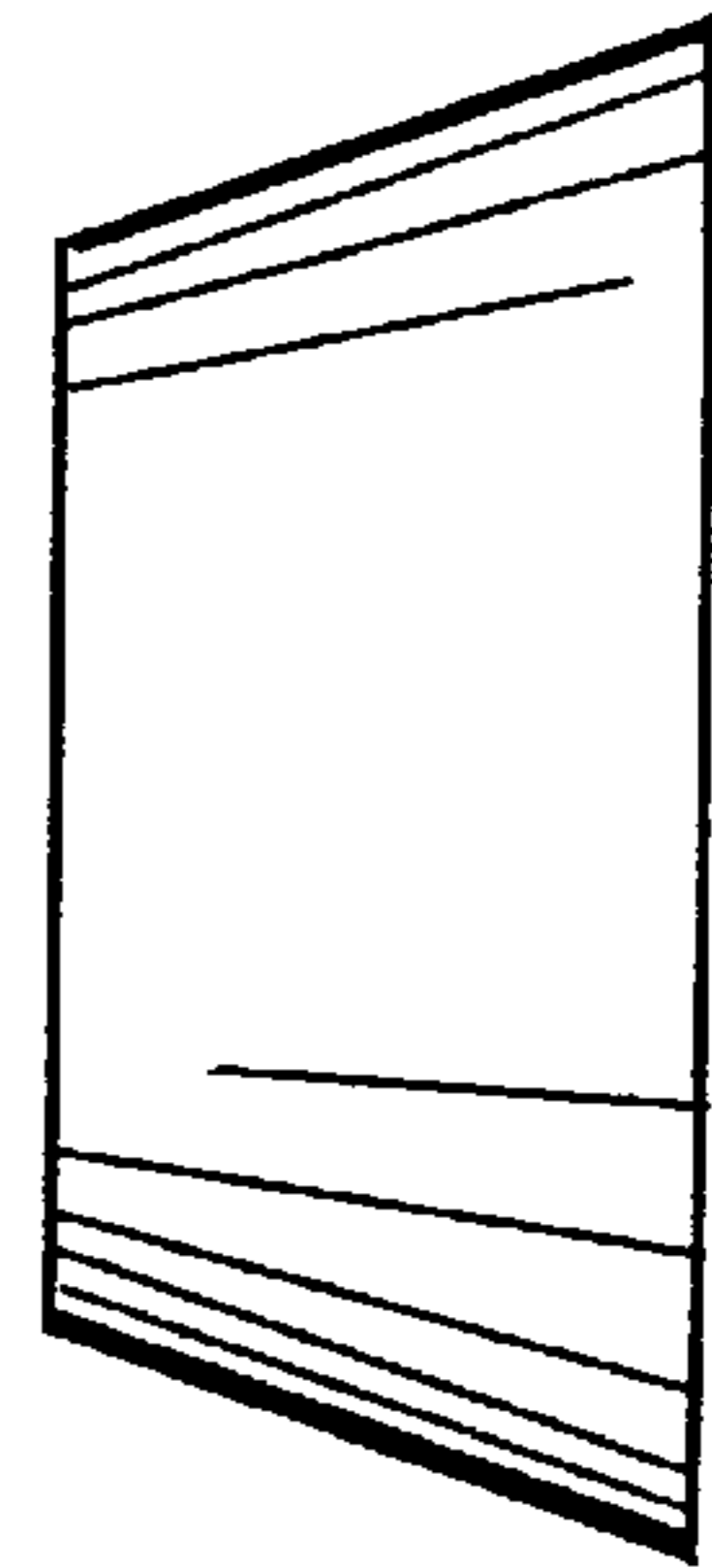




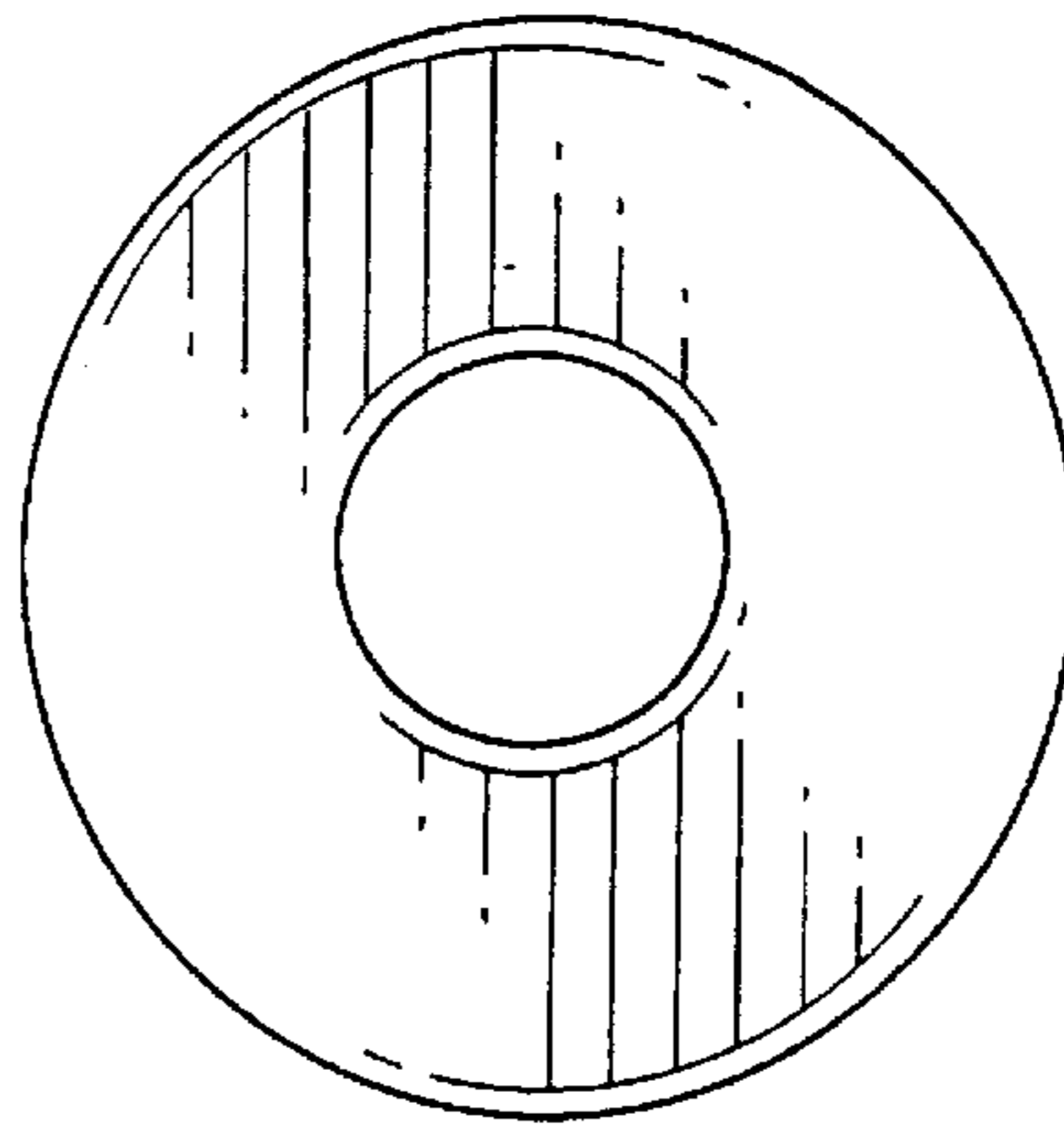
**FIG. 1.**



**FIG. 2.**



**FIG. 3.**



**FIG. 4.**