



US00D487561S

(12) **United States Design Patent**
Nguyen et al.

(10) **Patent No.:** **US D487,561 S**
(45) **Date of Patent:** **** Mar. 16, 2004**

(54) **BAG SUPPORT MEMBER**

(76) Inventors: **Hank D Nguyen**, 4929 Jenette St.,
Metairie, LA (US) 70003; **Francis B Galle**, 1400 Butternut Ave., Metairie,
LA (US) 70001

(**) Term: **14 Years**

(21) Appl. No.: **29/167,962**

(22) Filed: **Sep. 24, 2002**

(51) **LOC (7) Cl.** **08-05**

(52) **U.S. Cl.** **D8/370**

(58) **Field of Search** D8/370, 367, 363,
D8/373; D24/128; 52/685, 687, 719; 211/106.01,
87.01, 57.1, 59.1; 24/26-27, 28; 248/302-304,
218.4, 222.12, 220.21, 220.31, 220.41,
227.2, 215, 497, 489, 339, 95

(56) **References Cited**

U.S. PATENT DOCUMENTS

194,707 A * 8/1877 Merrill 248/489
1,220,717 A * 3/1917 Bennett 248/227.2

1,604,963 A * 11/1926 Bernhard 248/497
2,938,696 A * 5/1960 Hinshaw 248/215
3,172,540 A * 3/1965 Berge 211/106.01

* cited by examiner

Primary Examiner—Pamela Burgess

(74) *Attorney, Agent, or Firm*—Joseph T. Regard, Ltd

(57) **CLAIM**

The ornamental design for a bag support member, as shown and described.

DESCRIPTION

FIG. 1 is a top perspective view of a bag support member showing my new design;

FIG. 2 is a front elevational view thereof;

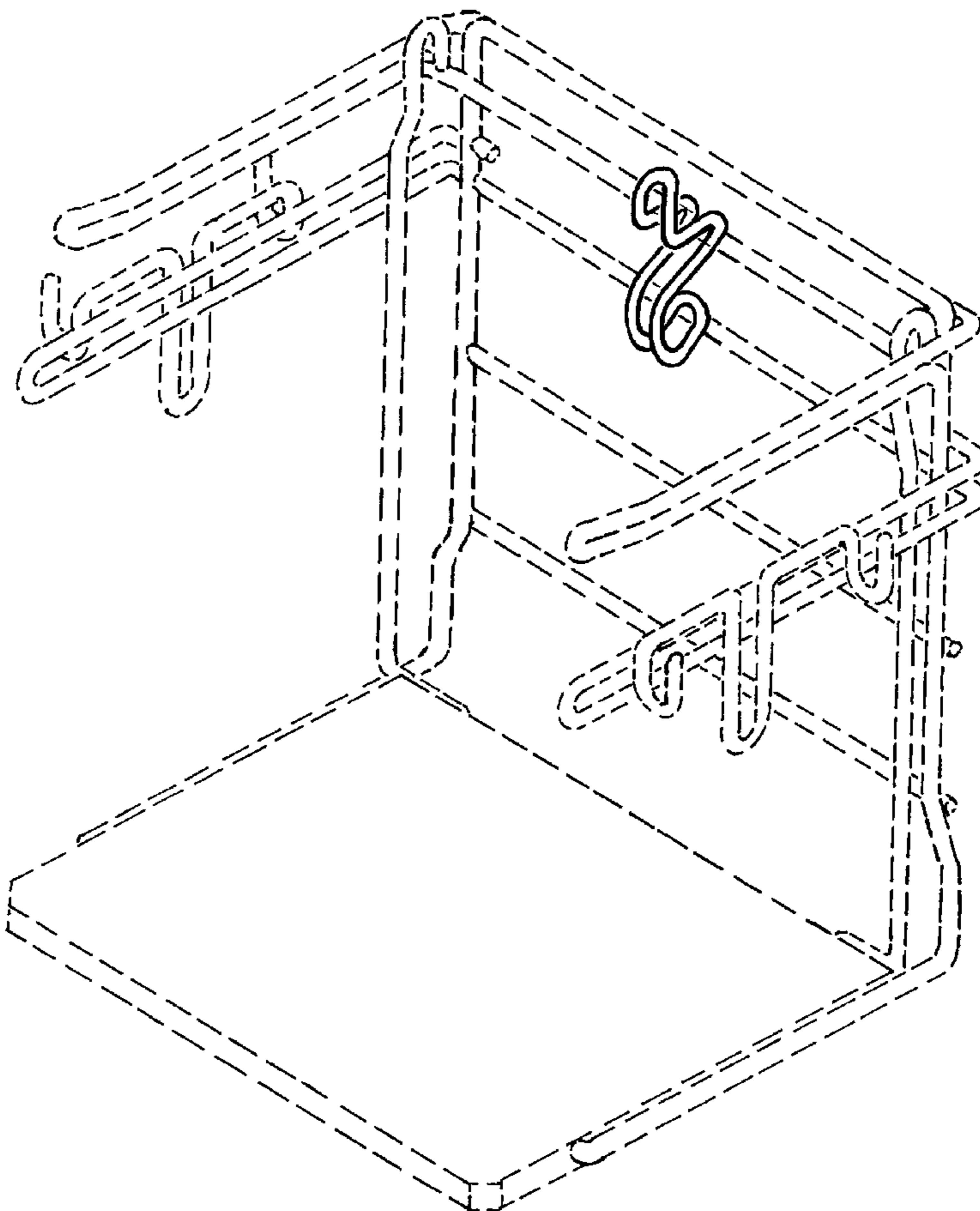
FIG. 3 is a side elevational view thereof;

FIG. 4 is a top plan view thereof; and,

FIG. 5 is an enlarged cross-sectional view taken in the direction of the arrows on line 5—5 of FIG. 2.

The broken lines shown in all views are for illustrative purposes only and form no part of the claimed design.

1 Claim, 3 Drawing Sheets



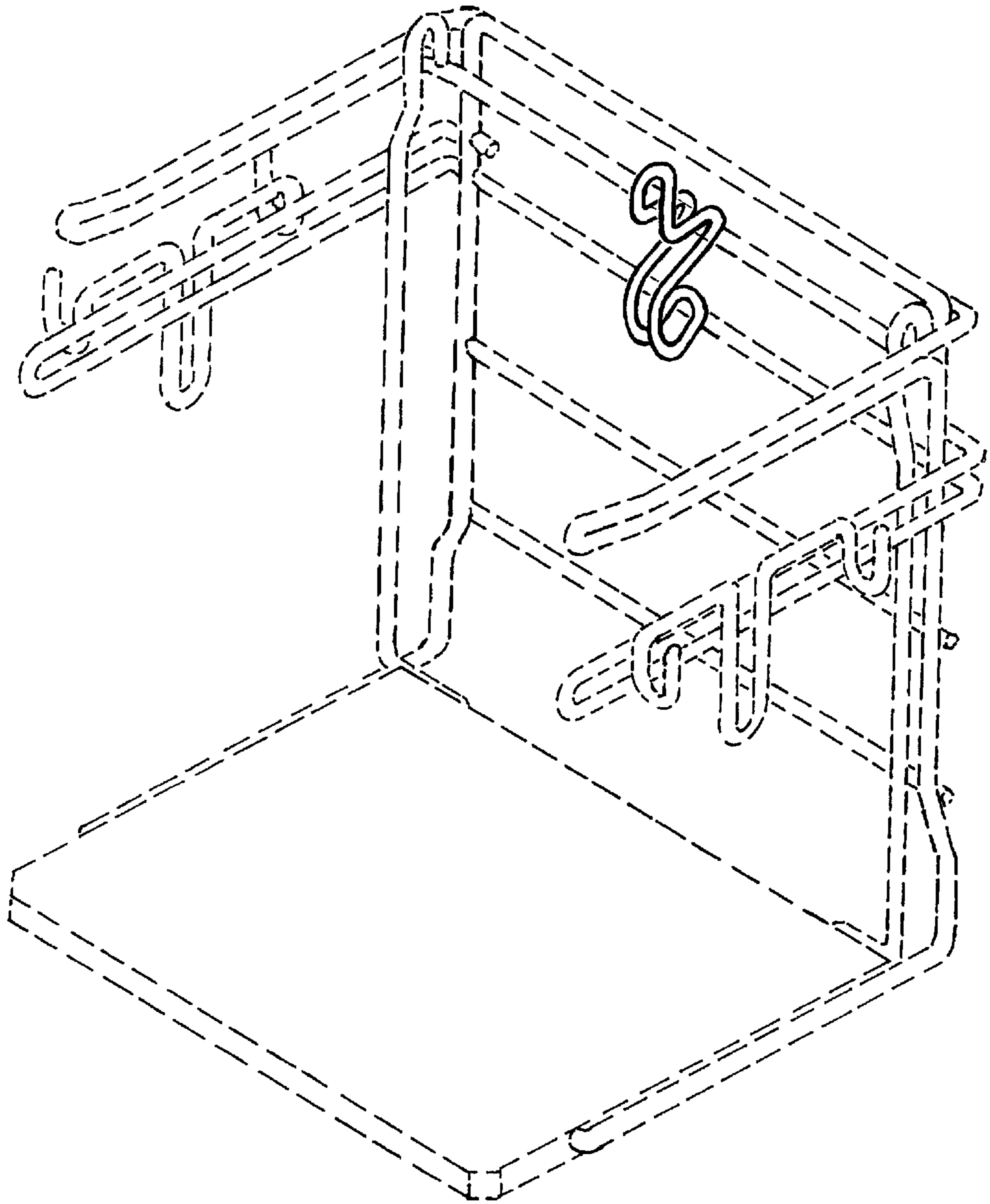


FIG. 1

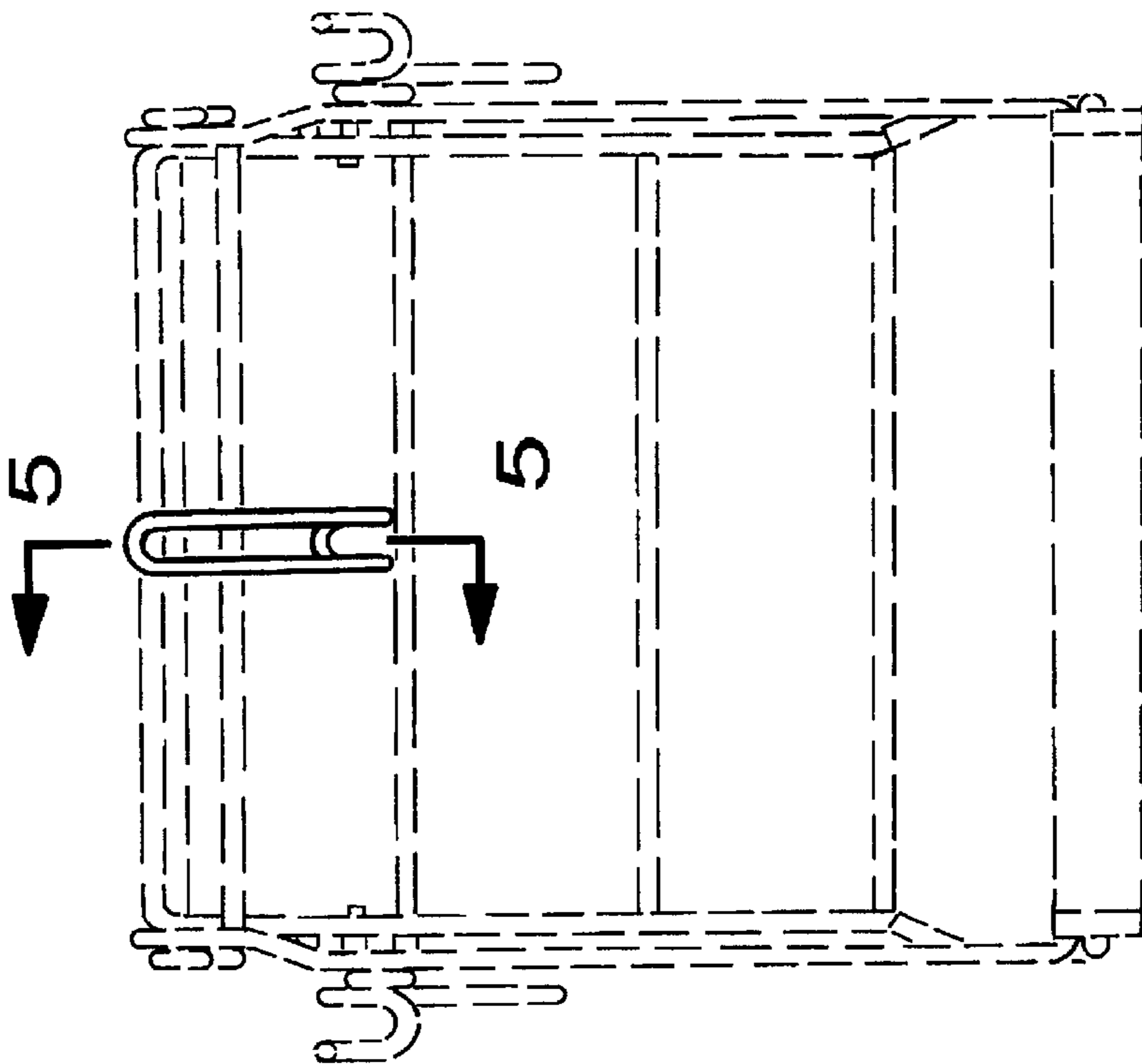


FIG. 2

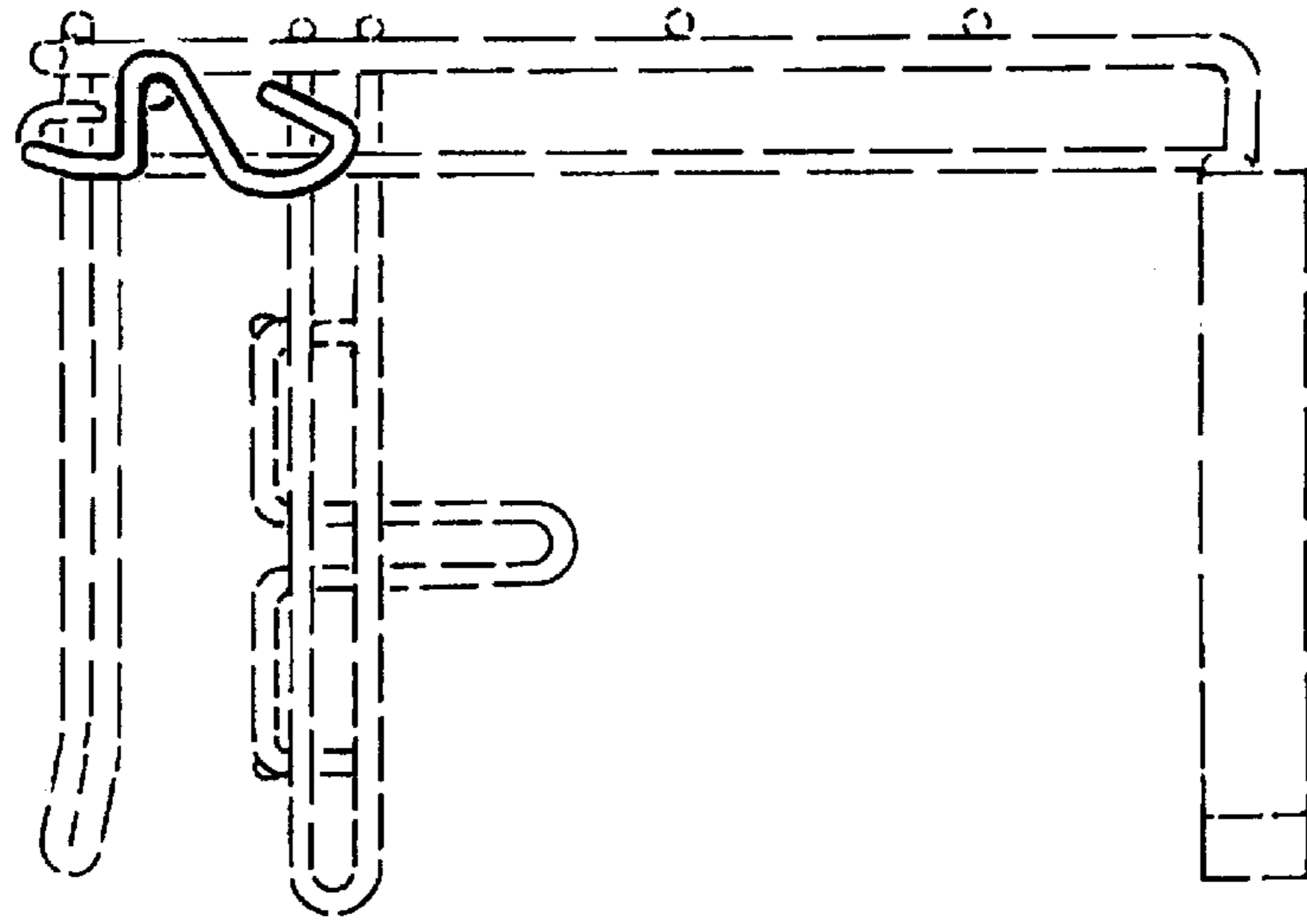


FIG. 3

FIG. 4

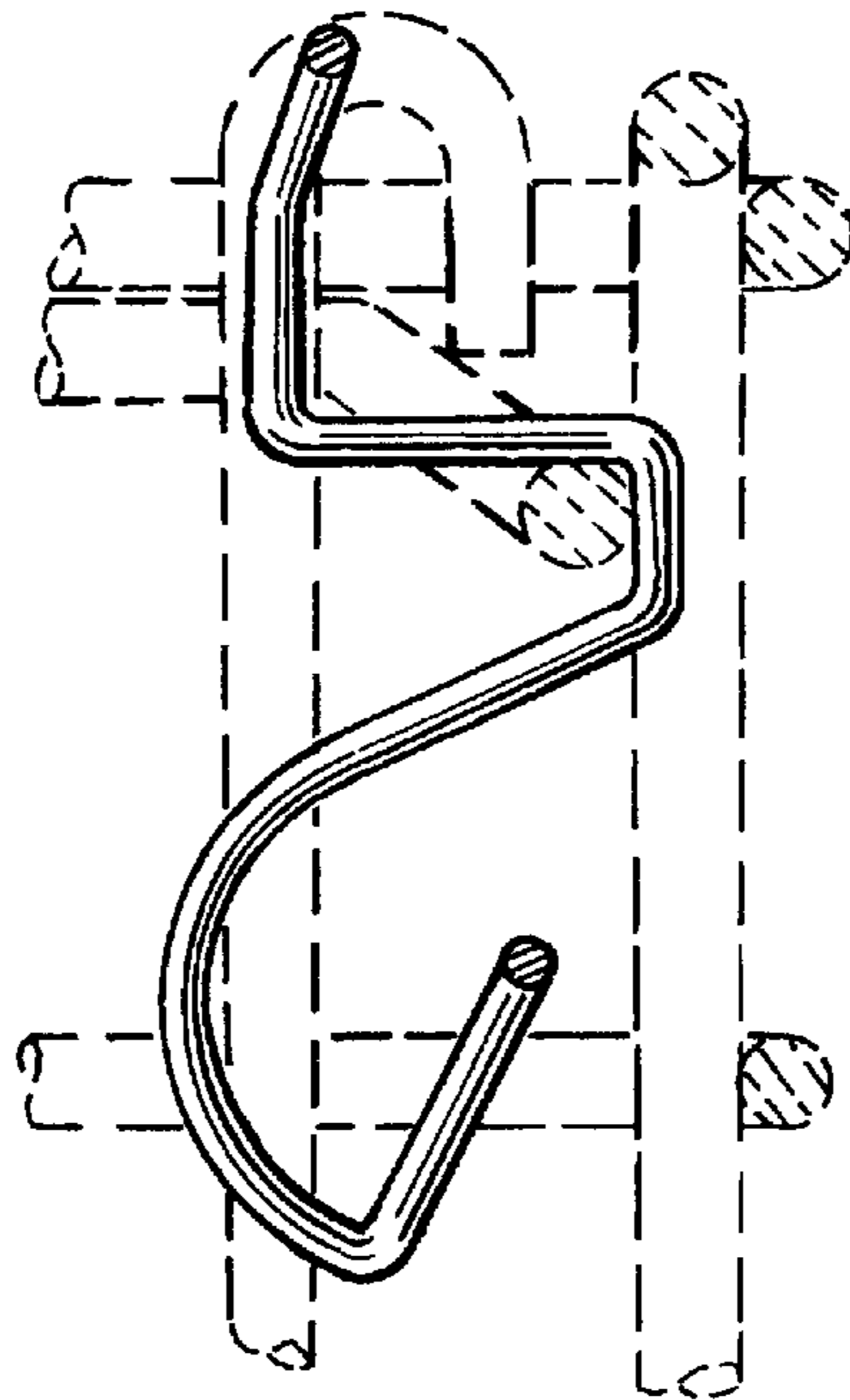
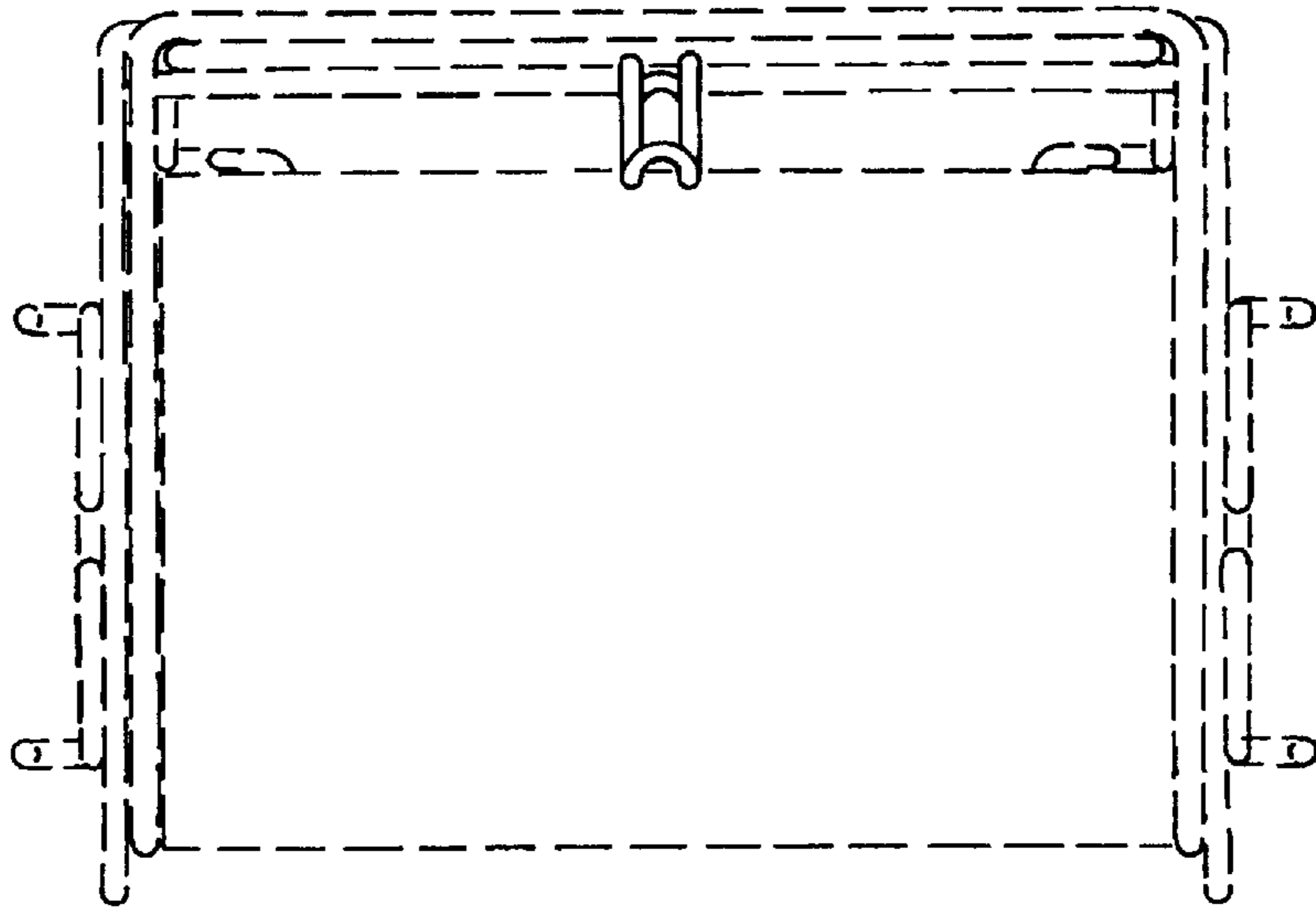


FIG. 5