



US00D487547S

(12) **United States Design Patent**  
**Pomodoro**

(10) **Patent No.:** **US D487,547 S**

(45) **Date of Patent:** **\*\* Mar. 16, 2004**

(54) **HEIGHT AND TILT ADJUSTABLE  
WORKSTATION**

(75) **Inventor:** **Leonardo A. Pomodoro**, Kalamazoo,  
MI (US)

(73) **Assignee:** **The Board of Trustees of Western  
Michigan University**, Kalamazoo, MI  
(US)

(\*\*) **Term:** **14 Years**

(21) **Appl. No.:** **29/178,656**

(22) **Filed:** **Mar. 28, 2003**

**Related U.S. Application Data**

(62) Division of application No. 29/158,758, filed on Apr. 9,  
2002, now Pat. No. Des. 472,400.

(51) **LOC (7) Cl.** ..... **06-04**

(52) **U.S. Cl.** ..... **D6/426**

(58) **Field of Search** ..... D6/422-428, 477,  
D6/479, 474, 480; 312/194-196, 204, 208.1,  
208.2, 208.4, 239; 108/50.01, 50.02

(56) **References Cited**

**U.S. PATENT DOCUMENTS**

D242,832 S \* 12/1976 Swenson ..... D6/423

D381,835 S \* 8/1997 Corpuz, Jr. et al. .... D6/426  
D405,981 S \* 2/1999 Alexander et al. .... D6/426  
D422,429 S \* 4/2000 Belka et al. .... D6/421  
D436,469 S \* 1/2001 Idaszak et al. .... D6/480  
D472,400 S \* 4/2003 Pomodoro ..... D6/426

\* cited by examiner

*Primary Examiner*—Janice E. Seeger

(74) *Attorney, Agent, or Firm*—Flynn, Thiel, Boutell &  
Tanis, P.C.

(57) **CLAIM**

The ornamental design for a height and tilt adjustable  
workstation, as shown and described.

**DESCRIPTION**

FIG. 1 is a perspective view of the height and tilt adjustable  
workstation of the present invention in its lowest elevational  
position;

FIG. 2 is a front view of the FIG. 1 workstation;

FIG. 3 is a back view of the FIG. 1 workstation;

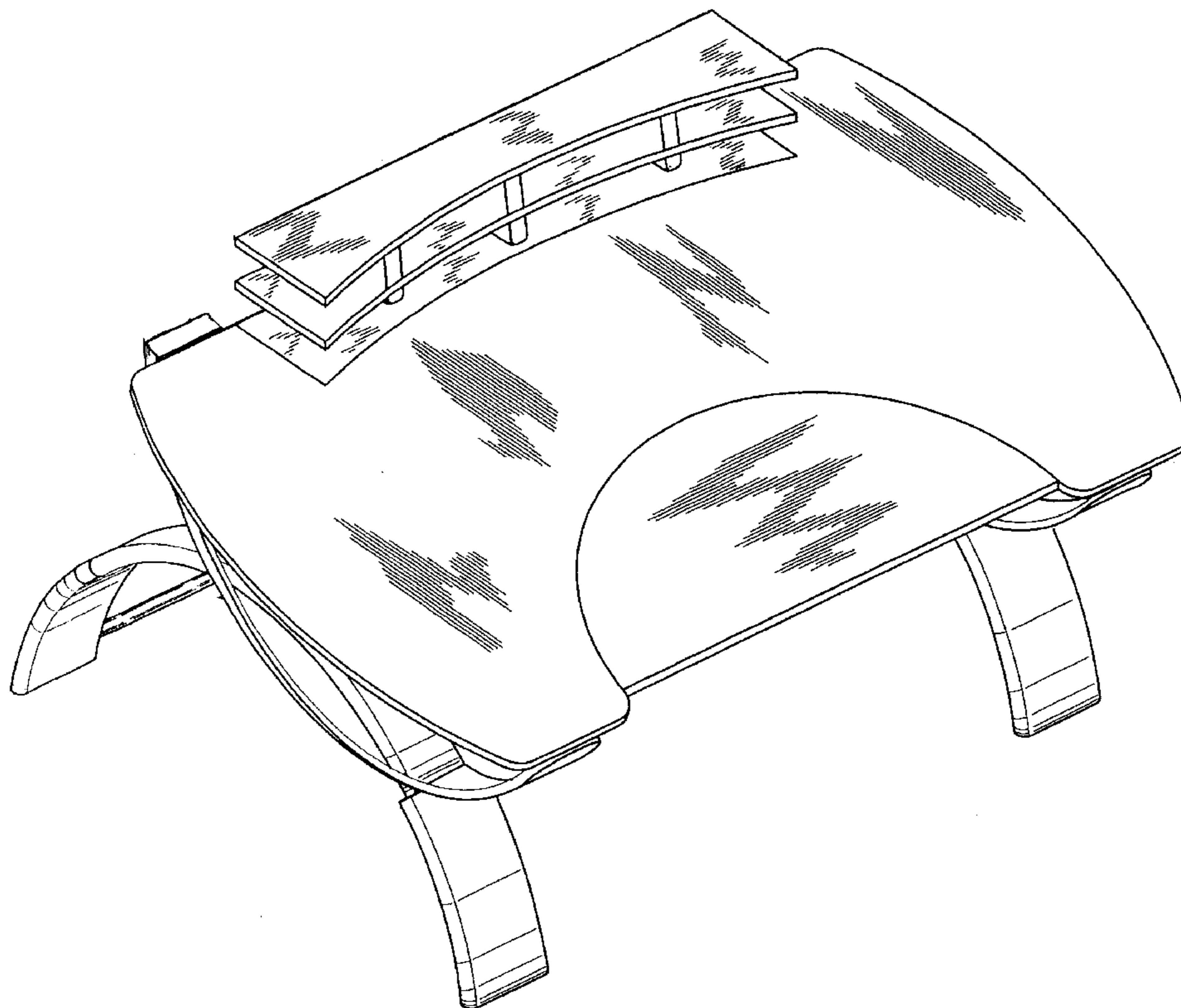
FIG. 4 is a top view of the FIG. 1 workstation;

FIG. 5 is a bottom view of the FIG. 1 workstation;

FIG. 6 is a left side view of the FIG. 1 workstation; and,

FIG. 7 is a right side view of the FIG. 1 workstation.

**1 Claim, 7 Drawing Sheets**



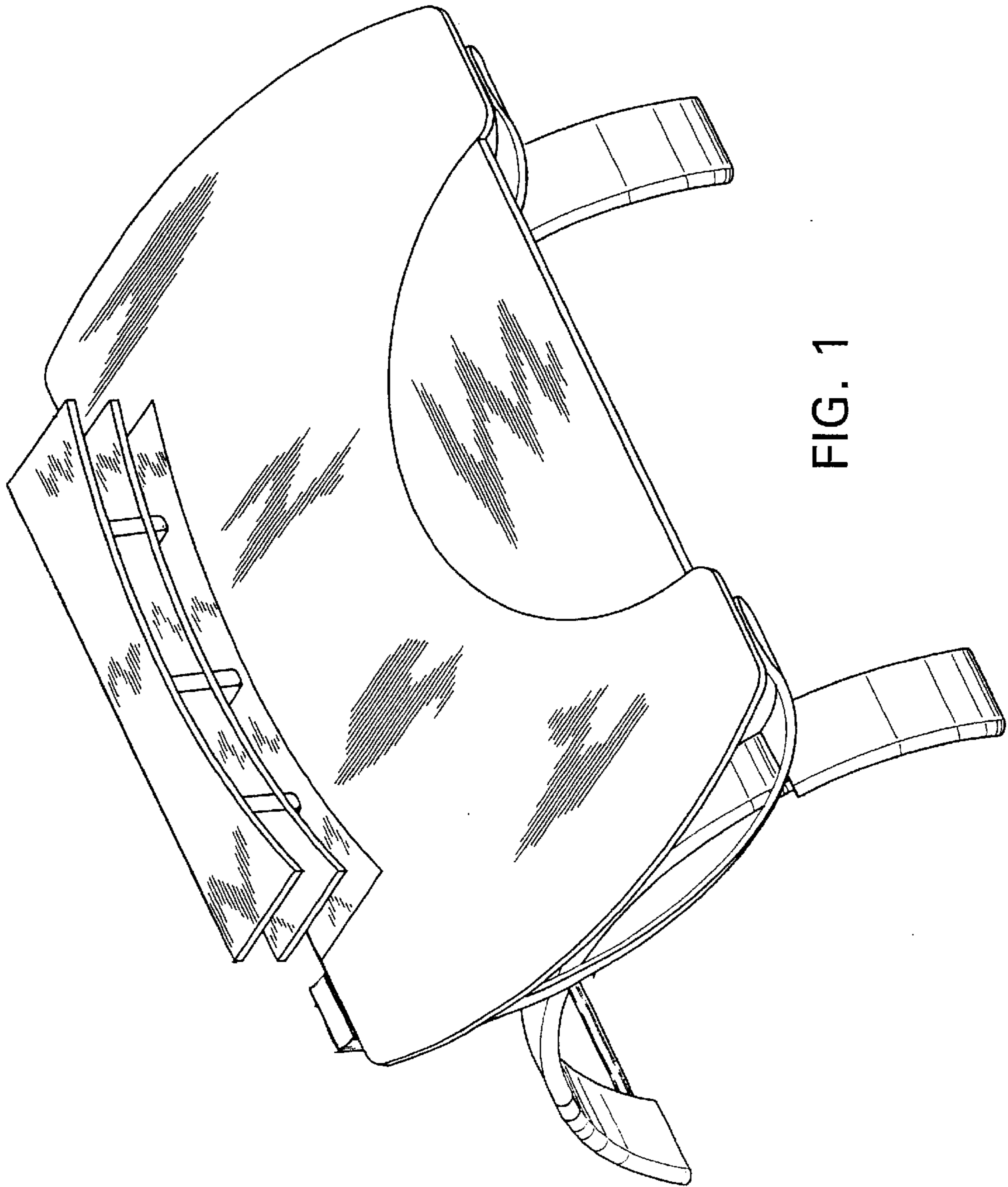


FIG. 1

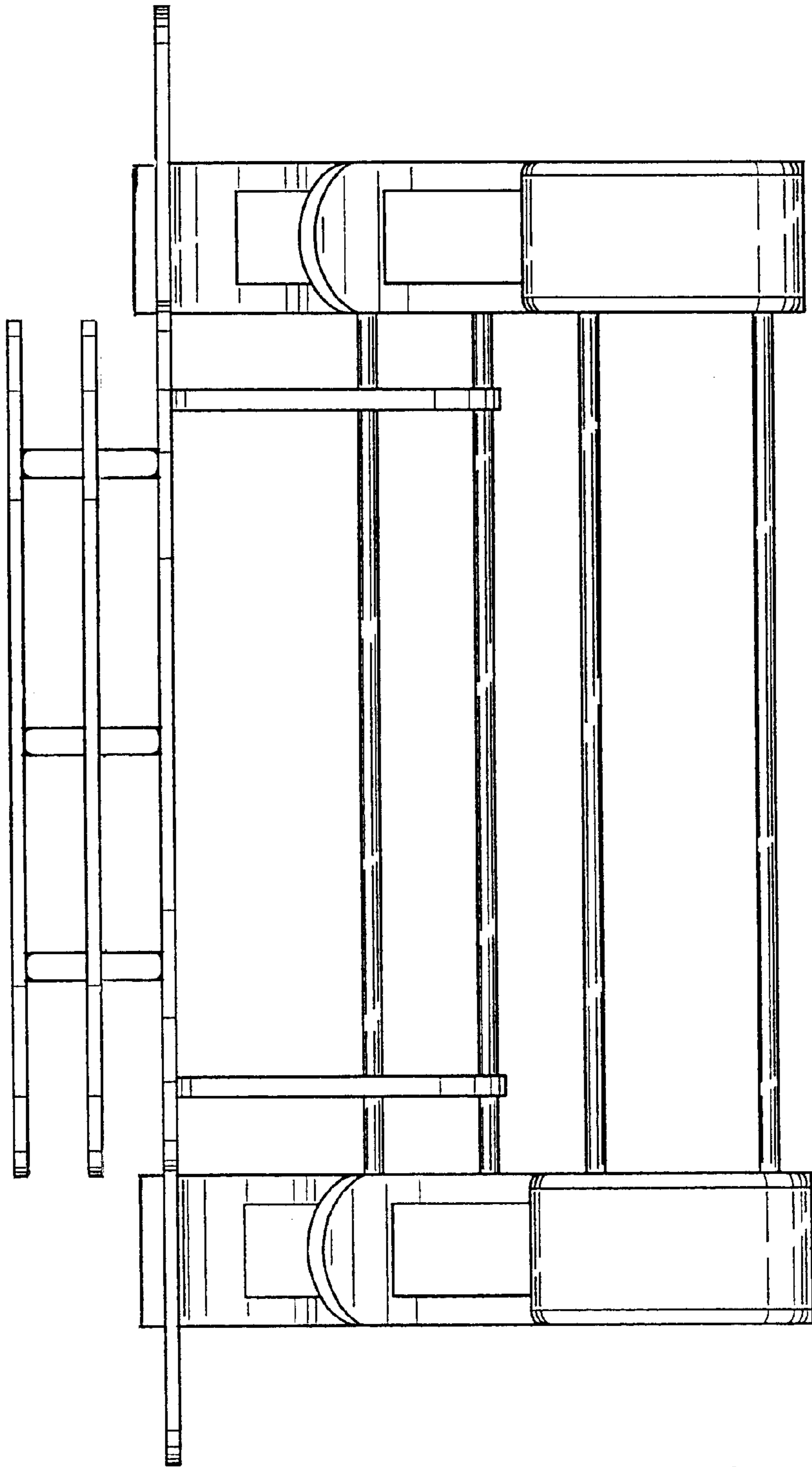


FIG. 2

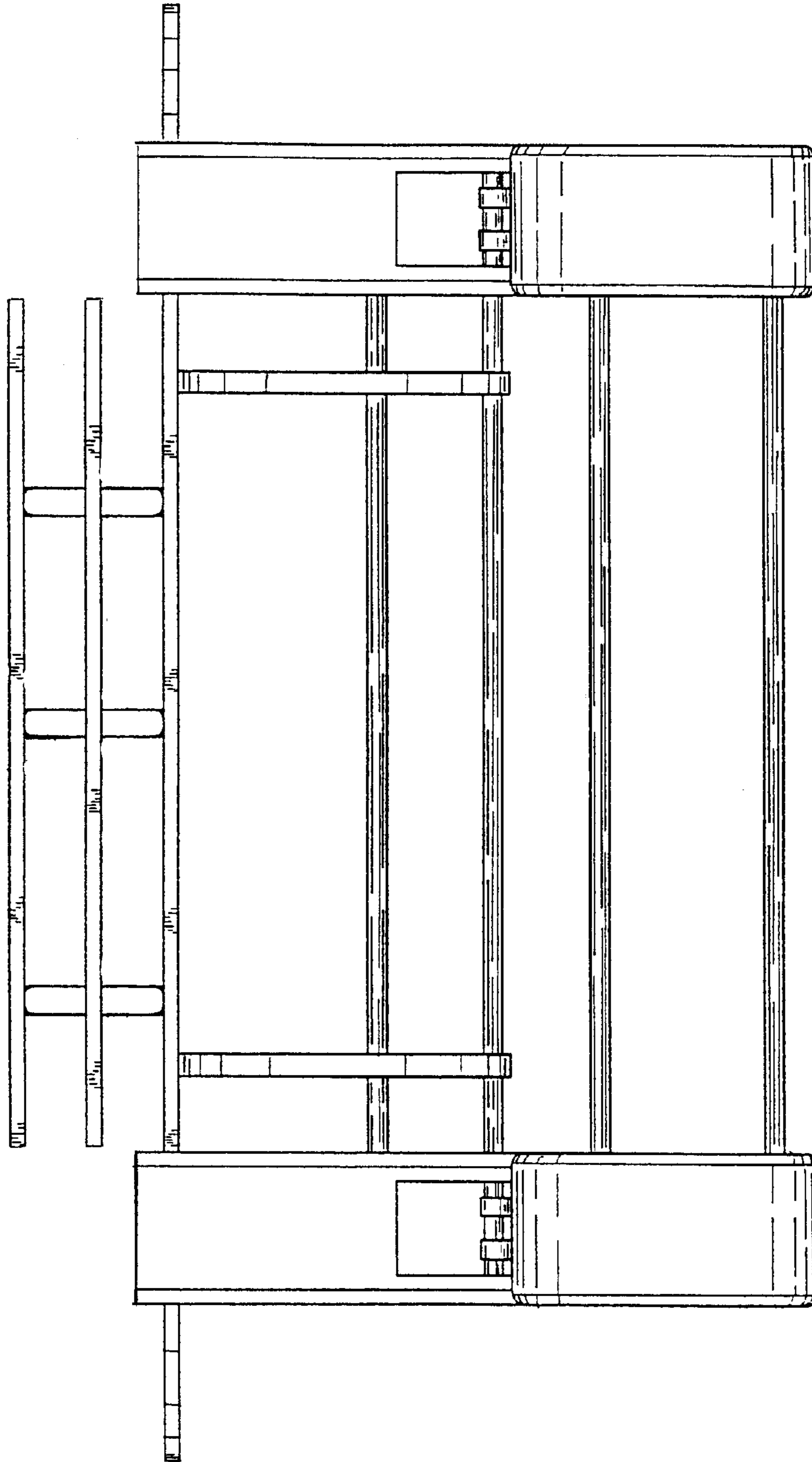


FIG. 3

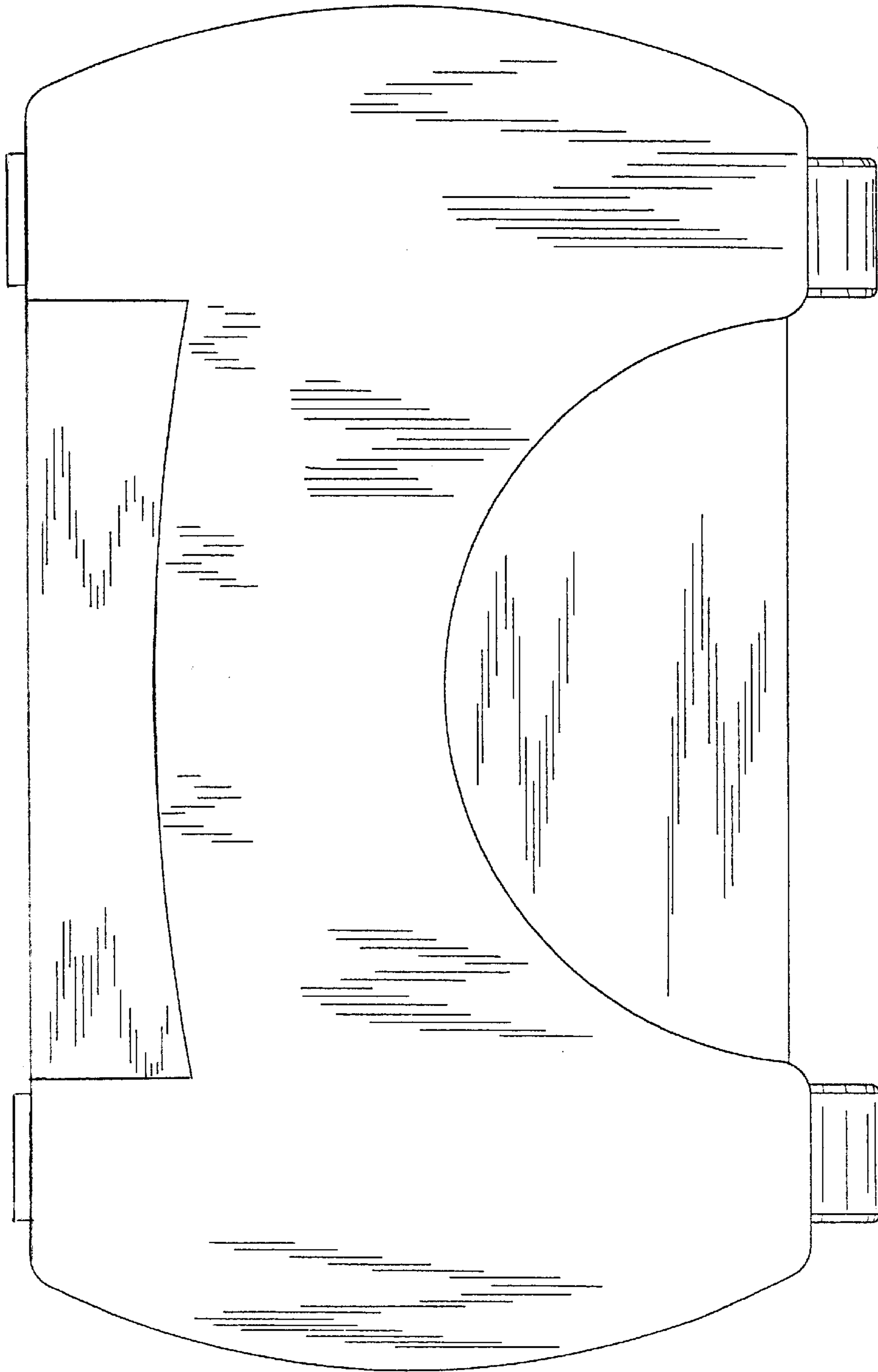


FIG. 4

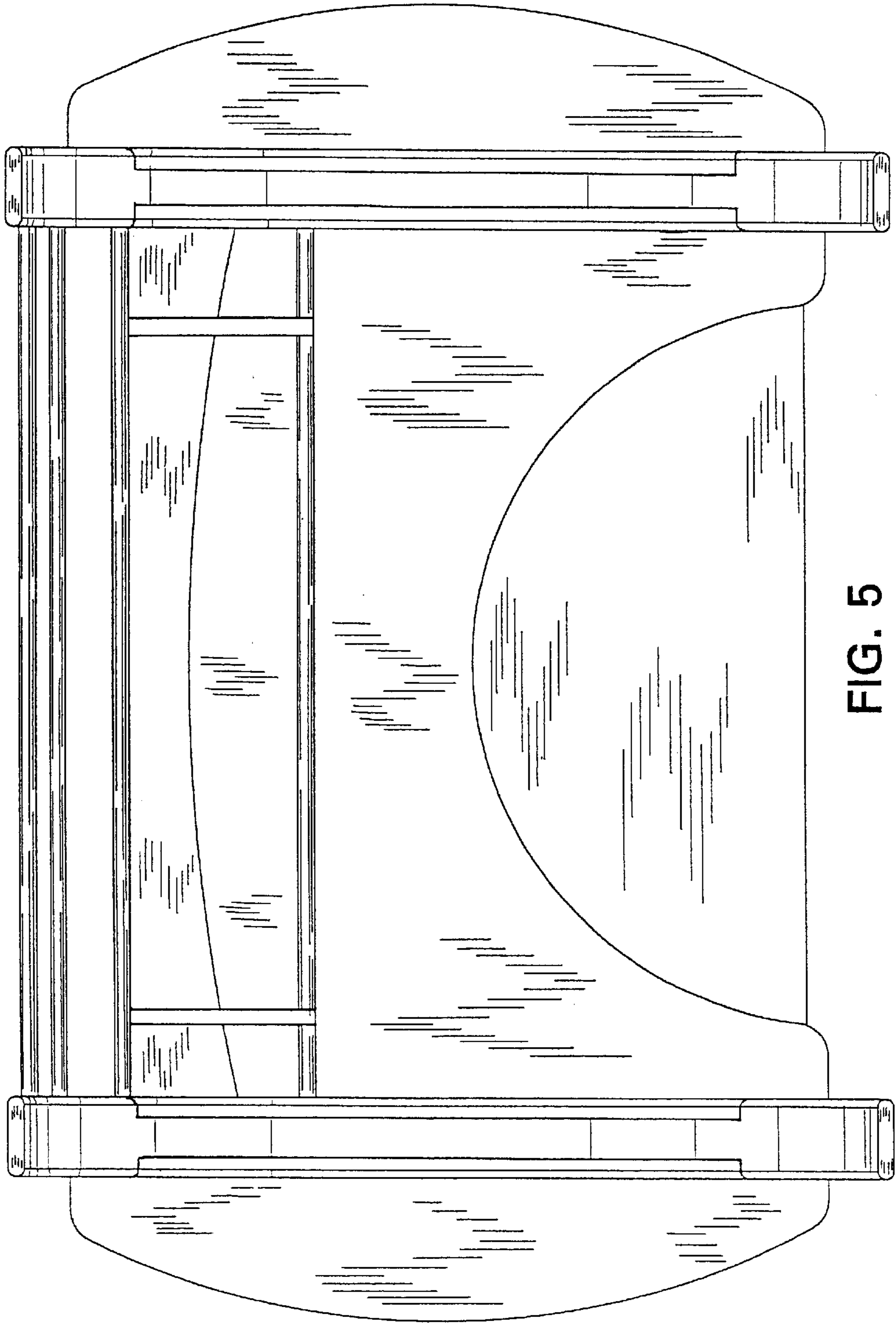


FIG. 5

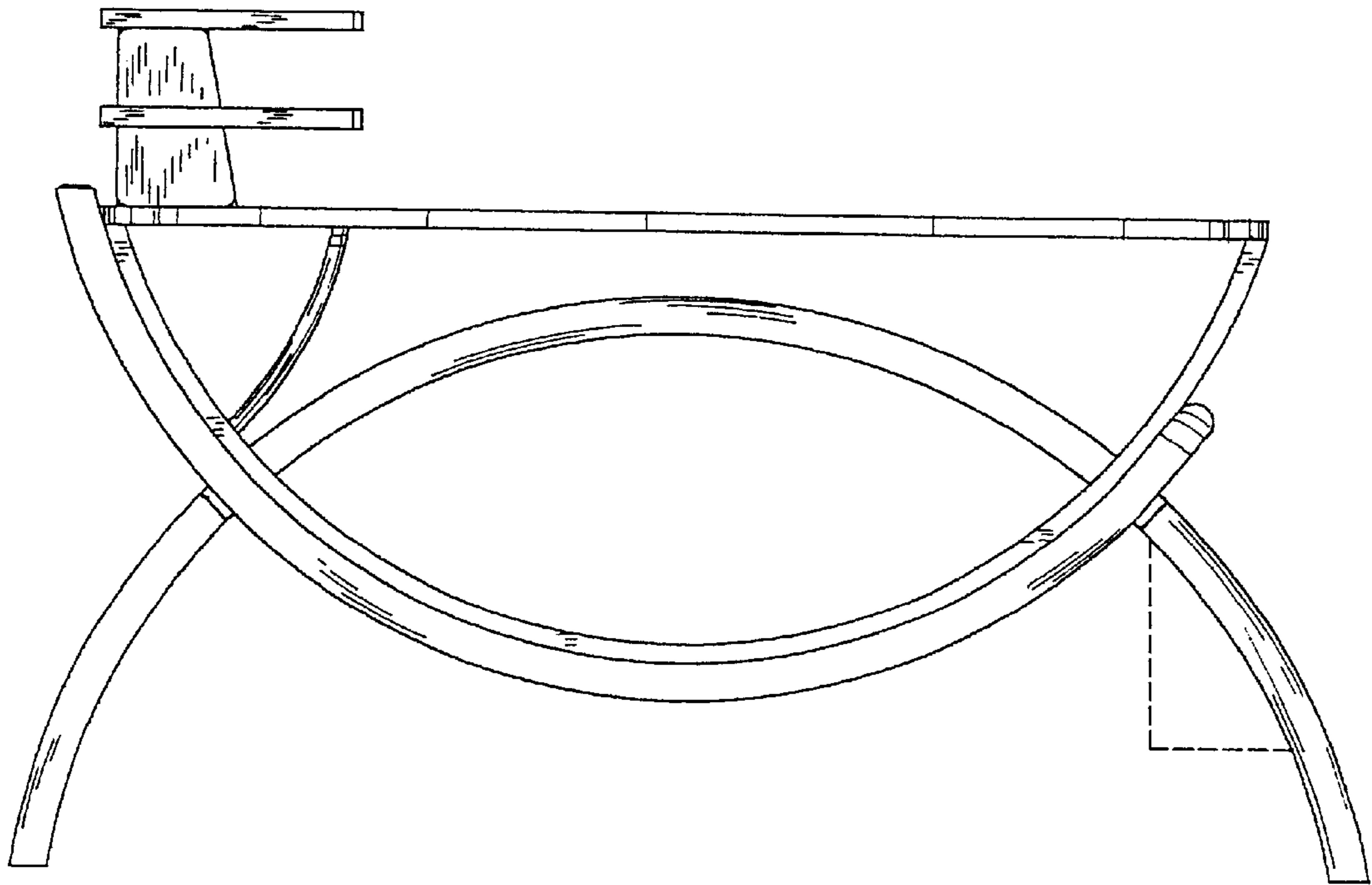


FIG. 6

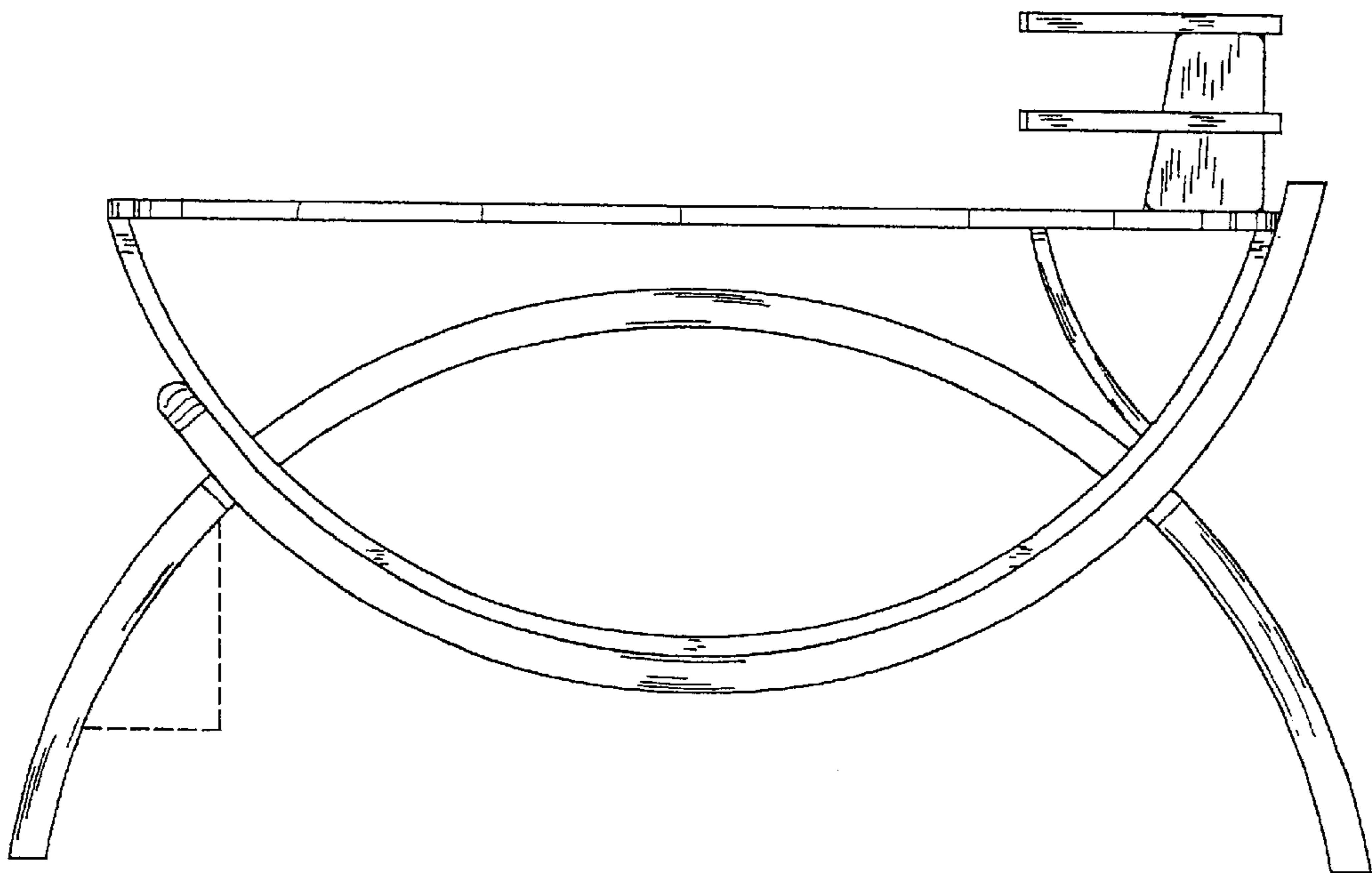


FIG. 7