



US00D487545S

(12) **United States Design Patent**
Frenkler et al.

(10) **Patent No.:** **US D487,545 S**

(45) **Date of Patent:** **** *Mar. 16, 2004**

(54) **CHAIR**

(75) Inventors: **Fritz Frenkler**, Frankfurt am Main (DE); **Anette Ponholzer**, Frankfurt am Main (DE)

(73) Assignee: **Kokuyo Co., Ltd.**, Osaka (JP)

(*) Notice: This patent is subject to a terminal disclaimer.

(**) Term: **14 Years**

(21) Appl. No.: **29/169,816**

(22) Filed: **Oct. 28, 2002**

(30) **Foreign Application Priority Data**

May 10, 2002 (JP) 2002-012517

(51) **LOC (7) Cl.** **06-01**

(52) **U.S. Cl.** **D6/366**

(58) **Field of Search** D6/334, 364, 365, D6/366, 367, 500, 501, 502; 297/411.2, 411.27

(56) **References Cited**

U.S. PATENT DOCUMENTS

D398,163 S * 9/1998 Desanta D6/366

D407,911 S * 4/1999 Brauning D6/366
D437,701 S * 2/2001 Bellini et al. D6/366
D444,309 S * 7/2001 Nagamitsu D6/366
D445,613 S * 7/2001 Ginat D6/500
D456,625 S * 5/2002 Frenkler et al. D6/366
D469,618 S * 2/2003 Nagamitsu D6/366
D471,024 S * 3/2003 Chadwick et al. D6/366

* cited by examiner

Primary Examiner—Gary D. Watson

(74) *Attorney, Agent, or Firm*—Banner & Witcoff Ltd.

(57) **CLAIM**

The ornamental design for a chair, as shown and described.

DESCRIPTION

FIG. 1 is a front elevational view of the chair showing our new design;

FIG. 2 is a rear elevational view thereof;

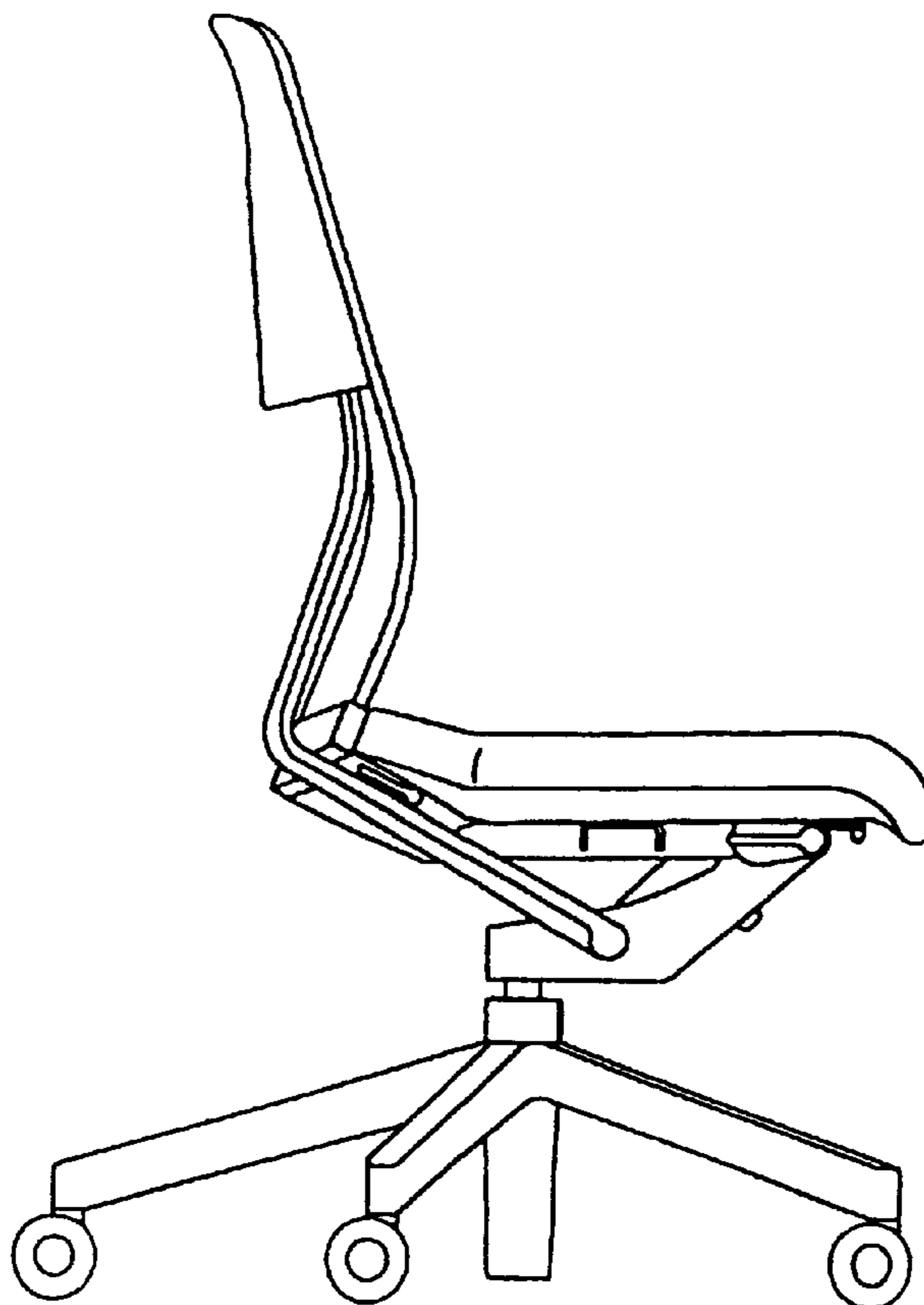
FIG. 3 is a top plan view thereof;

FIG. 4 is a bottom plan view thereof;

FIG. 5 a right side elevational view thereof; and,

FIG. 6 is a left side elevational view thereof.

1 Claim, 5 Drawing Sheets



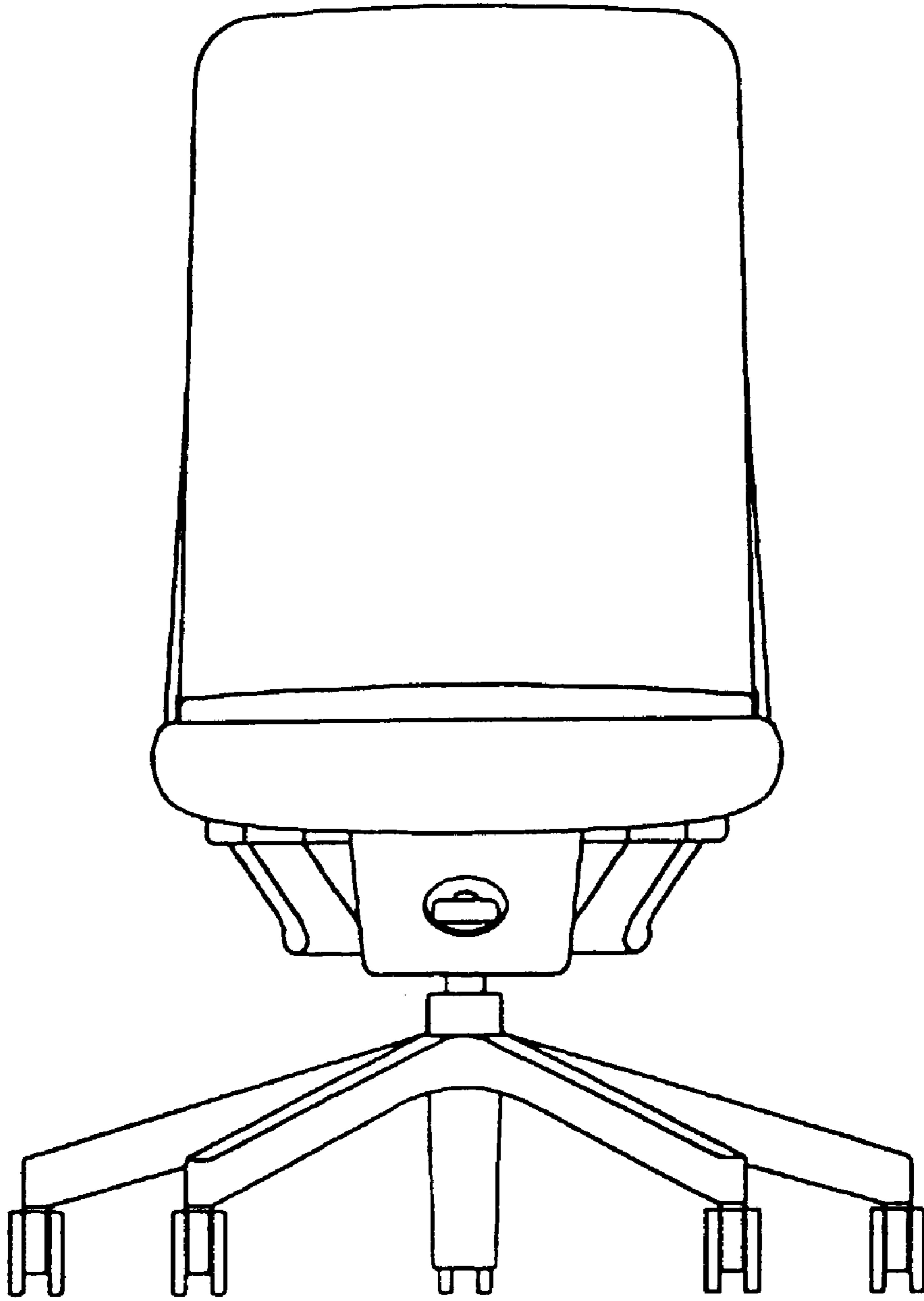


FIG. 1

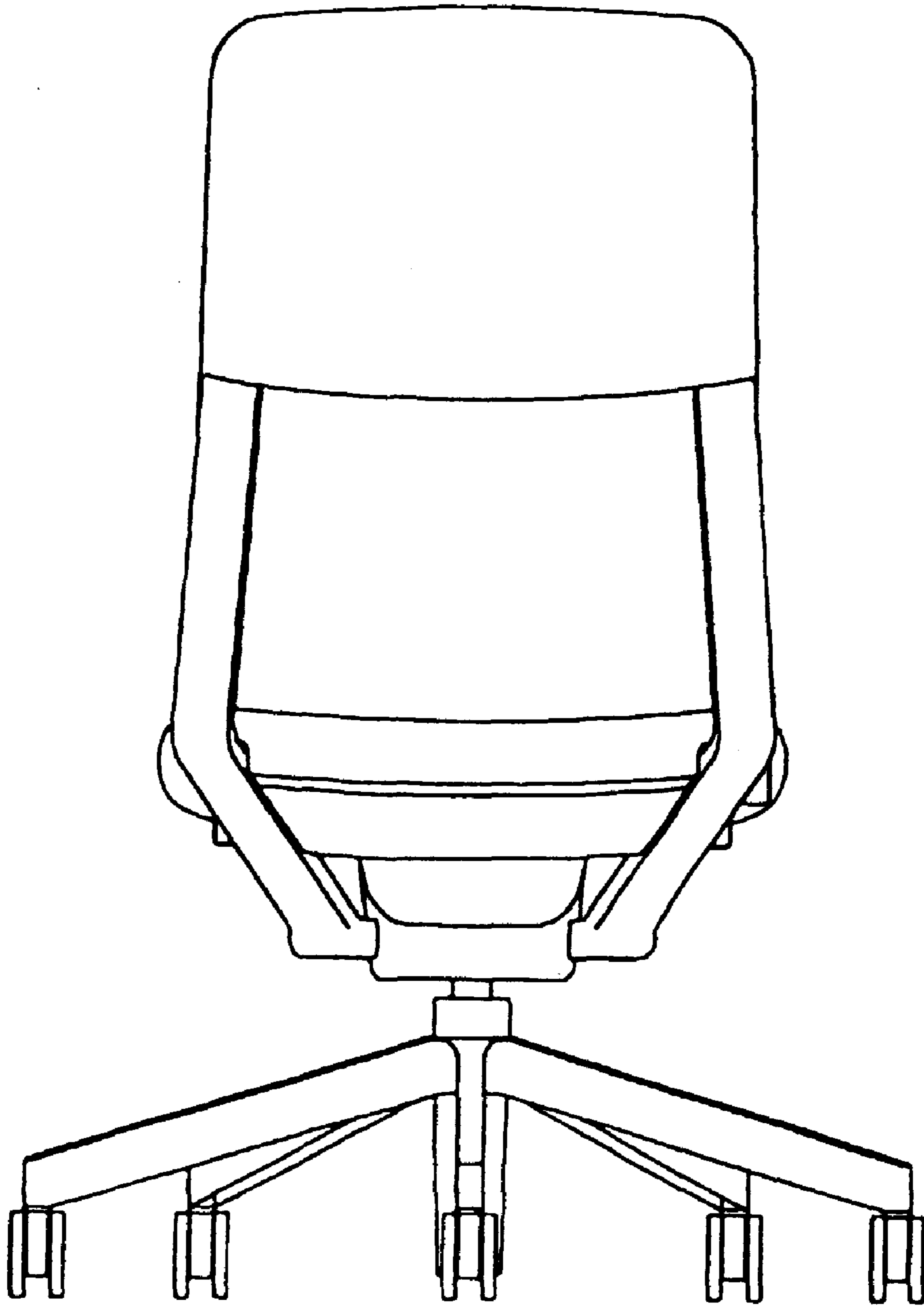


FIG. 2

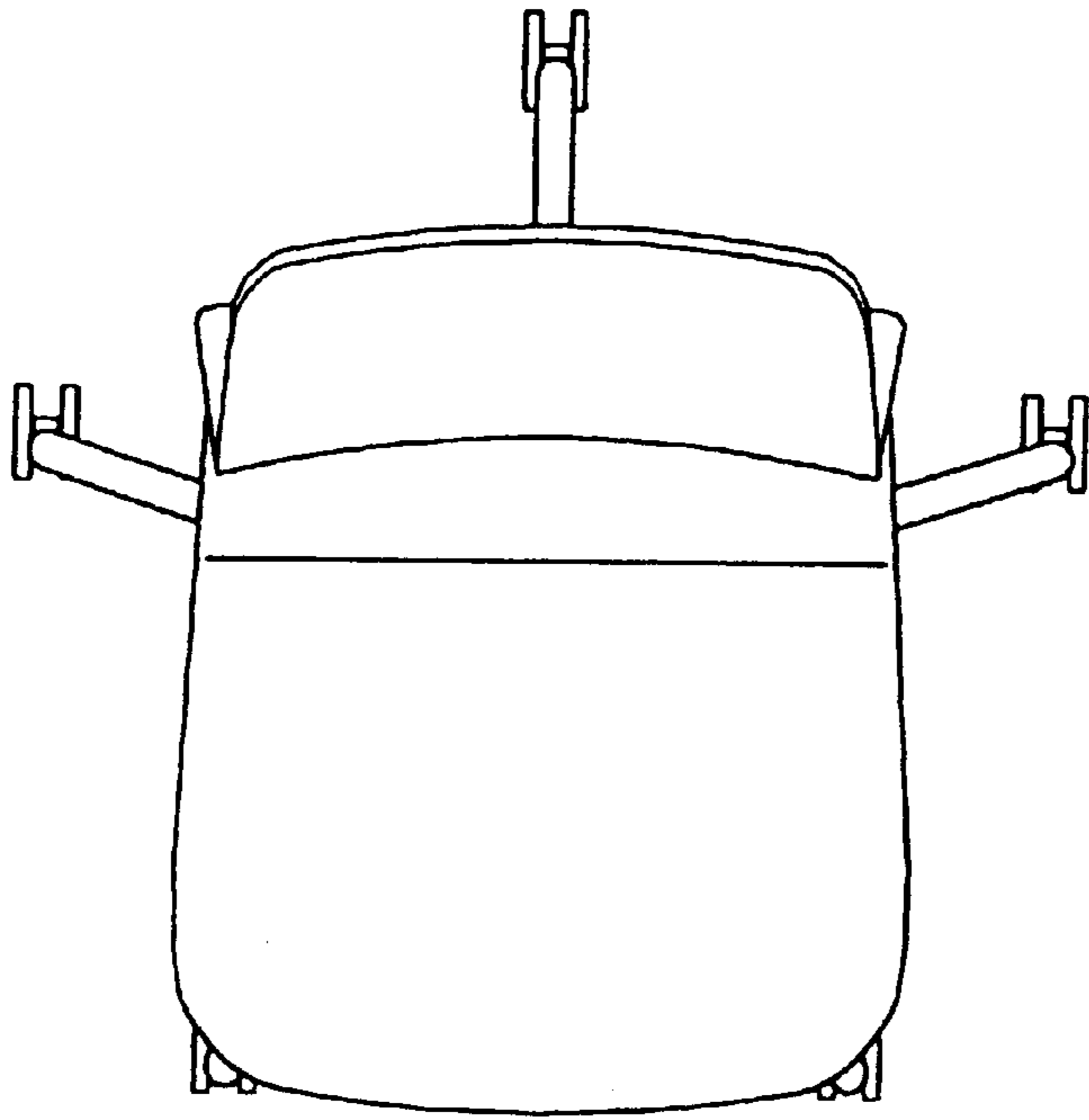


FIG. 3

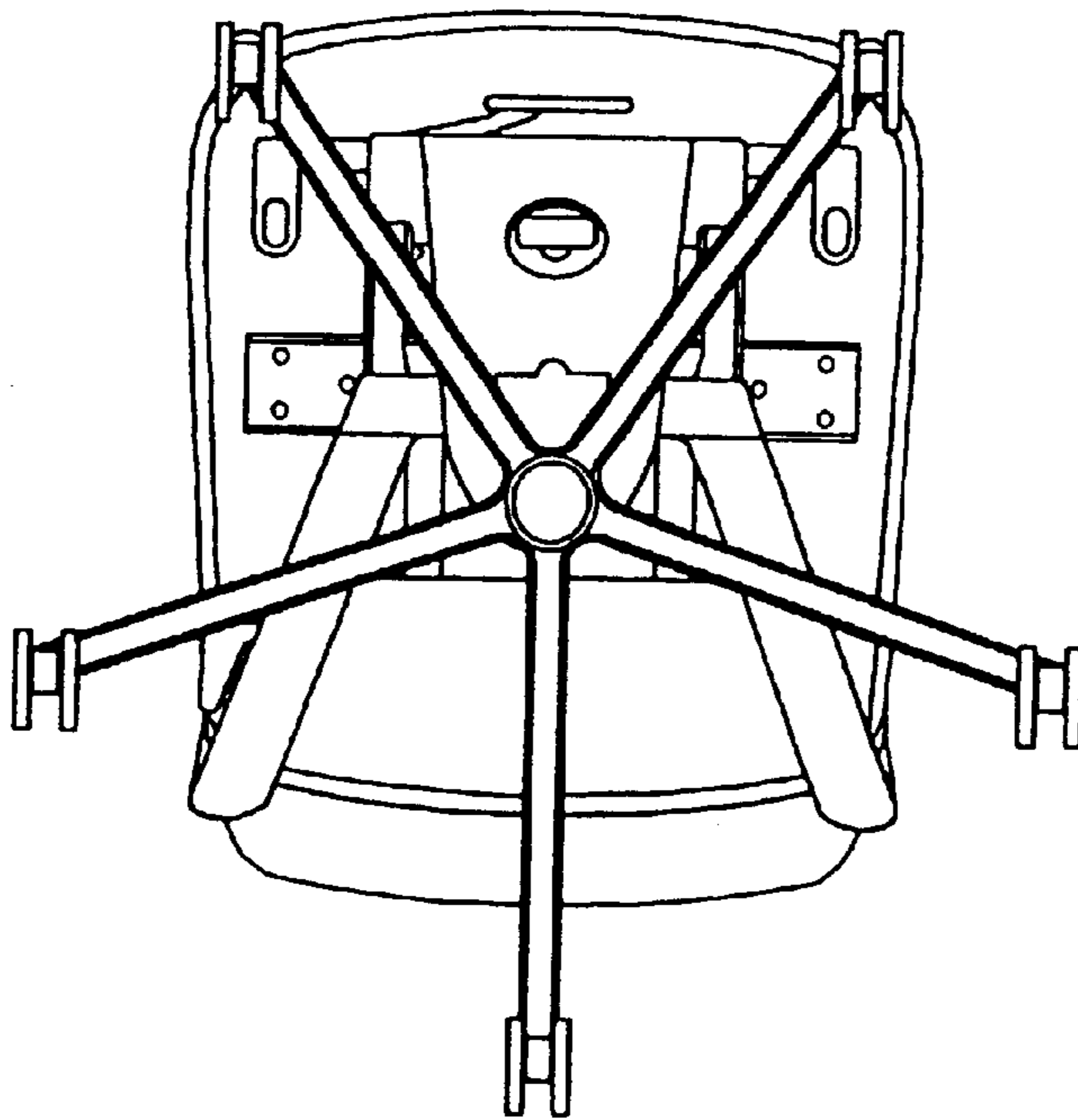


FIG. 4

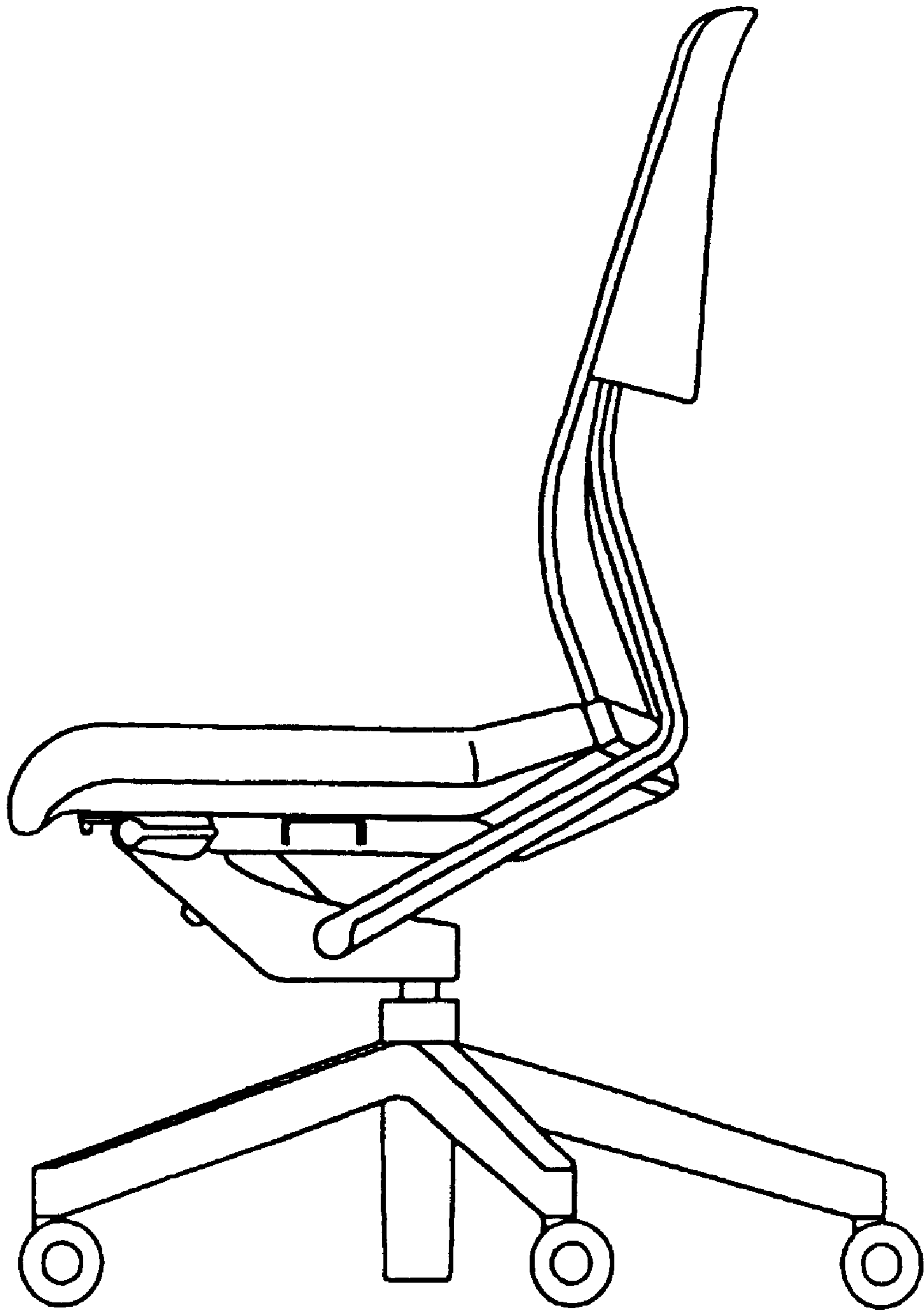


FIG. 5

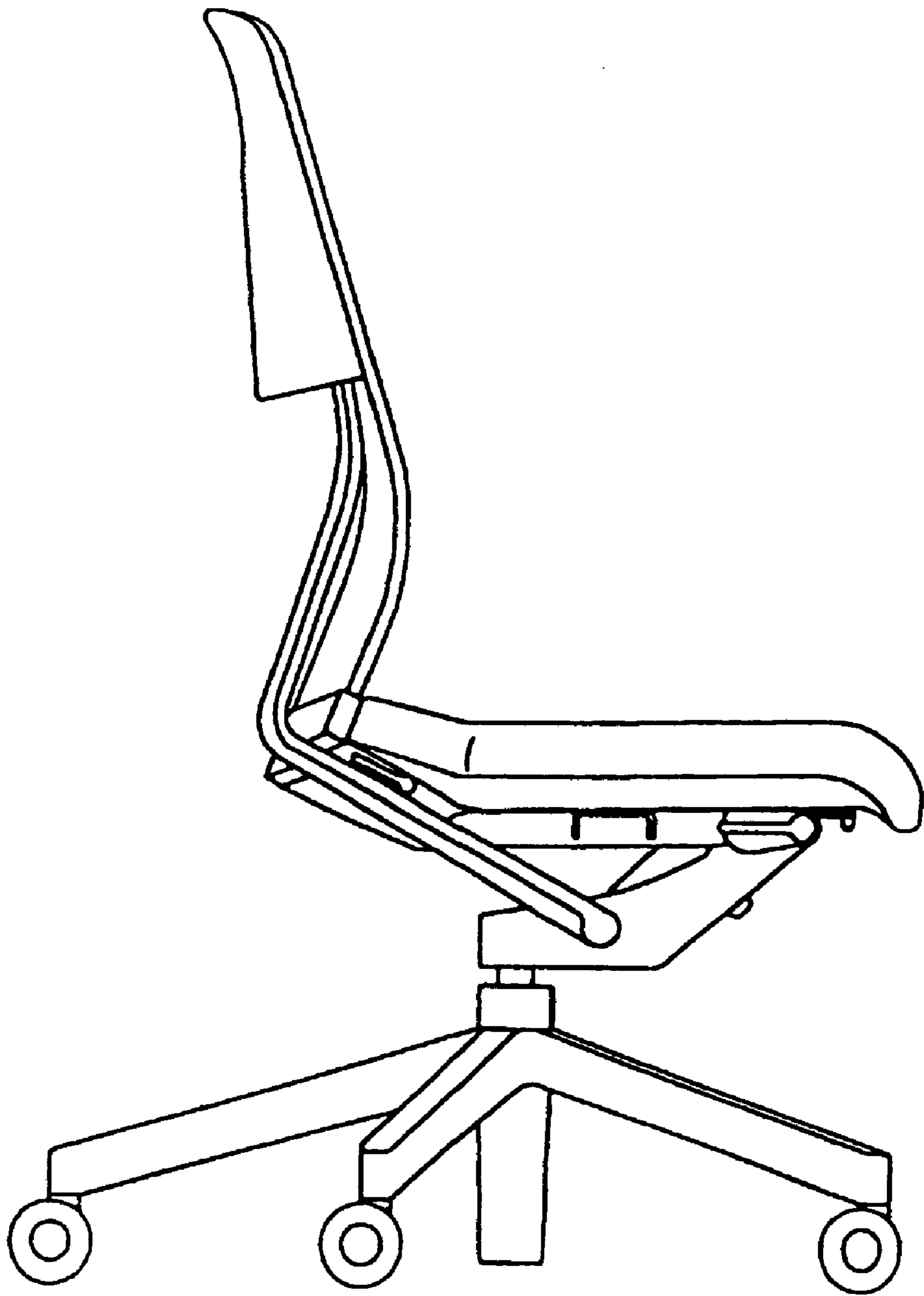


FIG. 6