



US00D487543S

(12) **United States Design Patent**
Chang

(10) **Patent No.:** **US D487,543 S**

(45) **Date of Patent:** **** Mar. 16, 2004**

(54) **BASE OF A GOLF BAG**

6,299,183 B1 * 10/2001 Kaneko 280/47.26
6,513,816 B1 * 2/2003 Kijima 280/47.26

(76) **Inventor:** **Ruey-Yang Chang**, No. 2, Hsing Lung
2 Lane, Chia Hou Rd., Wai Pu Hsiang,
Taichung Hsien (TW)

OTHER PUBLICATIONS

Edwin Watts Golf Catalog, 2000, pp. 56 and 57, golf bags.*

(**) **Term:** **14 Years**

* cited by examiner

(21) **Appl. No.:** **29/170,683**

Primary Examiner—Philip S. Hyder

(74) *Attorney, Agent, or Firm*—Harrison & Egbert

(22) **Filed:** **Nov. 13, 2002**

(57) **CLAIM**

(51) **LOC (7) Cl.** **03-01**

I claim the ornamental design for a base of a golf bag, as shown and described.

(52) **U.S. Cl.** **D3/255; D3/318**

(58) **Field of Search** D3/254, 255, 318,
D3/279; 280/47.5, 47.26, 47.33, 47.315;
206/315.2, 315.3, 315.4, 315.5

DESCRIPTION

(56) **References Cited**

FIG. 1 is an upper perspective view of the base of a golf bag showing my design.

FIG. 2 is a front view thereof;

FIG. 3 is a back view thereof;

FIG. 4 is a side view thereof;

FIG. 5 is an opposite side view thereof;

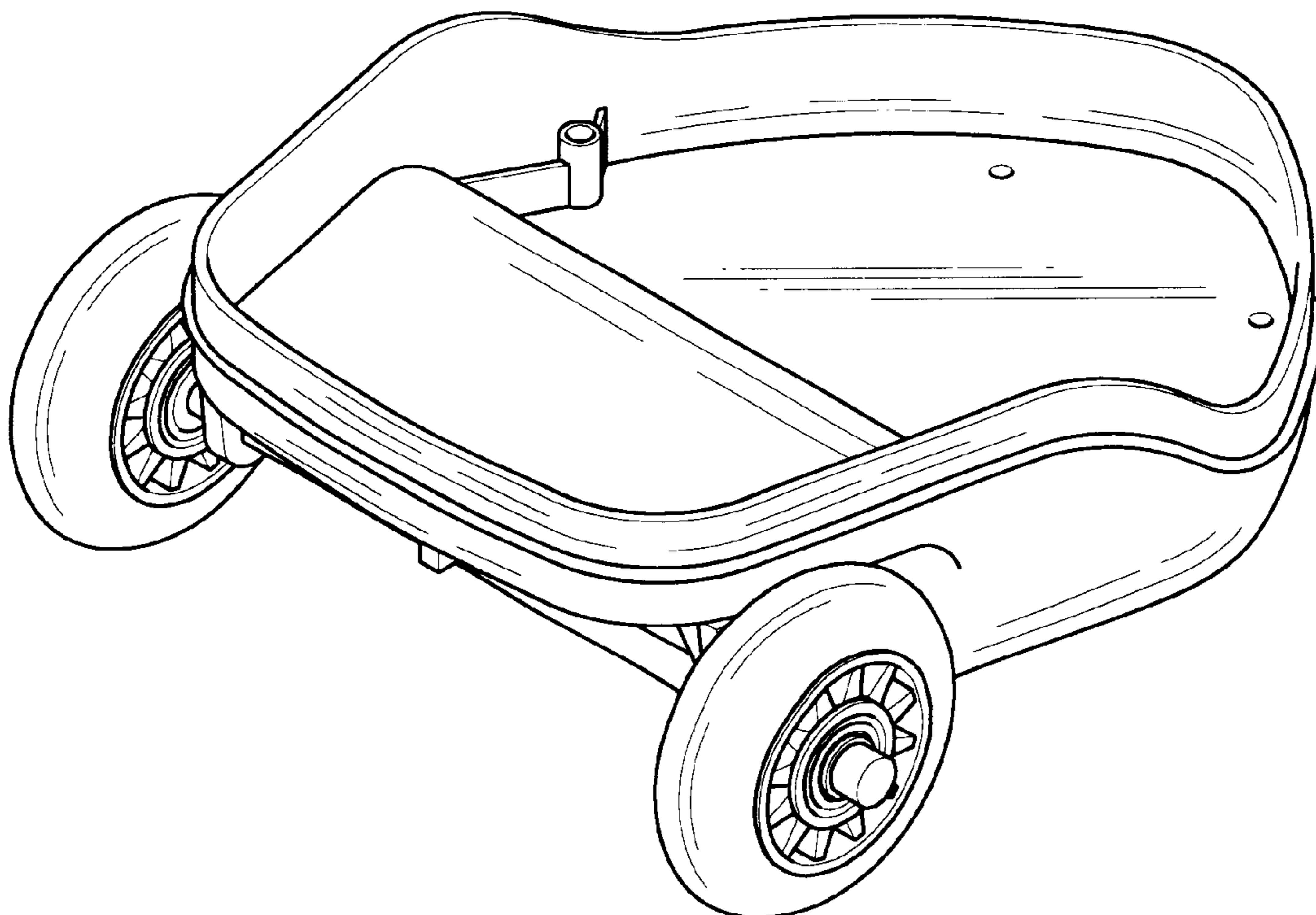
FIG. 6 is a top view thereof; and,

FIG. 7 is a bottom view thereof.

U.S. PATENT DOCUMENTS

5,029,883 A * 7/1991 Derito 280/35
D359,676 S * 6/1995 Liang D8/375
5,924,709 A * 7/1999 Yang 280/47.26
D421,338 S * 3/2000 Moon D3/318
6,056,301 A * 5/2000 Berliner et al. 280/43.1
D438,011 S * 2/2001 Shick D3/318

1 Claim, 4 Drawing Sheets



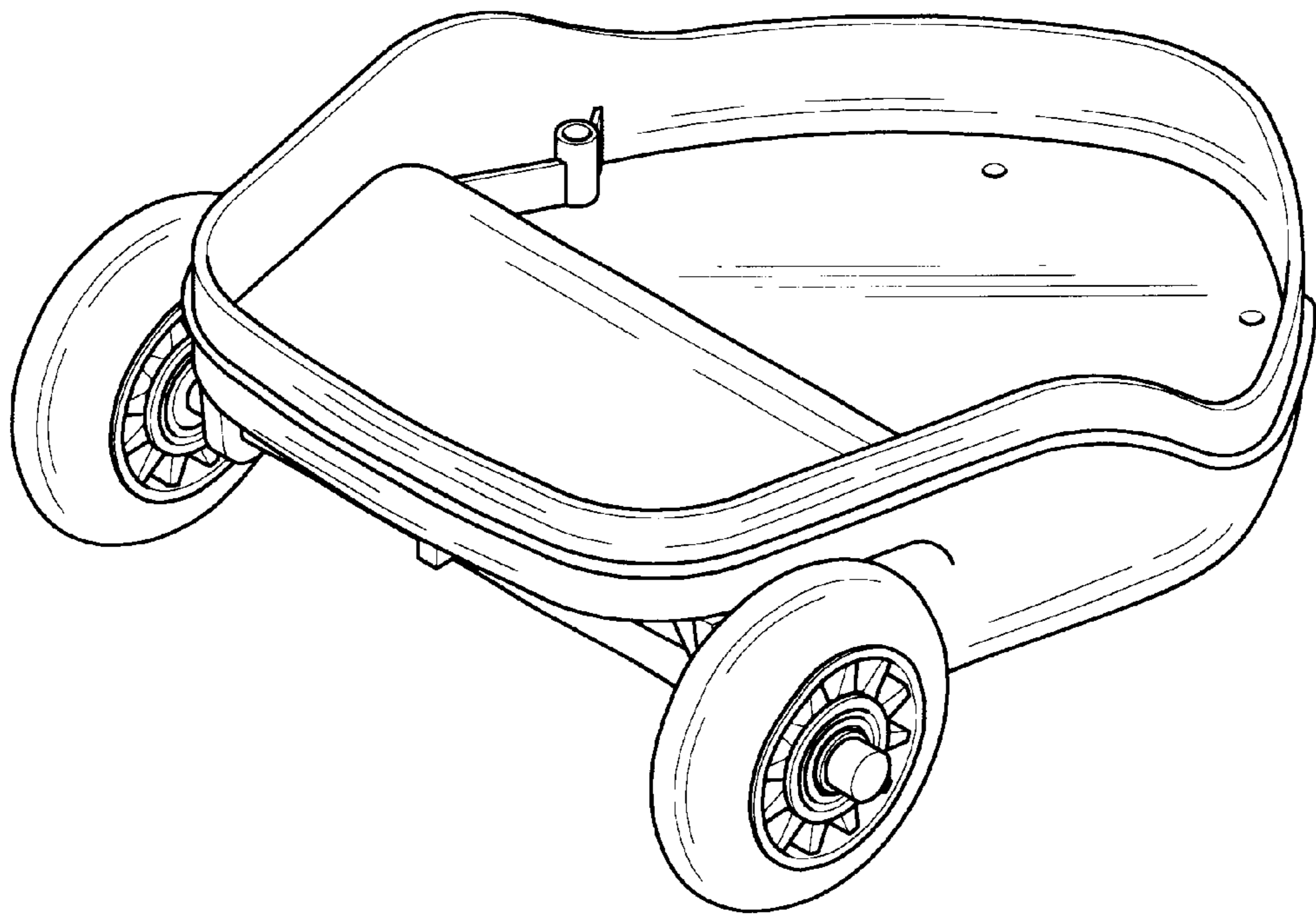


FIG.1

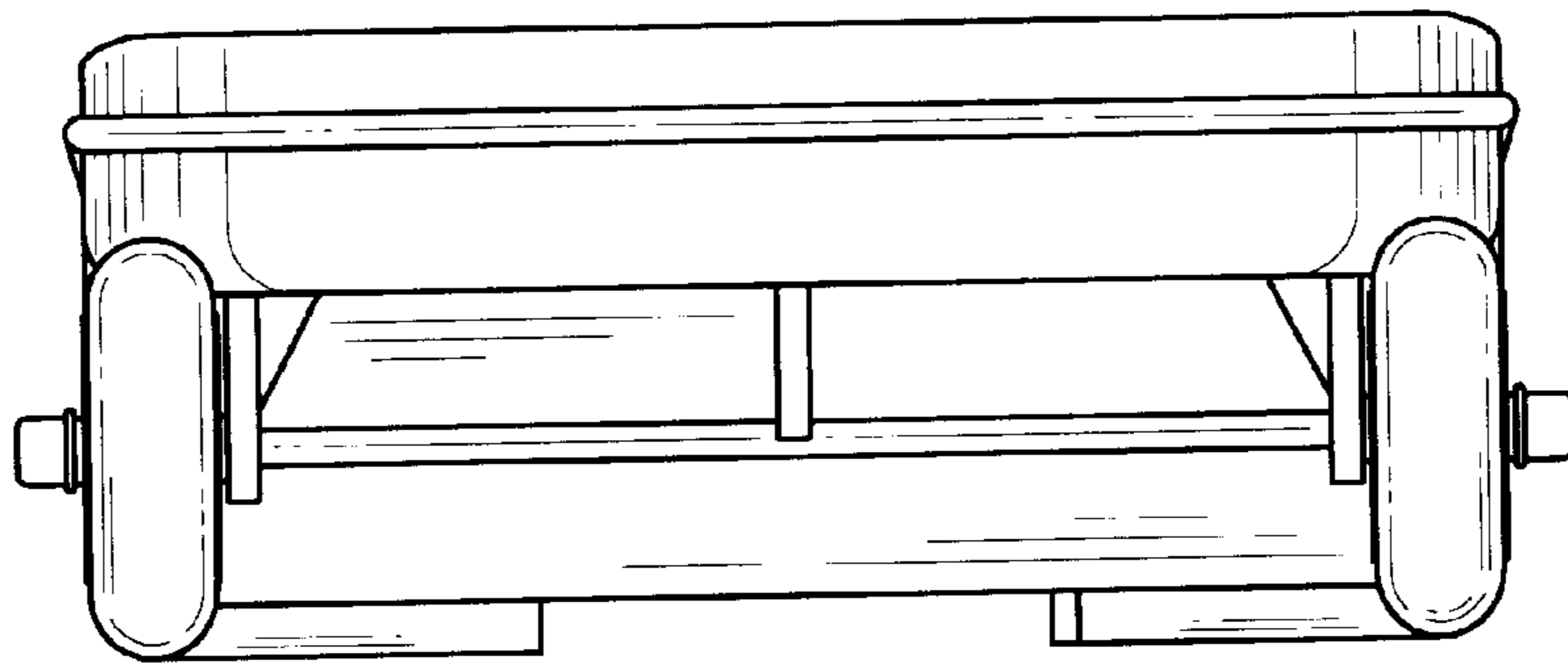


FIG. 2

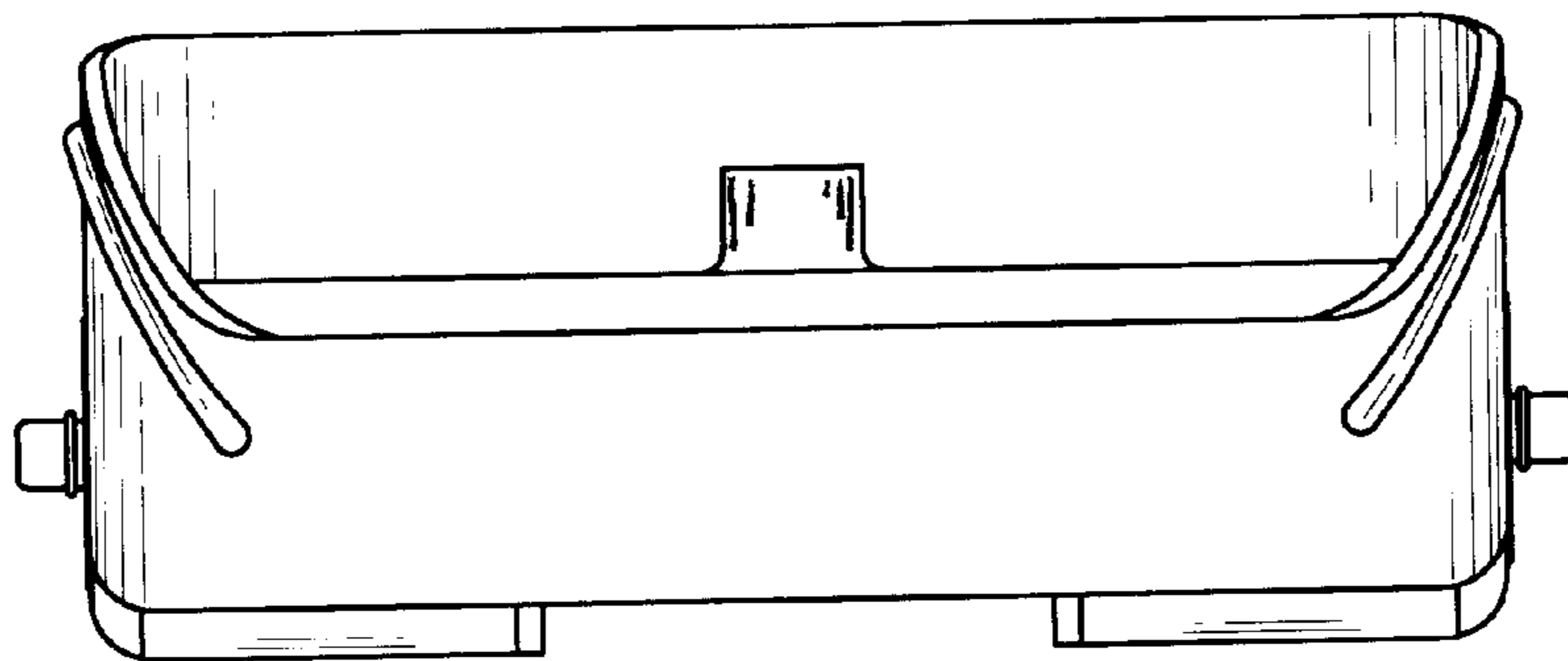


FIG. 3

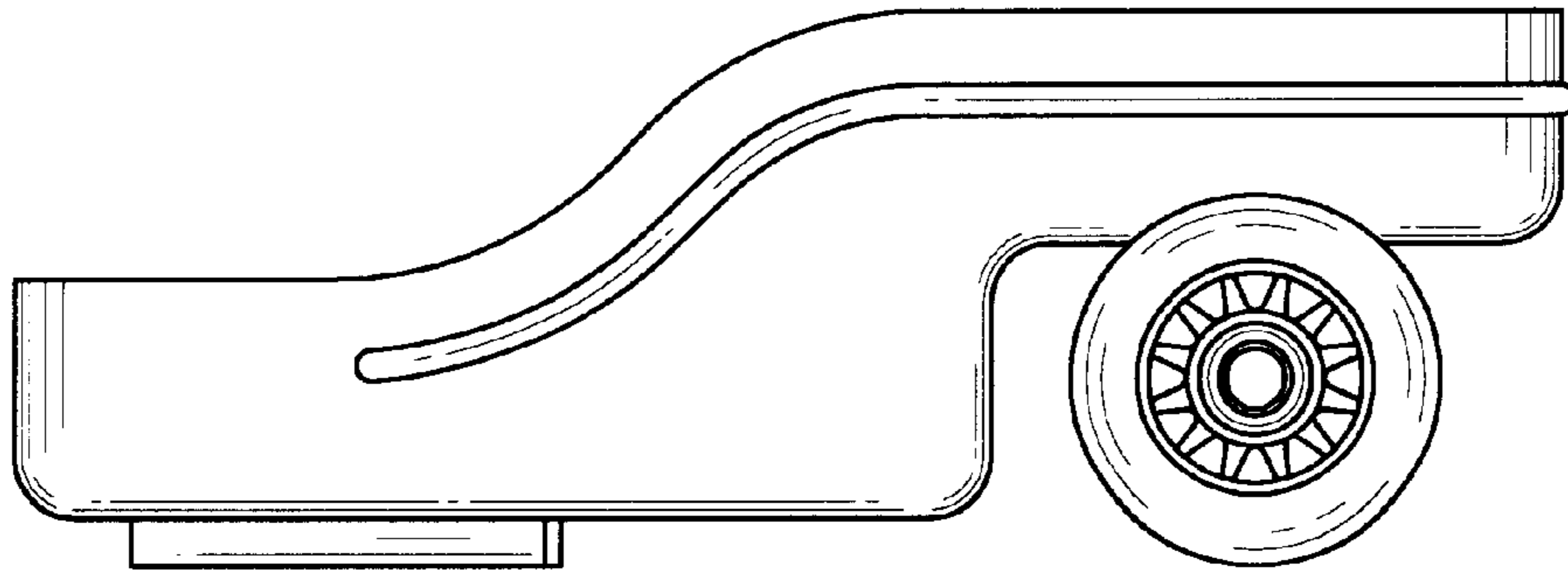


FIG. 4

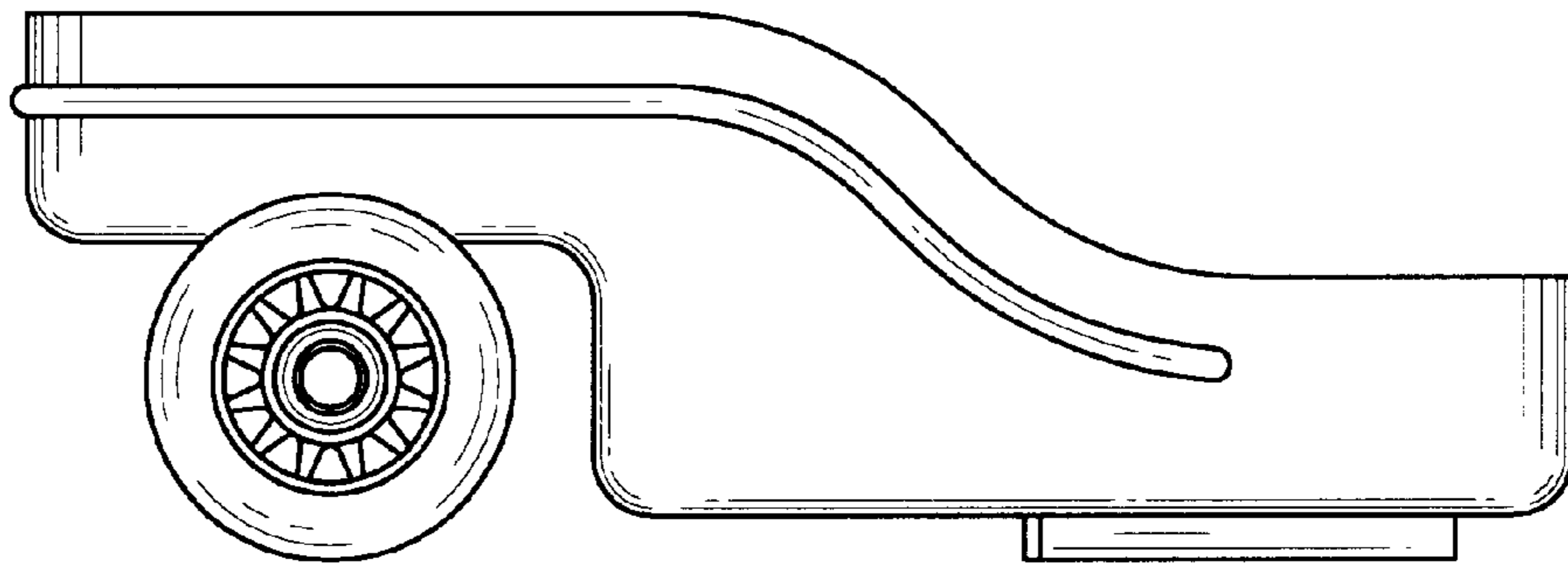


FIG. 5

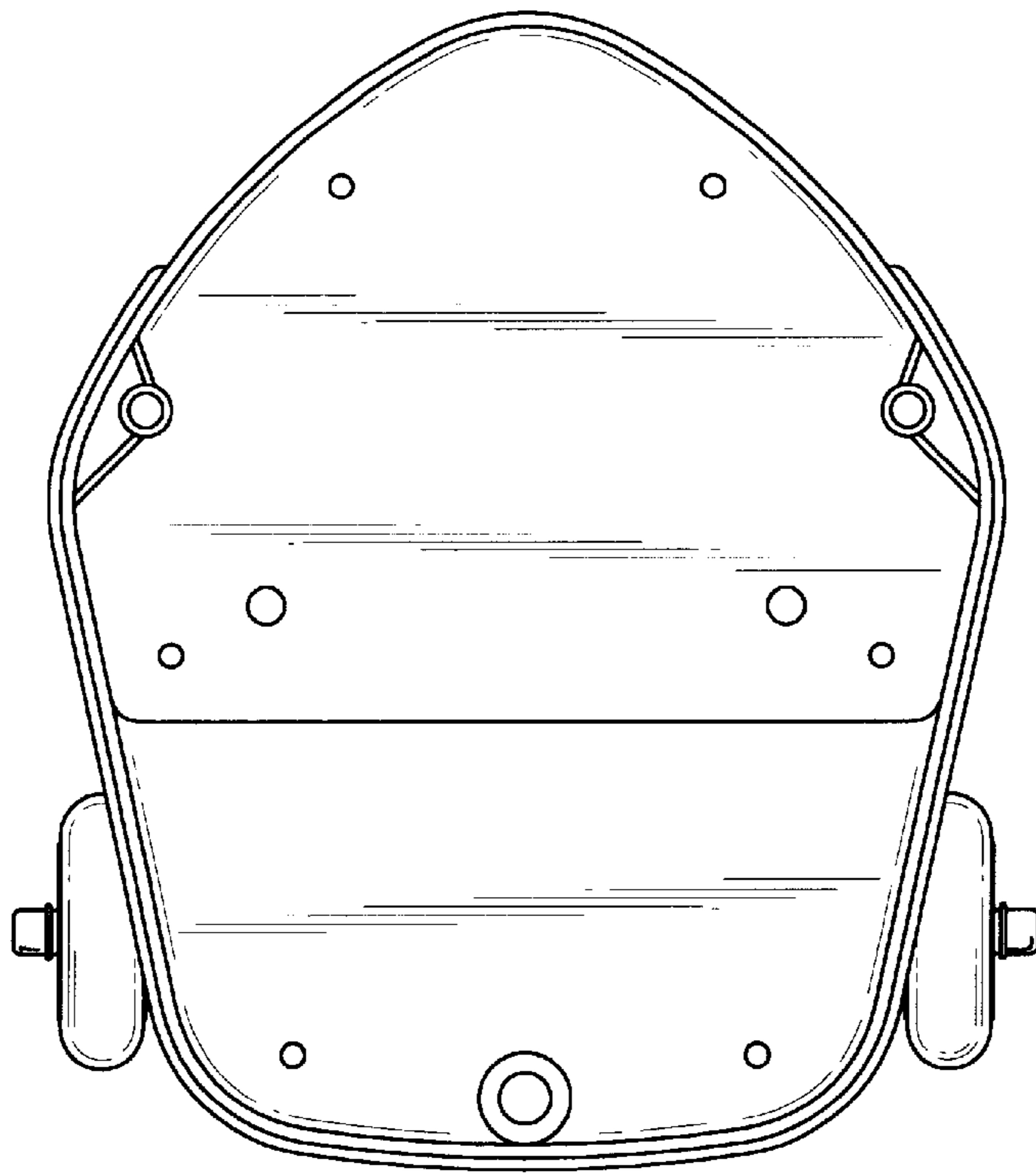


FIG. 6

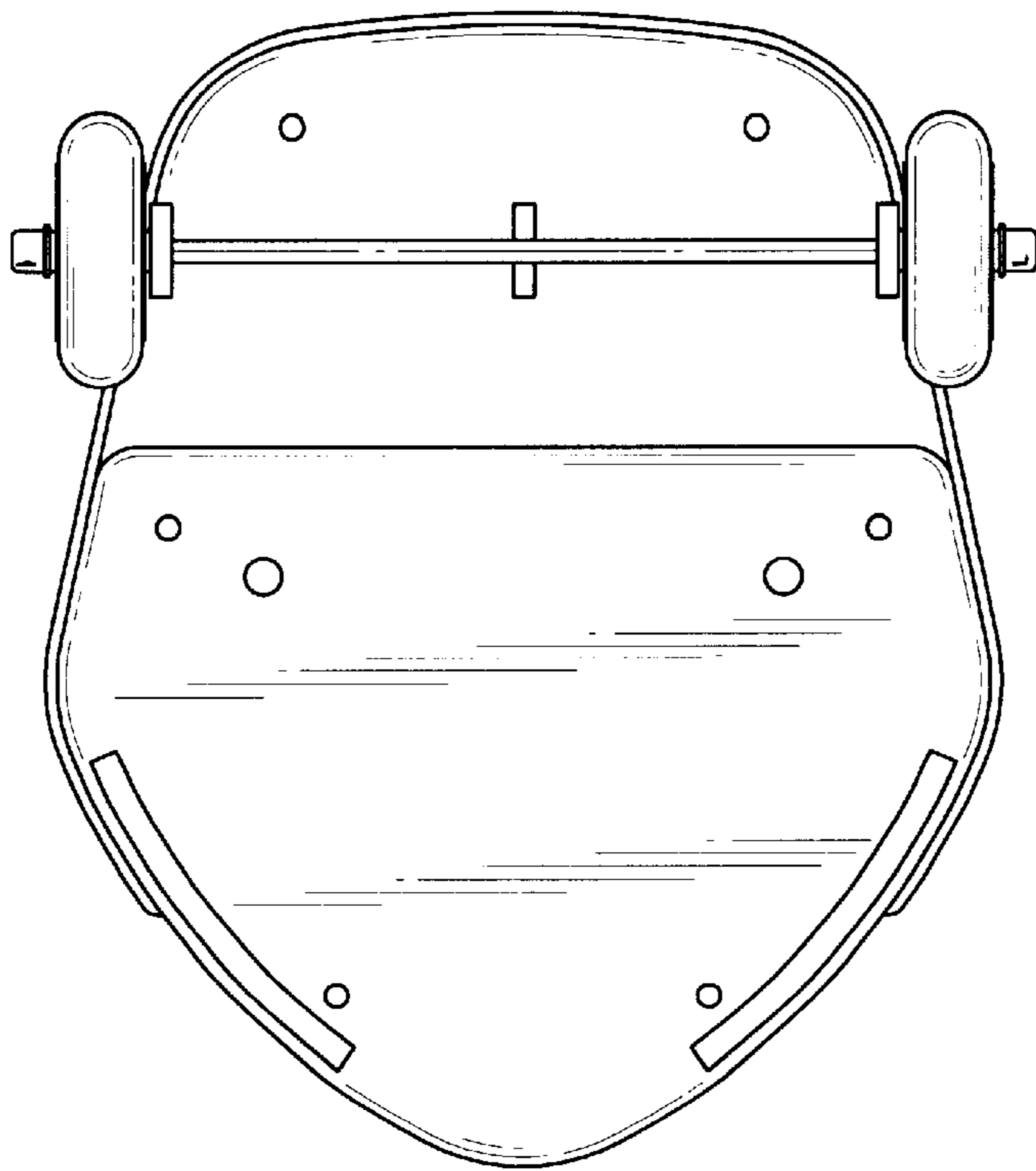


FIG. 7