



US00D487538S

(12) **United States Design Patent** (10) **Patent No.:** **US D487,538 S**  
**Skalka** (45) **Date of Patent:** **\*\* Mar. 9, 2004**

(54) **TRASH CAN RECEPTACLE**

(74) *Attorney, Agent, or Firm*—Jacobson Holman PLLC

(75) **Inventor:** **Gerald P. Skalka**, Potomac, MD (US)

(57) **CLAIM**

(73) **Assignee:** **Victor Stanley, Inc.**, Dunkirk, MD (US)

The ornamental design for a trash can receptacle, as shown and described.

(\*\*) **Term:** **14 Years**

**DESCRIPTION**

(21) **Appl. No.:** **29/174,813**

FIG. 1 is a perspective view of a trash can receptacle showing a first embodiment of my new design, shown with the door in an open position;

(22) **Filed:** **Jan. 27, 2003**

FIG. 2 is a perspective view of the trash can receptacle of FIG. 1, shown with the door in a closed position;

**Related U.S. Application Data**

(62) Division of application No. 29/146,107, filed on Aug. 6, 2001, which is a continuation-in-part of application No. 29/118,677, filed on Feb. 11, 2000, now Pat. No. Des. 452,760, and a continuation-in-part of application No. 29/121,054, filed on Mar. 31, 2000, now Pat. No. Des. 454,238, which is a division of application No. 29/099,029, filed on Jan. 12, 1999, now Pat. No. Des. 441,932.

FIG. 3 is a left side elevational view of the trash can receptacle of FIG. 1, shown with the door in a closed position;

(51) **LOC (7) Cl.** ..... **09-09**

FIG. 4 is a front elevational view of the trash can receptacle of FIG. 1, shown with the door in a closed position;

(52) **U.S. Cl.** ..... **D34/7**

FIG. 5 is a rear elevational view of the trash can receptacle of FIG. 1, shown with the door in a closed position;

(58) **Field of Search** ..... D34/1, 4, 5, 6, D34/7, 8, 9, 10, 11; 220/908, 908.1, 909, 910, 911

FIG. 6 is a top plan view of the trash can receptacle of FIG. 1, shown with the door in a closed position;

(56) **References Cited**

**U.S. PATENT DOCUMENTS**

711,410 A	10/1902	Means
1,080,470 A	12/1913	Nutter et al.
D51,368 S	10/1917	Ellis
1,512,976 A	10/1924	Burkhardt
D195,906 S	8/1963	Hickerson
D216,372 S	12/1969	Lipko
D304,253 S	10/1989	Skalka

(List continued on next page.)

**OTHER PUBLICATIONS**

Victor Stanley, Inc. Products, Ironsites™ Series: S-42, Lid Options, [www.victorstanley.com/html/prod/ironsites-s42.html](http://www.victorstanley.com/html/prod/ironsites-s42.html) (Mar. 11, 2002).

FIG. 7 is a bottom plan view of the trash can receptacle of FIG. 1, shown with the door in a closed position;

FIG. 8 is a perspective view of a trash can receptacle showing a second embodiment of my new design, shown with the door in an open position;

FIG. 9 is a perspective view of the trash can receptacle of FIG. 8, shown with the door in a closed position;

FIG. 10 is a left side elevational view of the trash can receptacle of FIG. 8, shown with the door in a closed position;

FIG. 11 is a front elevational view of the trash can receptacle of FIG. 8, shown with the door in a closed position;

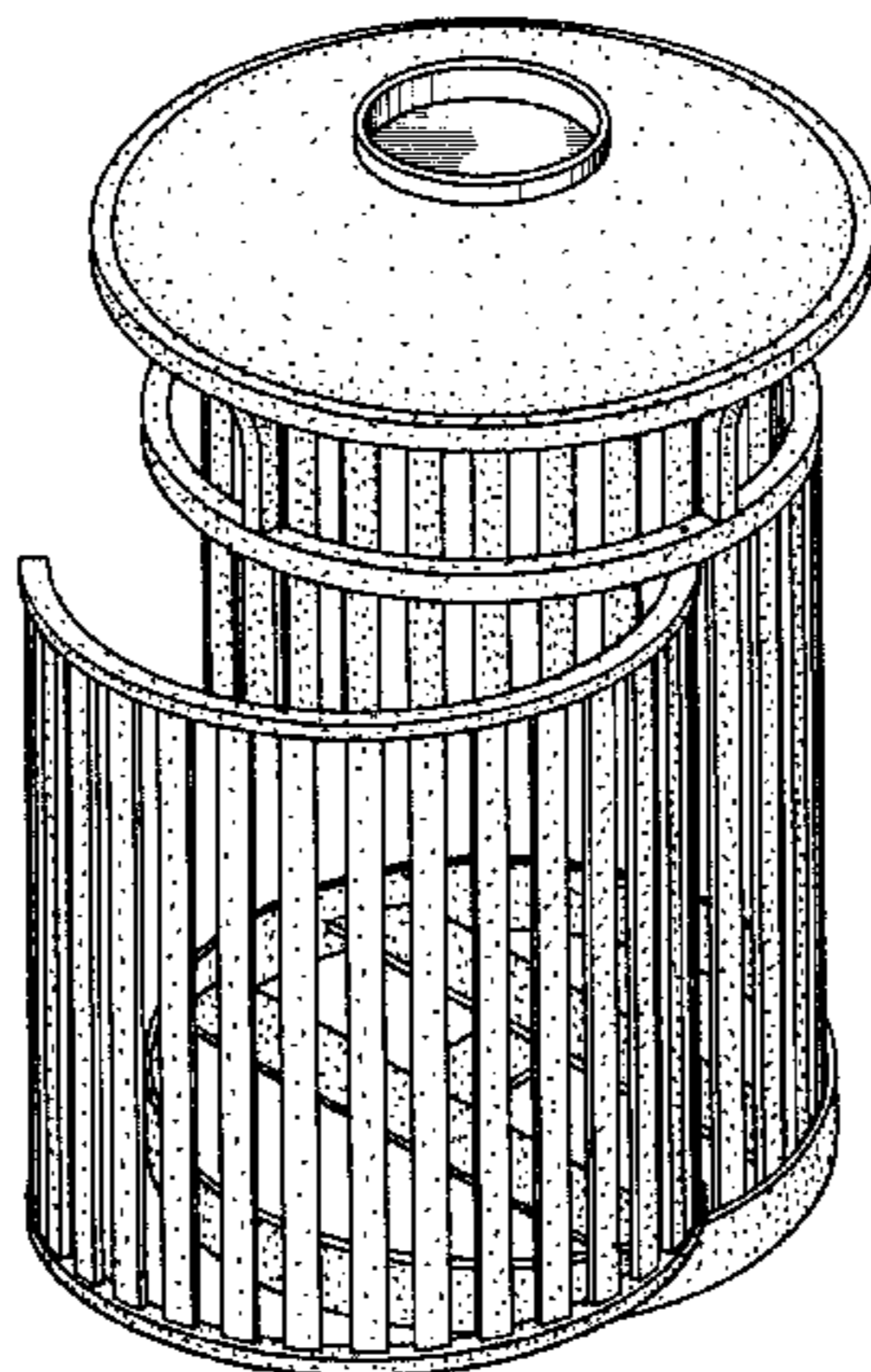
FIG. 12 is a rear elevational view of the trash can receptacle of FIG. 8, shown with the door in a closed position;

FIG. 13 is a top plan view of the trash can receptacle of FIG. 8, shown with the door in a closed position; and,

FIG. 14 is a bottom plan view of the trash can receptacle of FIG. 8, shown with the door in a closed position.

*Primary Examiner*—Cynthia E. Ramirez

**1 Claim, 6 Drawing Sheets**



# US D487,538 S

Page 2

---

## U.S. PATENT DOCUMENTS

D304,632 S	11/1989	Skalka	5,624,050 A	4/1997	Haas
D306,928 S	3/1990	Hanna	D391,723 S	3/1998	McCombs
4,955,497 A	9/1990	Winden et al.	D397,361 S	8/1998	Goodman et al.
D314,461 S	2/1991	Skalka	D424,769 S	5/2000	Hornyak
D322,347 S	12/1991	Skalka	D441,932 S	5/2001	Skalka
D322,348 S	12/1991	Skalka	D445,982 S	7/2001	Skalka
D353,250 S	12/1994	Skalka	D450,166 S	11/2001	Skalka
D371,657 S	7/1996	Kirn et al.	D452,760 S	1/2002	Skalka
			D454,238 S	3/2002	Skalka
			D458,431 S	6/2002	Skalka

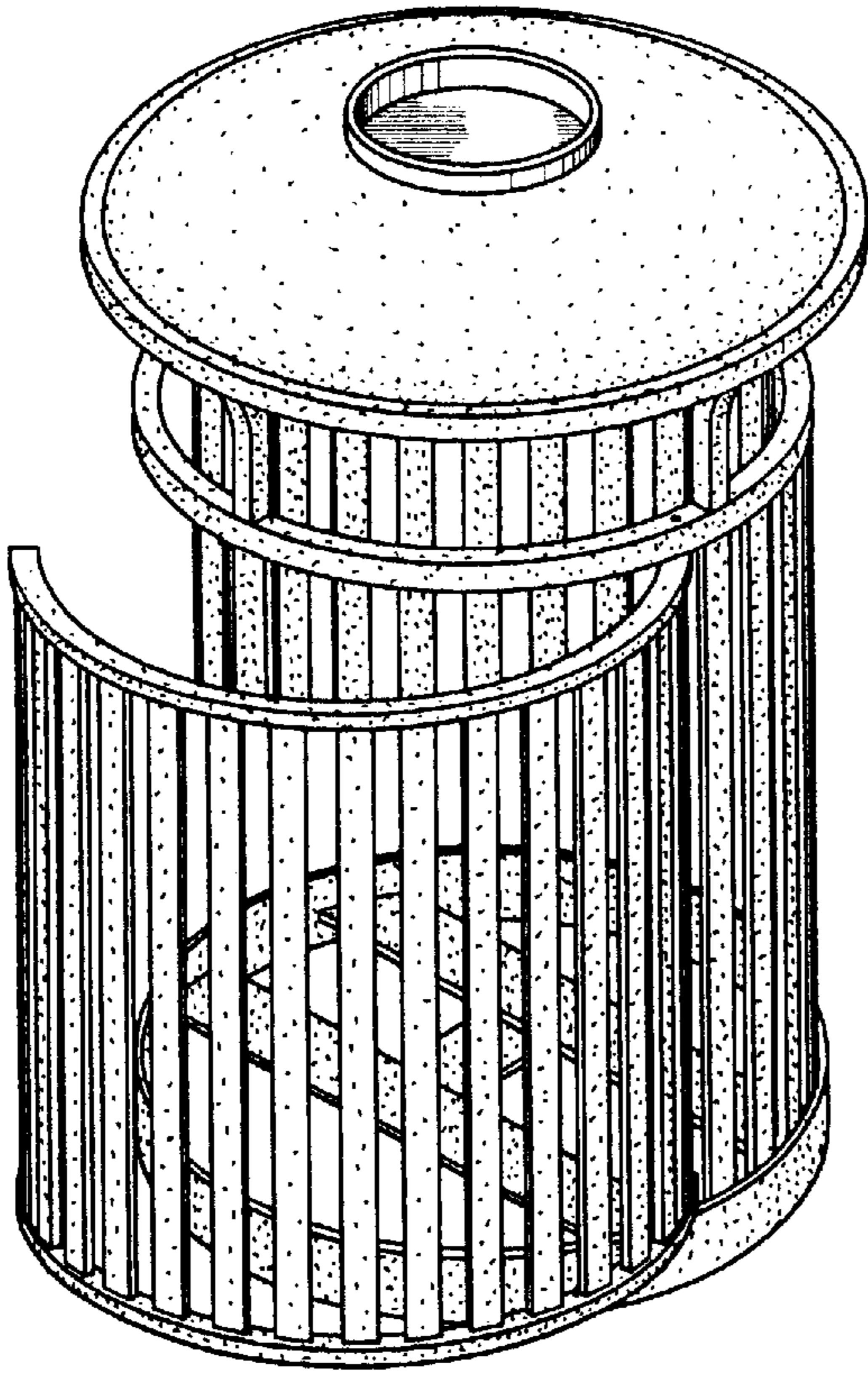


FIG. 1

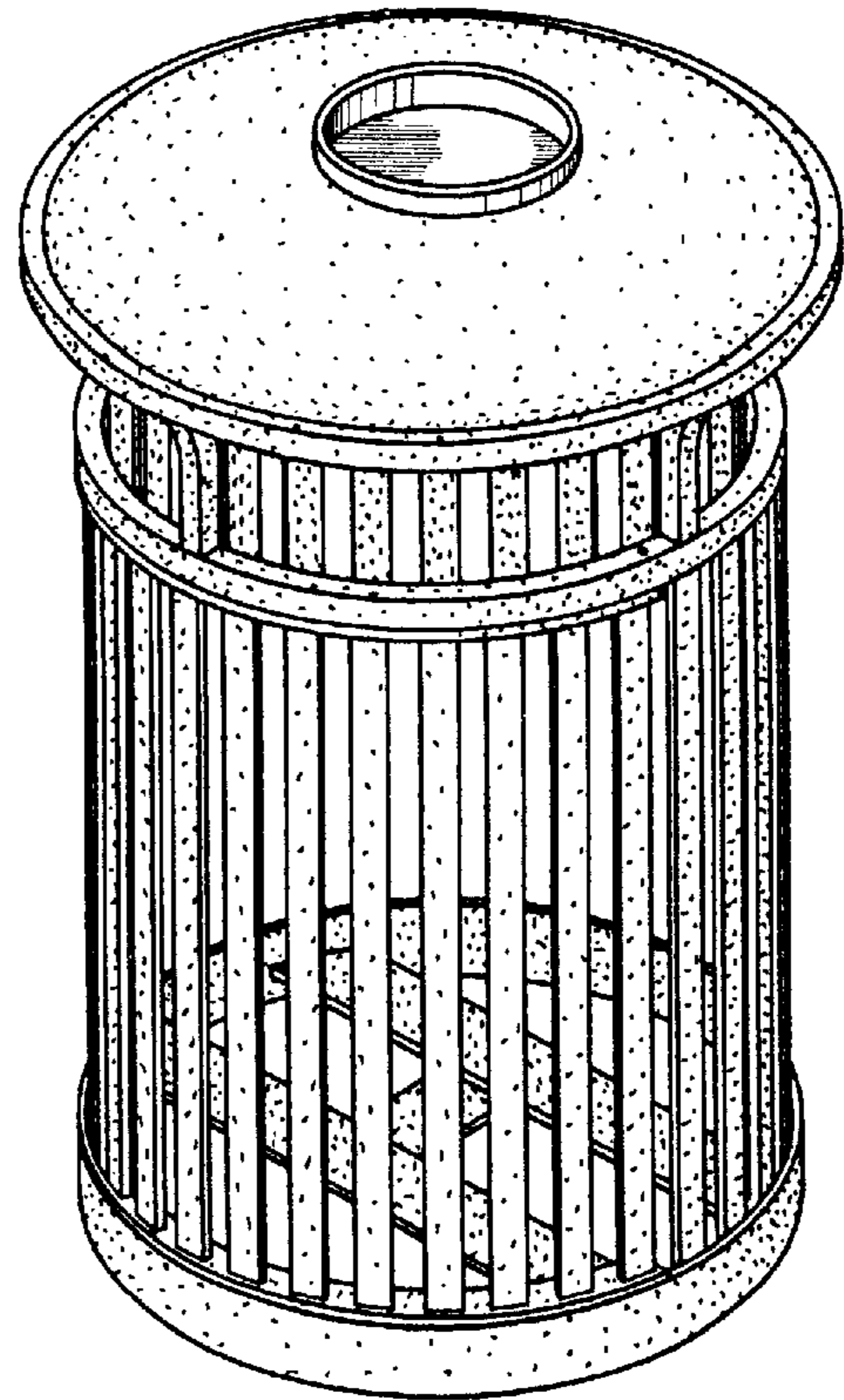


FIG. 2

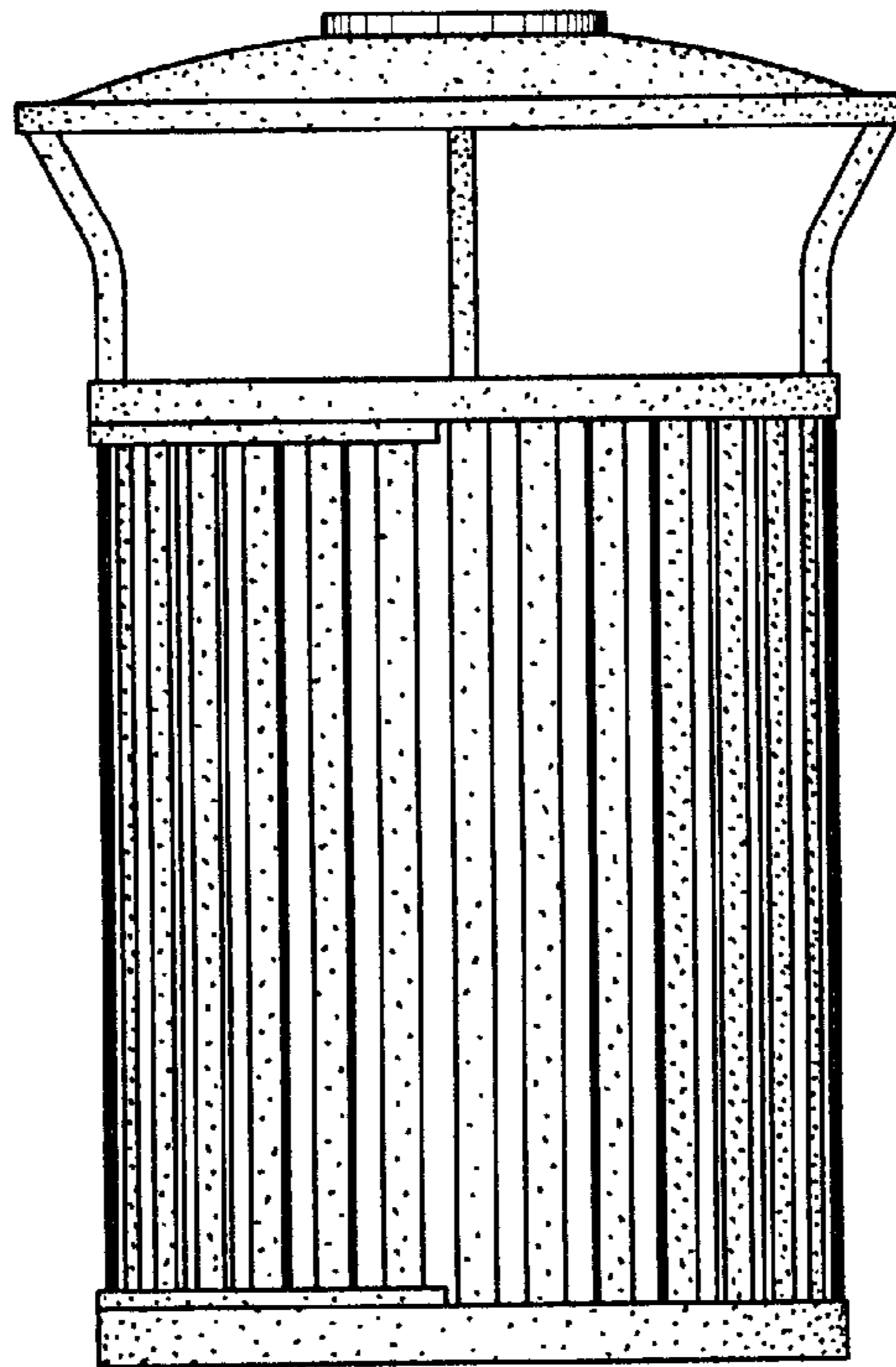


FIG. 3

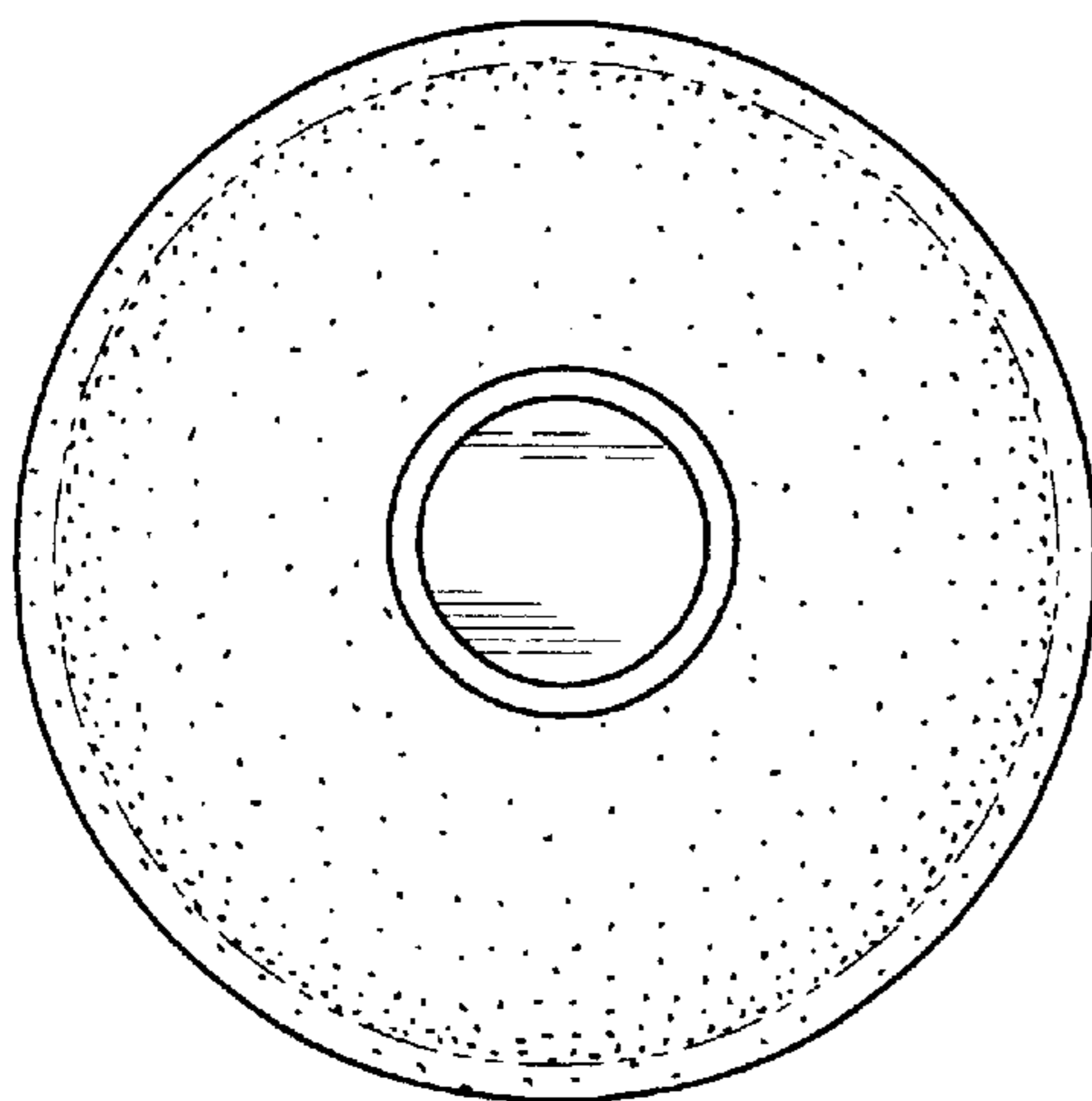


FIG. 6

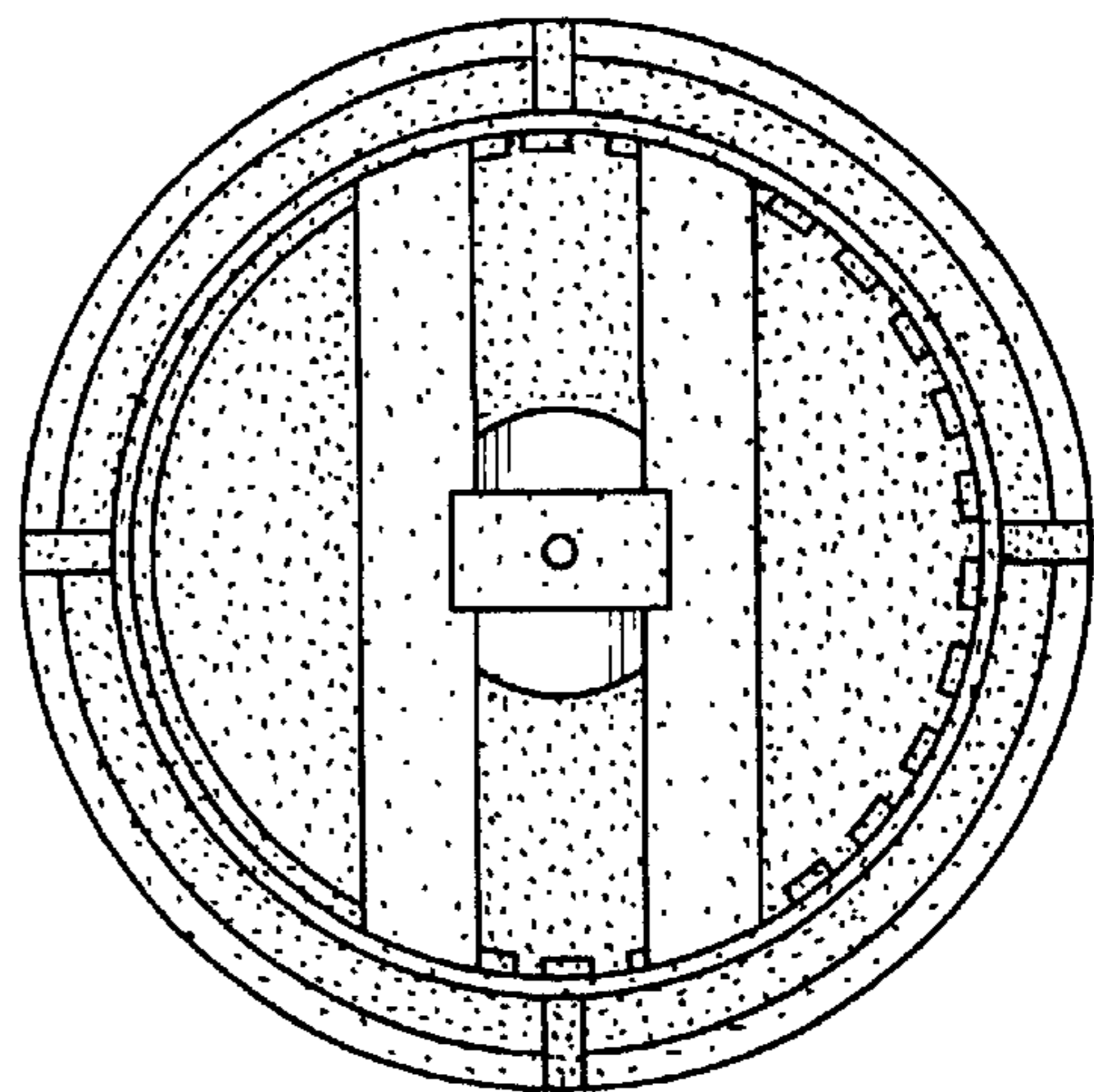


FIG. 7

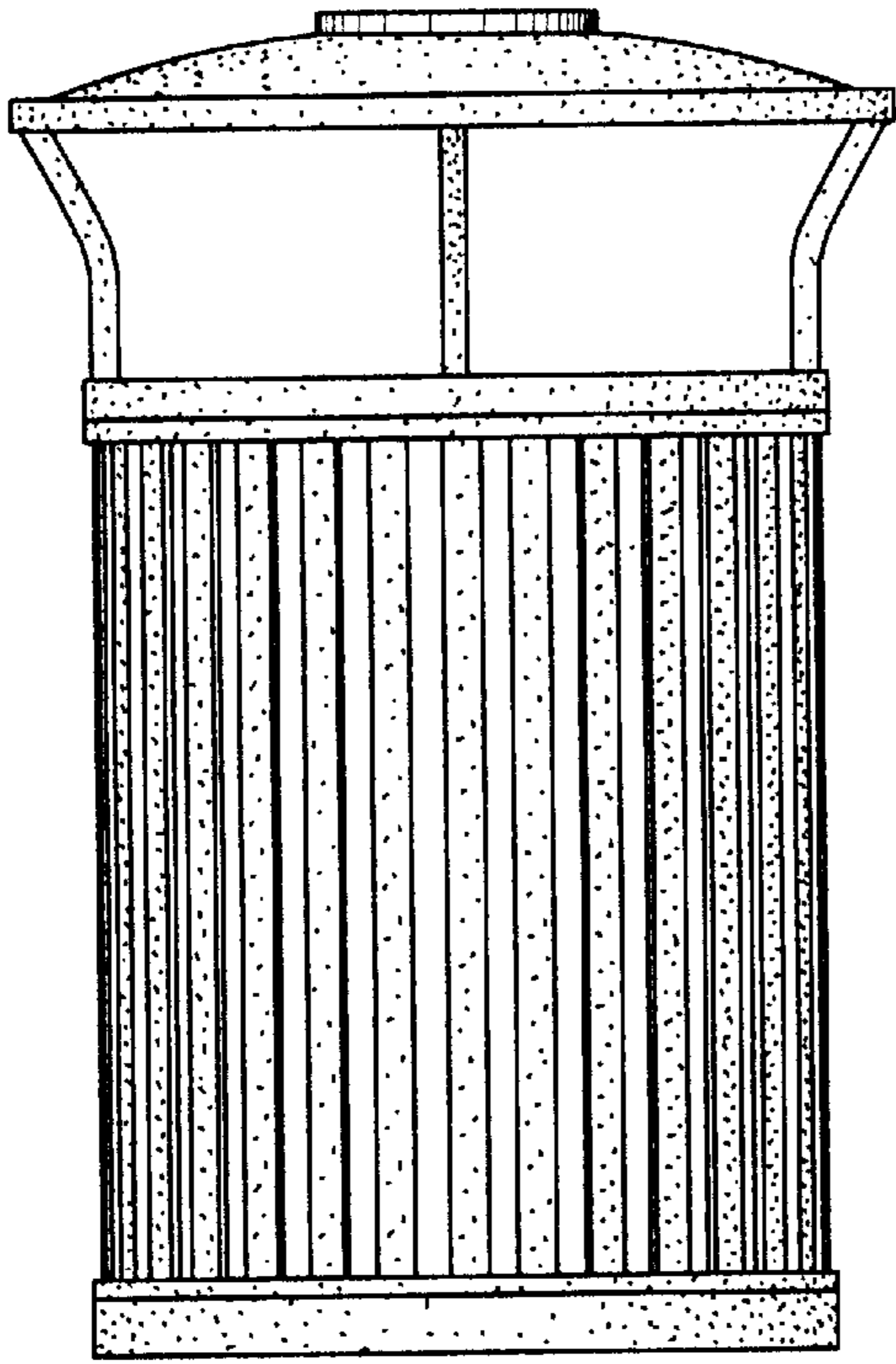


FIG. 4

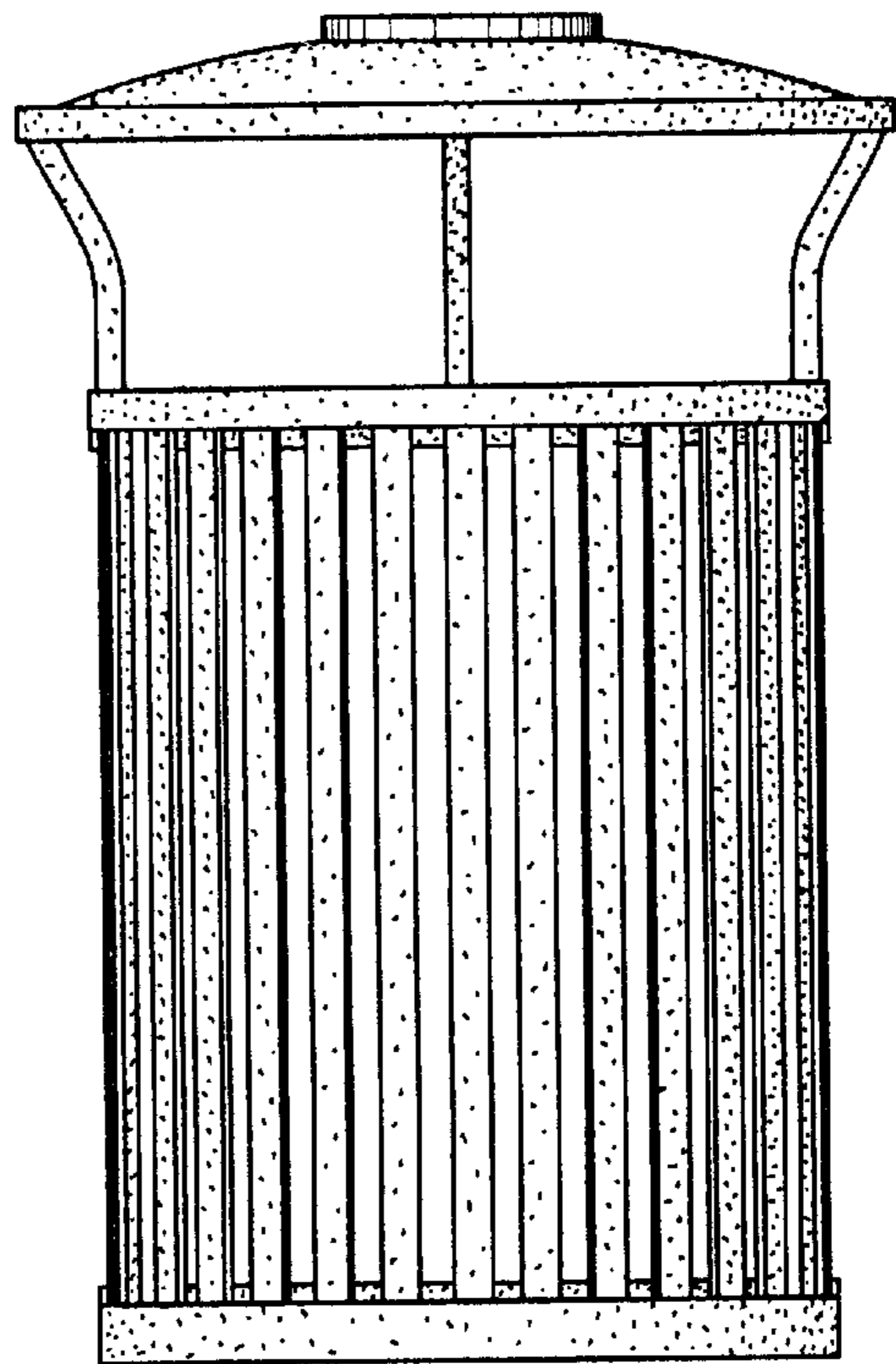


FIG. 5

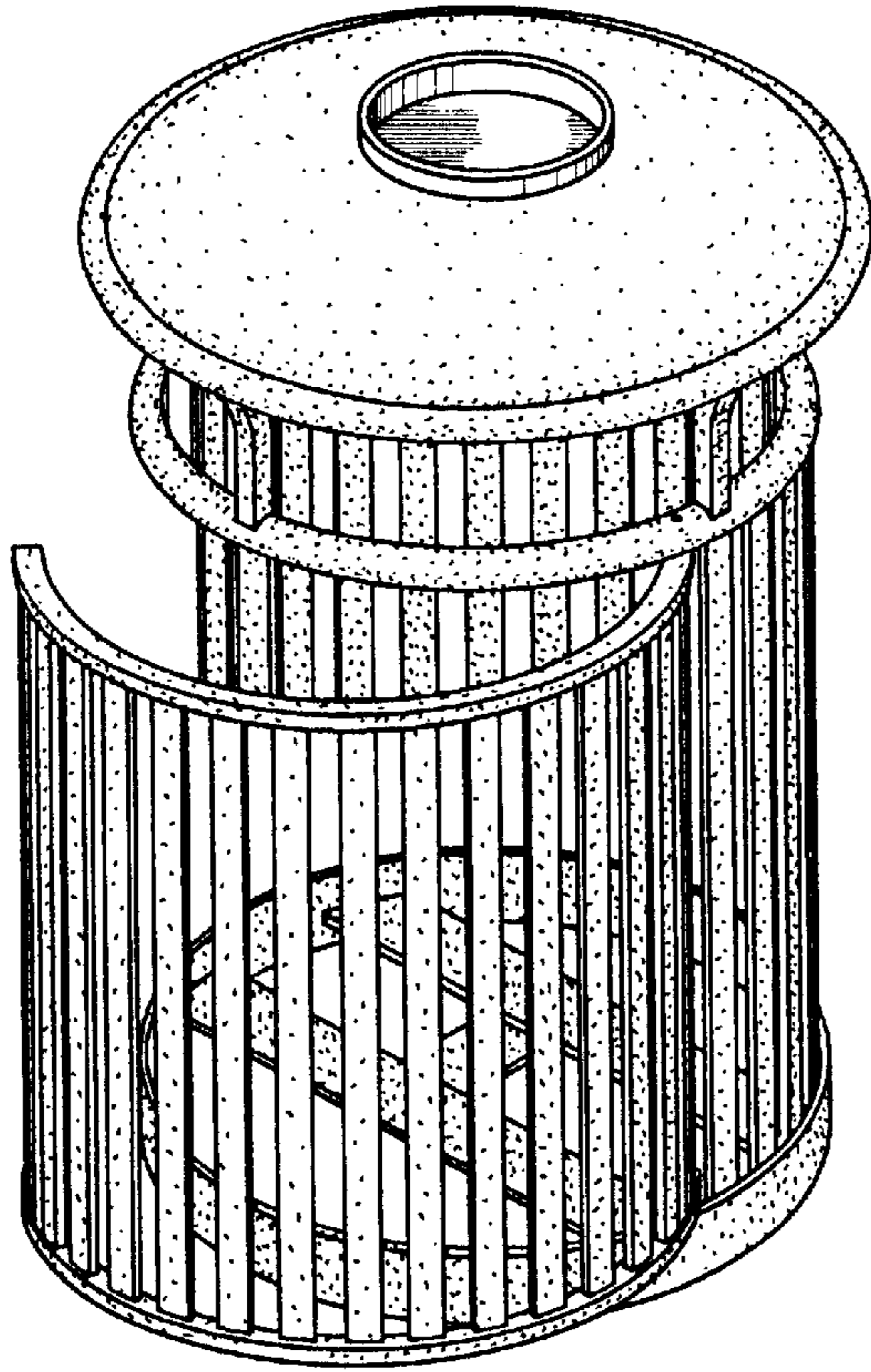


FIG. 8

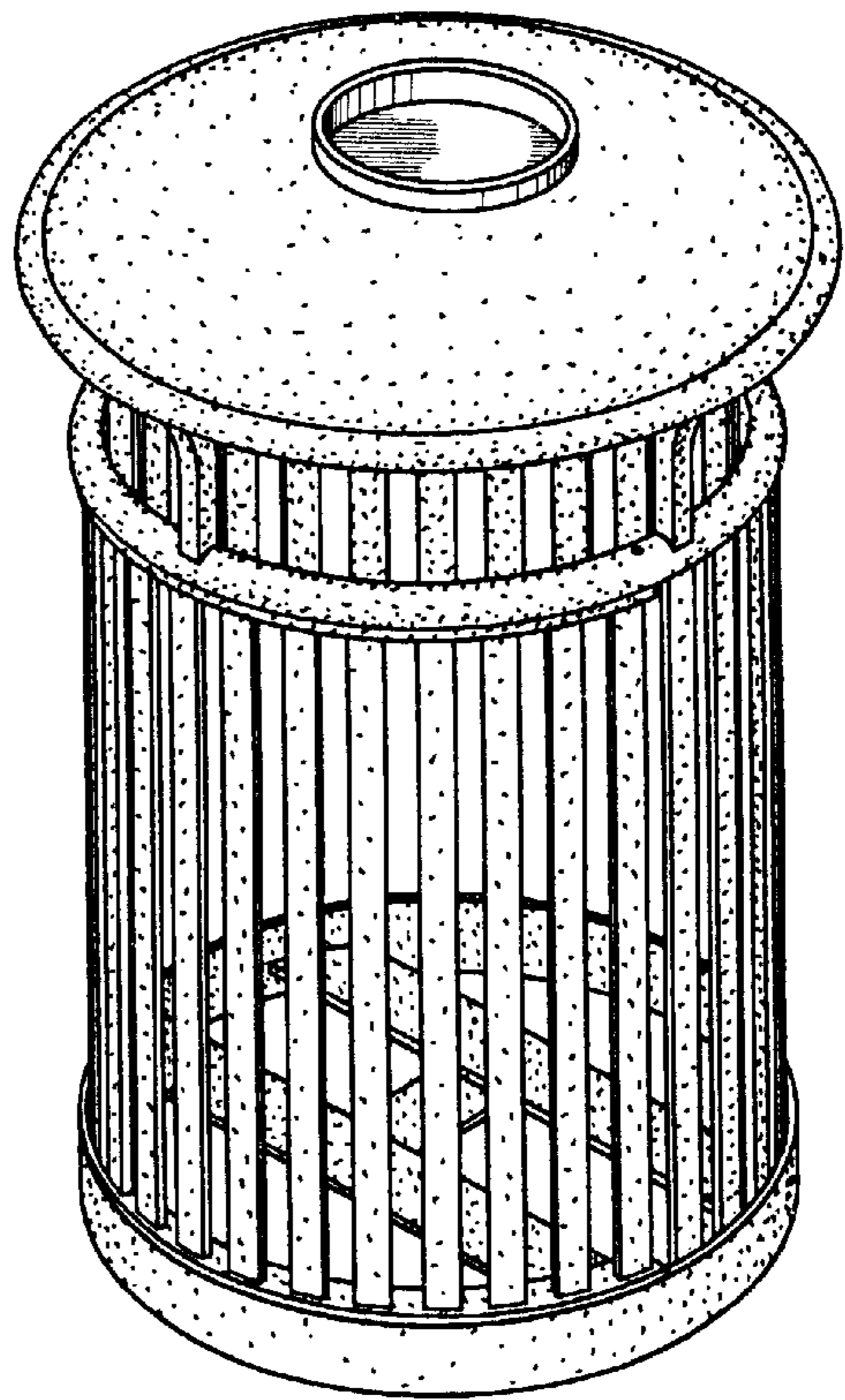


FIG. 9

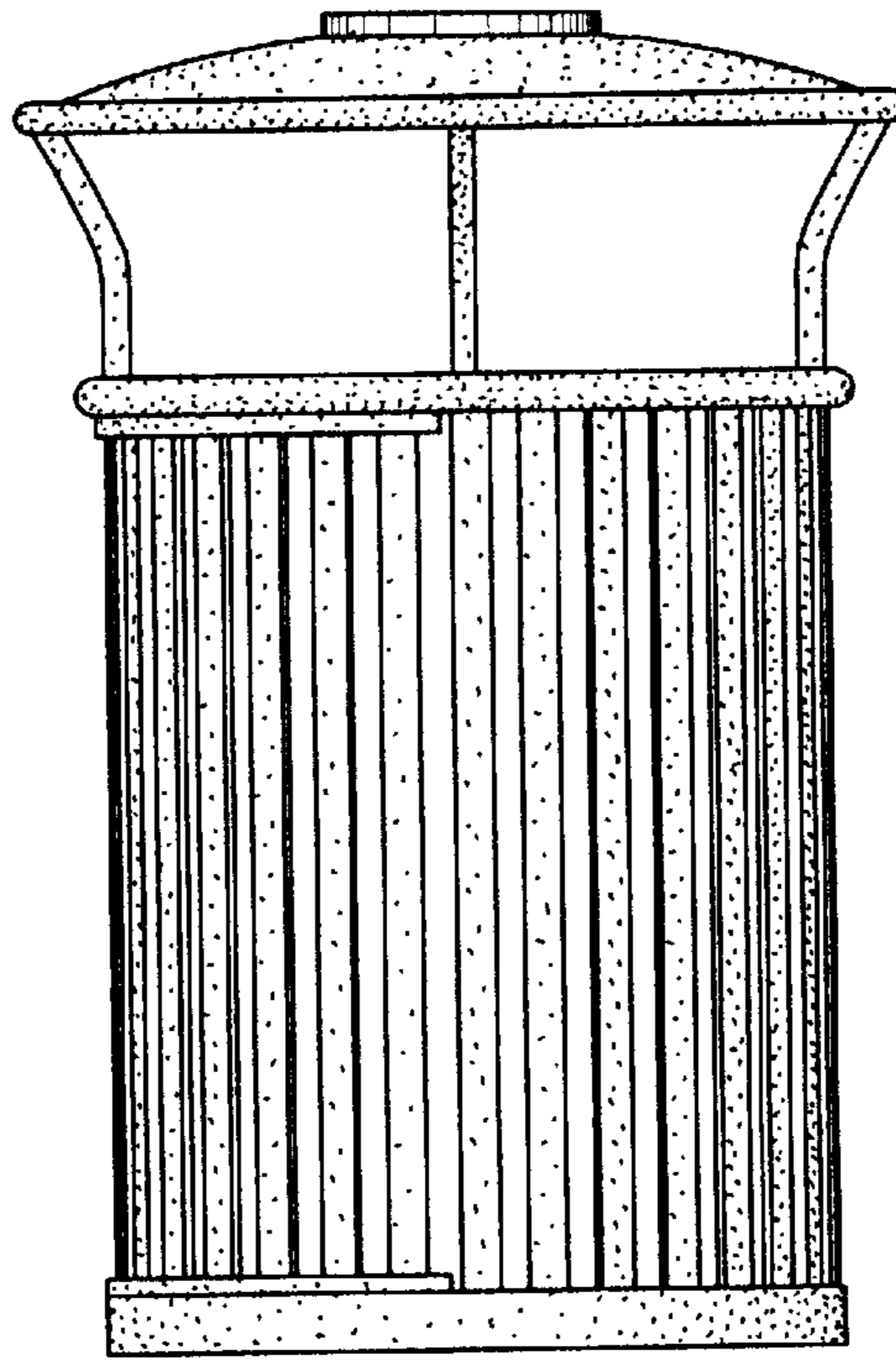


FIG. 10

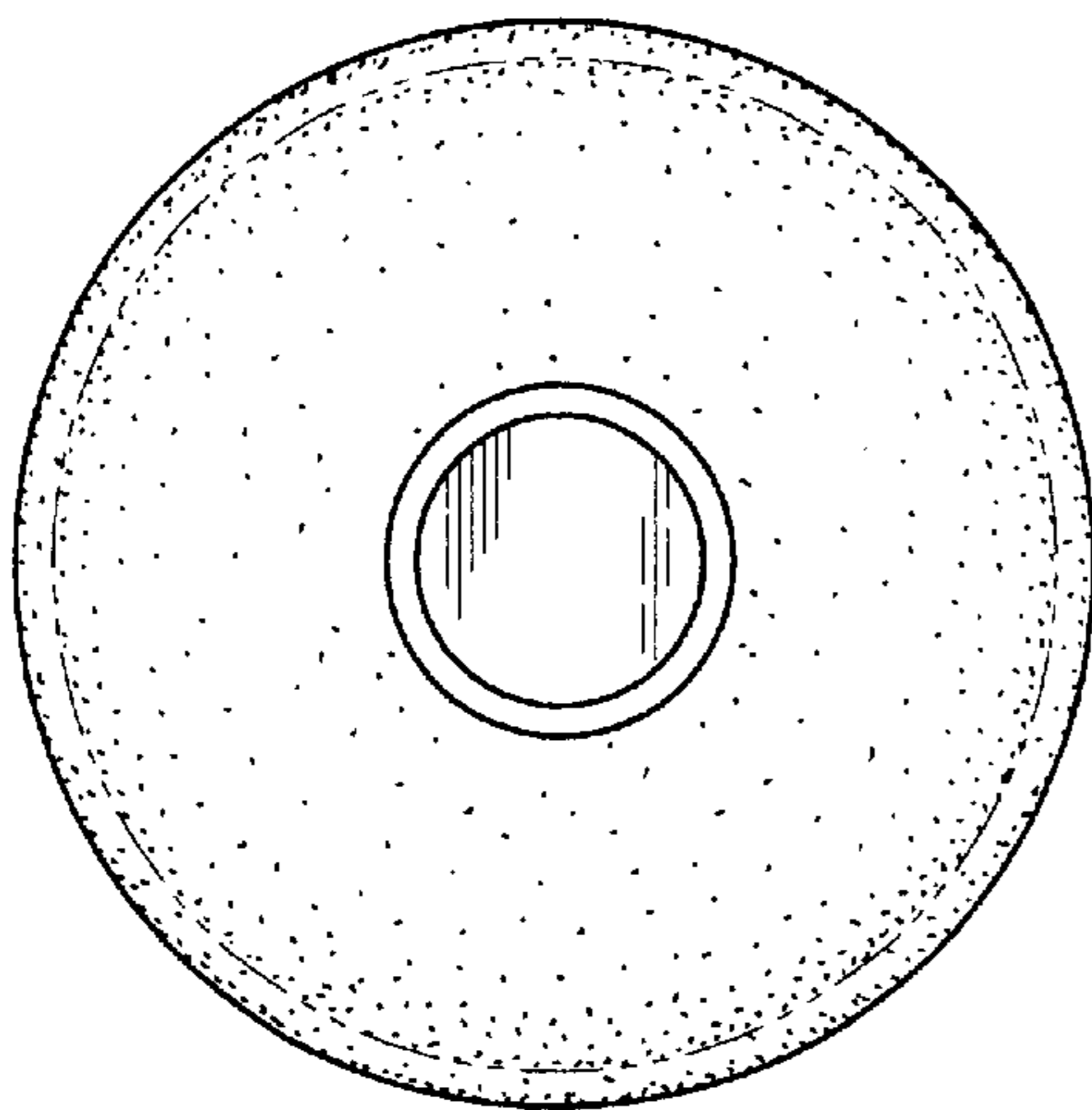


FIG. 13

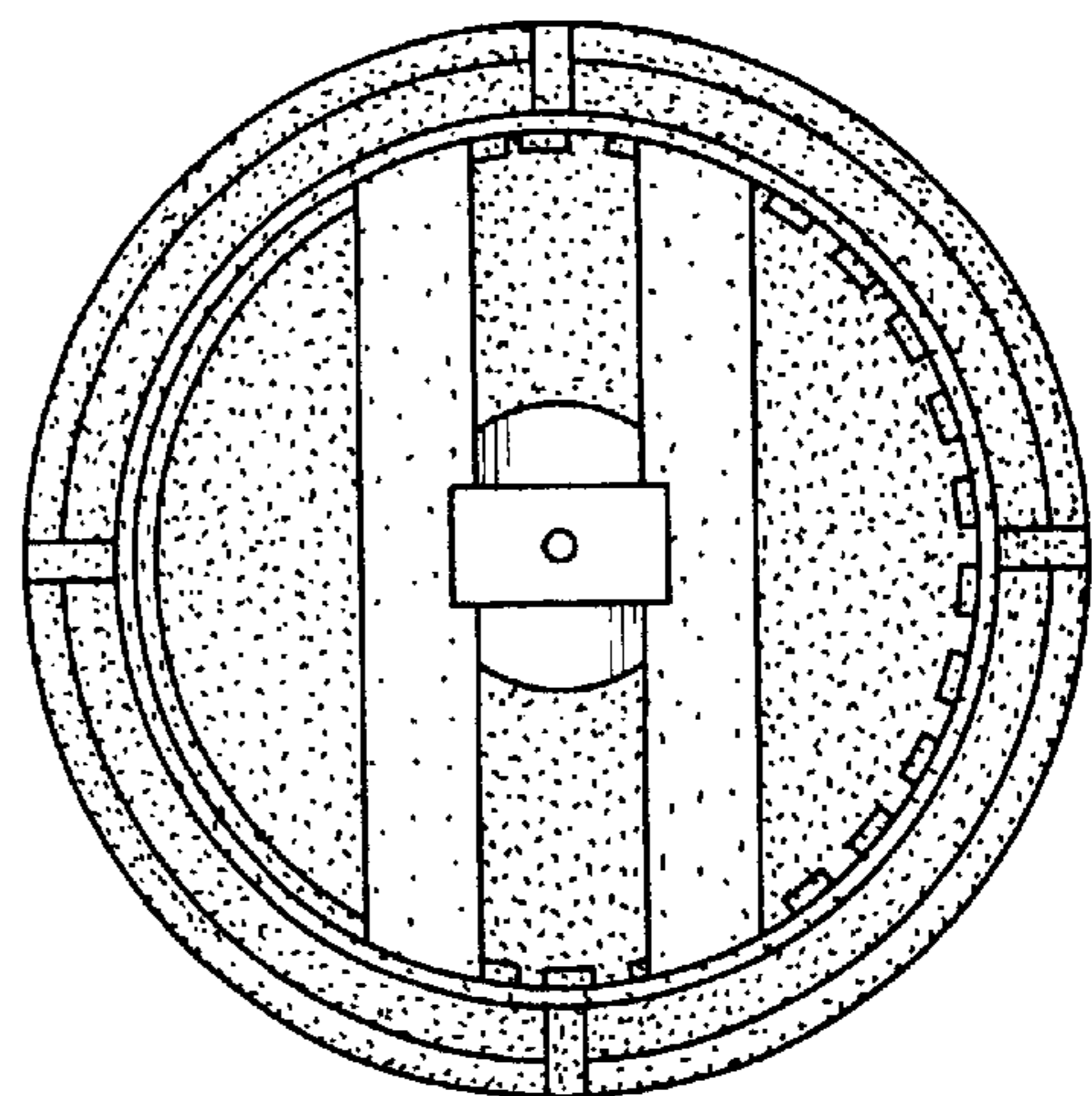


FIG. 14

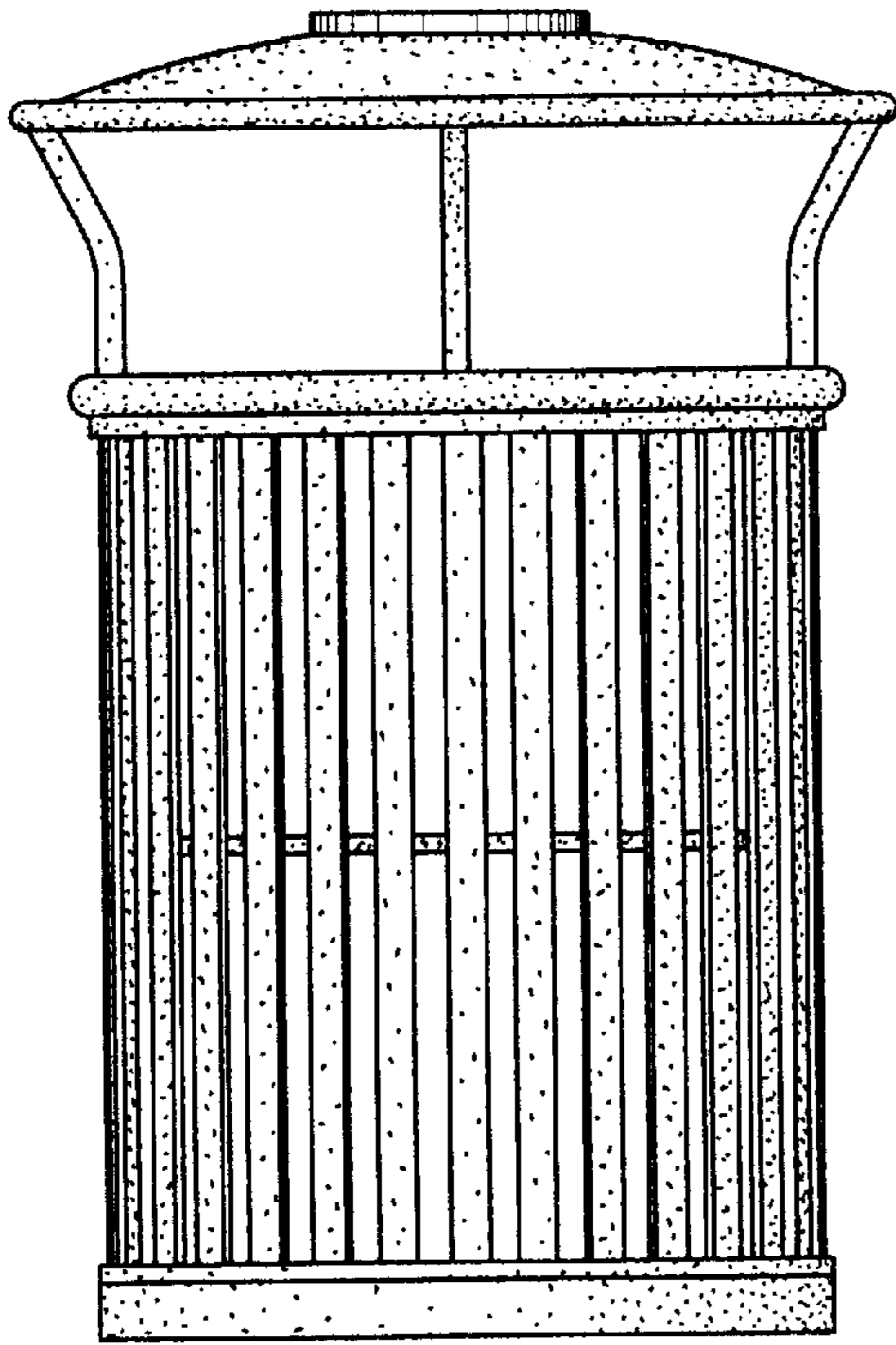


FIG. 11

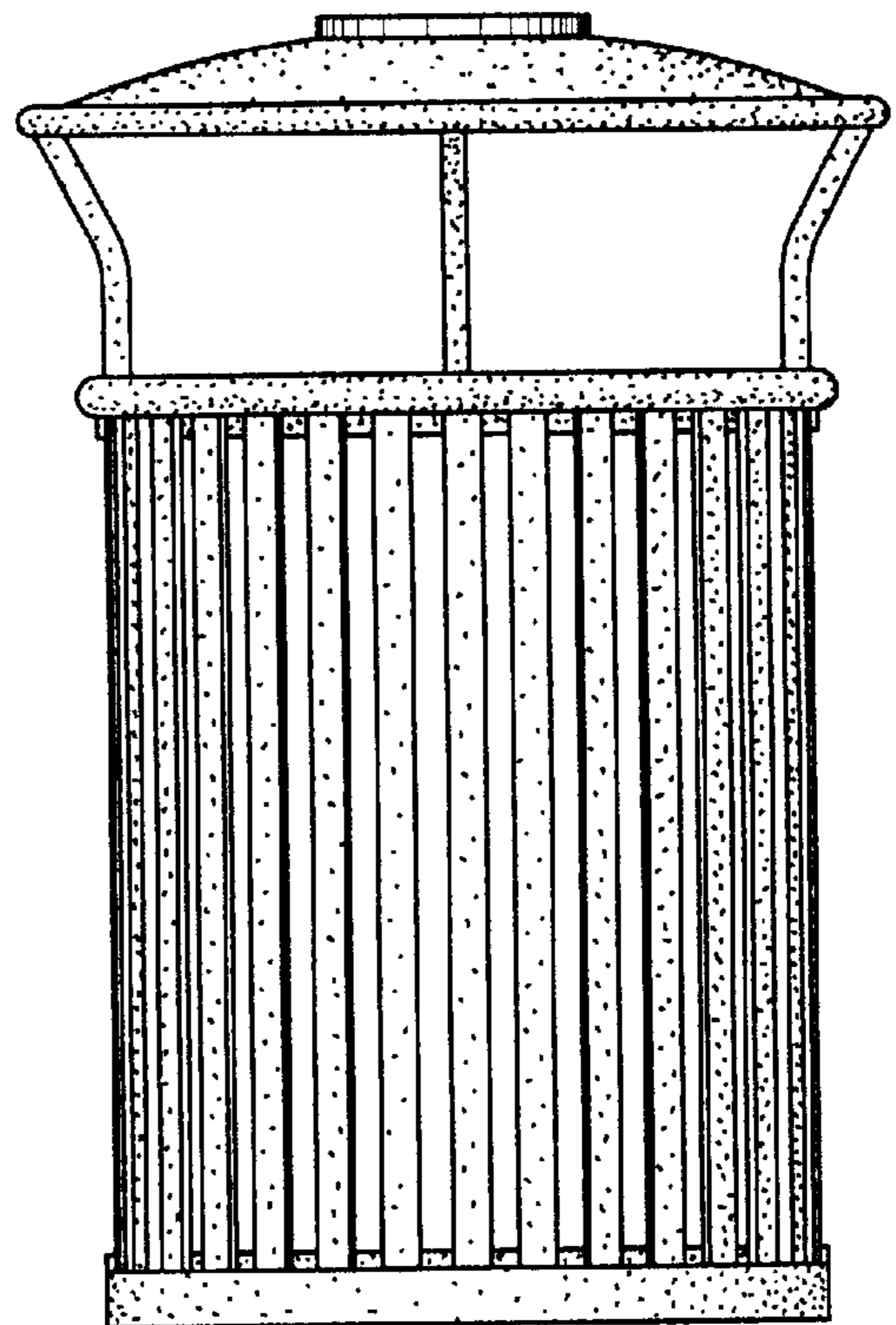


FIG. 12