



US00D487535S

(12) **United States Design Patent**
Wang

(10) **Patent No.:** **US D487,535 S**

(45) **Date of Patent:** **** Mar. 9, 2004**

(54) **FEEDING APPARATUS FOR AQUARIUMS**

(75) **Inventor:** **Chiao-Ming Wang, Taichung Hsien (TW)**

(73) **Assignee:** **Meiko Pet Corporation, Taichung Hsien (TW)**

(**) **Term:** **14 Years**

(21) **Appl. No.:** **29/181,748**

(22) **Filed:** **May 16, 2003**

(51) **LOC (7) Cl.** **30-07**

(52) **U.S. Cl.** **D30/122**

(58) **Field of Search** D30/101-107,
D30/122, 121; 119/206, 210, 212-213,
216, 219, 230, 242, 245-259, 260-263,
265-267, 269, 223-228, 51.04, 51.03, 51.14,
51.15, 475, 476, 477, 51.11, 51.12, 51.13;
210/169; D7/589; D10/2, 40

(56) **References Cited**

U.S. PATENT DOCUMENTS

D287,170 S * 12/1986 Goldman et al. D30/122
D312,149 S * 11/1990 Keil et al. D30/122

D313,093 S * 12/1990 Tanaka D30/122
5,259,533 A * 11/1993 Kornfein et al. 119/51.11
D355,509 S * 2/1995 Kirk D30/122
5,799,608 A * 9/1998 Beck 119/51.04
5,873,326 A * 2/1999 Davet et al. 119/245
6,571,736 B2 * 6/2003 Patterson et al. 119/230

* cited by examiner

Primary Examiner—Cathy Anne MacCormac

(74) *Attorney, Agent, or Firm*—Troxell Law Office PLLC

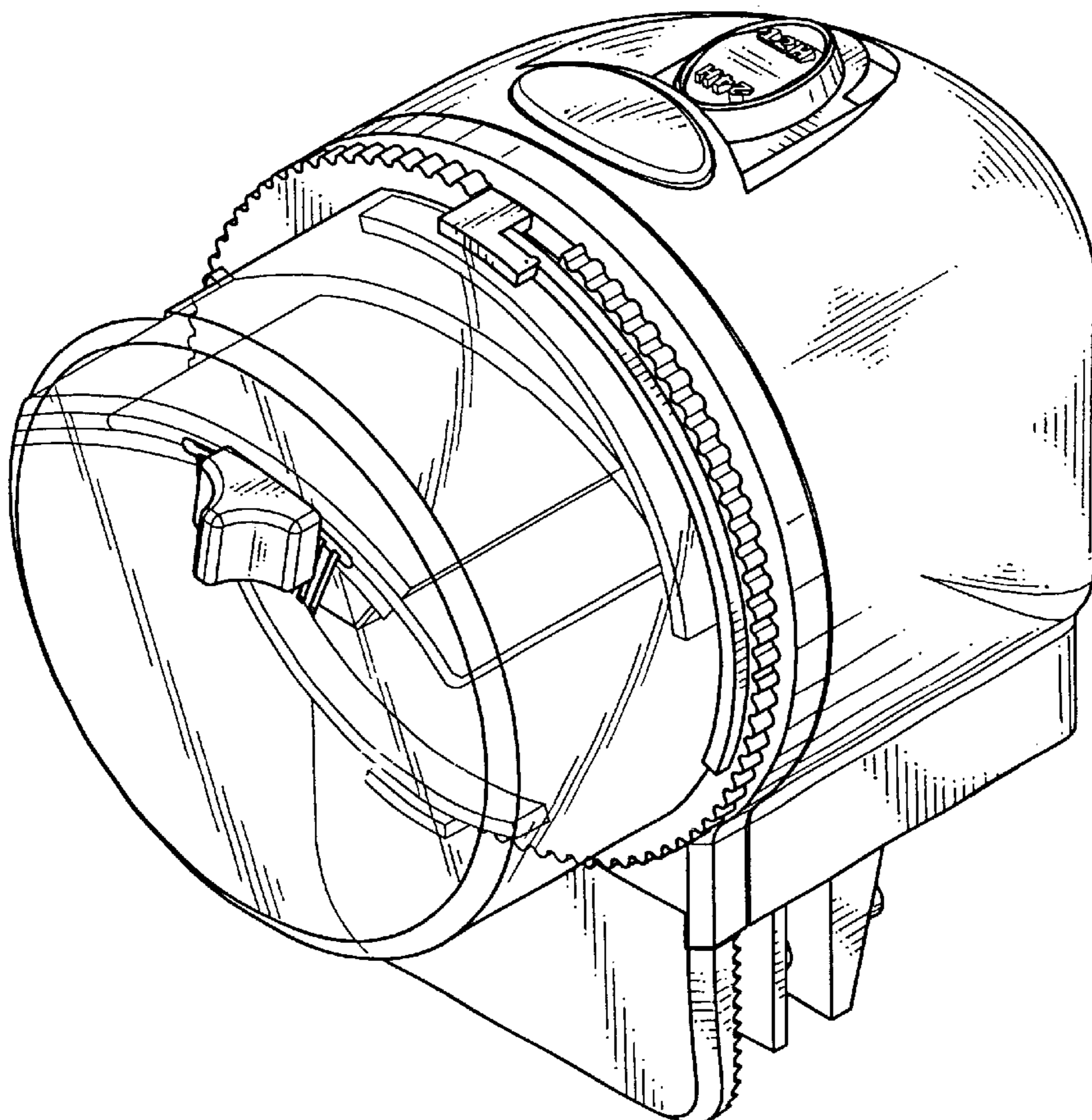
(57) **CLAIM**

The ornamental design for a feeding apparatus for aquariums, as shown and described.

DESCRIPTION

FIG. 1 is a perspective view of feeding apparatus for aquariums showing my new design;
FIG. 2 is a front elevation view thereof;
FIG. 3 is a rear elevation view thereof;
FIG. 4 is a left side elevation view thereof;
FIG. 5 is a right side elevation view thereof;
FIG. 6 is a top plan view thereof; and,
FIG. 7 is a bottom plan view thereof.

1 Claim, 4 Drawing Sheets



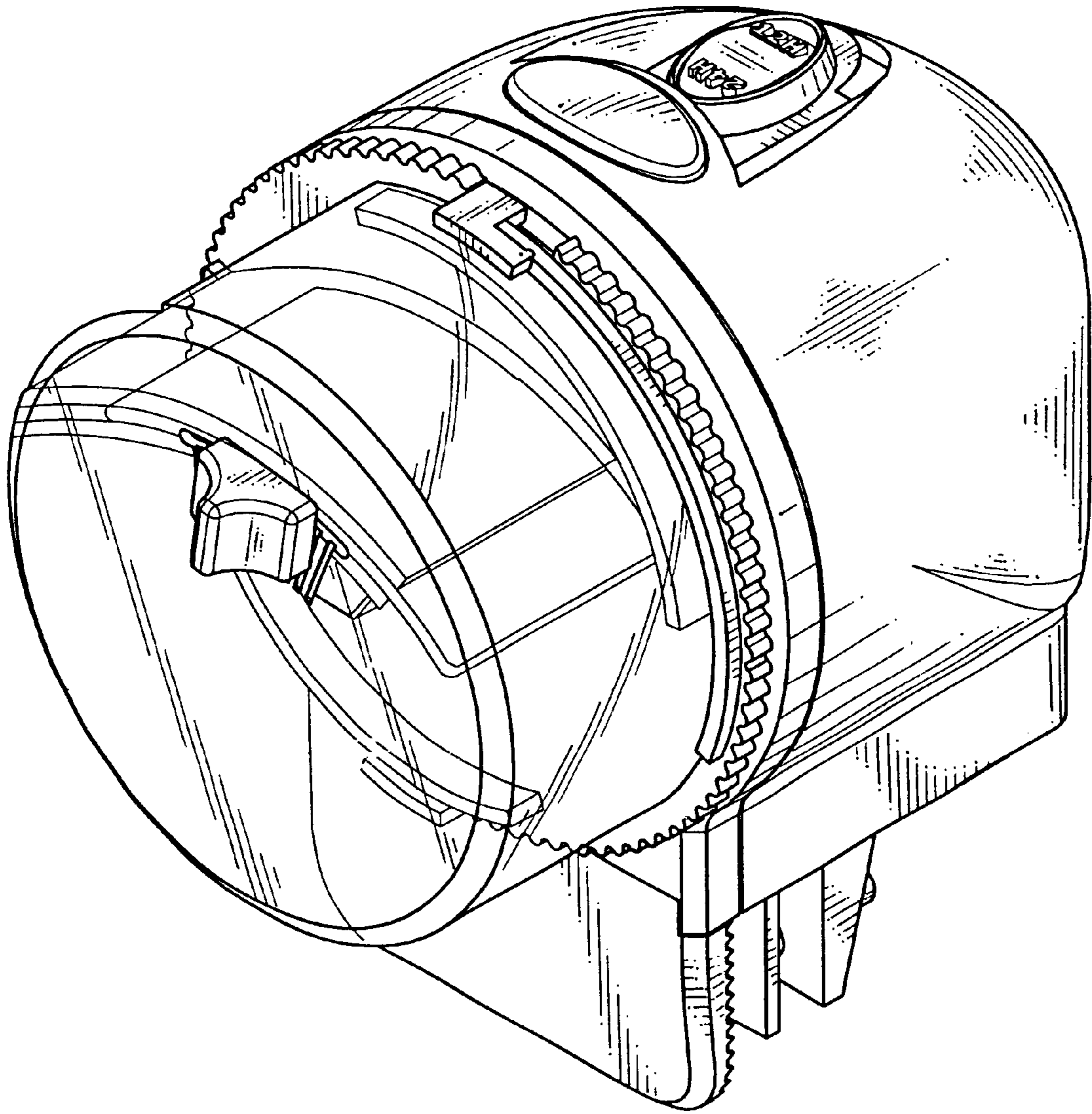


FIG. 1

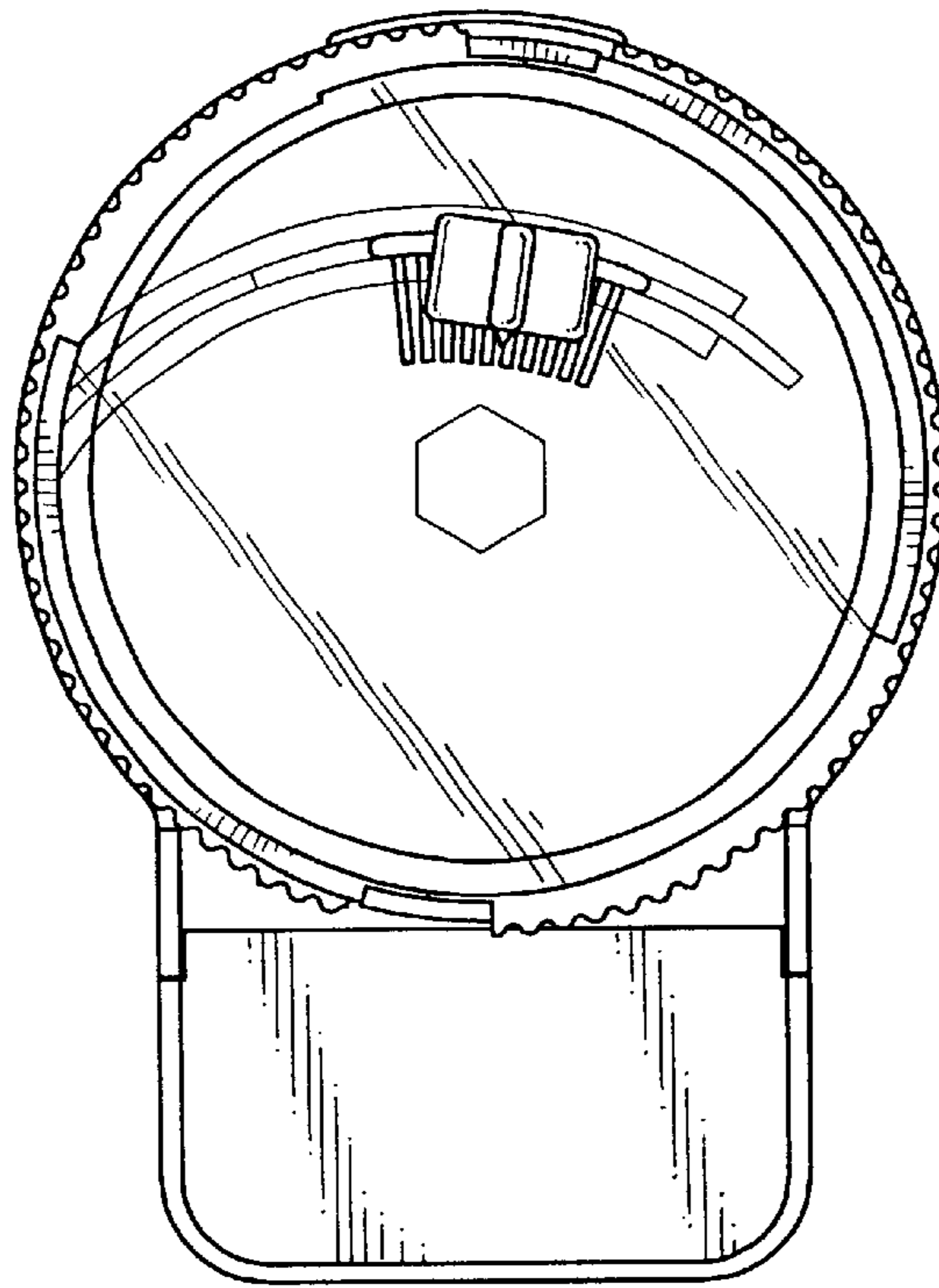


FIG. 2

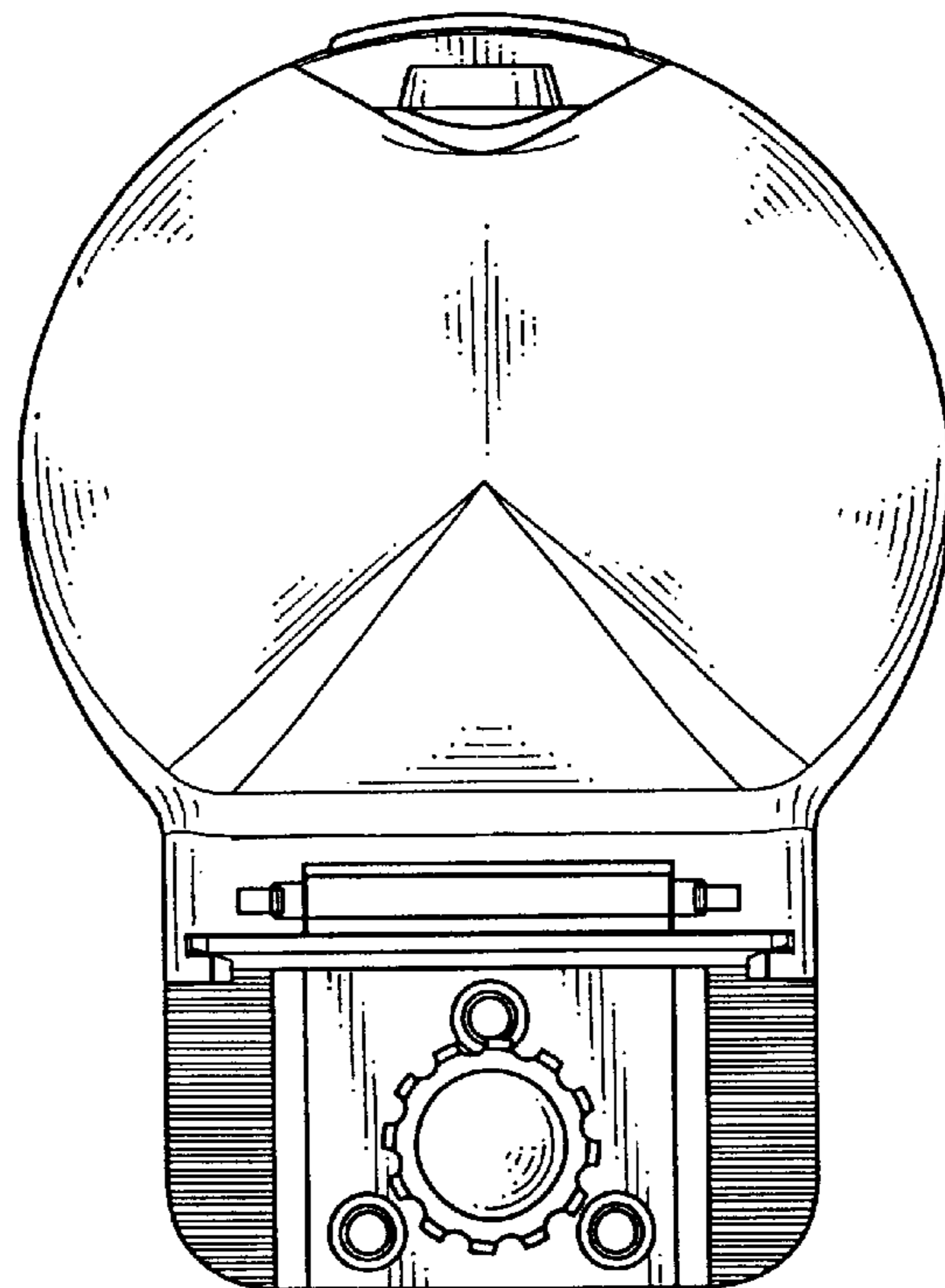


FIG. 3

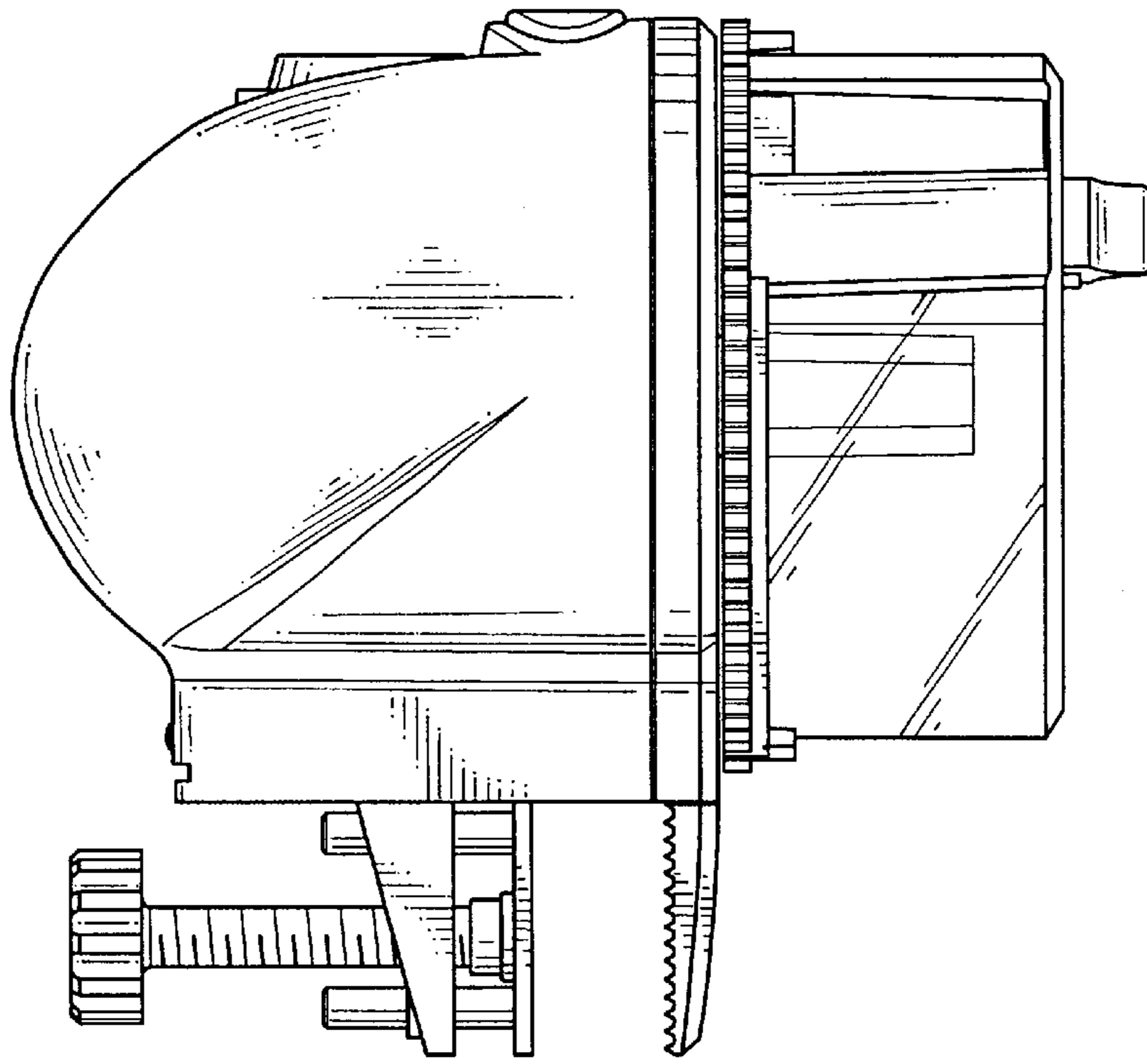


FIG. 4

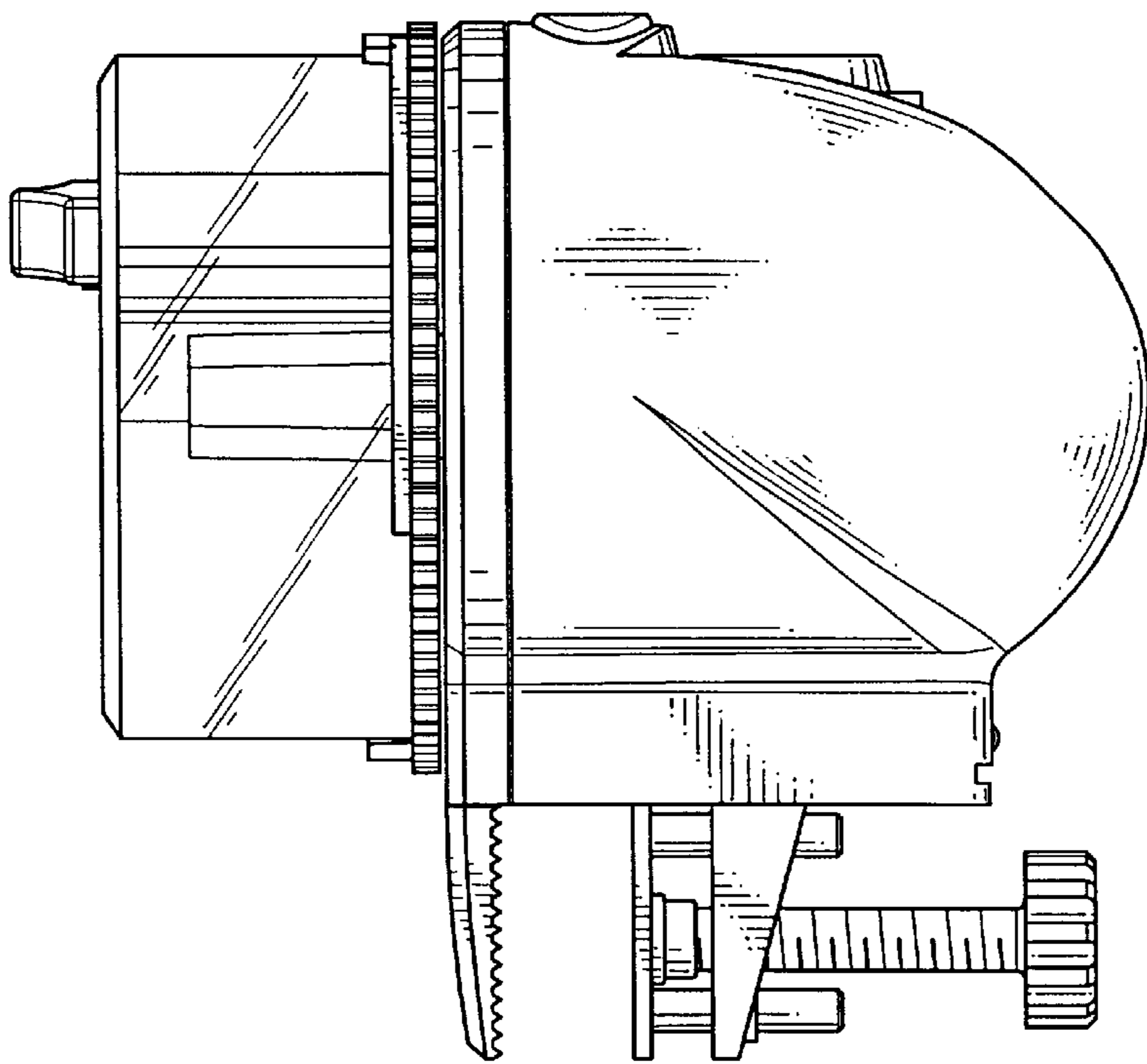


FIG. 5

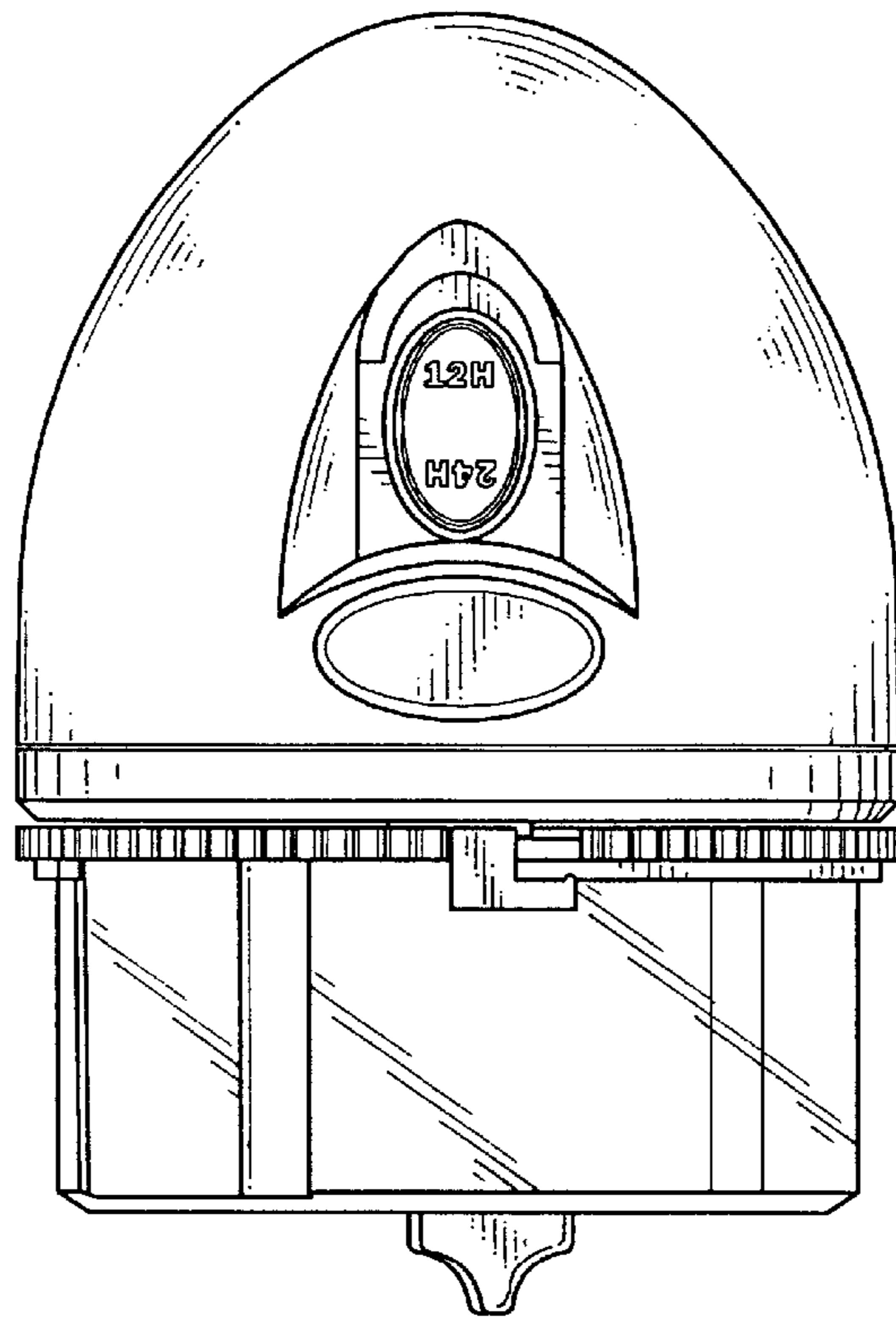


FIG. 6

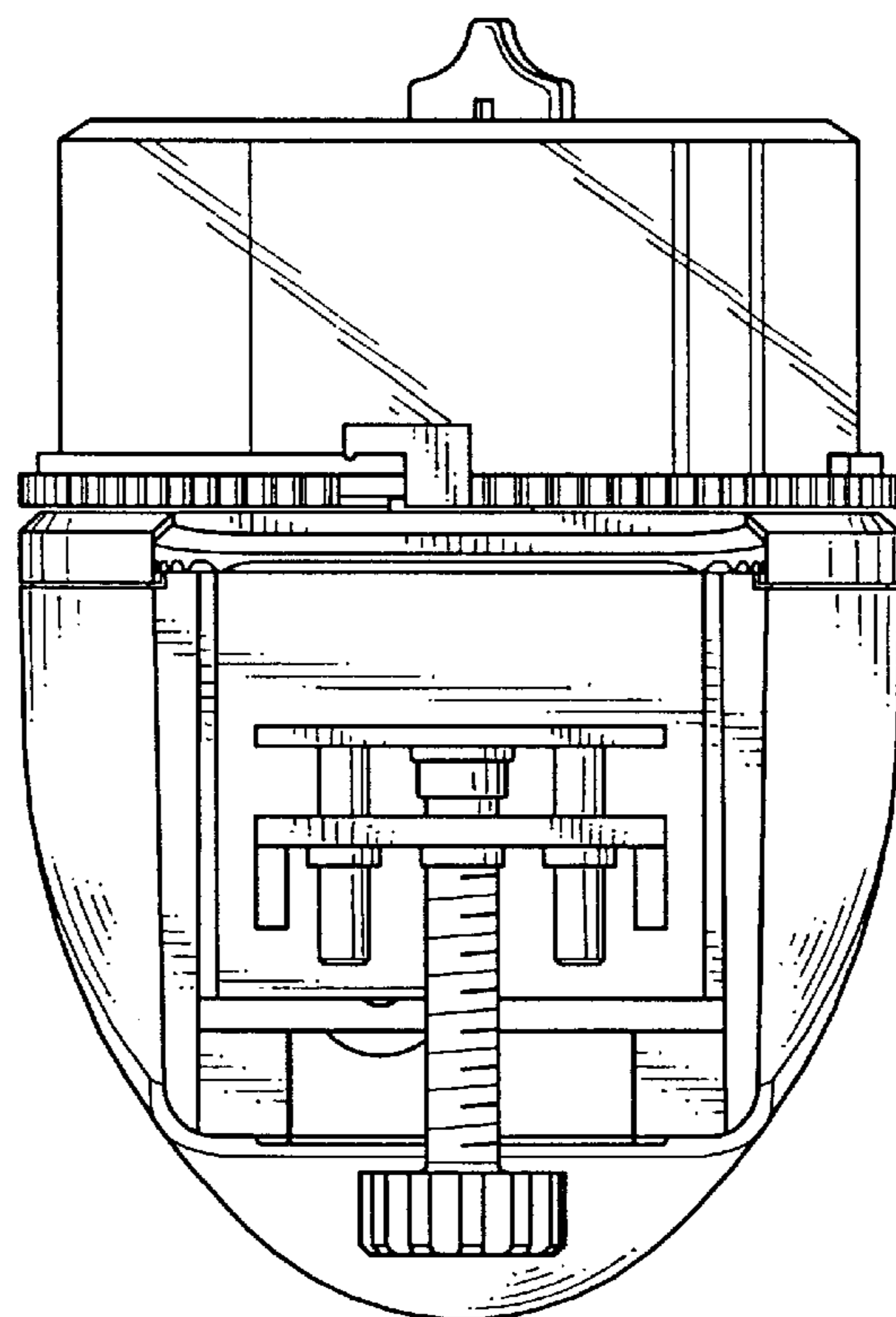


FIG. 7