



US00D487532S

(12) **United States Design Patent**  
**Draghetti et al.**

(10) **Patent No.:** **US D487,532 S**

(45) **Date of Patent:** **\*\* Mar. 9, 2004**

(54) **RIGID, HINGED-LID PACKET OF CIGARETTES**

(75) Inventors: **Fiorenzo Draghetti**, Medicina (IT);  
**Francesco Bertuzzi**, Budrio (IT)

(73) Assignee: **G.D Societa' Per Azioni**, Bologna (IT)

(\*\*) Term: **14 Years**

(21) Appl. No.: **29/157,057**

(22) Filed: **Mar. 12, 2002**

(51) **LOC (7) Cl.** ..... **27-06**

(52) **U.S. Cl.** ..... **D27/189**

(58) **Field of Search** ..... 206/38, 261, 263,  
206/265, 268, 271, 273; D27/183, 189,  
190, 191; 229/160.1

(56) **References Cited**

**U.S. PATENT DOCUMENTS**

- 5,044,550 A \* 9/1991 Lamm ..... 229/160.1
- 5,341,925 A \* 8/1994 Fleenor et al. .... 206/268
- 5,823,331 A \* 10/1998 Manservigi et al. .... 206/268
- 5,833,060 A \* 11/1998 Draghetti et al. .... 206/268
- 5,904,244 A \* 5/1999 Focke et al. .... 206/268
- D421,151 S \* 2/2000 Luton et al. .... D27/189

- D441,496 S \* 5/2001 Focke et al. .... D27/189
- D441,497 S \* 5/2001 Focke et al. .... D27/189
- 6,343,691 B1 \* 2/2002 Focke et al. .... 206/268

\* cited by examiner

*Primary Examiner*—Jennifer Rivard

(74) *Attorney, Agent, or Firm*—Ladas and Parry

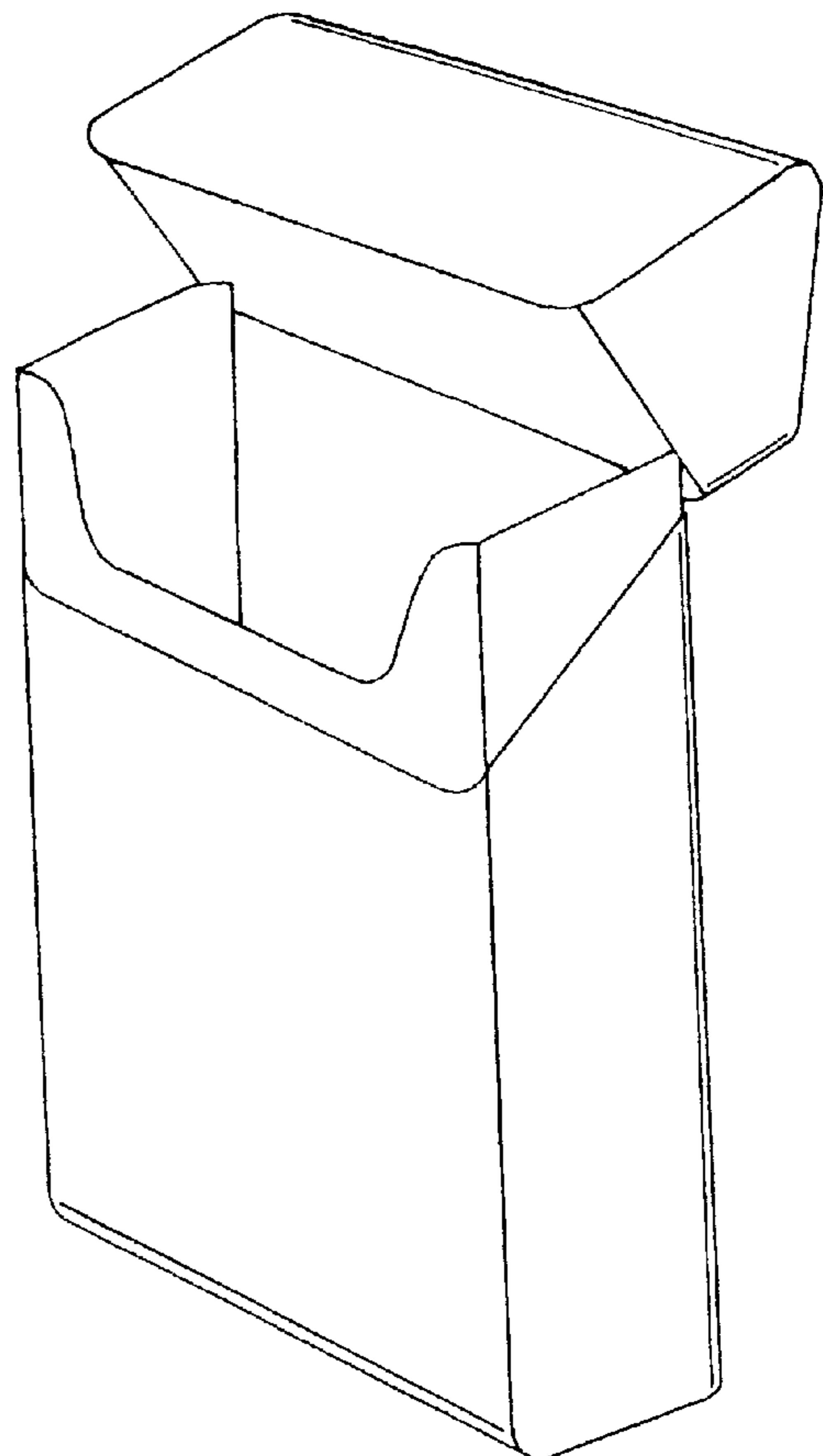
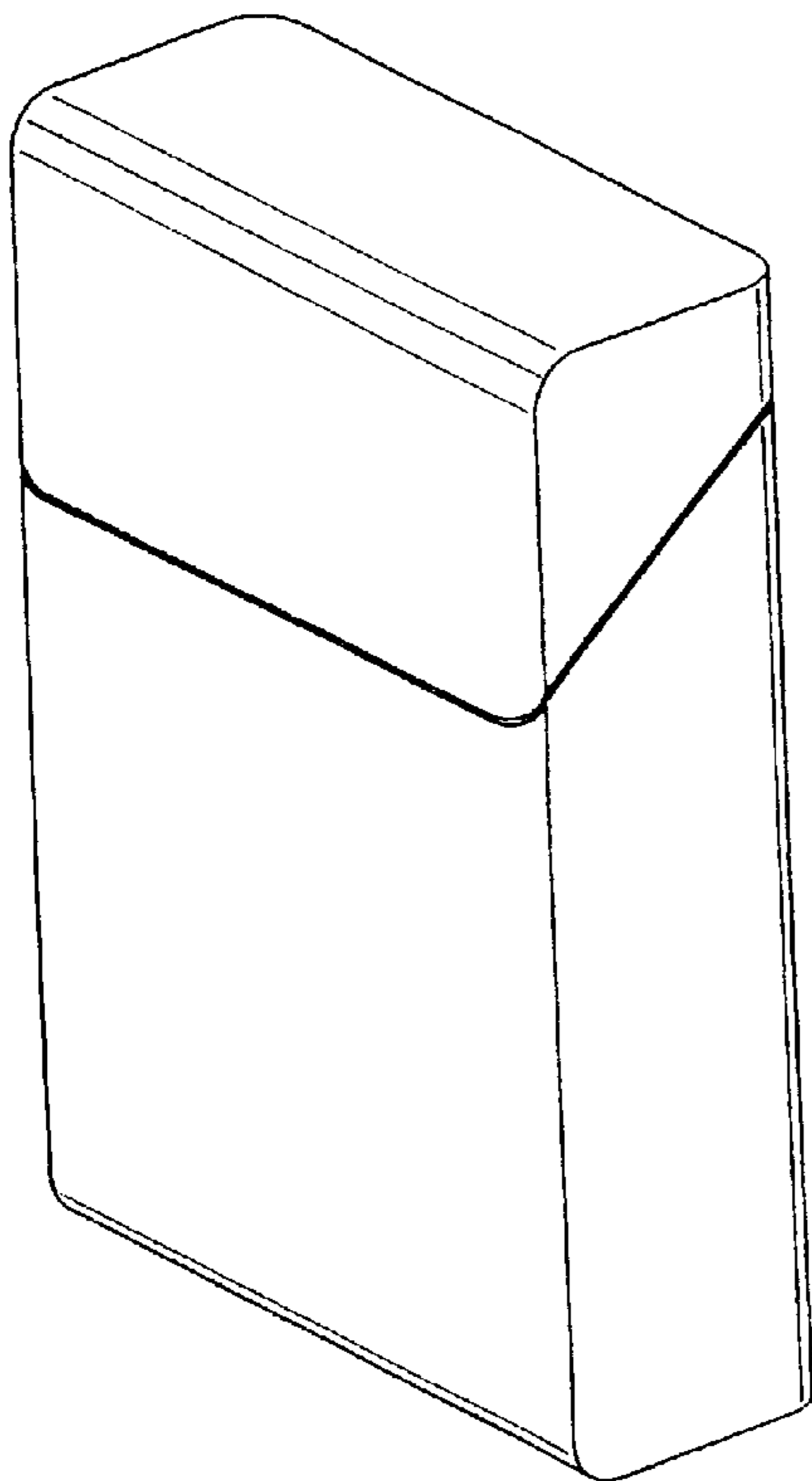
(57) **CLAIM**

We claim the ornamental design for a rigid, hinged-lid packet of cigarettes, as shown and described.

**DESCRIPTION**

FIG. 1 is a front view in perspective of a rigid, hinged-lid packet of cigarettes;  
 FIG. 2 is a front view in perspective of the FIG. 1 packet when open;  
 FIG. 3 is a rear view in perspective of the FIG. 1 packet when closed;  
 FIG. 4 is a front view of the FIG. 1 packet;  
 FIG. 5 is a right-side view of the FIG. 1 packet;  
 FIG. 6 is a top view of the FIG. 1 packet;  
 FIG. 7 is a rear view of the FIG. 1 packet;  
 FIG. 8 is a left-side view of the FIG. 1 packet; and,  
 FIG. 9 is a bottom view of the FIG. 1 packet.

**1 Claim, 3 Drawing Sheets**



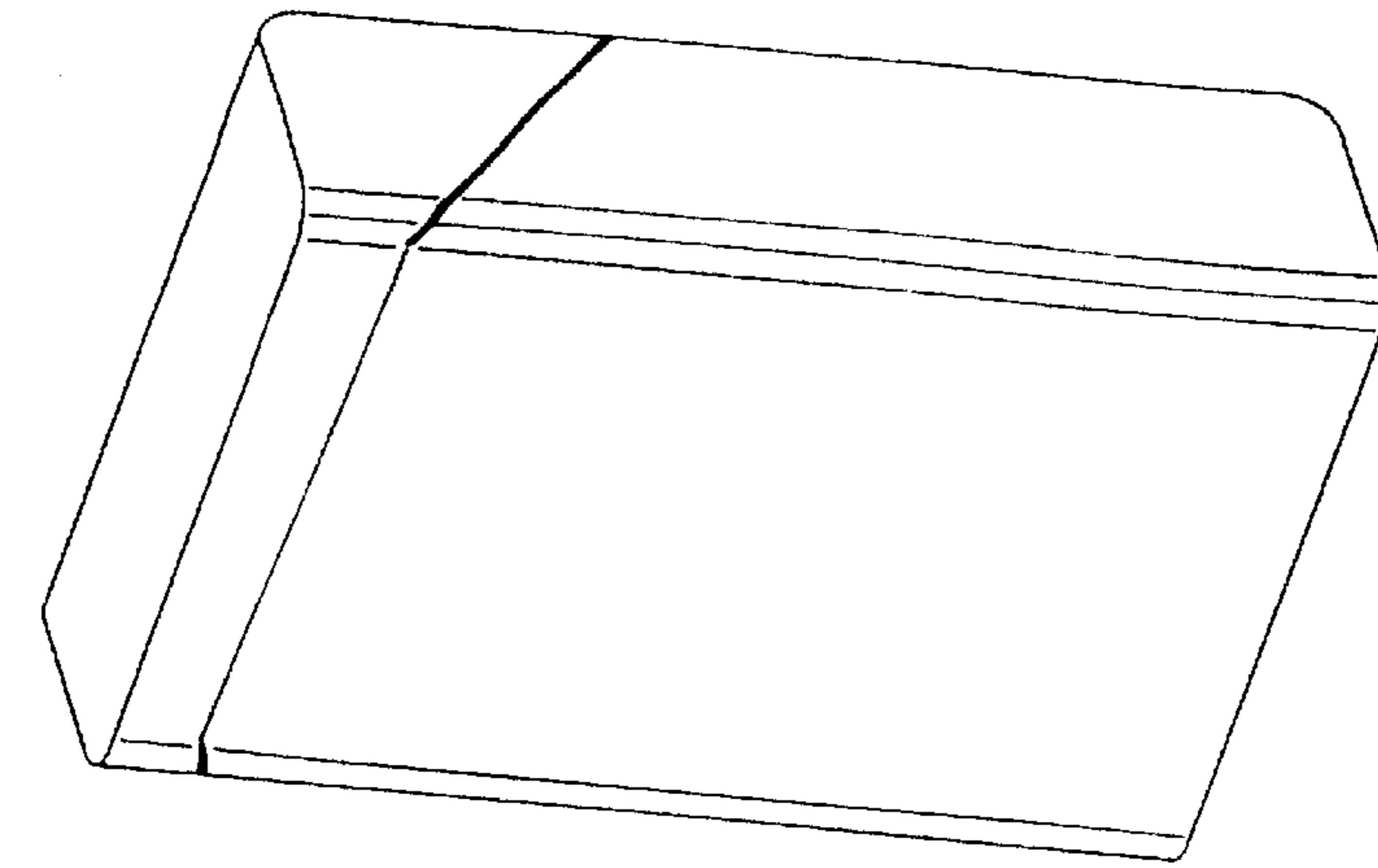


Fig.3

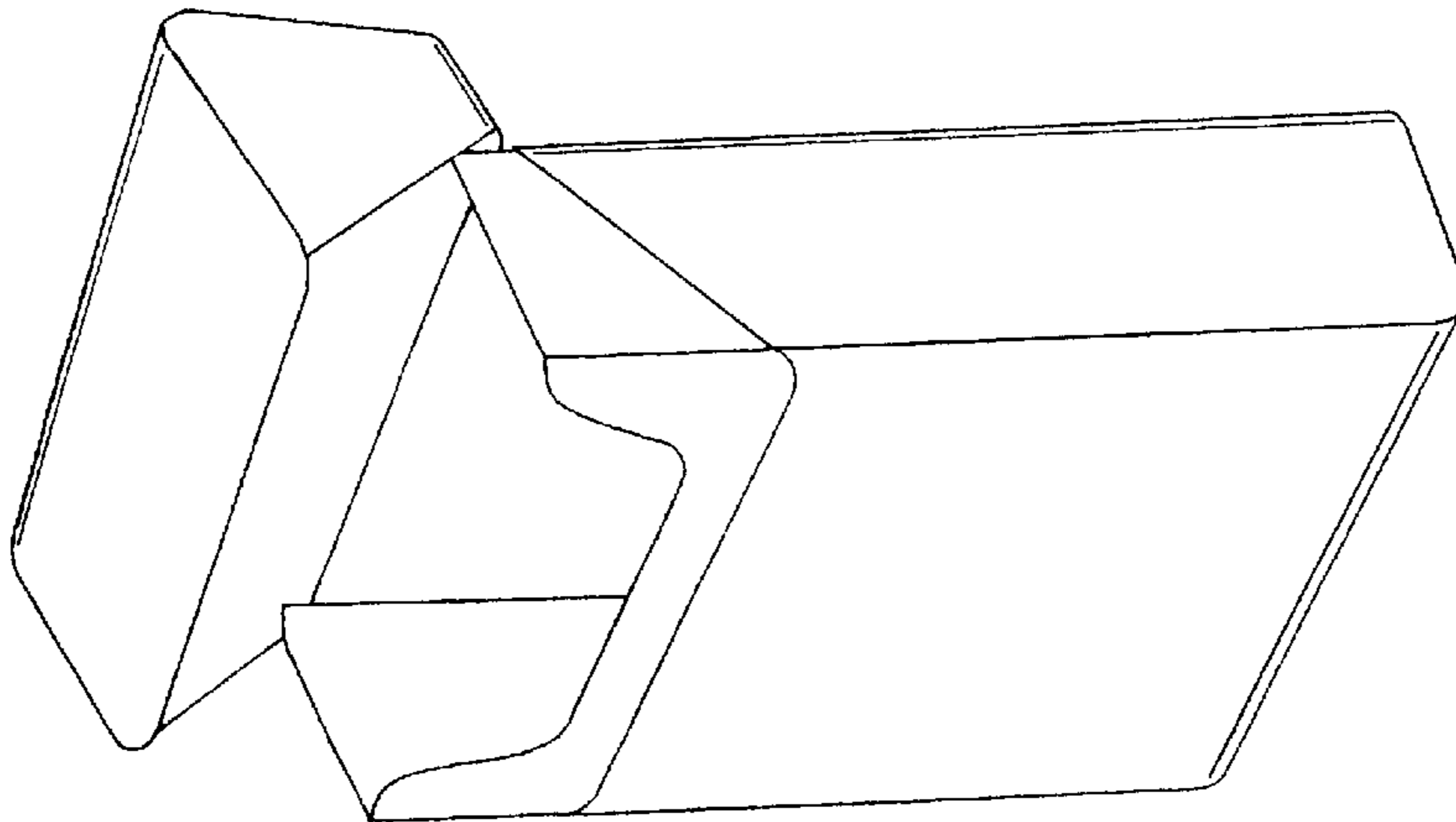


Fig.2

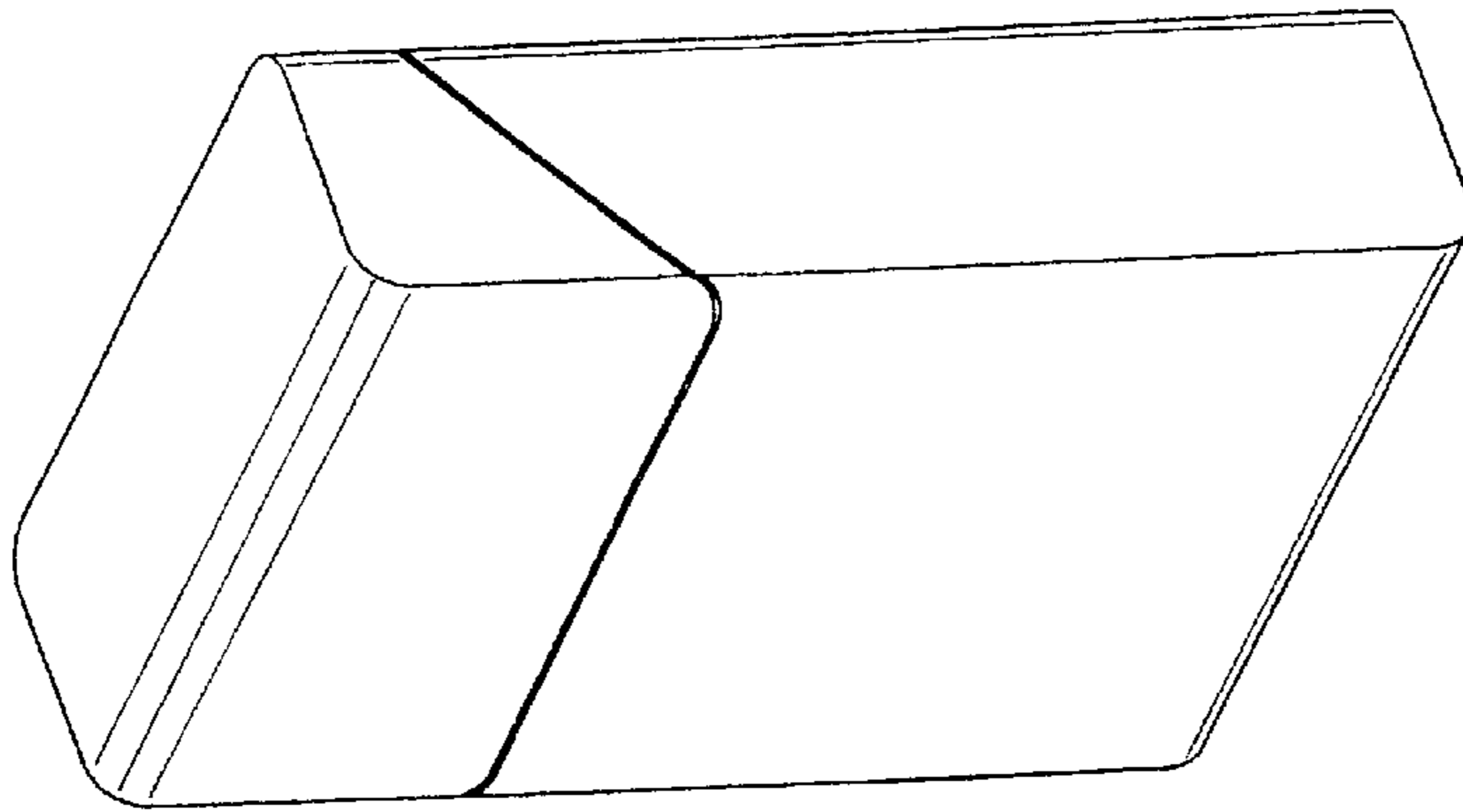


Fig.1

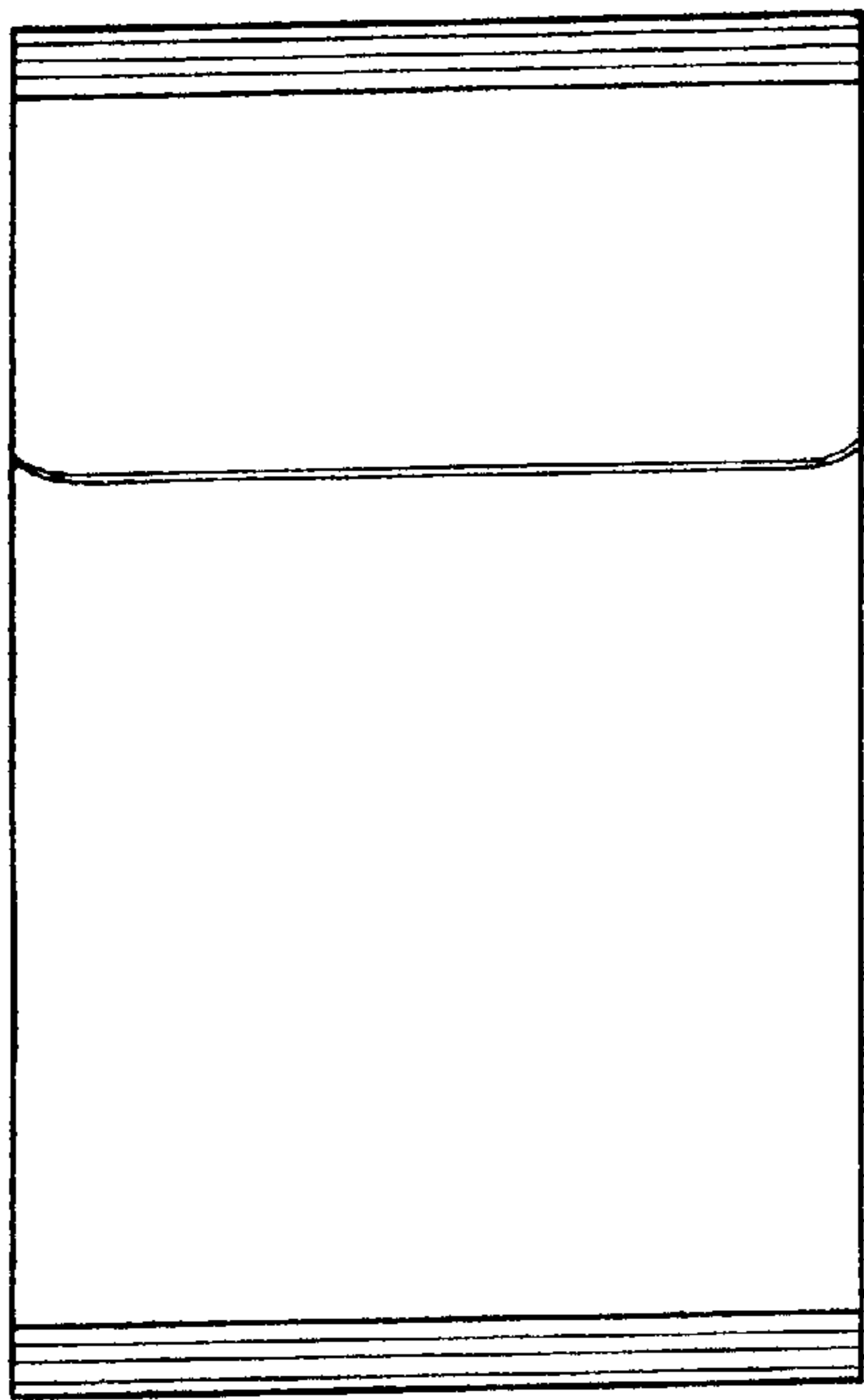


Fig.4

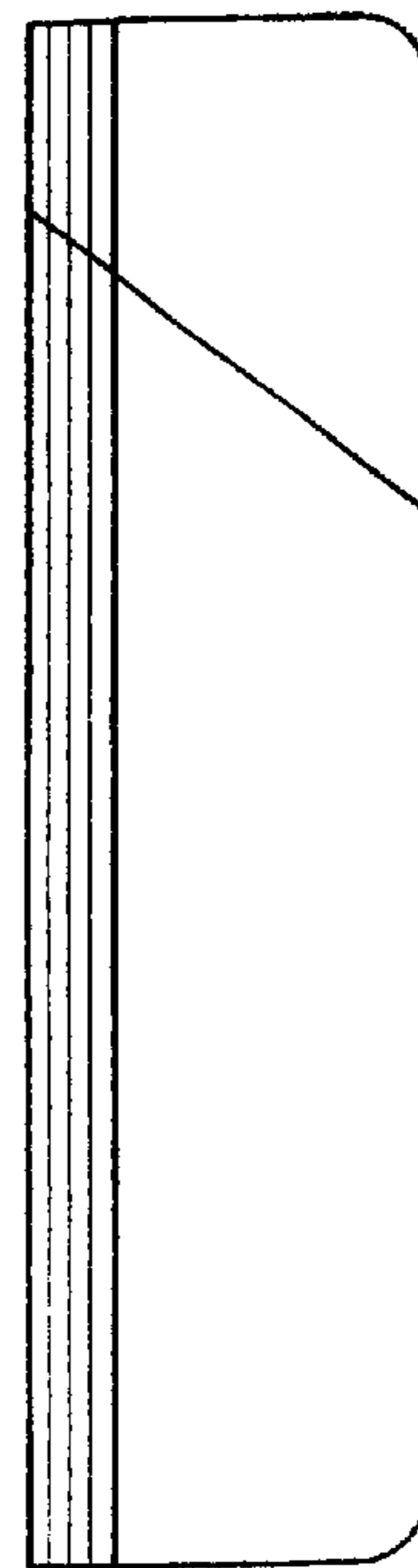


Fig.5

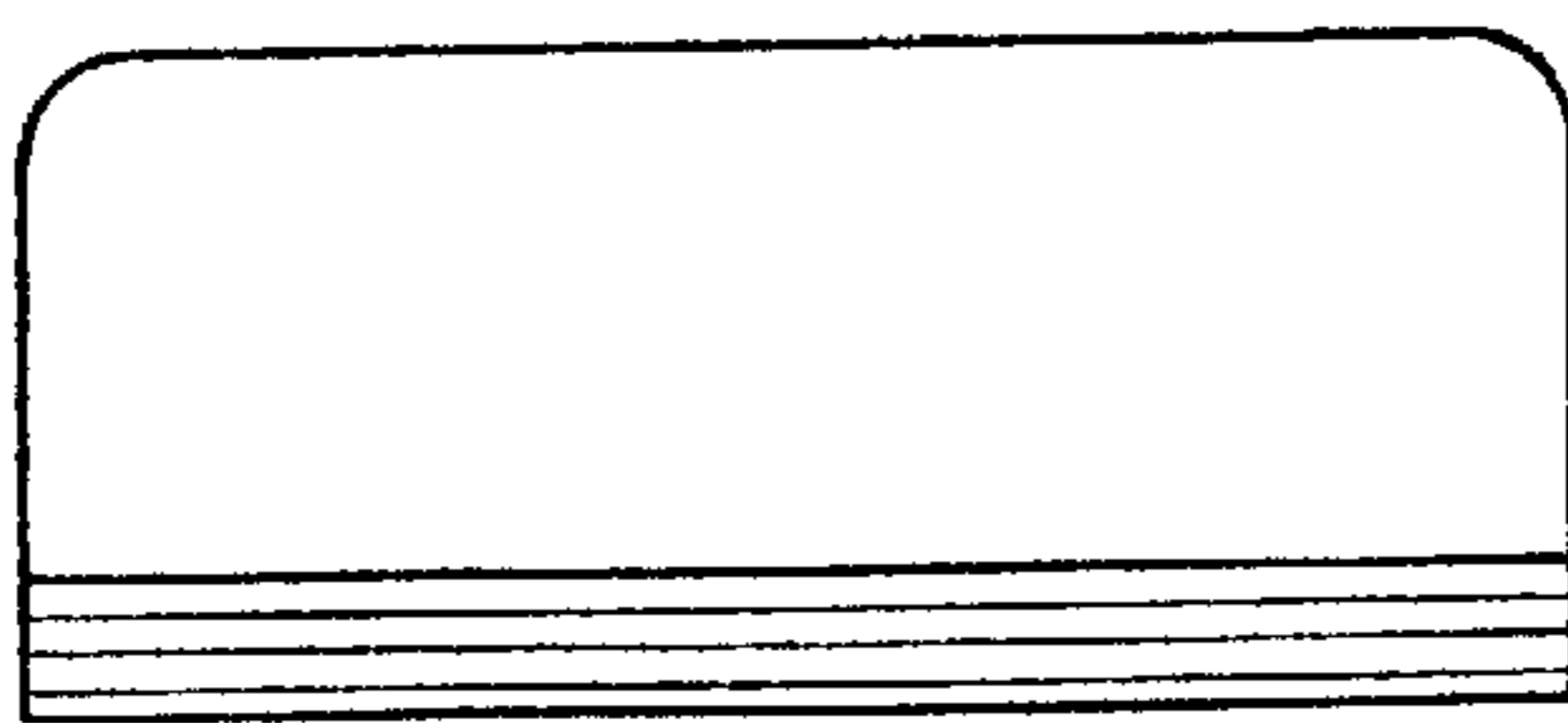


Fig.6

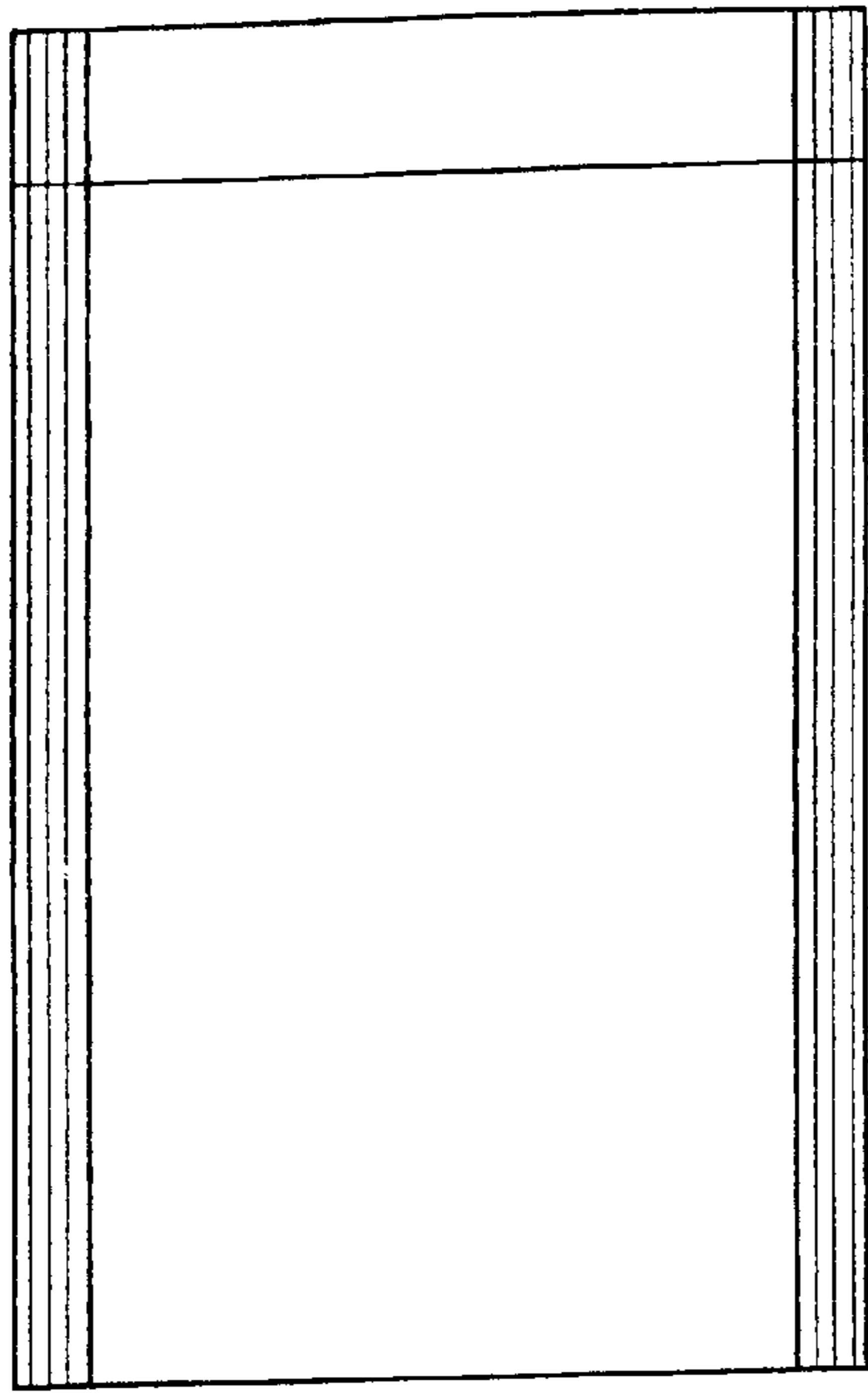


Fig.7

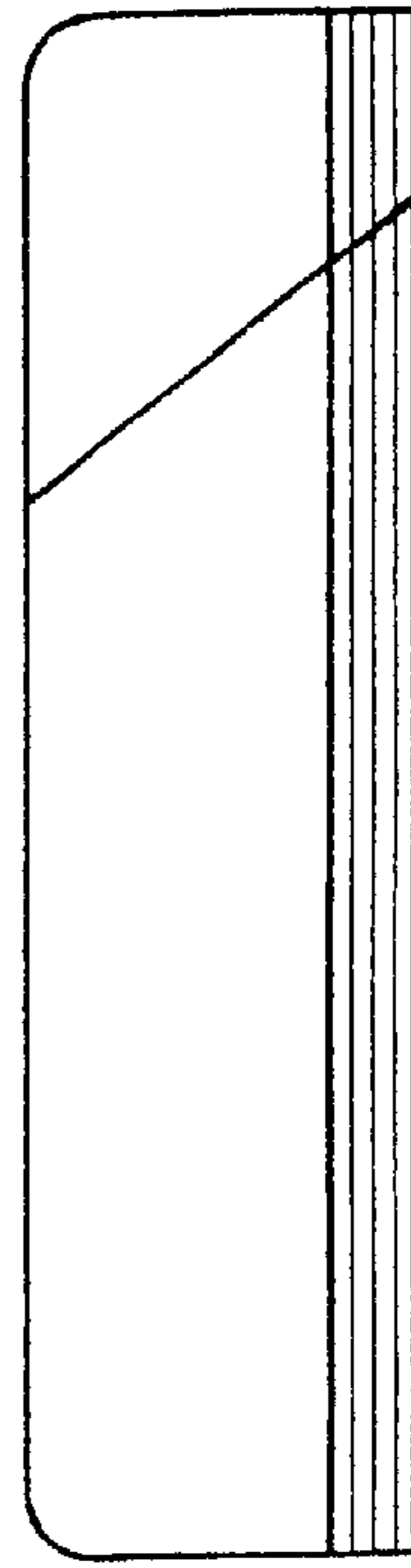


Fig.8

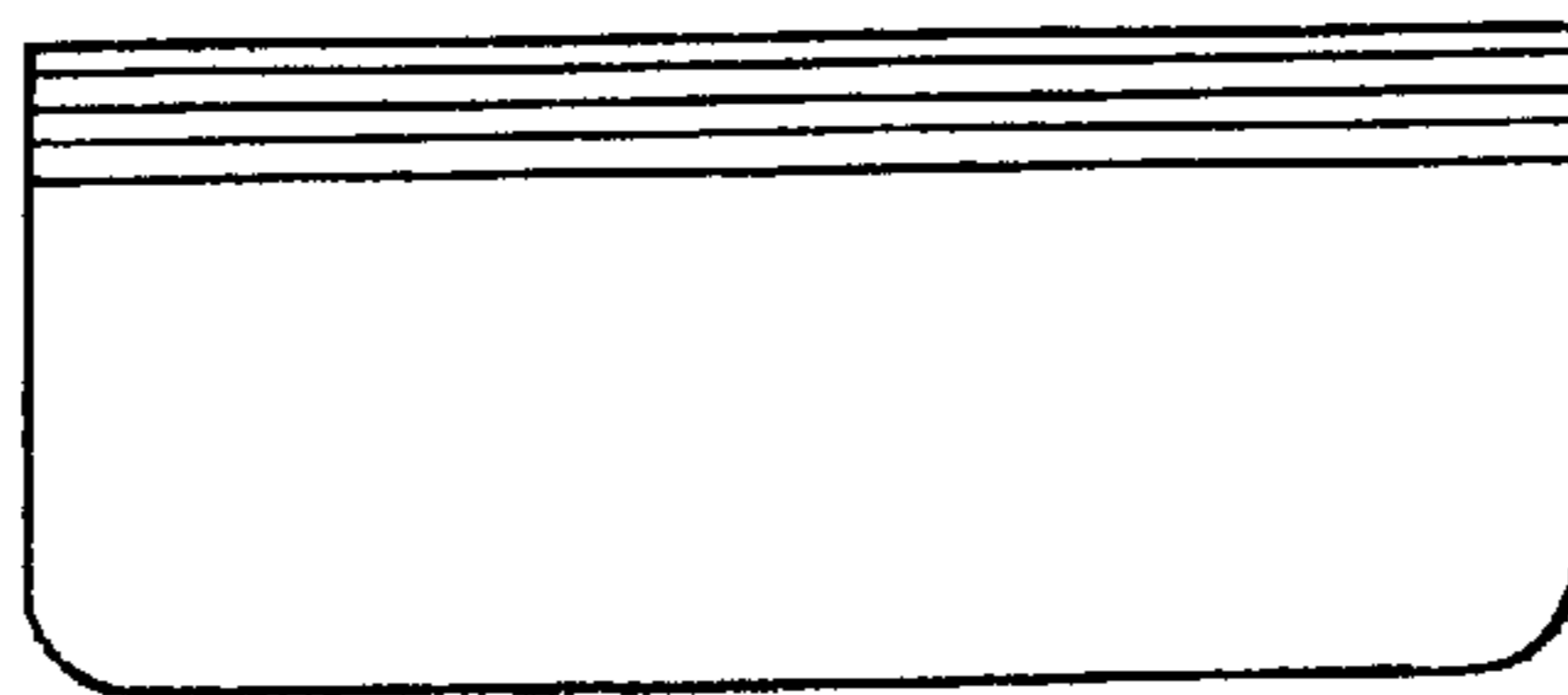


Fig.9

UNITED STATES PATENT AND TRADEMARK OFFICE  
**CERTIFICATE OF CORRECTION**

PATENT NO. : Des. 487,532 S  
DATED : March 9, 2004  
INVENTOR(S) : Fiorenzo Draghetti et al.

Page 1 of 1

It is certified that error appears in the above-identified patent and that said Letters Patent is hereby corrected as shown below:

Title page.

Insert Item:

-- [30] **Foreign Application Priority Data**  
Sep. 14, 2001 (IT).... BO2001O000044 --.

Signed and Sealed this

Thirteenth Day of July, 2004

A handwritten signature in black ink that reads "Jon W. Dudas". The signature is written in a cursive style with a large, looped initial "J".

---

JON W. DUDAS  
*Acting Director of the United States Patent and Trademark Office*