



US00D487530S

(12) **United States Design Patent**
Hsu

(10) **Patent No.:** **US D487,530 S**

(45) **Date of Patent:** **** Mar. 9, 2004**

(54) **OUTDOOR LAMP**

D417,522 S * 12/1999 Klaus D26/87
D427,351 S * 6/2000 Landefeld D26/67

(76) **Inventor:** **Kevin Hsu**, Fl. 11, No. 195, Ning Hsia Rd., Taichung (TW)

OTHER PUBLICATIONS

(**) **Term:** **14 Years**

Progress Lighting Product catalog 124 (c) 2000; p. 281; item P5654.*

(21) **Appl. No.:** **29/182,021**

Seagull Lighting 2001 Catalog; p. 301; item 8871-98.*

(22) **Filed:** **May 19, 2003**

* cited by examiner

(51) **LOC (7) Cl.** **26-03**

Primary Examiner—Clare E. Heflin

(52) **U.S. Cl.** **D26/92**

(74) *Attorney, Agent, or Firm*—Alan D. Kamrath; Rider Bennett, LLP

(58) **Field of Search** D26/24, 67-73,
D26/80, 82, 84-92, 128; 362/145, 147,
186, 806, 257, 276, 312, 351, 358, 361-363,
431, 432, 433, 330, 354

(57) **CLAIM**

The ornamental design for an outdoor lamp, as shown and described.

(56) **References Cited**

DESCRIPTION

U.S. PATENT DOCUMENTS

1,494,208	A	*	5/1924	Bailey	362/432
1,599,721	A	*	9/1926	Roschen	362/257
1,741,693	A	*	12/1929	Gillinder	362/363
1,978,882	A	*	10/1934	Olley	362/311
2,097,187	A	*	10/1937	Hron	362/410
2,231,137	A	*	2/1941	Ohm	362/432
D300,372	S	*	3/1989	O'Dohanue et al.	D26/67
D378,437	S	*	3/1997	Tognu	D26/92
D383,237	S	*	9/1997	Porter	D26/68

FIG. 1 is a perspective view of an outdoor lamp showing my design;

FIG. 2 is a front elevational view thereof;

FIG. 3 is a rear elevational view thereof;

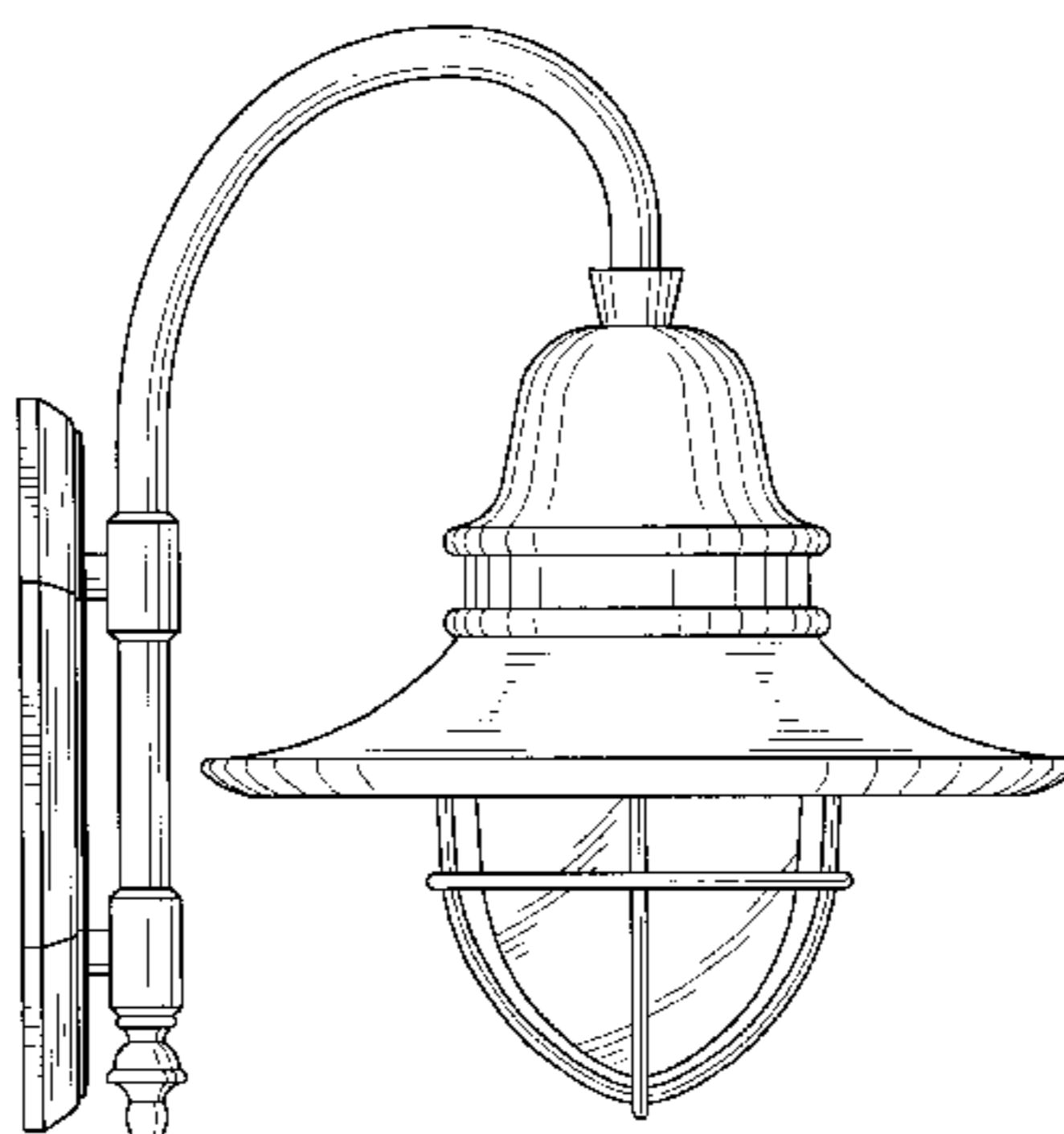
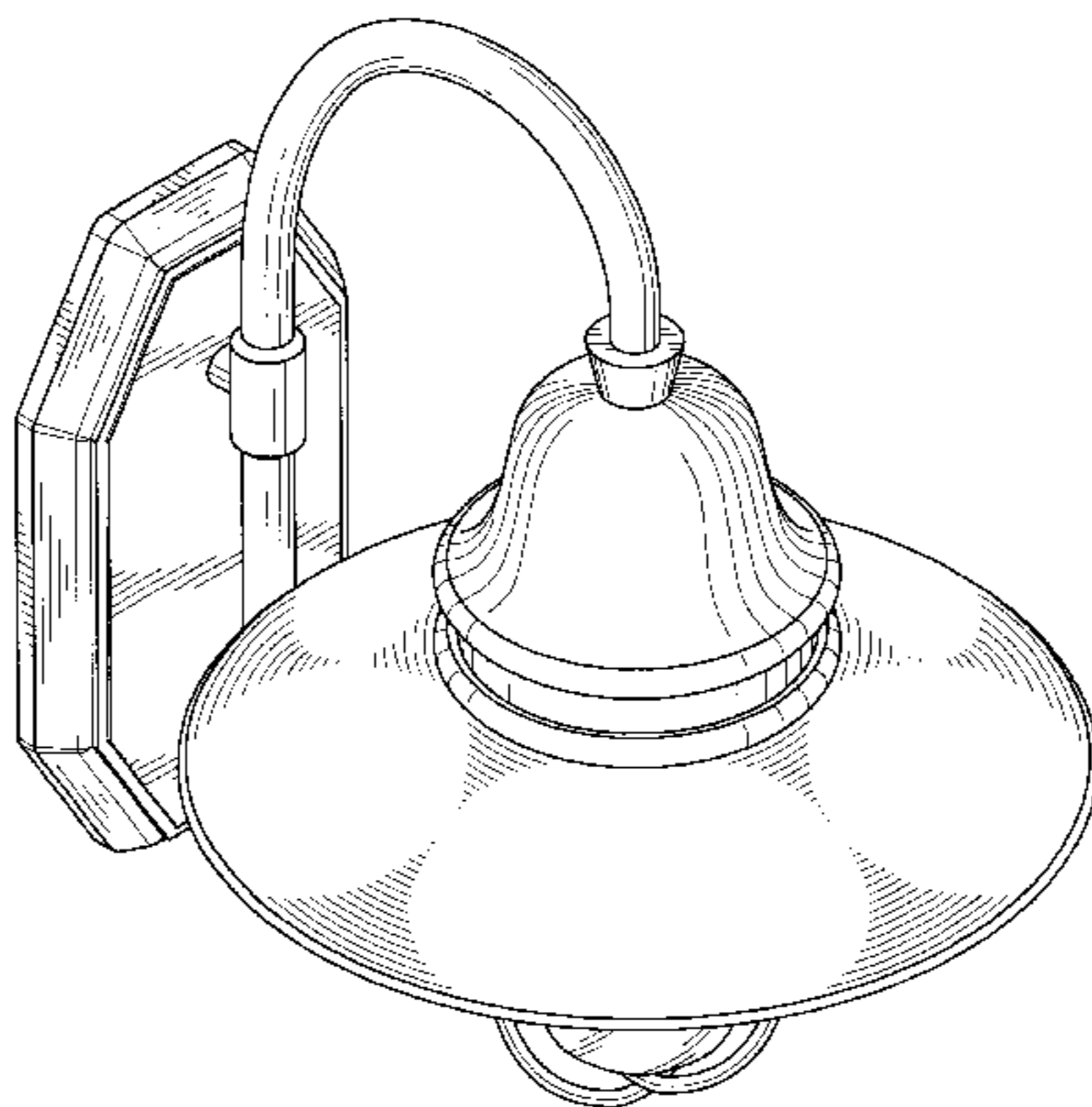
FIG. 4 is a left side elevational view thereof;

FIG. 5 is a right side elevational view thereof;

FIG. 6 is a top plan view thereof; and,

FIG. 7 is a bottom plan view thereof.

1 Claim, 4 Drawing Sheets



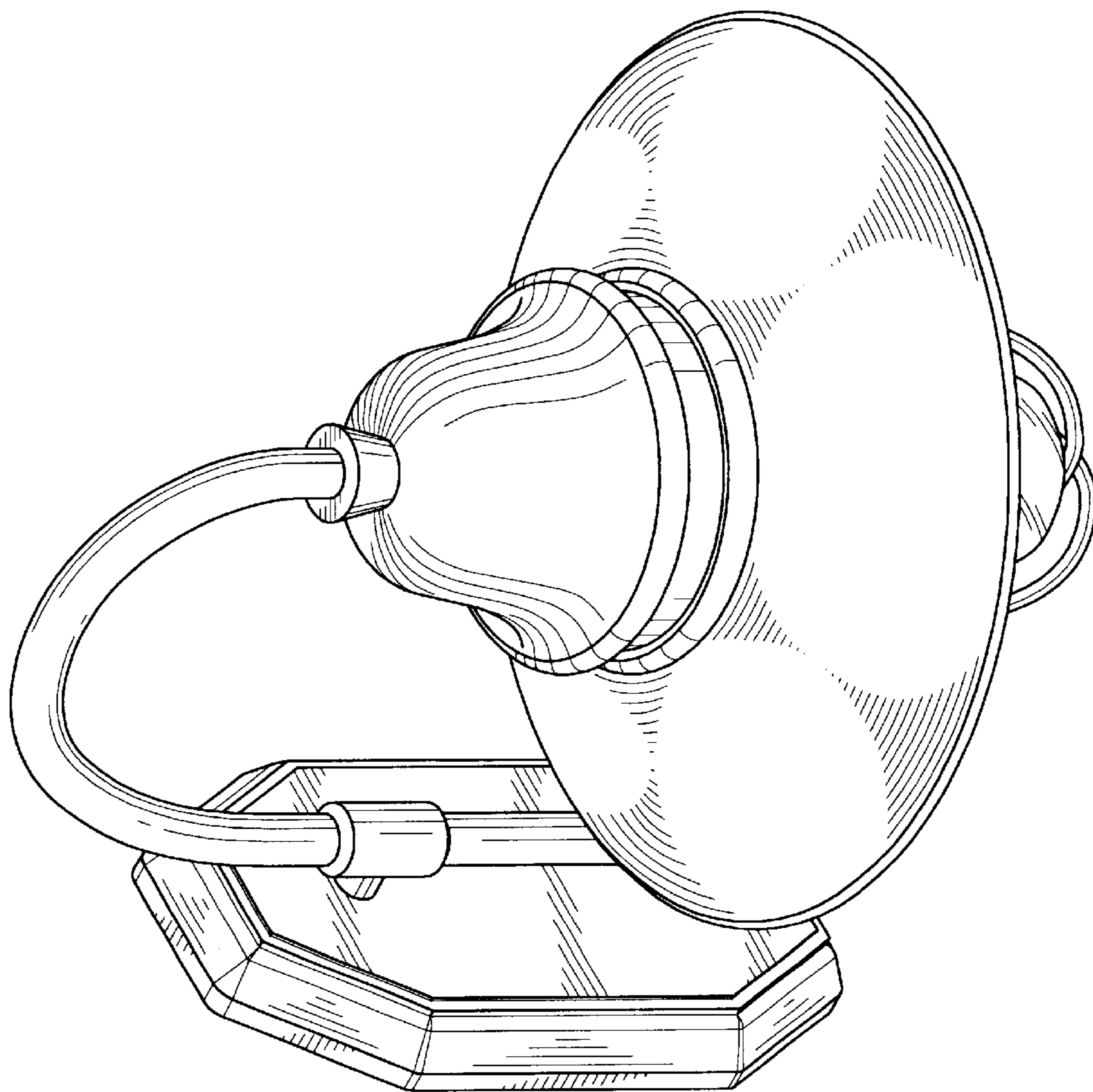


FIG.1

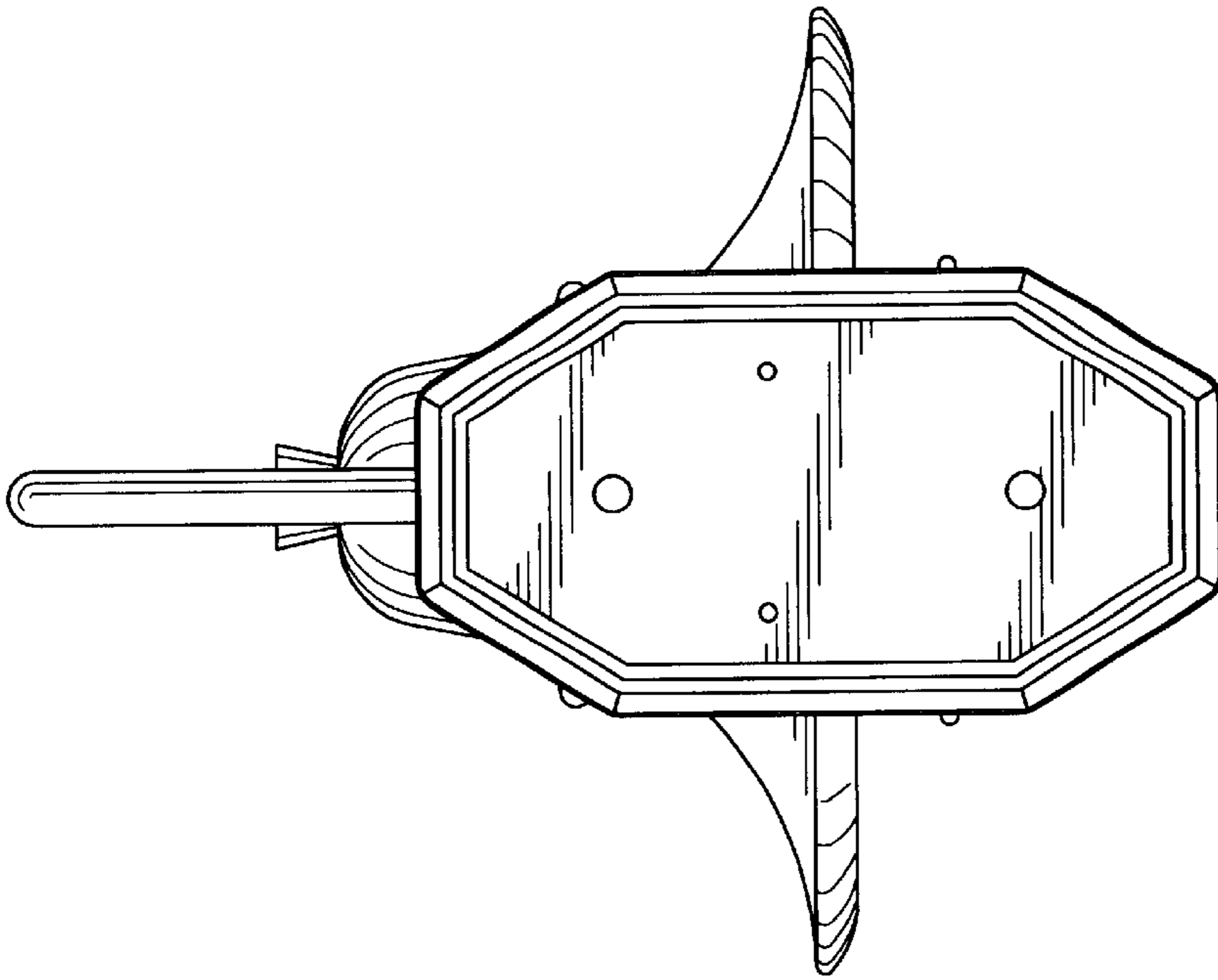


FIG.3

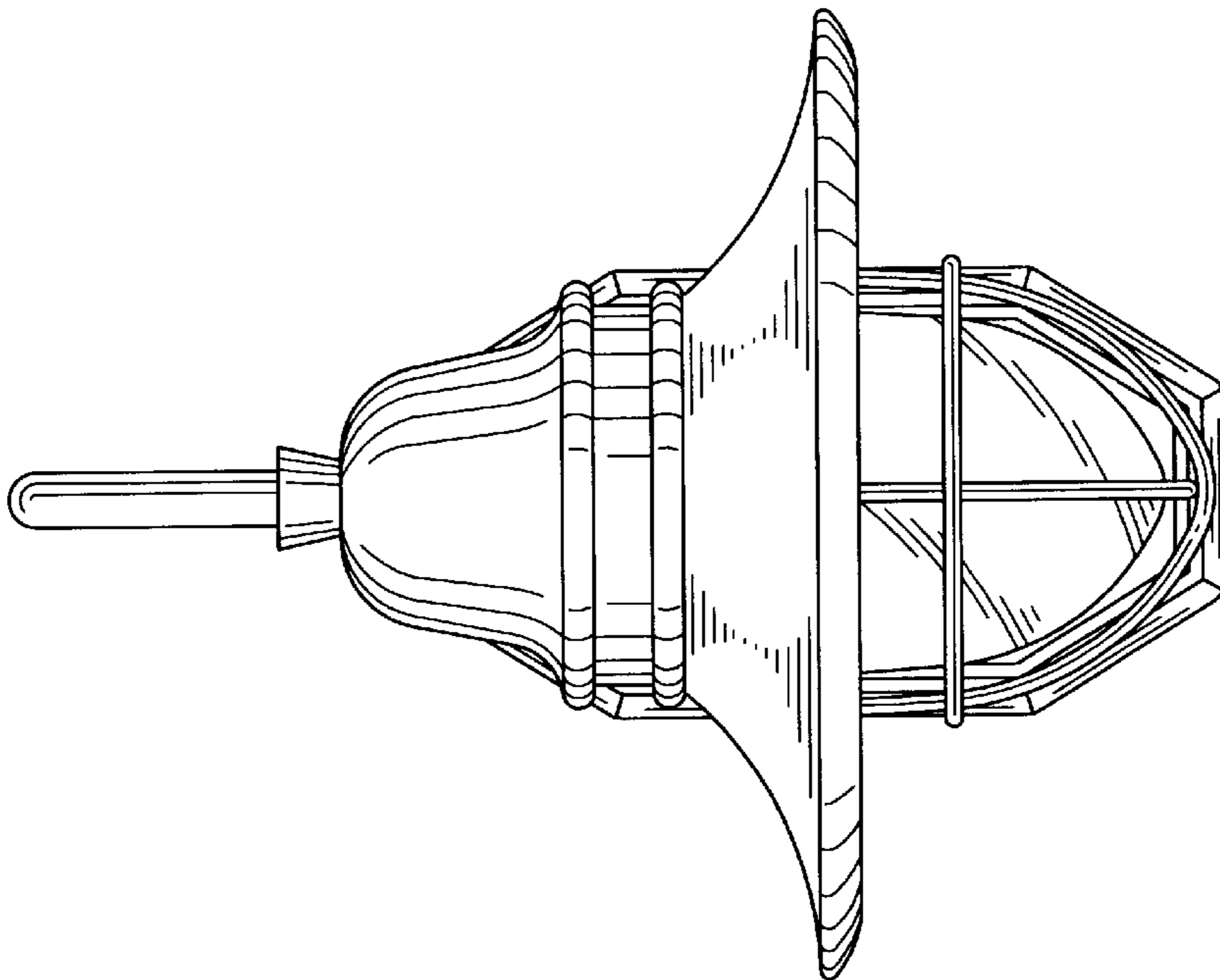


FIG.2

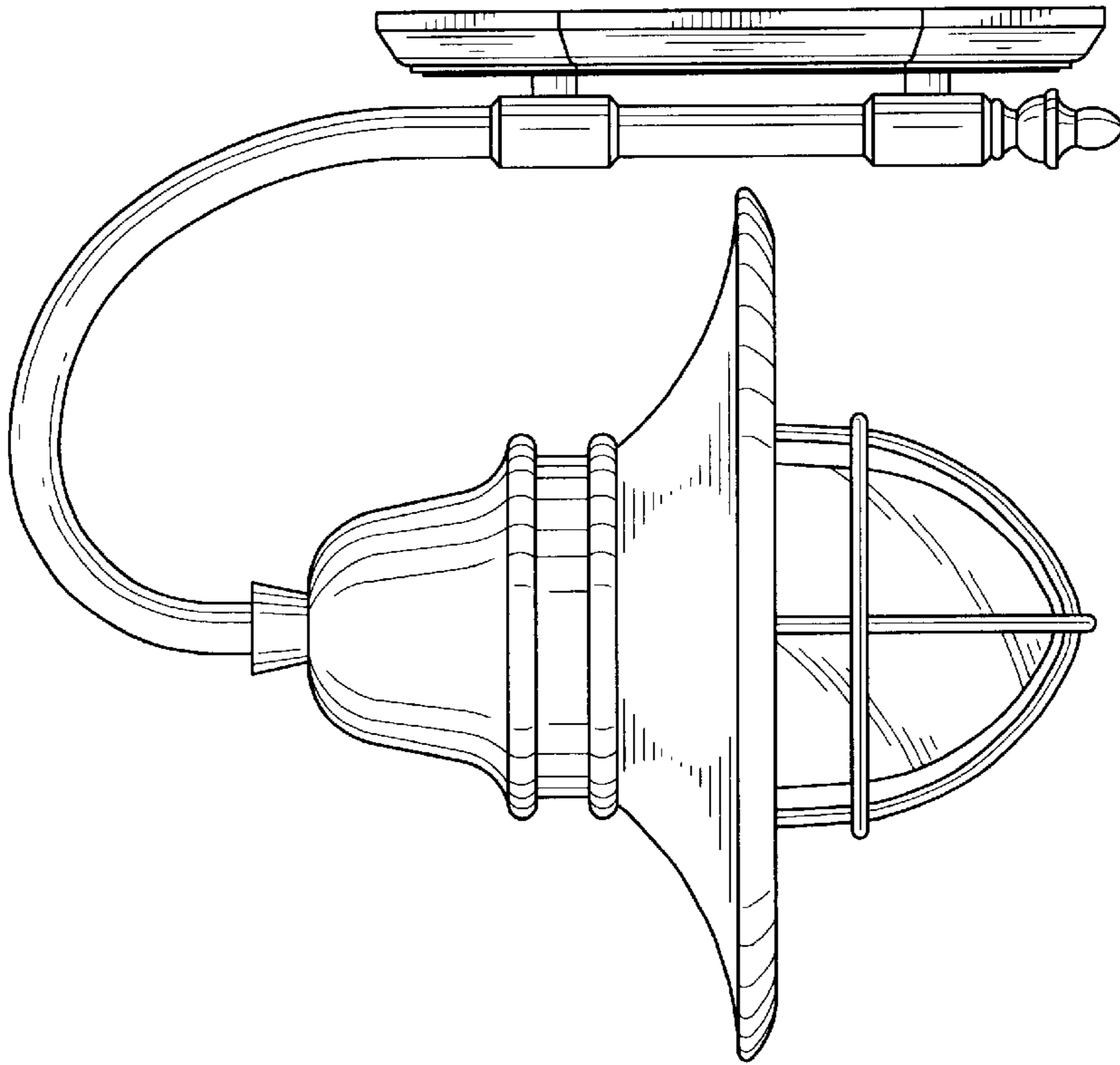


FIG. 5

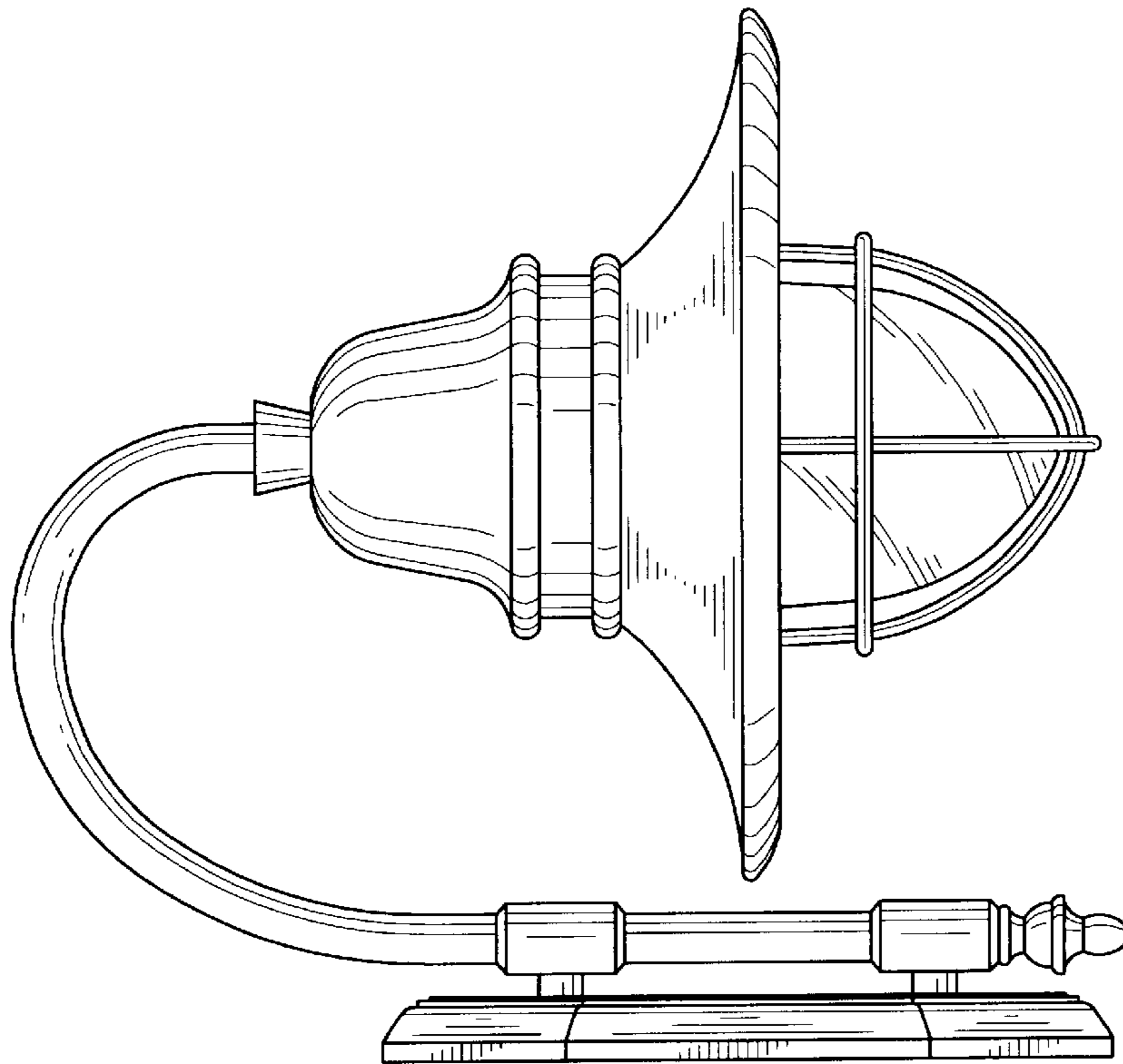


FIG. 4

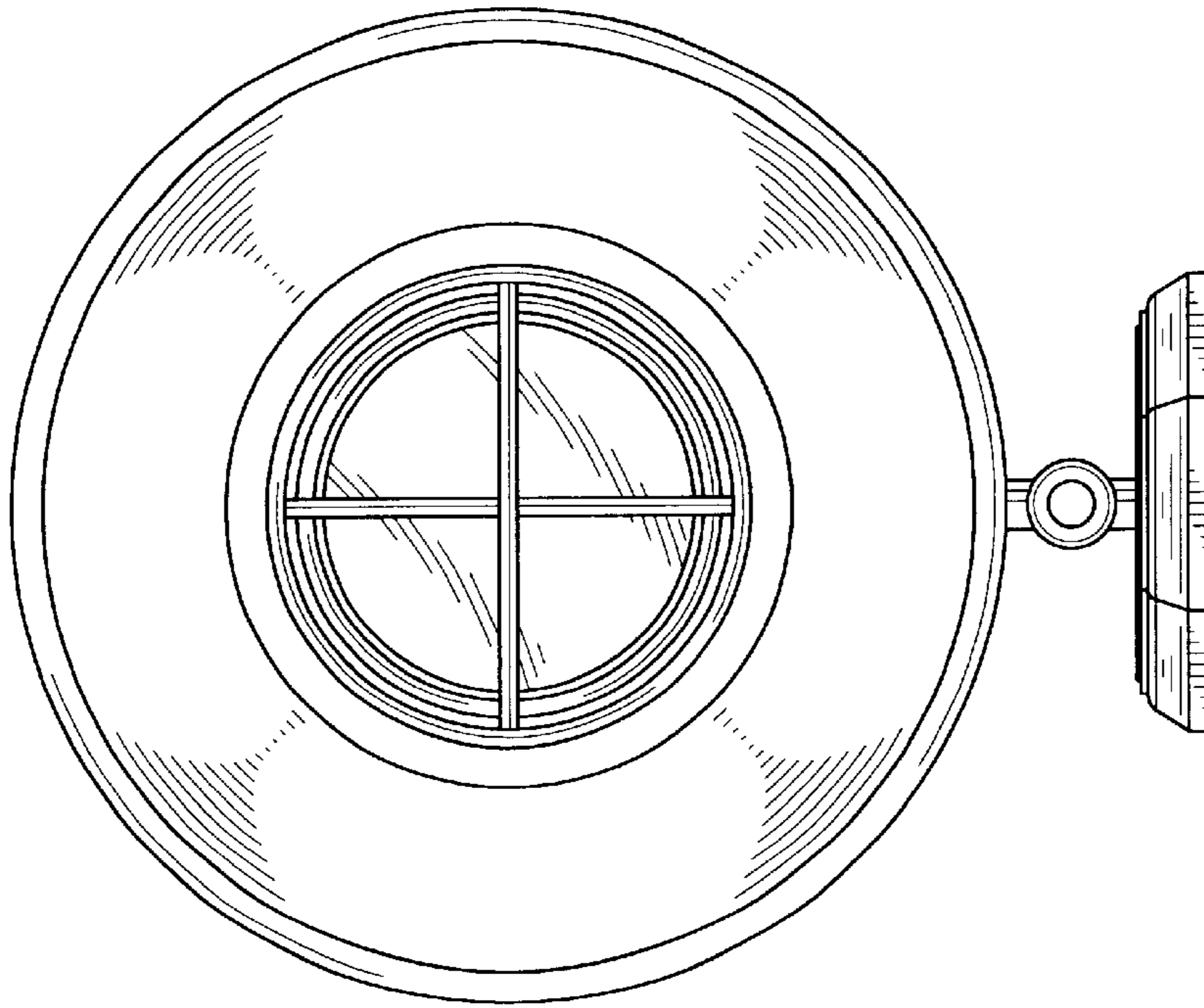


FIG. 7

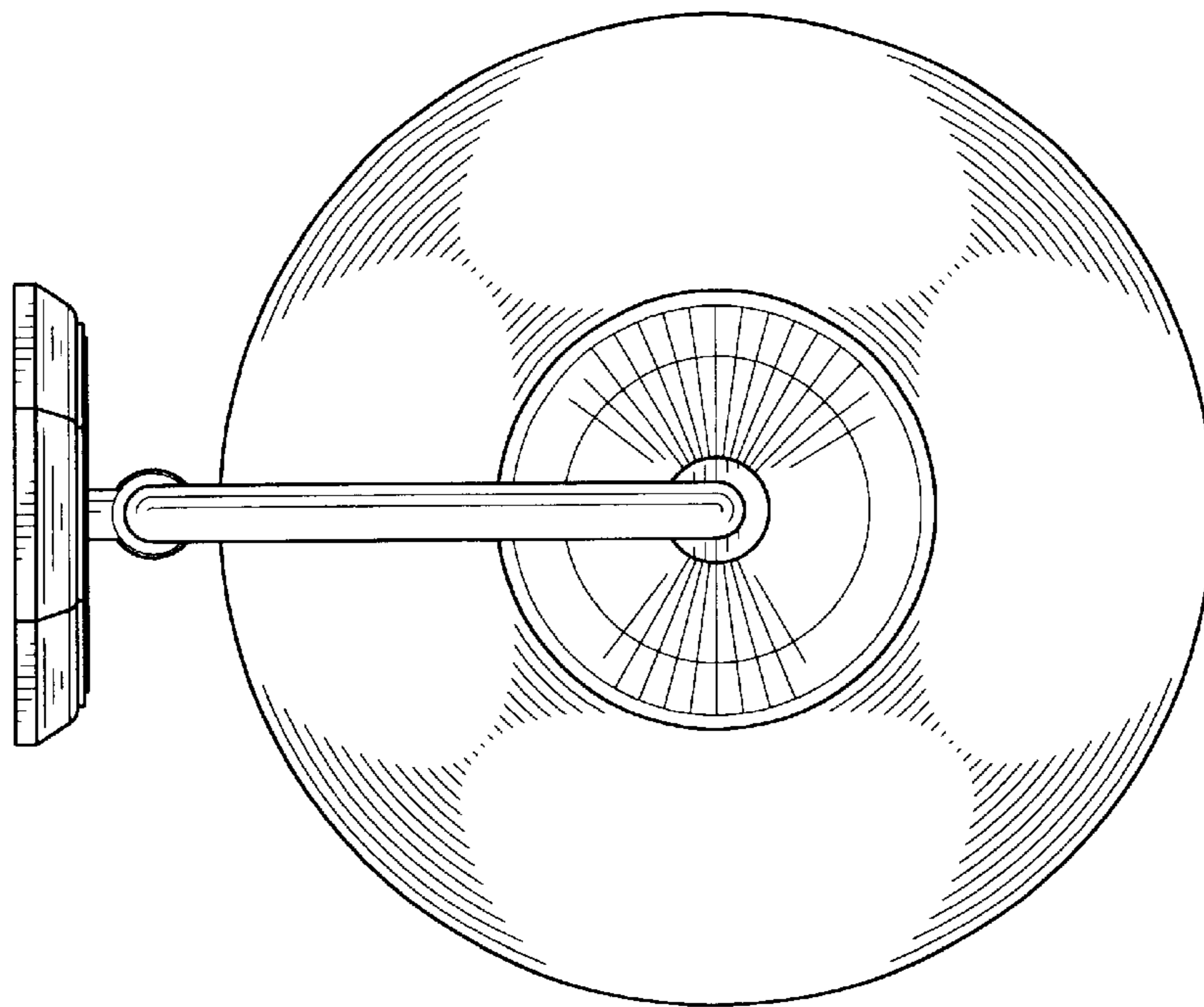


FIG. 6