



US00D487529S

(12) **United States Design Patent**
Kowitz

(10) **Patent No.:** **US D487,529 S**

(45) **Date of Patent:** **** Mar. 9, 2004**

(54) **LIGHT FIXTURE**

Sea Gull Lighting Catalog 2001; p. 229; item 4123-15.*

(76) Inventor: **Ivi M. Kowitz**, 2524 Oakmere Dr.,
Harvey, LA (US) 70058

* cited by examiner

(**) Term: **14 Years**

Primary Examiner—Clare E Heflin
(74) *Attorney, Agent, or Firm*—Keaty Professional Law
Corporation

(21) Appl. No.: **29/182,529**

(22) Filed: **May 28, 2003**

(51) **LOC (7) Cl.** **26-03**

(52) **U.S. Cl.** **D26/85**

(58) **Field of Search** D26/24, 67-73,
D26/80, 82, 84-92, 128; 362/145, 147,
153, 153.1, 186, 257, 276, 312, 330, 351,
354, 358, 361-363, 431-433, 806, 404-408

(57) **CLAIM**

The ornamental design for a light fixture, as shown and
described.

DESCRIPTION

FIG. 1 is a bottom perspective view of my new ornamental
design for a lighting fixture.

FIG. 2 is a front view of the light fixture shown in FIG. 1.

FIG. 3 is a bottom view of the light fixture shown in FIGS.
1 and 2.

FIG. 4 is a rear view of the light fixture shown in FIGS. 1-3;
and,

FIG. 5 is a left side view of the light fixture shown in FIGS.
1-4. The opposite side is a mirror image shown in FIG. 5.

(56) **References Cited**

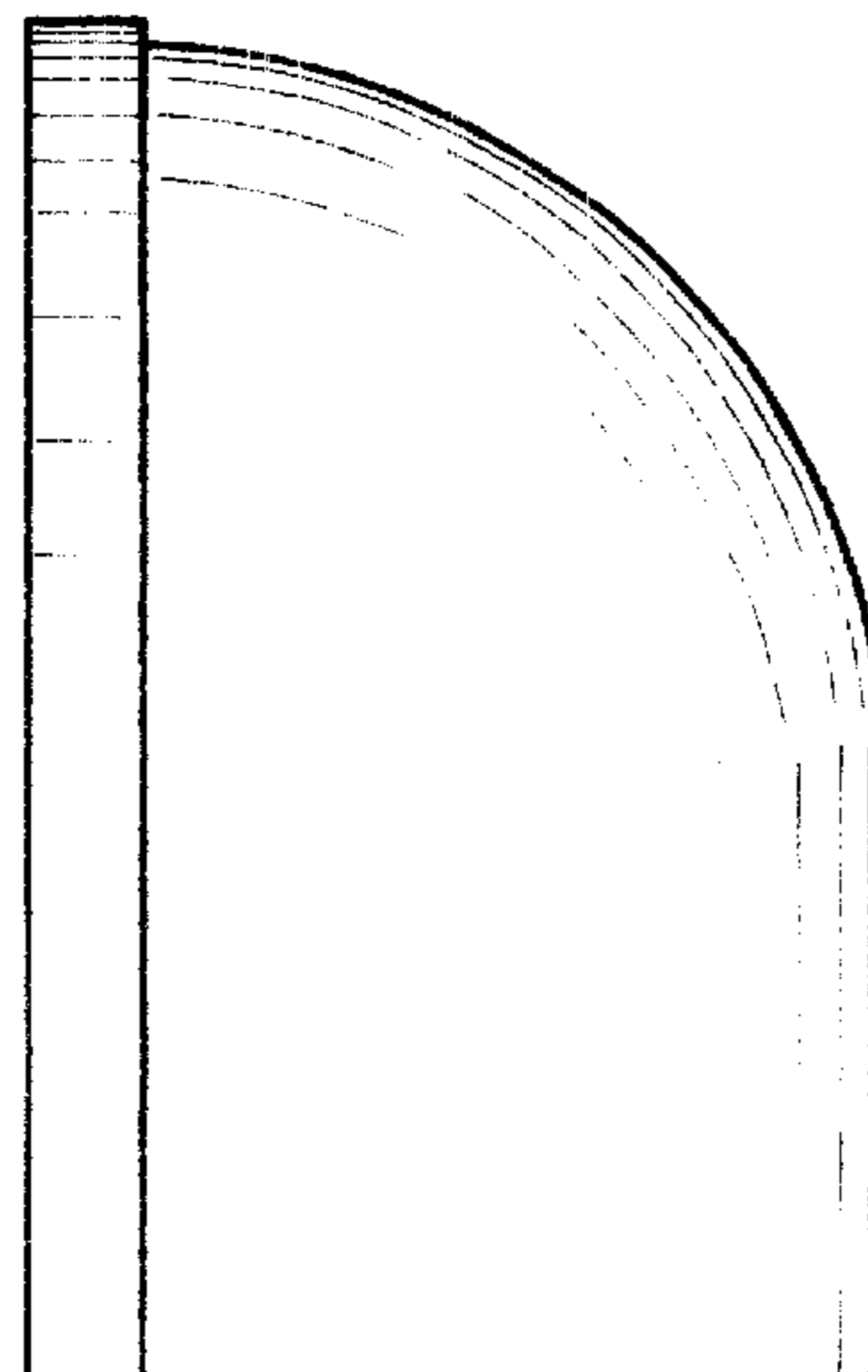
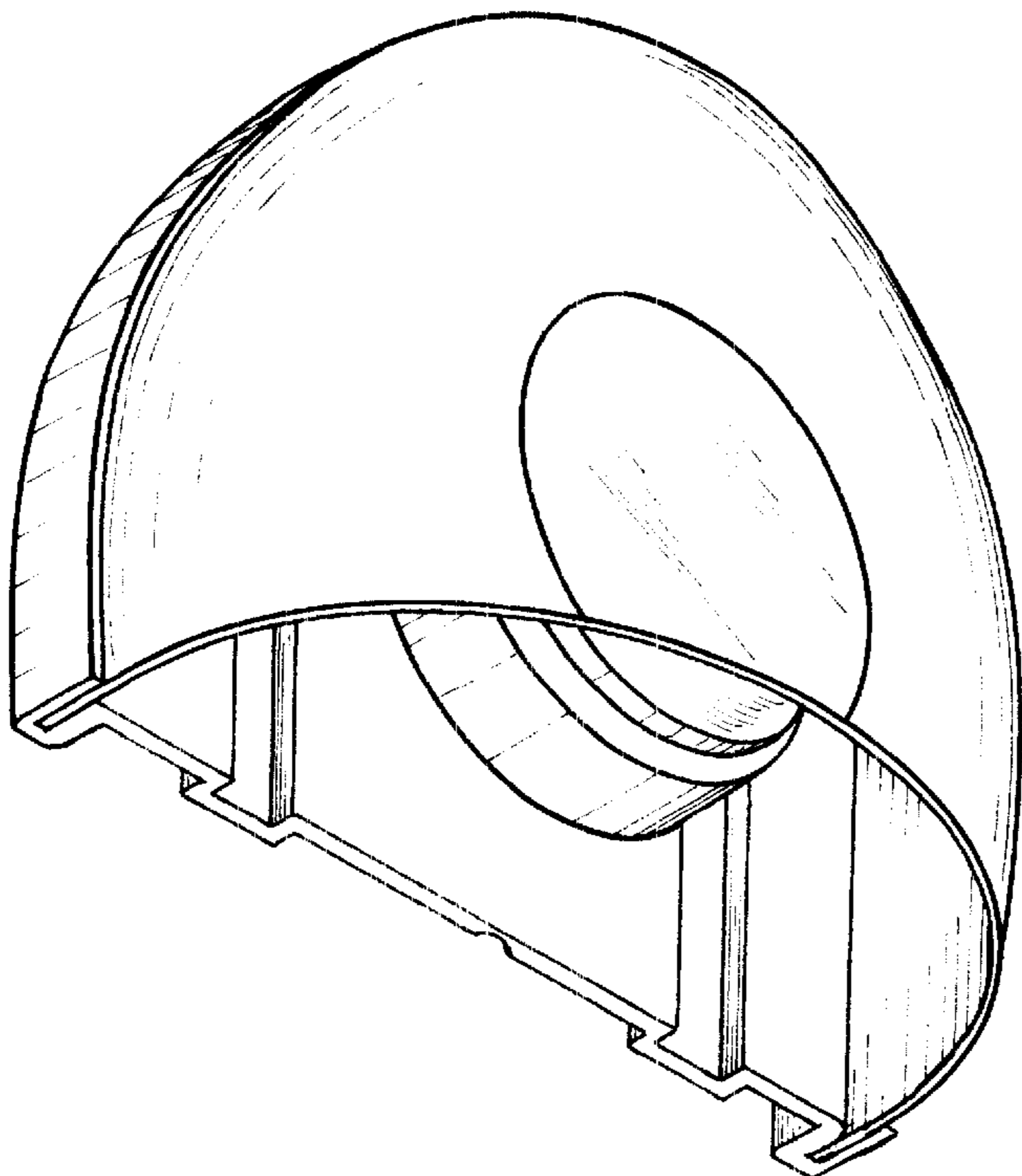
U.S. PATENT DOCUMENTS

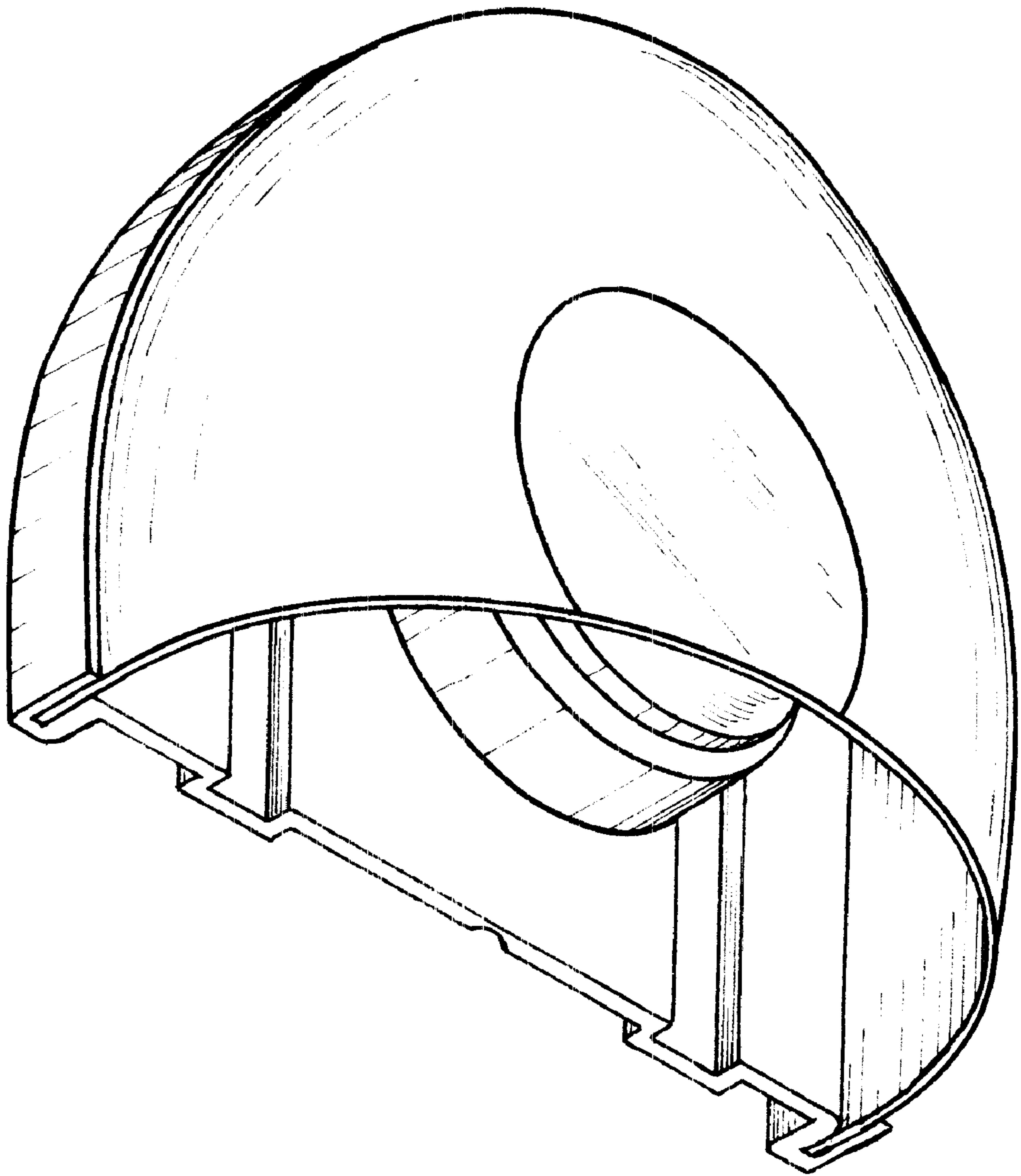
1,434,276	A	*	10/1922	Aslanian	362/355
D169,960	S	*	7/1953	Brill et al.	D26/85
D170,188	S	*	8/1953	Flood, Jr.	D26/85
D222,117	S	*	9/1971	Baatz	D26/85
D324,112	S	*	2/1992	Von Kluck	D26/86
D384,761	S	*	10/1997	Littman et al.	D26/72

OTHER PUBLICATIONS

Kichler Catalog No.793 (C)1993; p. 124; item K-10662.*
Corbett Wall Sconce Lighting Catalog (c)1994; p. W2; item
5045.*

1 Claim, 3 Drawing Sheets





F I G . 1

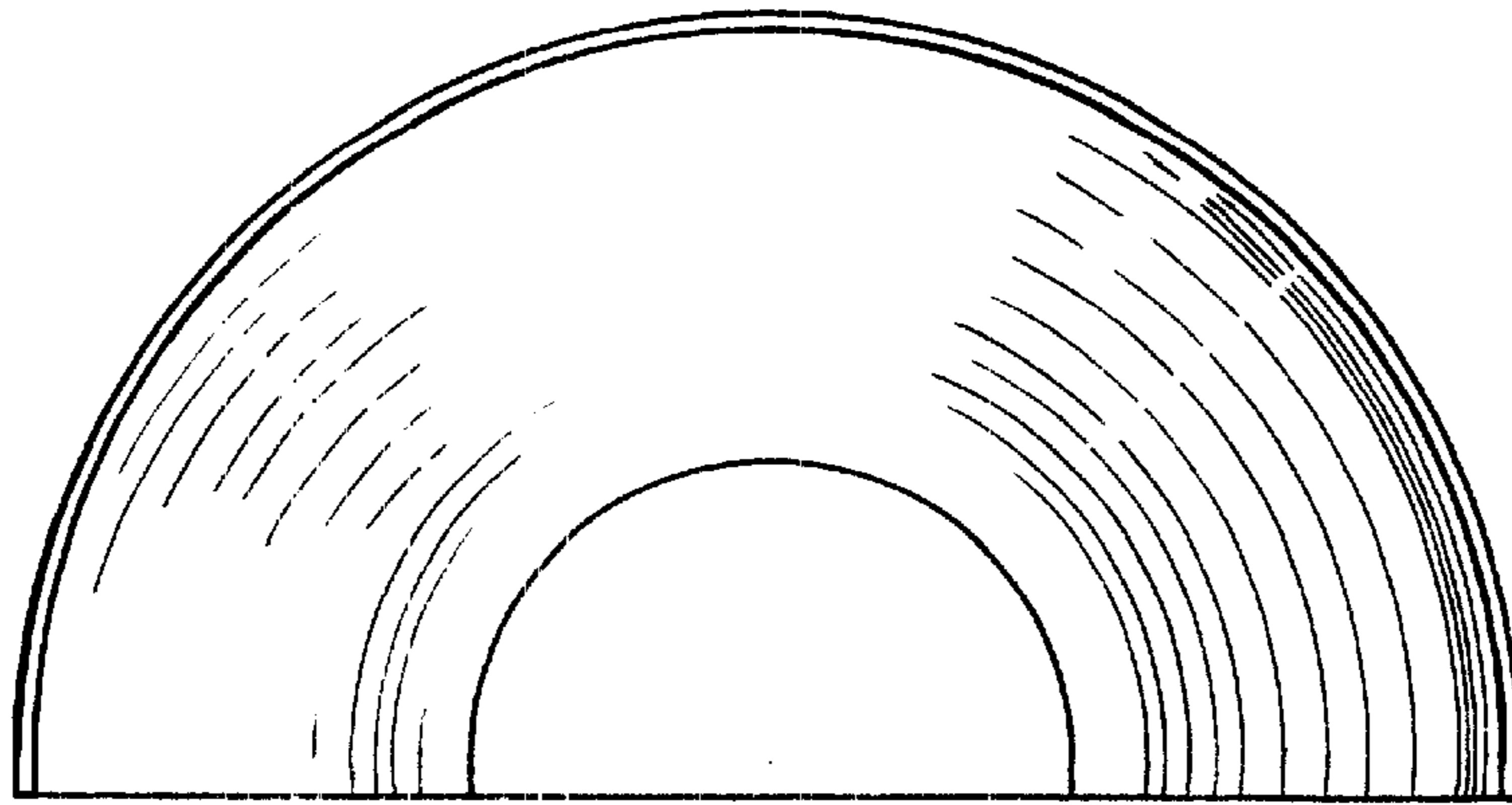


FIG. 2

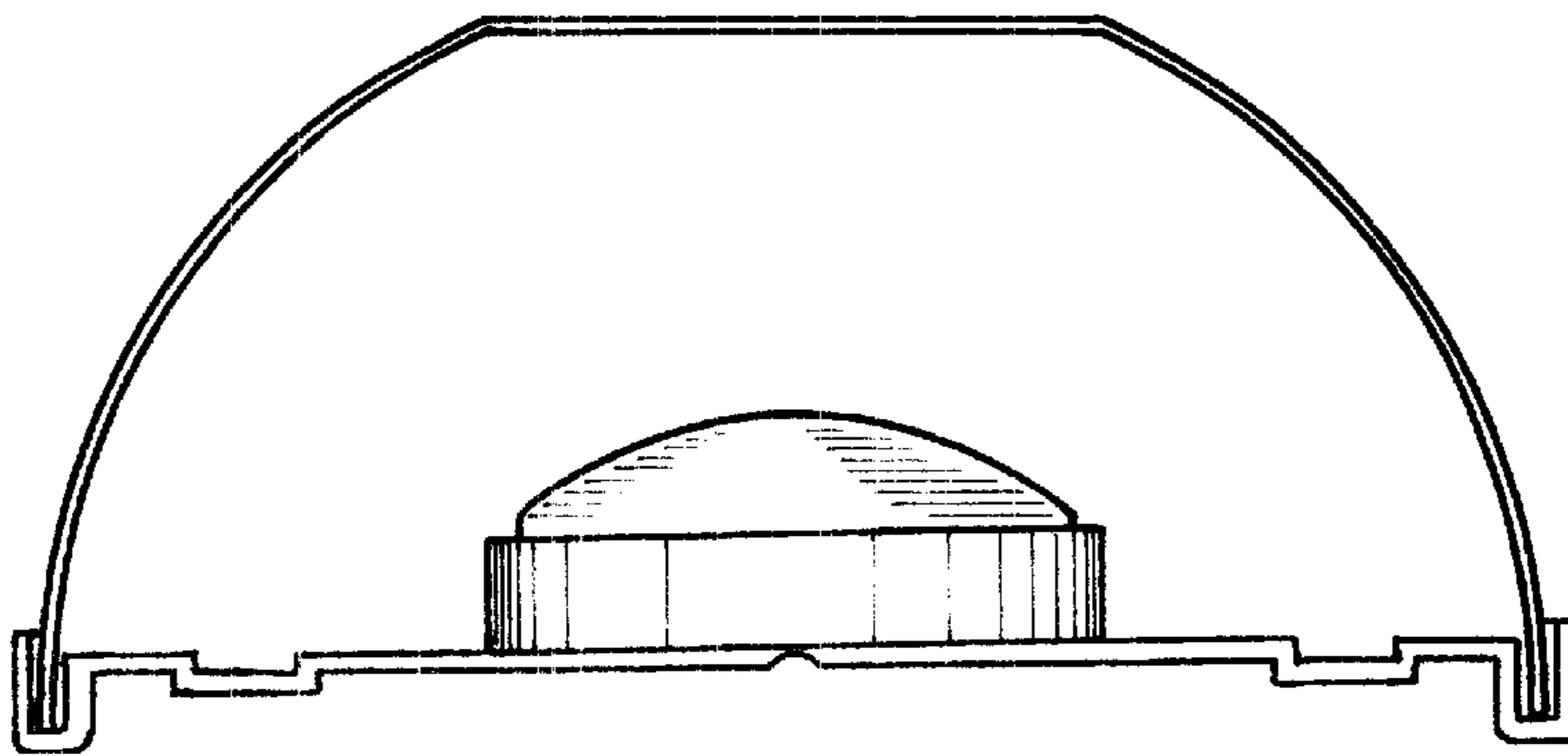


FIG. 3

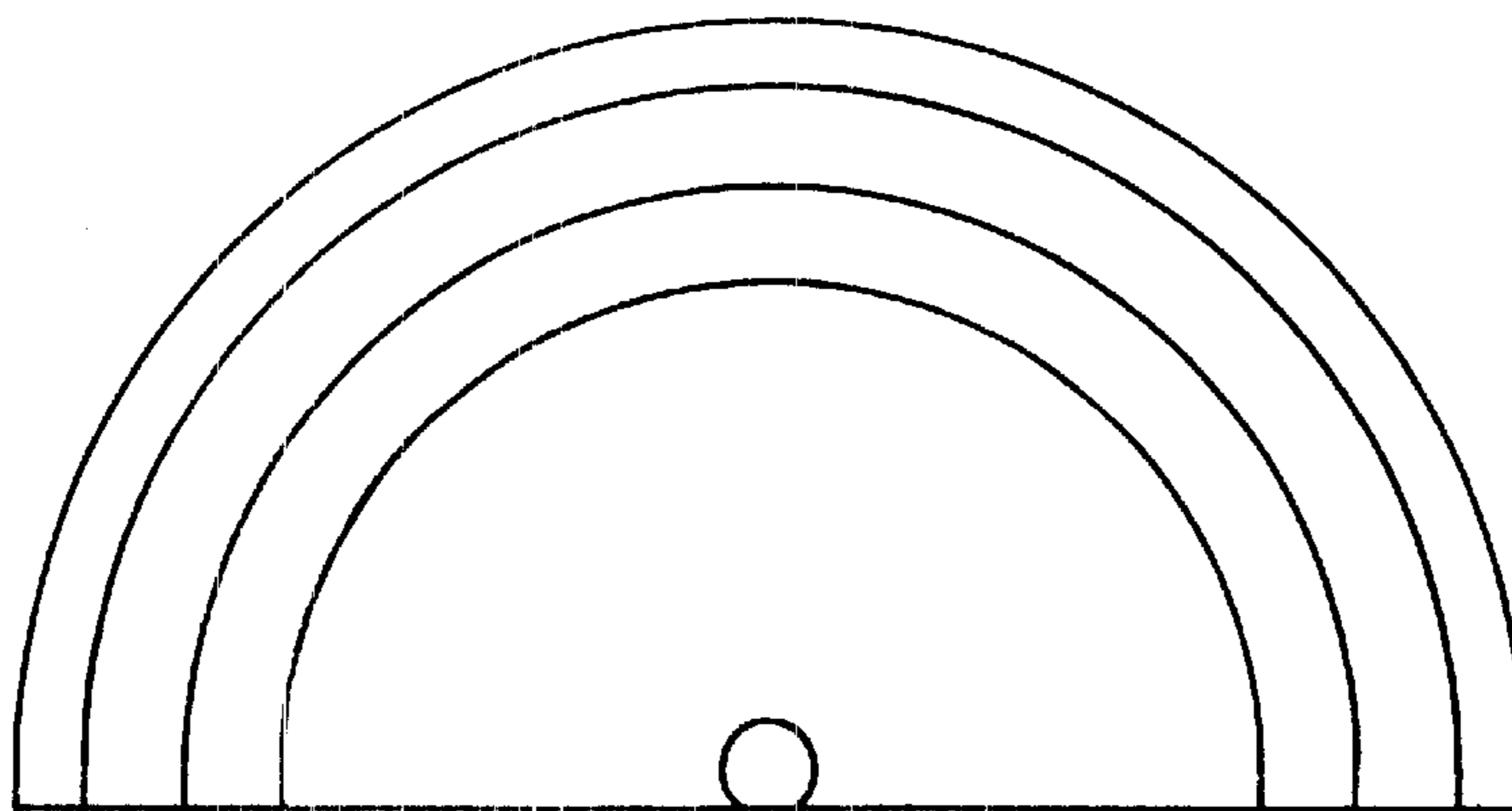
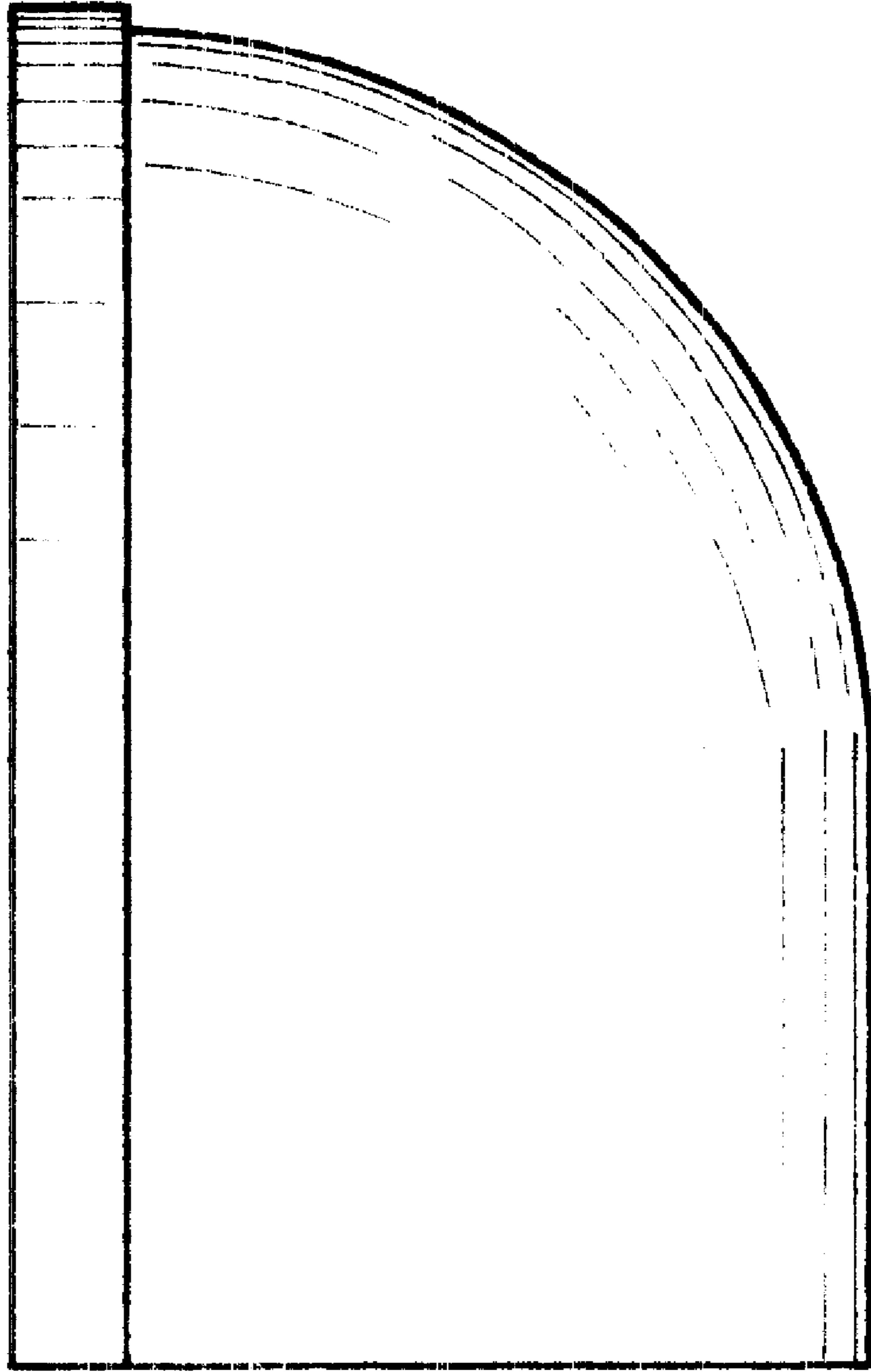


FIG. 4



F I G . 5