



US00D487527S

(12) **United States Design Patent**  
**Sieczkowski**

(10) **Patent No.:** **US D487,527 S**

(45) **Date of Patent:** **\*\* Mar. 9, 2004**

(54) **LUMINAIRE**

D459,012 S \* 6/2002 Shemitz et al. .... D26/76  
D461,923 S \* 8/2002 Chelf ..... D26/76

(75) Inventor: **Philip Sieczkowski**, Lawrenceville, GA (US)

\* cited by examiner

(73) Assignee: **Acuity Brands, Inc.**, Atlanta, GA (US)

*Primary Examiner*—Clare E Heflin

(74) *Attorney, Agent, or Firm*—Kenneth E. Darnell

(\*\*) Term: **14 Years**

(57) **CLAIM**

(21) Appl. No.: **29/181,451**

The ornamental design of a luminaire, as shown and described.

(22) Filed: **May 12, 2003**

**DESCRIPTION**

(51) **LOC (7) Cl.** ..... **26-03**

(52) **U.S. Cl.** ..... **D26/76**

(58) **Field of Search** ..... D26/24, 72, 75-78;  
362/217-225, 404, 147, 133, 151

FIG. 1 is a perspective view of a first embodiment of the design;

FIG. 2 is a side elevational view of the embodiment of FIG. 1;

FIG. 3 is an end elevation;

FIG. 4 is a bottom plan view;

FIG. 5 is a top plan view;

FIG. 6 is a perspective view of a second embodiment of the invention;

FIG. 7 is a side elevational view of the embodiment of FIG. 6;

FIG. 8 is an end view;

FIG. 9 is a bottom plan view; and,

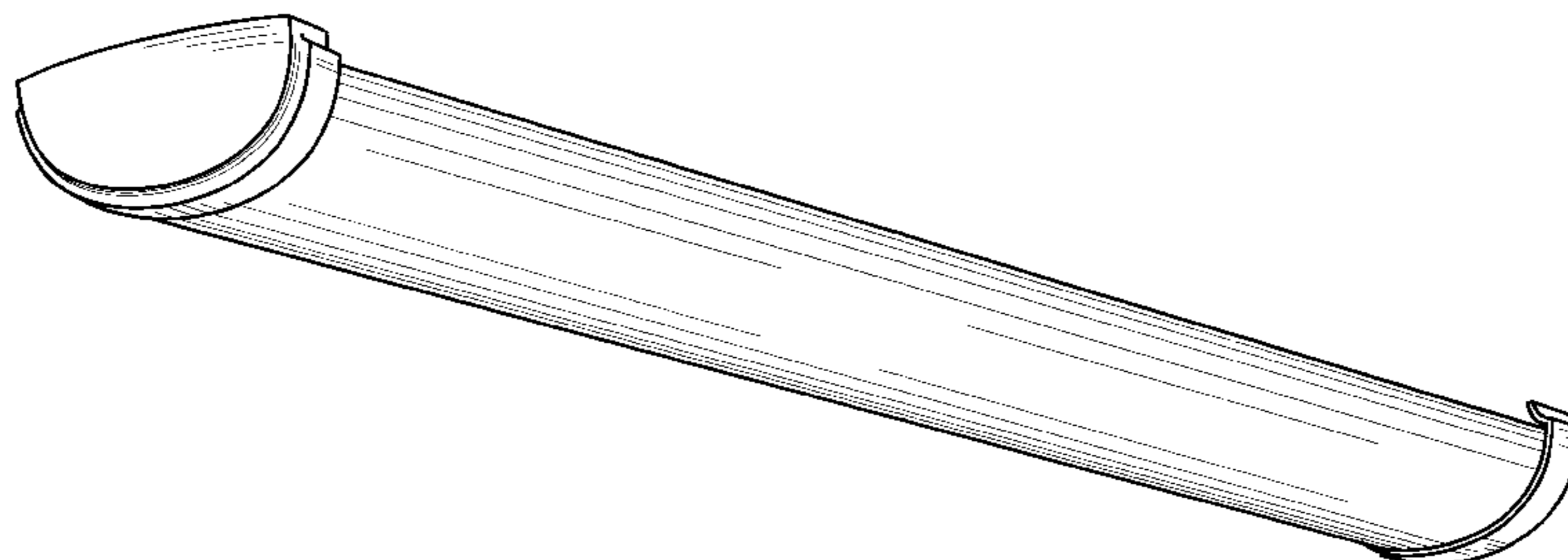
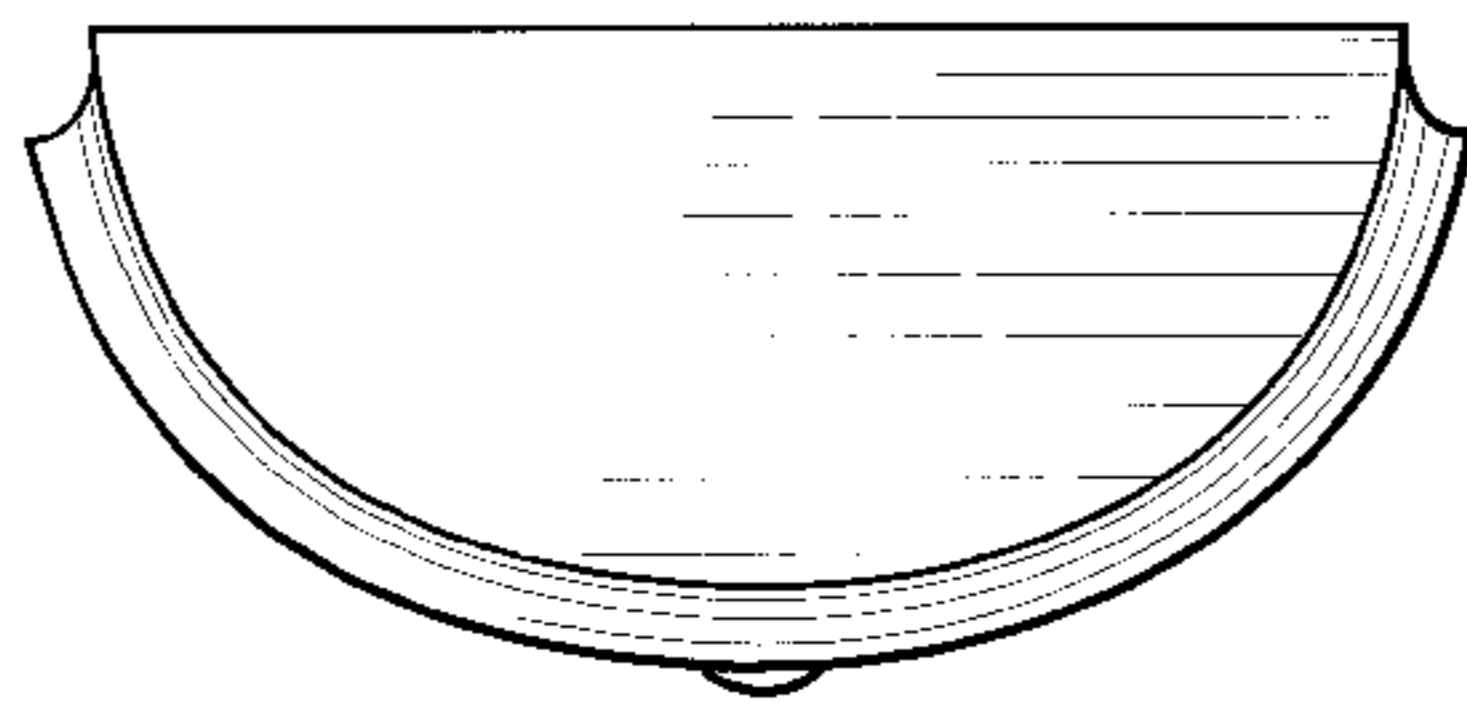
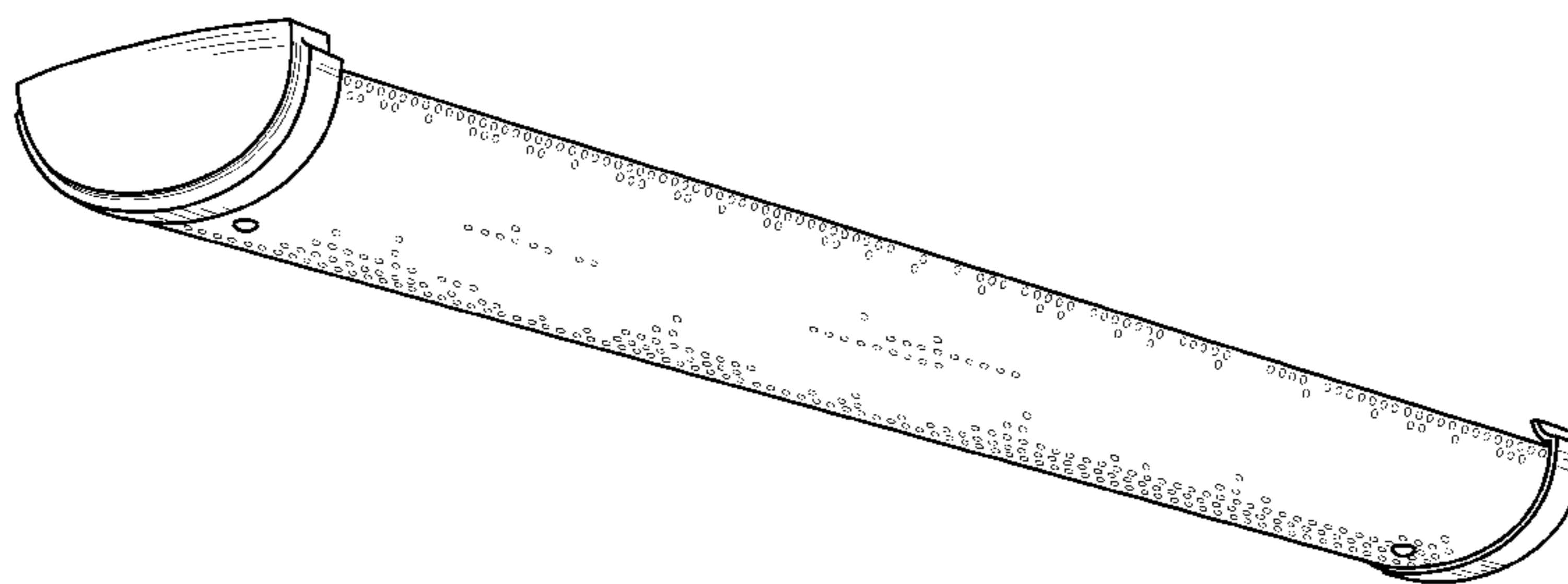
FIG. 10 is a top plan view.

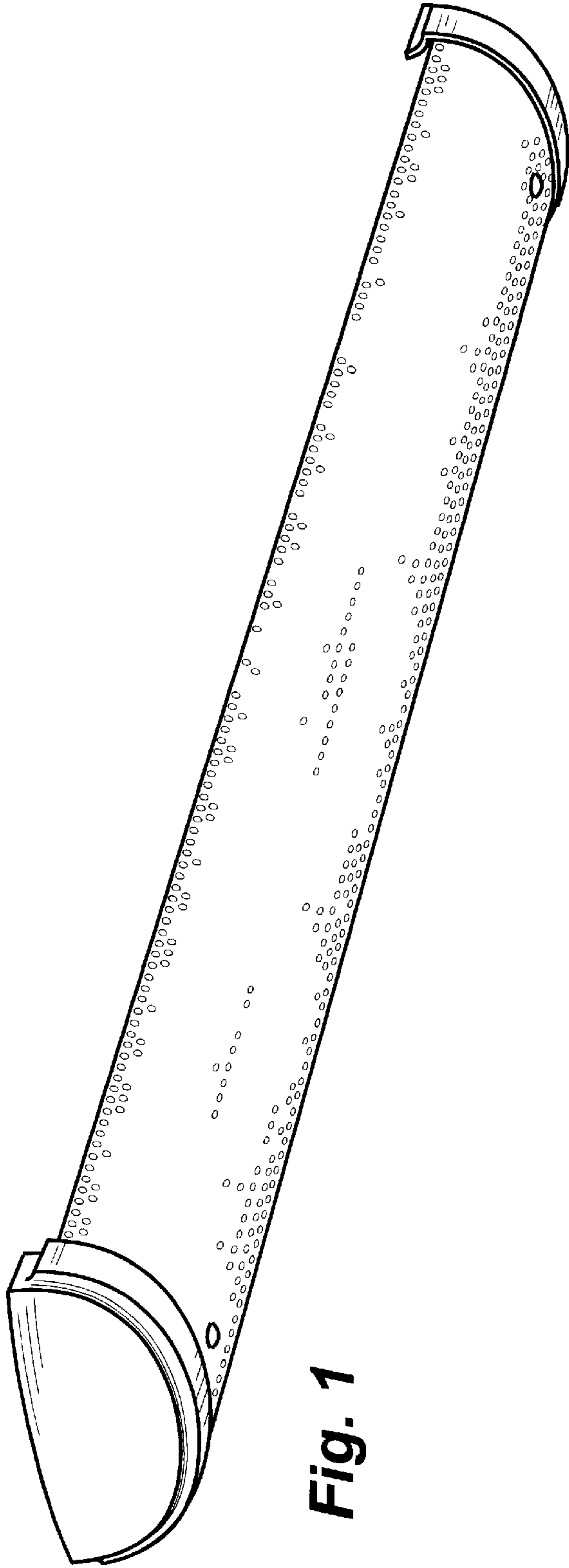
(56) **References Cited**

**U.S. PATENT DOCUMENTS**

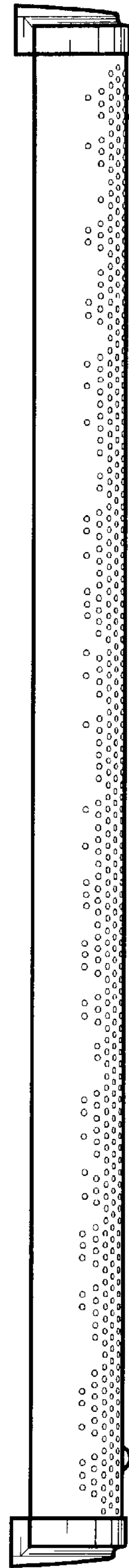
D131,532 S	*	3/1942	Naysmith	.....	D26/76
D133,214 S	*	7/1942	Ohm	.....	D26/76
2,338,077 A	*	12/1943	Scribner	.....	362/218
D140,343 S	*	2/1945	Nitardy	.....	D26/76
2,490,191 A	*	12/1949	Baker	.....	362/223
3,860,903 A	*	1/1975	Van Steenhoven	.....	362/232
4,622,624 A	*	11/1986	McCarthy et al.	.....	362/217
4,939,627 A	*	7/1990	Herst et al.	.....	362/147
5,911,498 A	*	6/1999	Shemitz et al.	.....	362/217
D444,587 S	*	7/2001	Hastings et al.	.....	D26/76

**1 Claim, 4 Drawing Sheets**

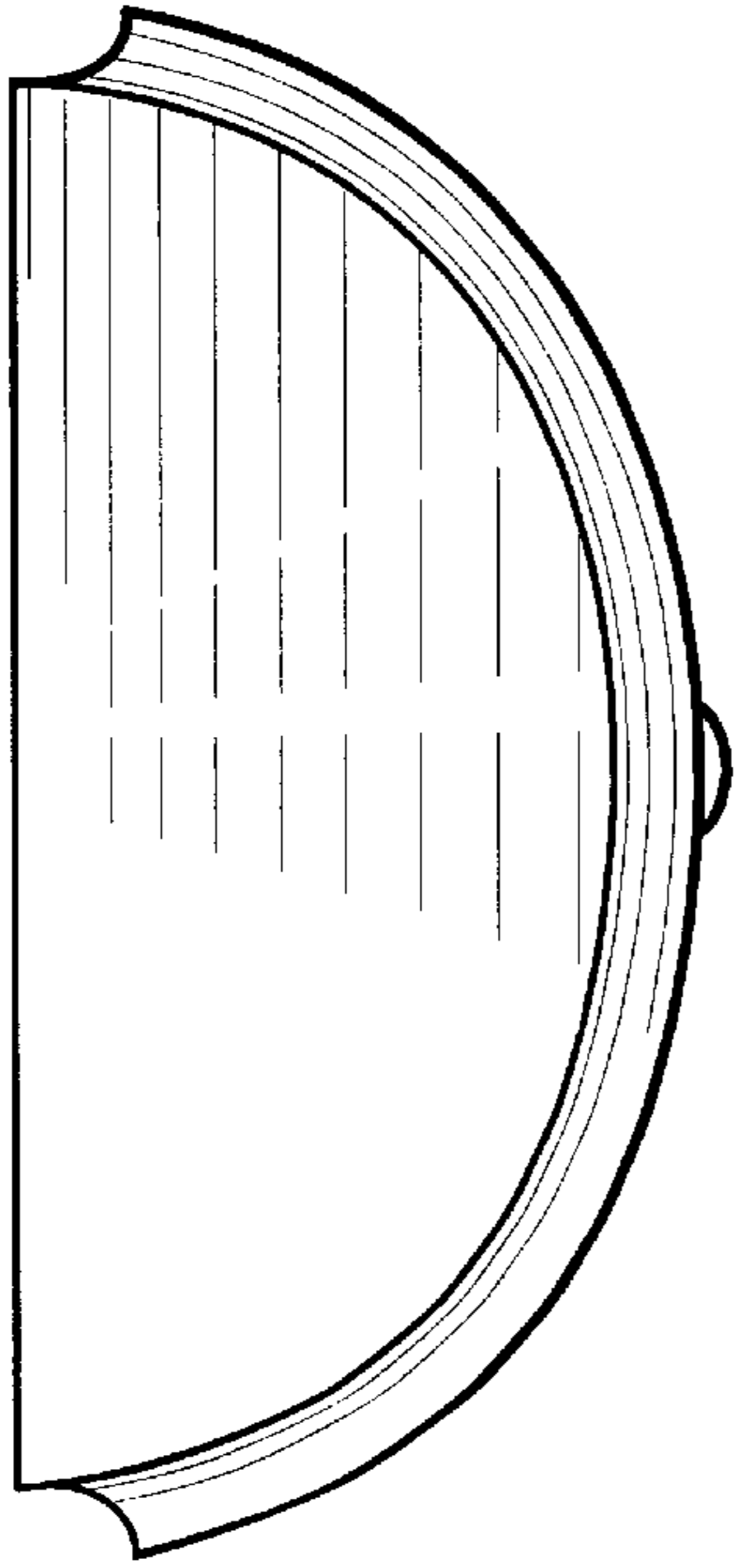




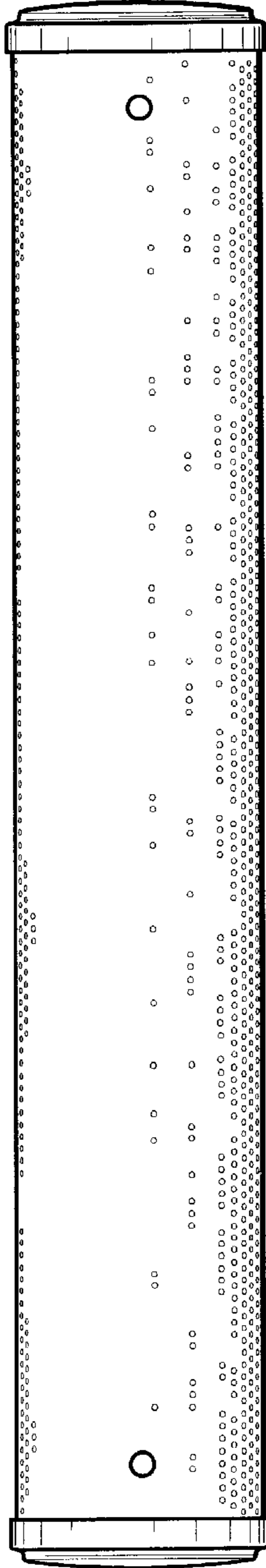
**Fig. 1**



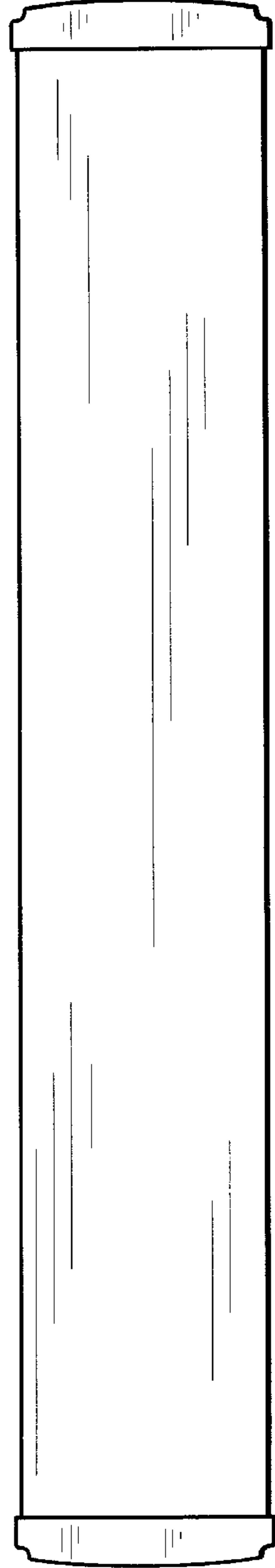
**Fig. 2**



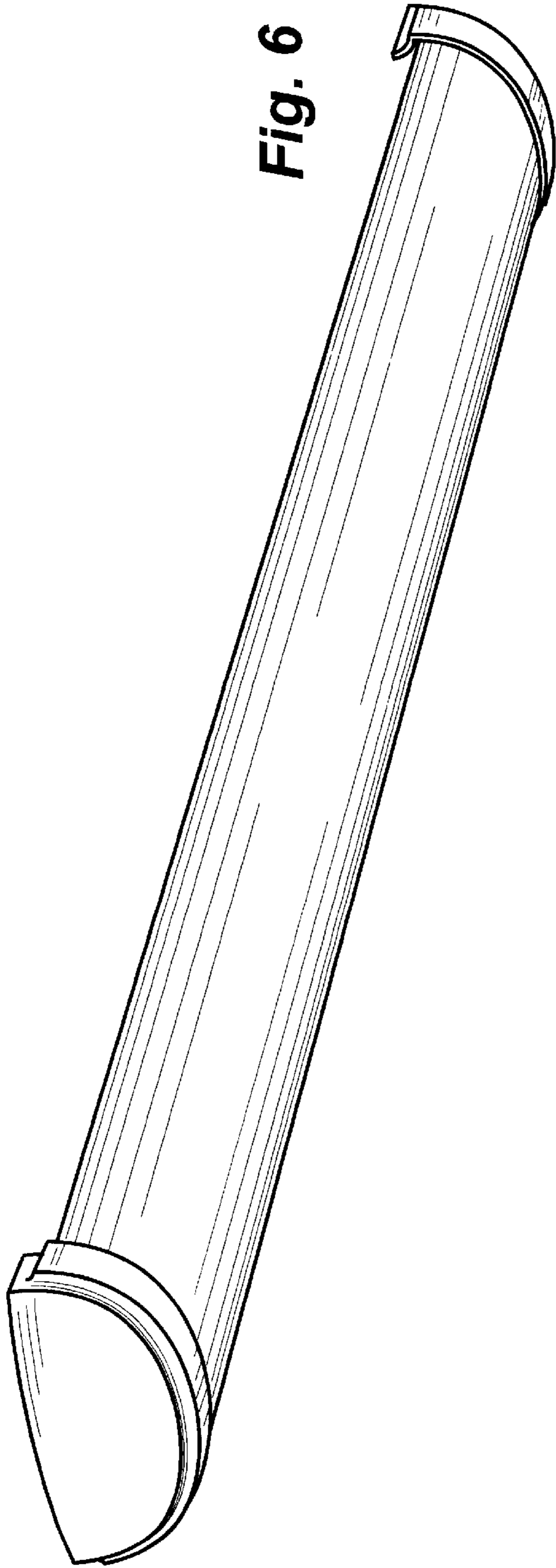
**Fig. 3**



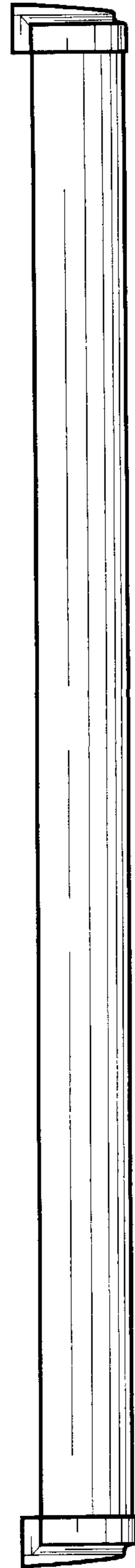
**Fig. 4**



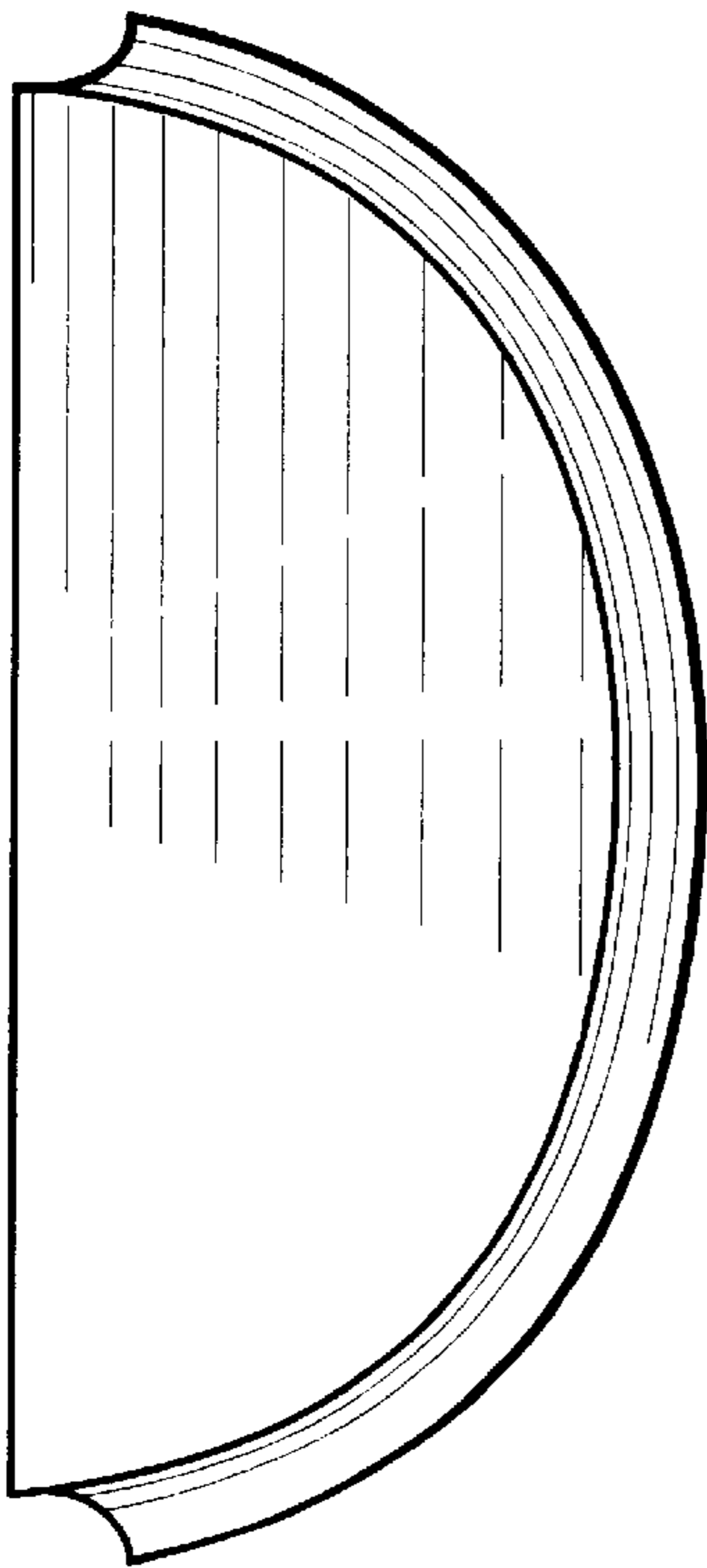
**Fig. 5**



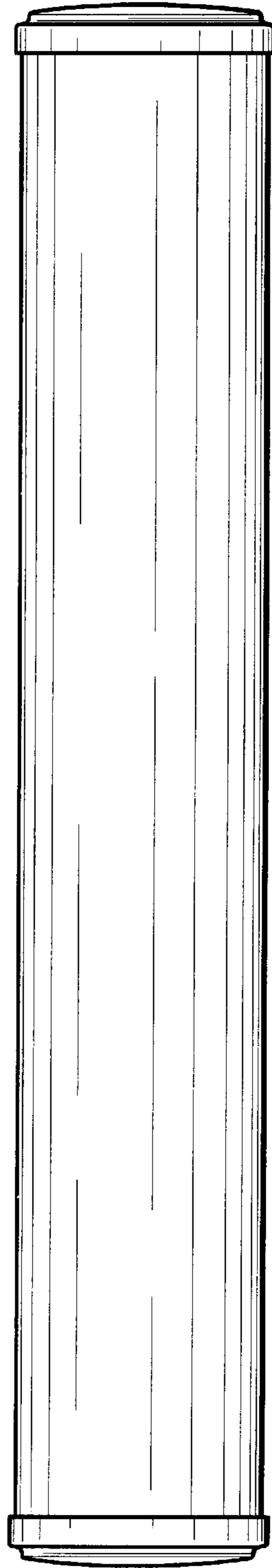
**Fig. 6**



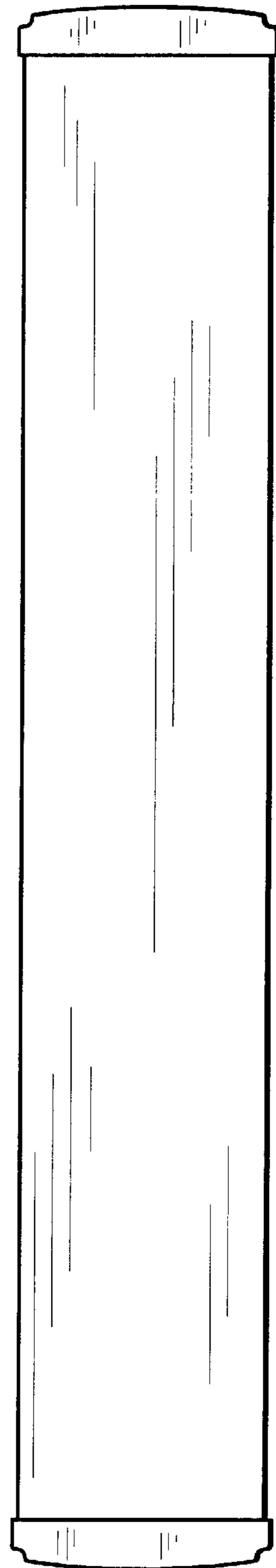
**Fig. 7**



**Fig. 8**



**Fig. 9**



**Fig. 10**