



US00D487521S

(12) **United States Design Patent**
Link

(10) **Patent No.:** **US D487,521 S**

(45) **Date of Patent:** **** Mar. 9, 2004**

(54) **GARAGE DOOR PANEL**

(75) Inventor: **Timothy J. Link**, 321 Mojave West,
Lake Quivira, KS (US) 66217

(73) Assignee: **Timothy J. Link**, Lake Quivira, KS
(US)

(**) Term: **14 Years**

(21) Appl. No.: **29/176,164**

(22) Filed: **Feb. 18, 2003**

(51) **LOC (7) Cl.** **25-01**

(52) **U.S. Cl.** **D25/138**

(58) **Field of Search** D25/138, 48; 160/120,
160/196.1, 197, 201

(56) **References Cited**

U.S. PATENT DOCUMENTS

D338,076 S * 8/1993 Current D25/138
6,227,278 B1 * 5/2001 Forsland 160/201

* cited by examiner

Primary Examiner—Doris Clark

(74) *Attorney, Agent, or Firm*—Lathrop & Gage

(57) **CLAIM**

The ornamental design for a garage door panel, as shown
and described.

DESCRIPTION

FIG. 1 is a perspective view of a garage door panel;

FIG. 2 is a front elevational view of the garage door panel;

FIG. 3 is a top view of the garage door panel, the bottom
view being a mirror image thereof;

FIG. 4 is a right side elevational view of the garage door
panel, the left side elevational view being a mirror image
thereof;

FIG. 5 is a close-up cross-sectional view of the garage door
panel taken along line 5—5 of FIG. 1;

FIG. 6 is a perspective view of the garage door panel as
located in a garage door;

FIG. 7 is a perspective view of another embodiment of a
garage door panel, showing the new design;

FIG. 8 is a front elevational view of the garage door panel
of FIG. 7;

FIG. 9 is a top plan view of the garage door panel of FIG.
7, the bottom plan view being a mirror image thereof;

FIG. 10 is a right side elevational view of the garage door
panel of FIG. 7, the left side elevational view being a mirror
image thereof;

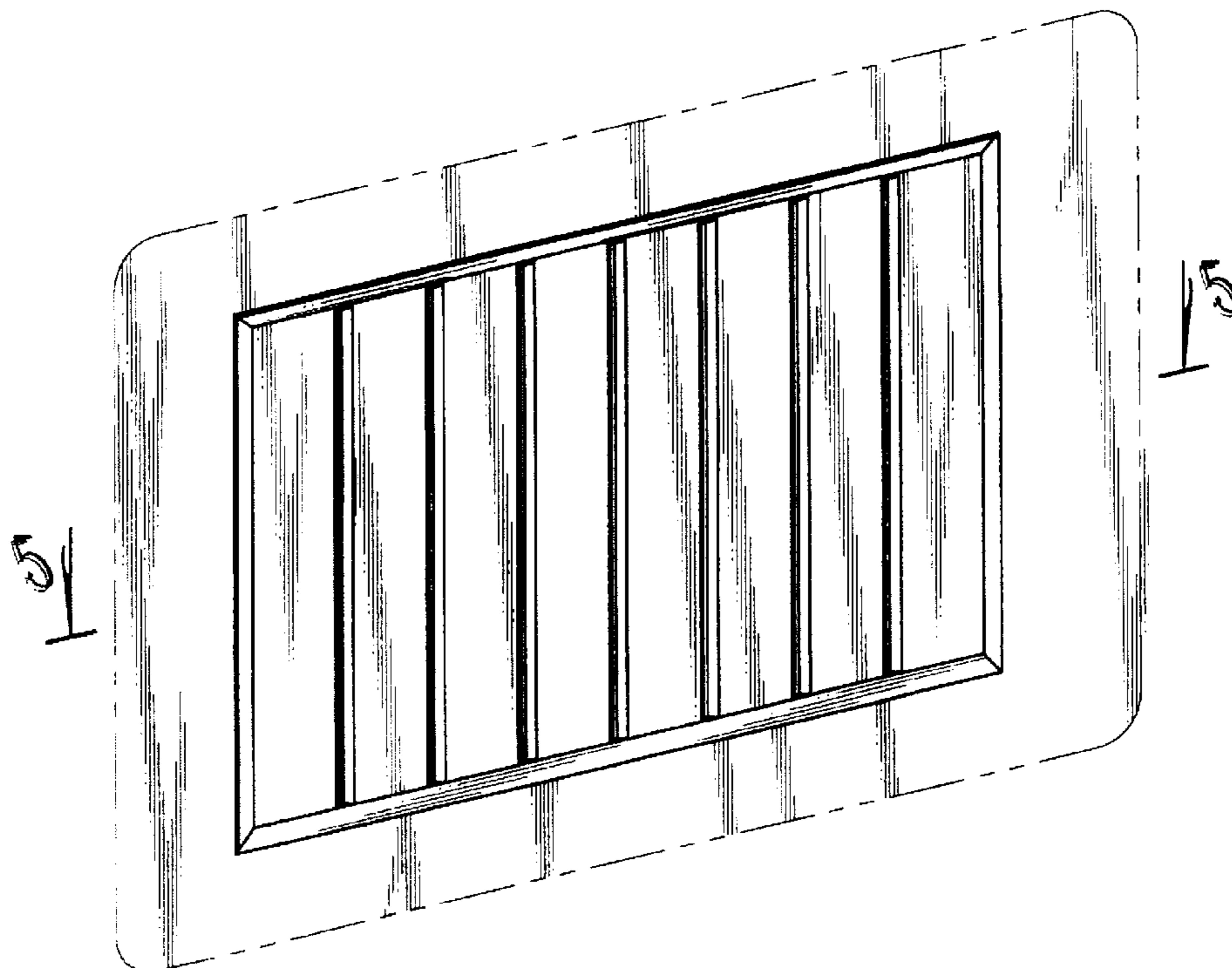
FIG. 11 is a cross-sectional view of the garage door panel of
FIG. 7 taken along line 11—11 of FIG. 7;

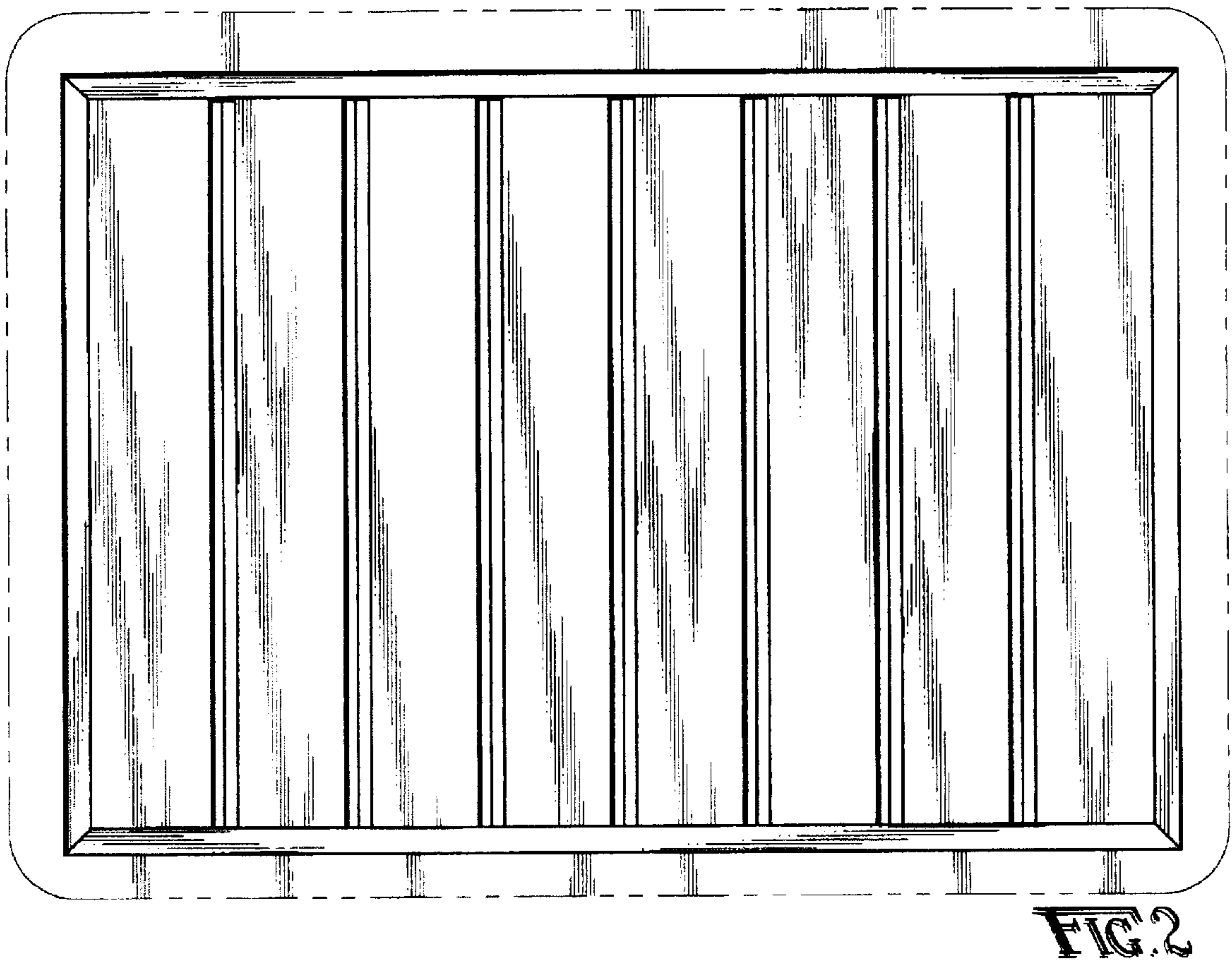
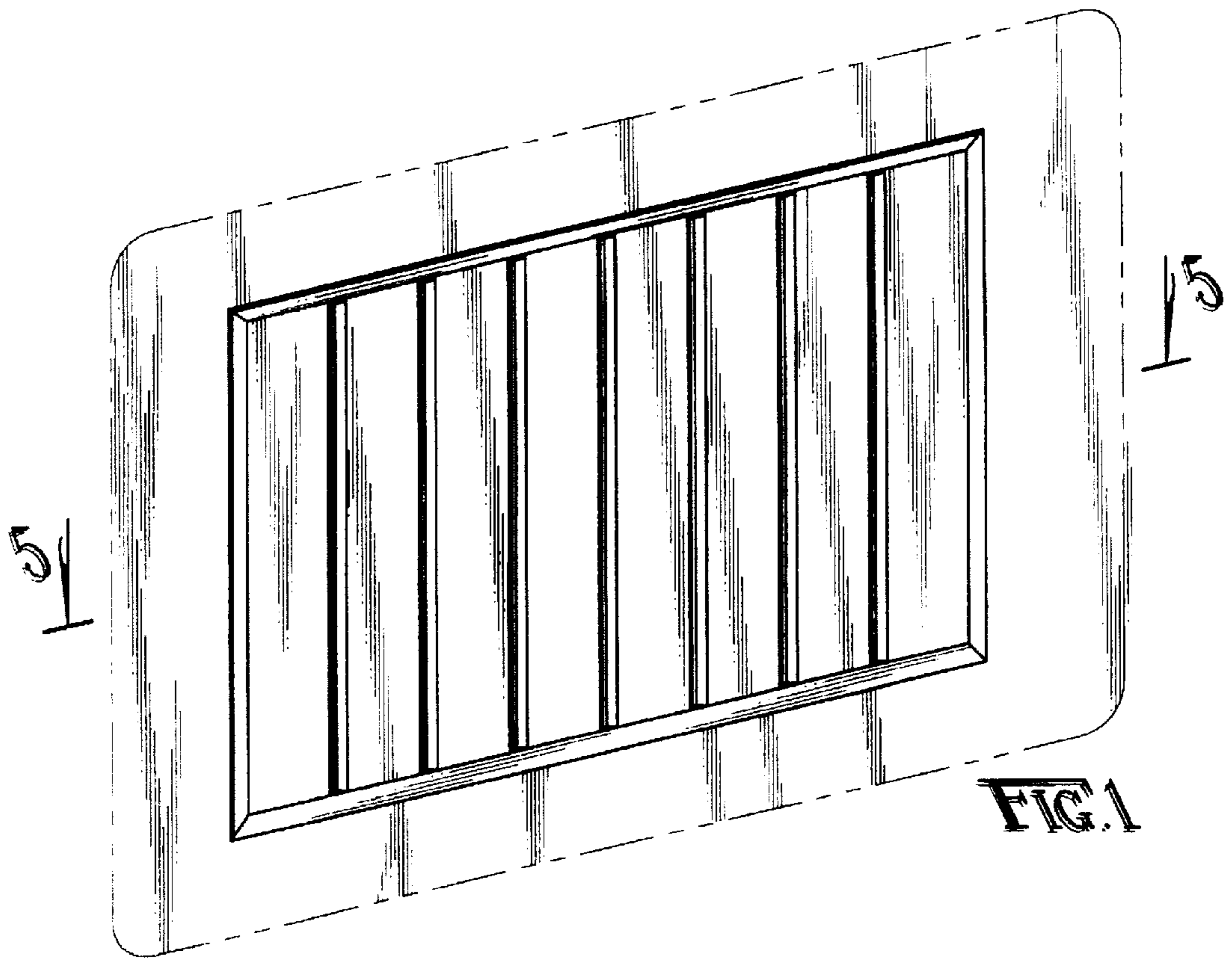
FIG. 12 is a cross-sectional view of the garage door panel of
FIG. 7 taken along line 12—12 of FIG. 7; and,

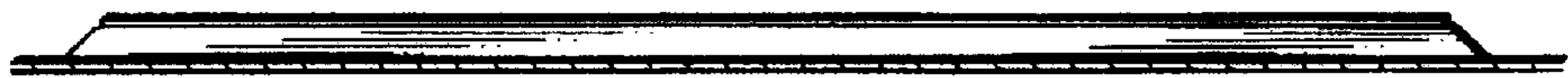
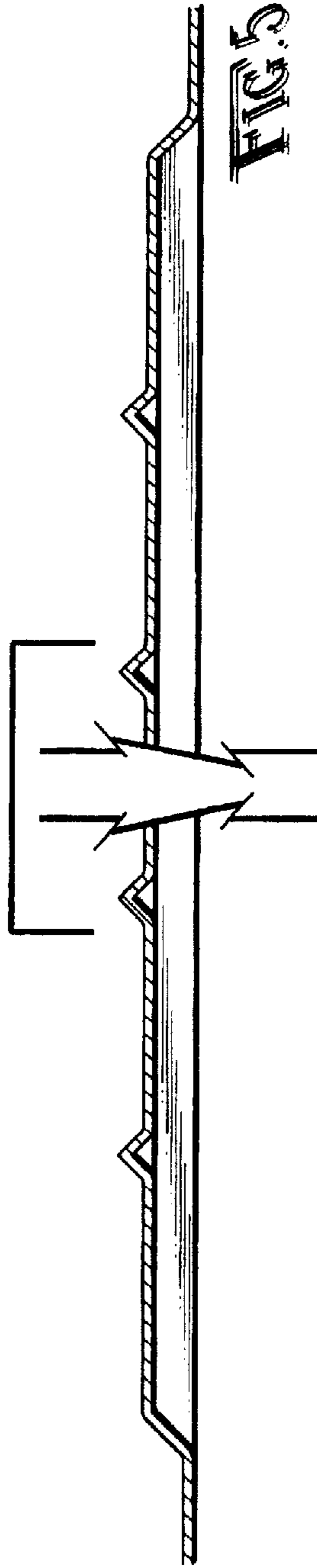
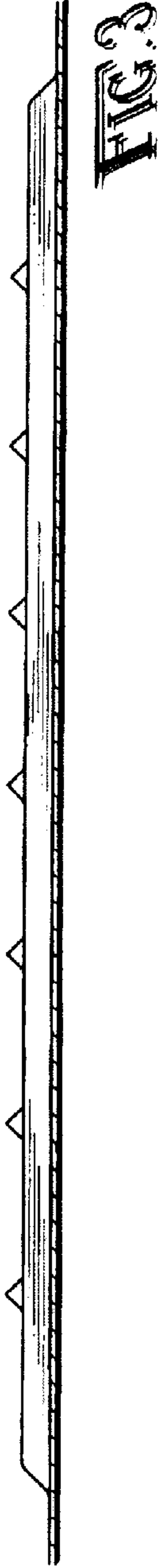
FIG. 13 is a perspective view of the garage door panel of
FIG. 7 as located in a garage door.

The broken line showing the remainder of the garage door
panel is for illustrative purposes only and forms no part of
the claimed design.

1 Claim, 6 Drawing Sheets







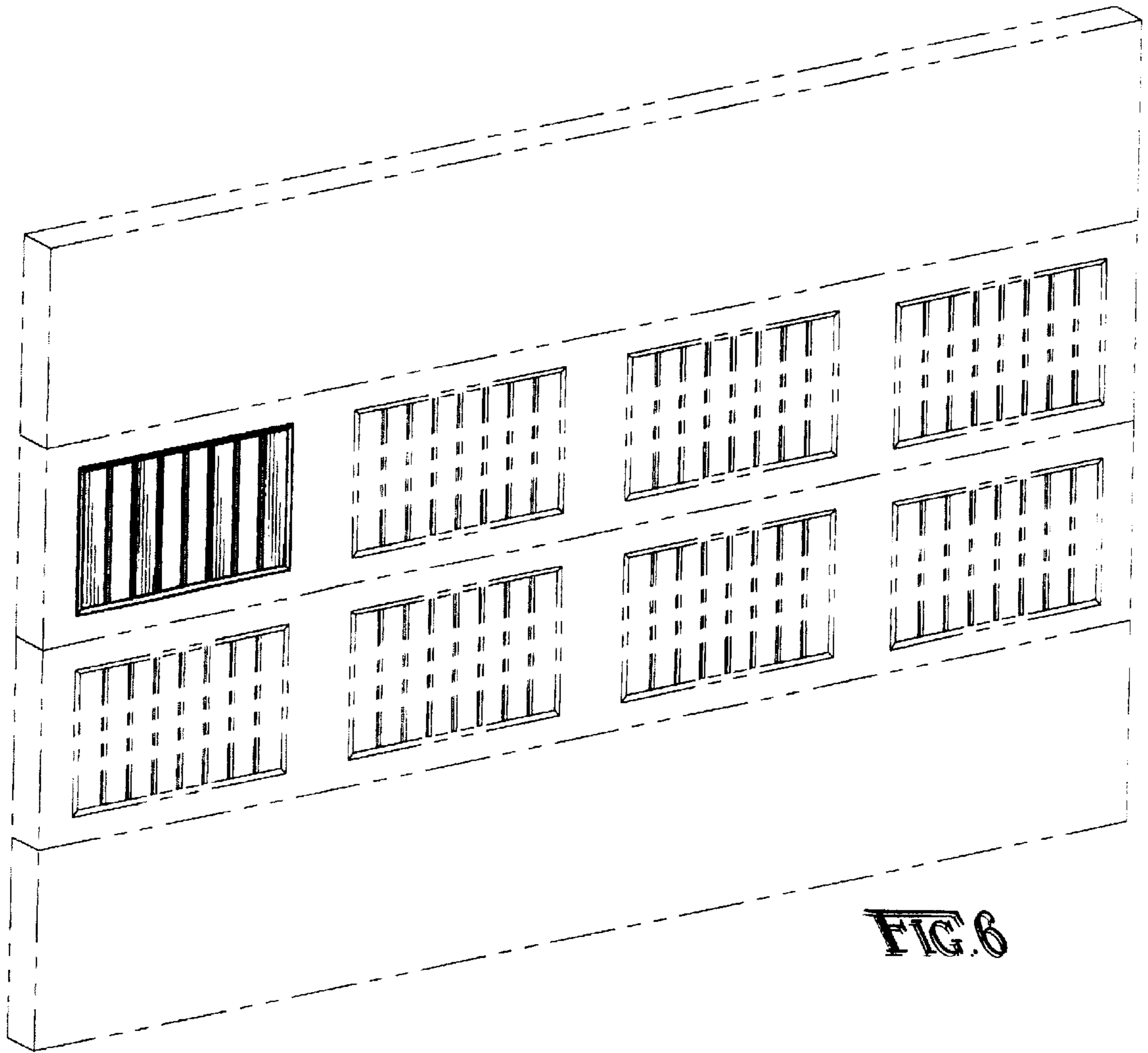
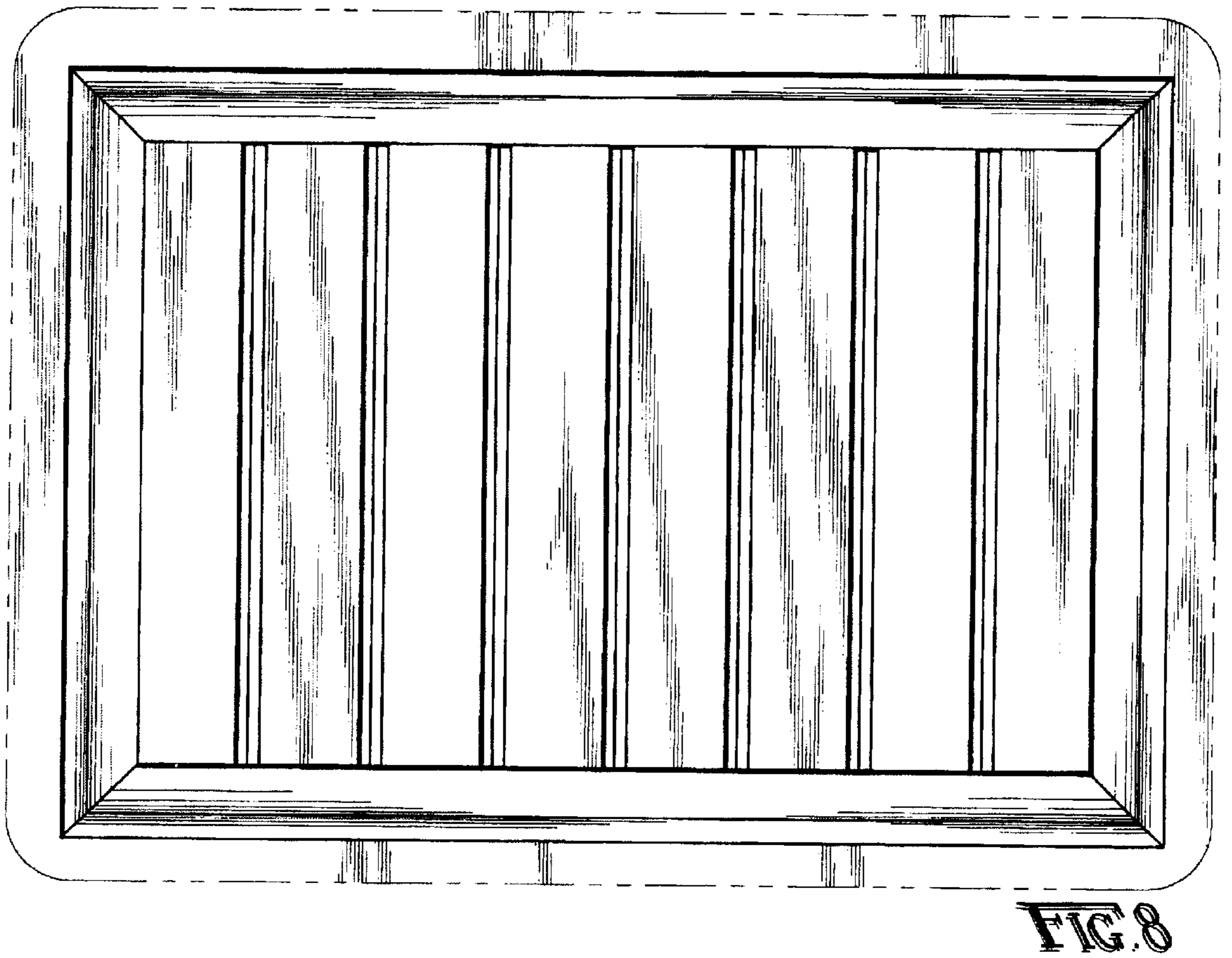
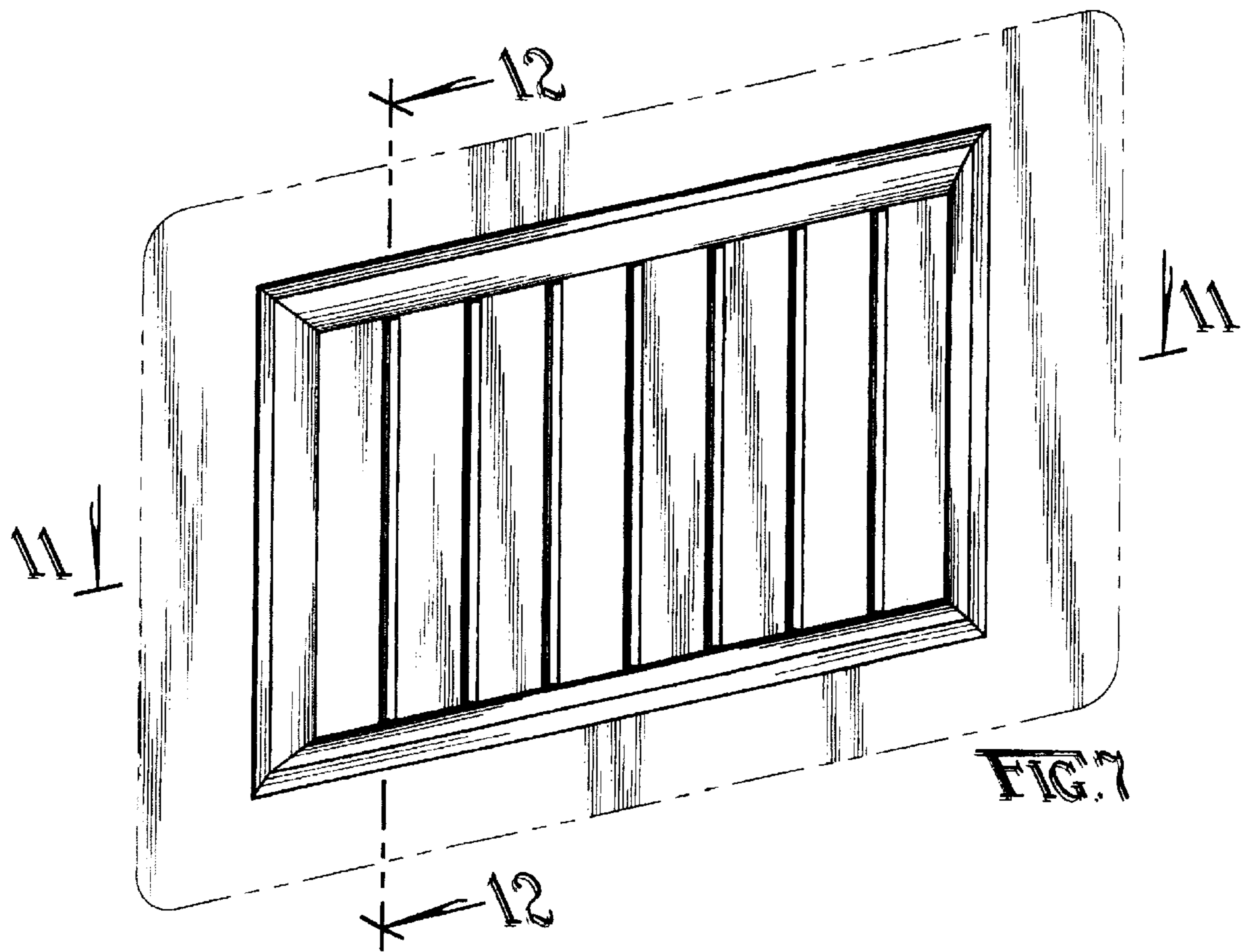
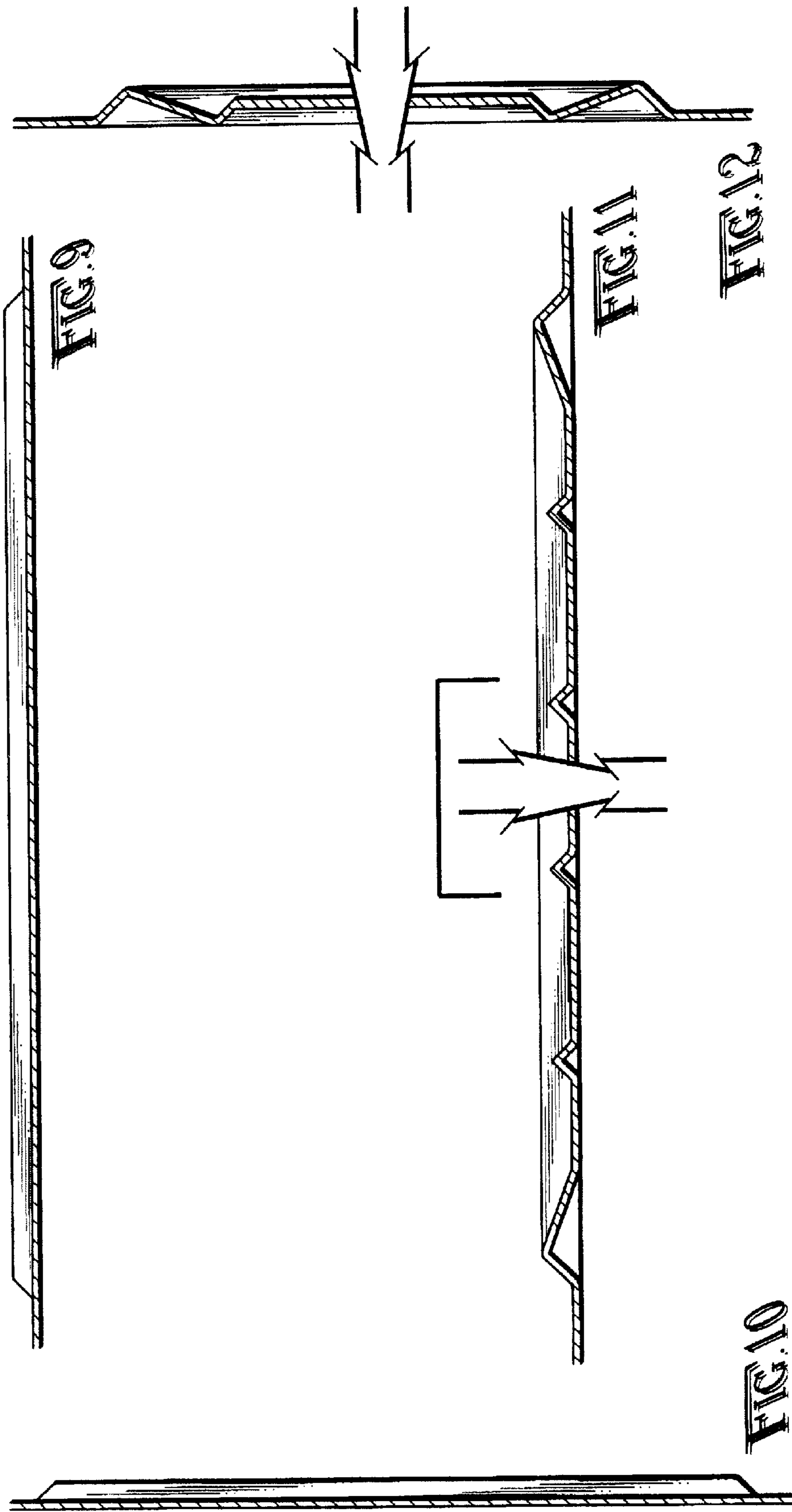


FIG. 6





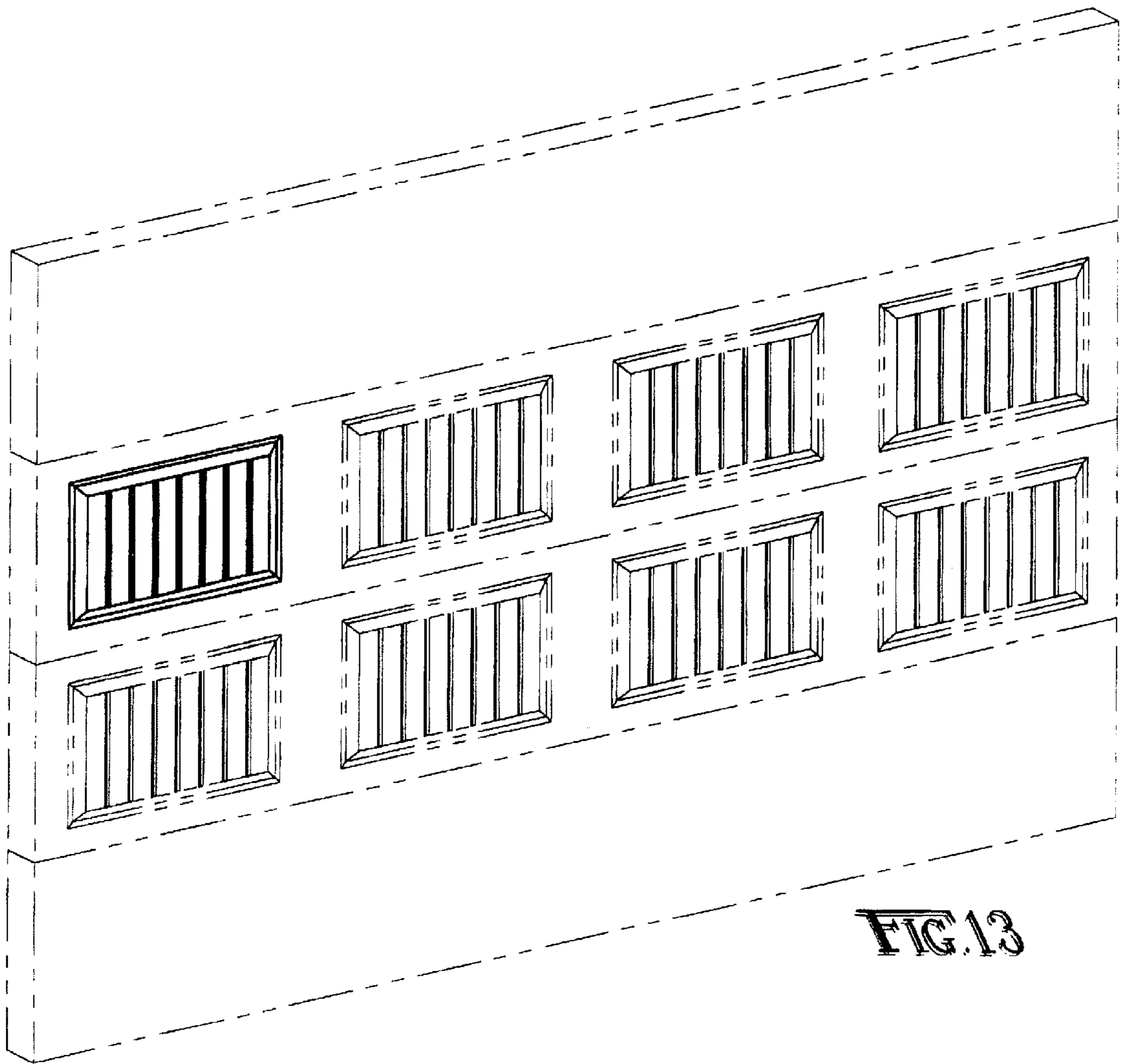


FIG. 13