



US00D487520S

(12) **United States Design Patent**
Hein et al.

(10) **Patent No.:** **US D487,520 S**

(45) **Date of Patent:** **** Mar. 9, 2004**

(54) **THREE WAY; 2-90° OUTSIDE, 1-90° INSIDE, BULLNOSE CORNER**

WO WO 91/07276 5/1991

OTHER PUBLICATIONS

(75) Inventors: **Lewis J. Hein**, Alpine, CA (US);
Derrell J. Weldy, Campo, CA (US);
Michael D. Weldy, Campo, CA (US)

International Preliminary Examination Report for International Application No. PCT/US90/06586, Mailed on Feb. 25, 1992.

(73) Assignee: **Pla-Cor, Incorporated**, Santee, CA (US)

'American Builder' p. B7, Apr. 1957.

(**) Term: **14 Years**

'Bead and Trim, Edge-Wise', Mark Johnson, pp. 36, 38 & 40, Walls & Ceilings, May 2000.

(21) Appl. No.: **29/169,848**

Unimast Incorporated advertisement on p. 29, Walls & Ceilings, Jun. 1994.

(22) Filed: **Oct. 25, 2002**

Amico advertisement on p. 59, Walls & Ceilings, Apr. 1993.

(51) **LOC (7) Cl.** **25-01**

A page from a molding catalogue, title and source unknown, date: not later than 1994.

(52) **U.S. Cl.** **D25/102**

2 pages from a molding catalogue, title and source unknown, date: not later than 1993.

(58) **Field of Search** D25/102; 52/287.1;
D8/354

A page from a molding catalogue, title and source unknown, date: not later than 1992.

A page from Amico catalogue, title unknown, 1994.

(List continued on next page.)

(56) **References Cited**

U.S. PATENT DOCUMENTS

168,207	A	9/1875	Atherton
1,198,133	A	9/1916	Jennings
1,250,594	A	12/1917	Knapp
1,449,745	A	3/1923	Clapp
1,988,739	A	1/1935	Jones

(List continued on next page.)

FOREIGN PATENT DOCUMENTS

AU	245619	4/1963
CA	598431	5/1960
CA	633108	12/1961
CA	858168	12/1970
CH	392025	9/1965
DE	844055	7/1952
DE	3238312	3/1984
EP	0638697	2/1995
EP	0638698	2/1995
GB	2056523	3/1981
GB	2166771	5/1986
GB	2173529	10/1986

Primary Examiner—Doris Clark

(74) *Attorney, Agent, or Firm*—Brown, Martin, Haller & McClain LLP

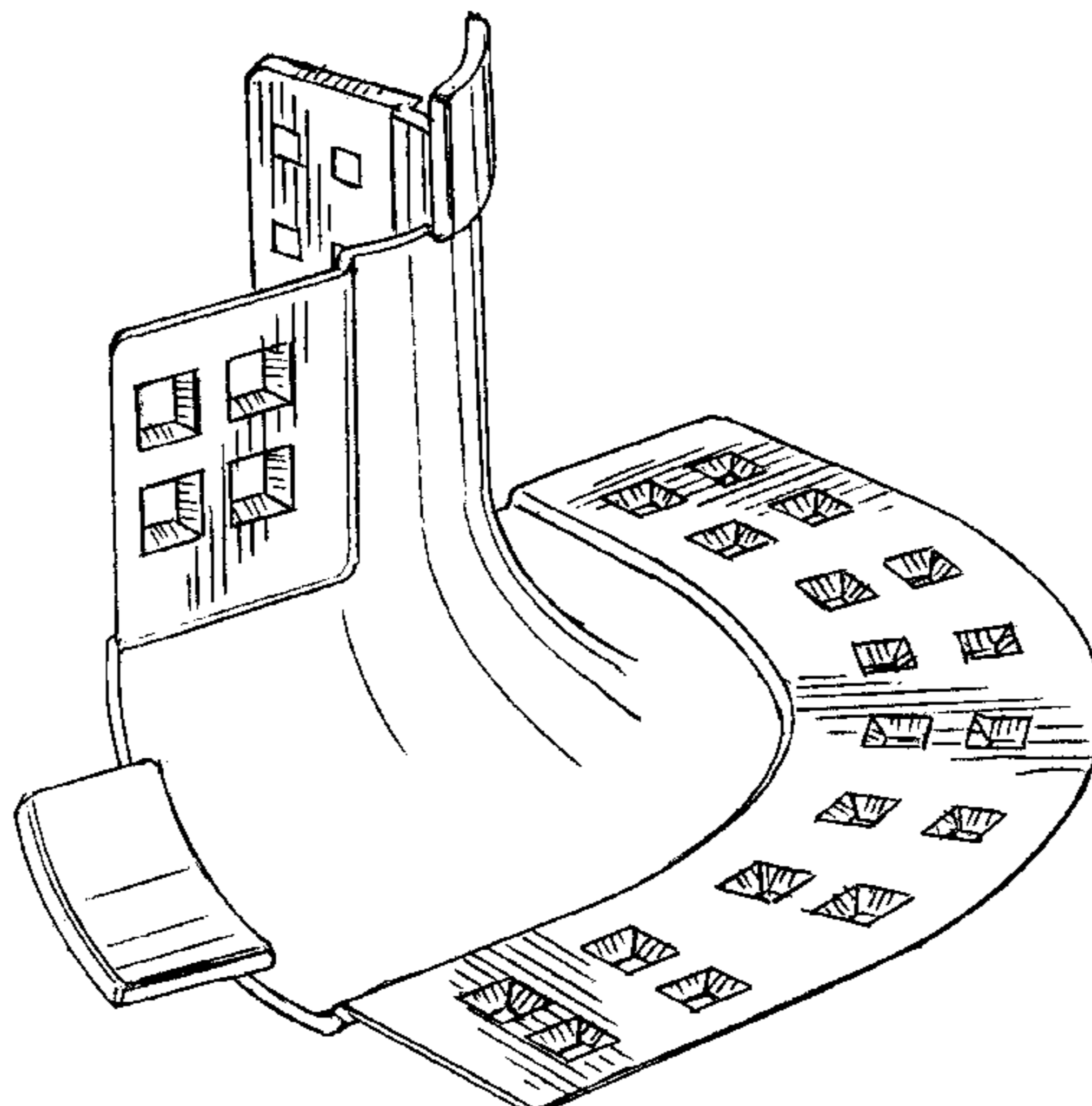
(57) **CLAIM**

The ornamental design for a “three way; 2-90° outside, 1-90° inside, bullnose corner”, as shown and described.

DESCRIPTION

FIG. 1 is a front, side, and end perspective view of a three way; 2-90° outside, 1-90° inside bullnose corner showing our new design, the opposite end is identical; FIG. 2 is a front perspective view thereof; FIG. 3 is a rear perspective view thereof; FIG. 4 is a bottom plan view thereof; FIG. 5 is a front, end, and side perspective view showing a second embodiment of our new design; and, FIG. 6 is a top plan view showing a third embodiment of our new design.

1 Claim, 3 Drawing Sheets



U.S. PATENT DOCUMENTS

2,090,588	A	8/1937	Witsell
2,114,044	A	4/1938	Bonnell
2,121,213	A	6/1938	Small
2,190,811	A	2/1940	Van Zeeland
2,274,662	A	3/1942	Briggs et al.
2,311,345	A	2/1943	Mitchell
2,593,859	A	4/1952	Dunlap
2,821,754	A	2/1958	Hillson
2,904,992	A	9/1959	Cruser
2,921,352	A	1/1960	Pfeifle
2,957,192	A	10/1960	Faughnder
3,008,273	A	11/1961	Widin
3,201,908	A	8/1965	Arnold
3,203,517	A	8/1965	Stein
3,255,561	A	6/1966	Cable
3,398,494	A	8/1968	Larson
3,559,356	A	2/1971	Koral
3,608,944	A	9/1971	Turner
3,712,003	A	1/1973	Hallock et al.
3,744,079	A	7/1973	Krause
3,989,397	A	11/1976	Baker
4,012,878	A	3/1977	Ellingson
4,074,478	A	2/1978	Rutherford
4,150,517	A	4/1979	Warner, Sr.
4,198,455	A	4/1980	Spiro et al.
4,288,016	A	9/1981	Failla et al.
4,313,991	A	2/1982	Lamb
4,315,390	A	2/1982	Schaafsma
4,430,833	A	2/1984	Balzer et al.
4,495,668	A	1/1985	Adams
4,569,171	A	2/1986	Kuhr et al.
4,654,919	A	4/1987	Lieberman
4,722,153	A	2/1988	Hardy
D299,273	S	1/1989	Pittman, Jr.
4,852,318	A	8/1989	Anderson
4,863,774	A	9/1989	Tucker
4,876,837	A	10/1989	Kelly et al.
4,912,899	A	4/1990	Plasker et al.
5,018,956	A	5/1991	Lemaster
5,045,374	A	9/1991	Tucker
5,048,247	A	9/1991	Weldy
5,086,598	A	2/1992	Weldy
5,138,810	A	8/1992	Kartler
RE34,547	E	2/1994	Weldy
D351,988	S	11/1994	Gotcher

5,440,776	A	8/1995	Kartler
5,442,886	A	8/1995	Iacobelli
5,505,032	A	4/1996	Wasserman et al.
5,531,050	A	7/1996	Stibolt et al.
5,531,051	A	7/1996	Chenier, Jr. et al.
5,544,463	A	8/1996	Bergin
5,644,892	A	7/1997	Smythe, Jr.
5,647,182	A	7/1997	Rutherford
5,699,638	A	12/1997	Maylon
D398,405	S	* 9/1998	Beard, Jr. D25/102
D402,879	S	* 12/1998	Beard, Jr. D8/354
6,216,407	B1	* 4/2001	LeBlanc 52/287.1

OTHER PUBLICATIONS

8 pages from Beadex Manufacturing Co. catalogue, title unknown, date unknown.
 Flannery, Inc. catalogue 'New from Flannery—Flannery, PVC, Vinal, Bullnose', 1990.
 Pittcon industries, Inc. catalogue, 'Pittcon Industries, Inc.—Shaping the Future', 1986.
 Pla-Cor Corporation Catalogue, 'PLA-COR 200—The Professional's Choice—10th Anniversary PLA-COR® Plastic Corner Bead Systems', 1999.
 Pla-Cor, Incorporated catalogue, 'PLA-COR® Plastic Corner Bead System—The proven, patented Alternative to Metal & PVC Corner Bead Products', 1996.
 Pla-Cor, Inc. catalogue, 'PLA-COR® Plastic Corner Bead System—Your cost-Efficient, Rust-Proof Resilient & Durable Alternative', 1995.
 Pla-Cor, Inc. catalogue, 'PLA-COR™ Plastic Corner Bead System', 1992.
 Trim-Tex, Inc. catalogue, 'TRIM-TEX INC.—Drywall Products, 2002–2003 Catalogue'.
 Trim-Tex, Inc. catalogue, 'TRIM-TEX INC.—Rigid Vinyl Drywall Accessories, 2000–2001 Catalogue'.
 Trim-Tex, Inc. leaflet, 'Another New Product Innovation From TRIM-TEX—Bulladapter for Baseboard, ¾" & 1½" Radius Bullnose', date: not later than 1995.
 Trim-Tex, Inc. catalogue, 'TRIM-TEX INC.®—Manufacture and Extruder of Rigid Vinyl Drywall Accessories for 25 years, Apr. 1993'.

* cited by examiner

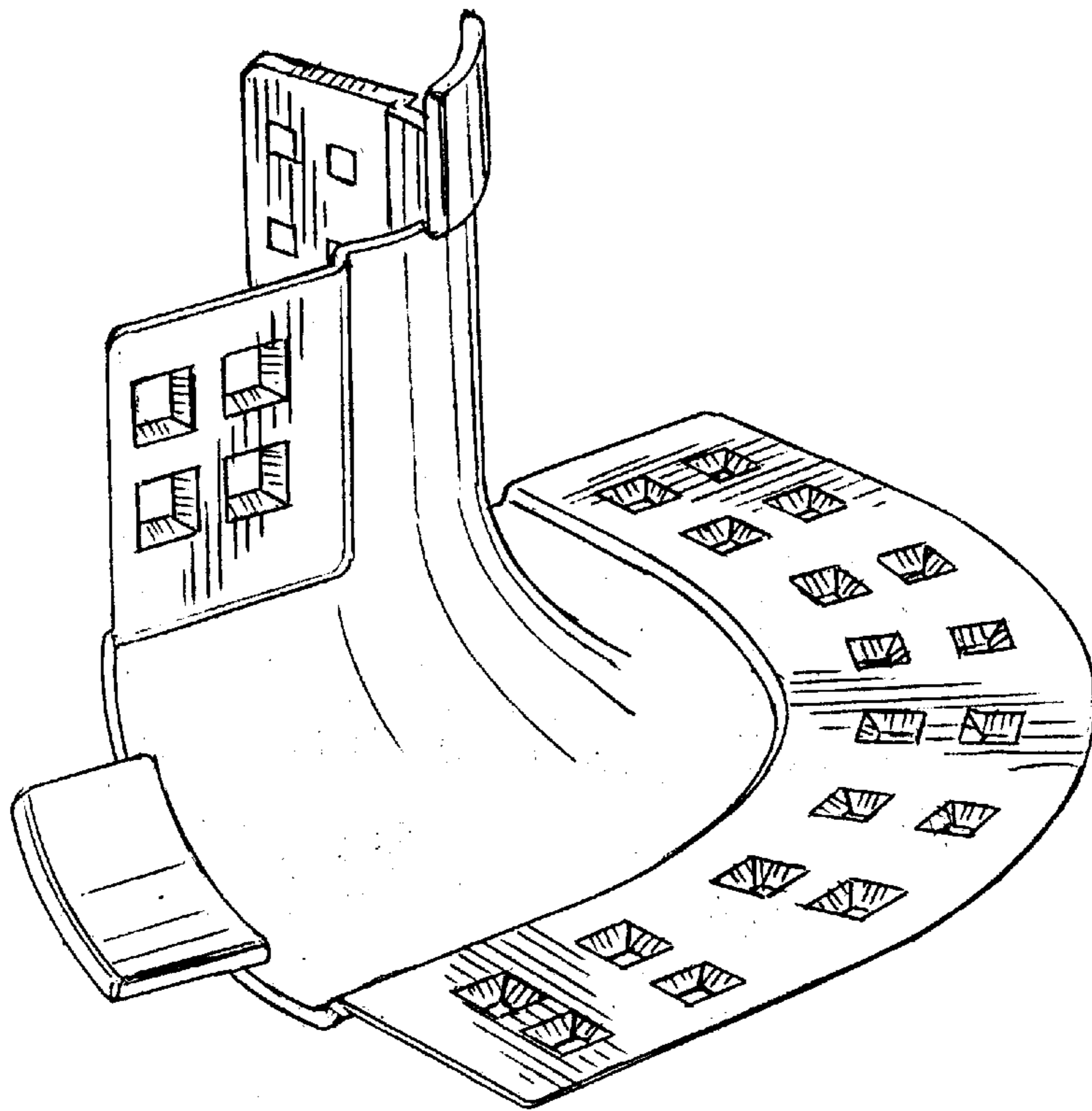


FIG. 1

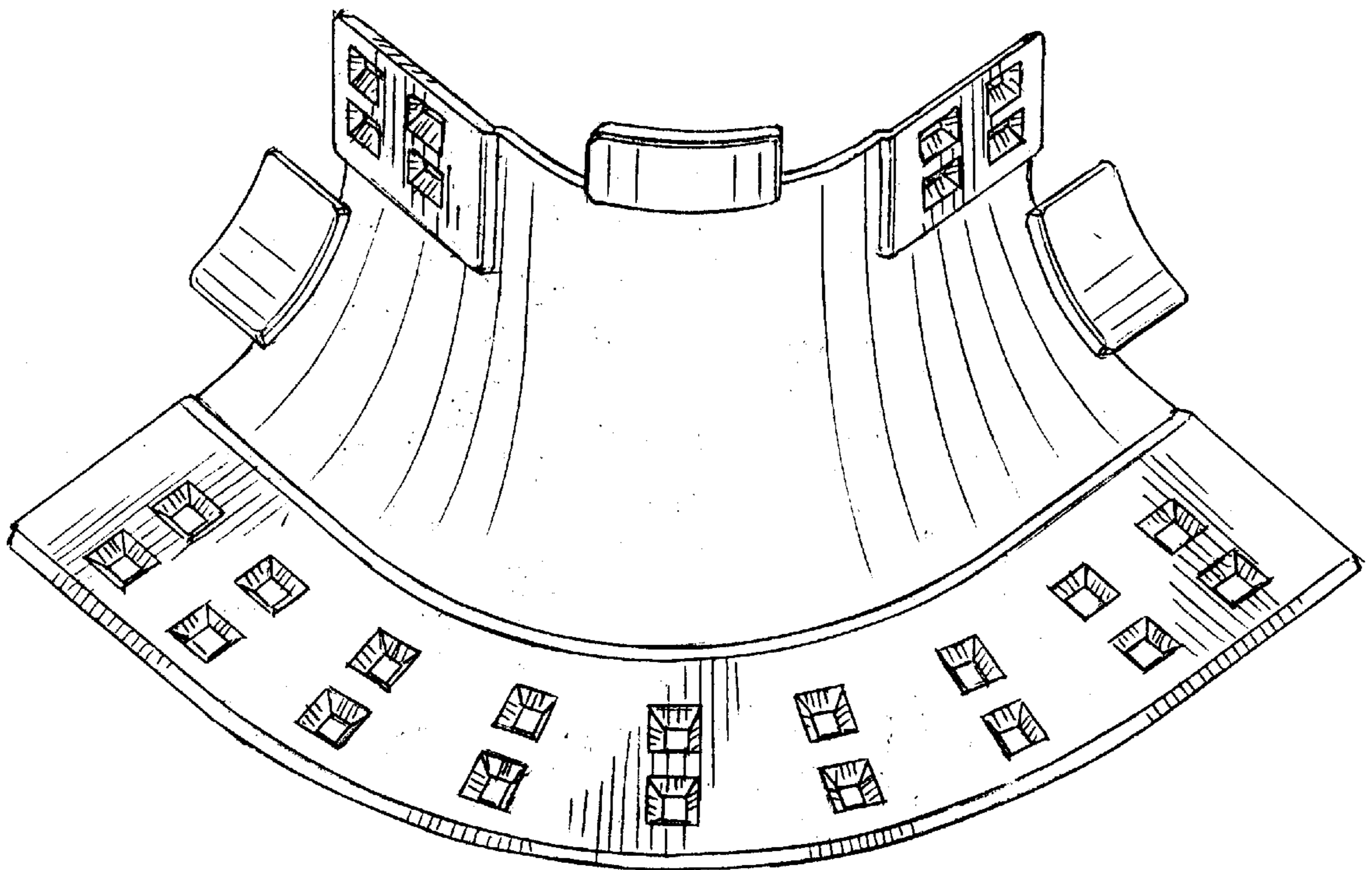


FIG. 2

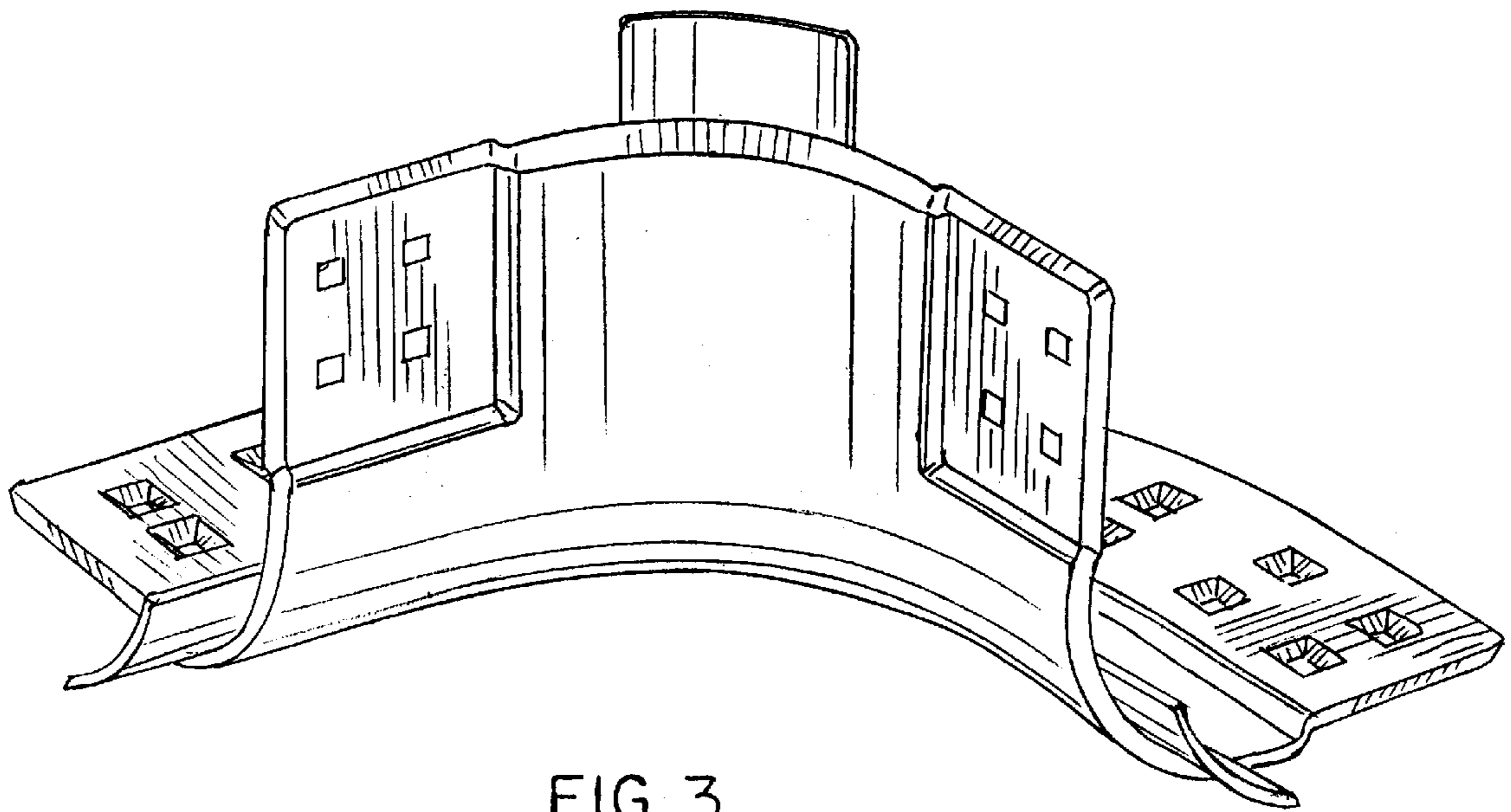


FIG. 3

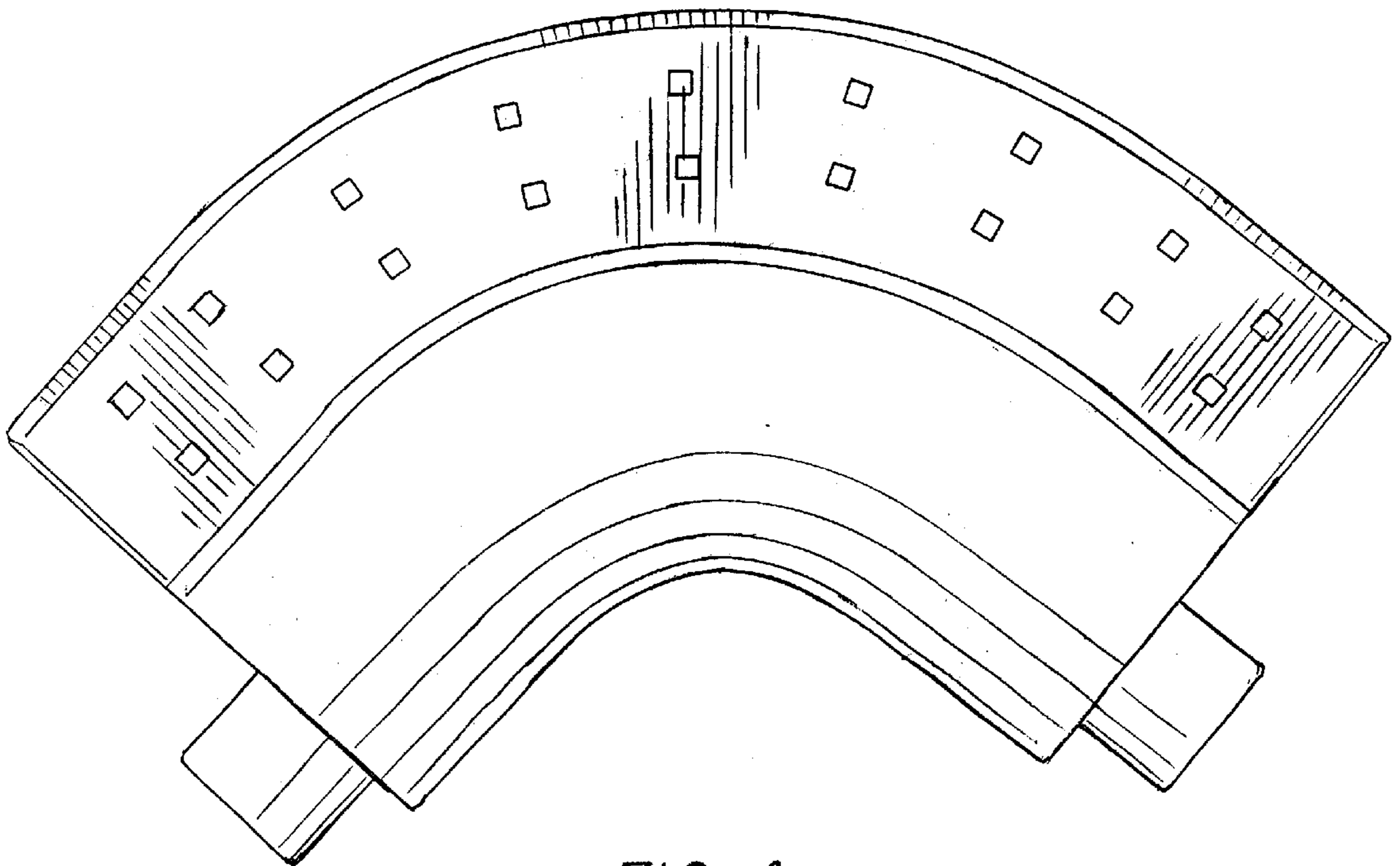


FIG. 4

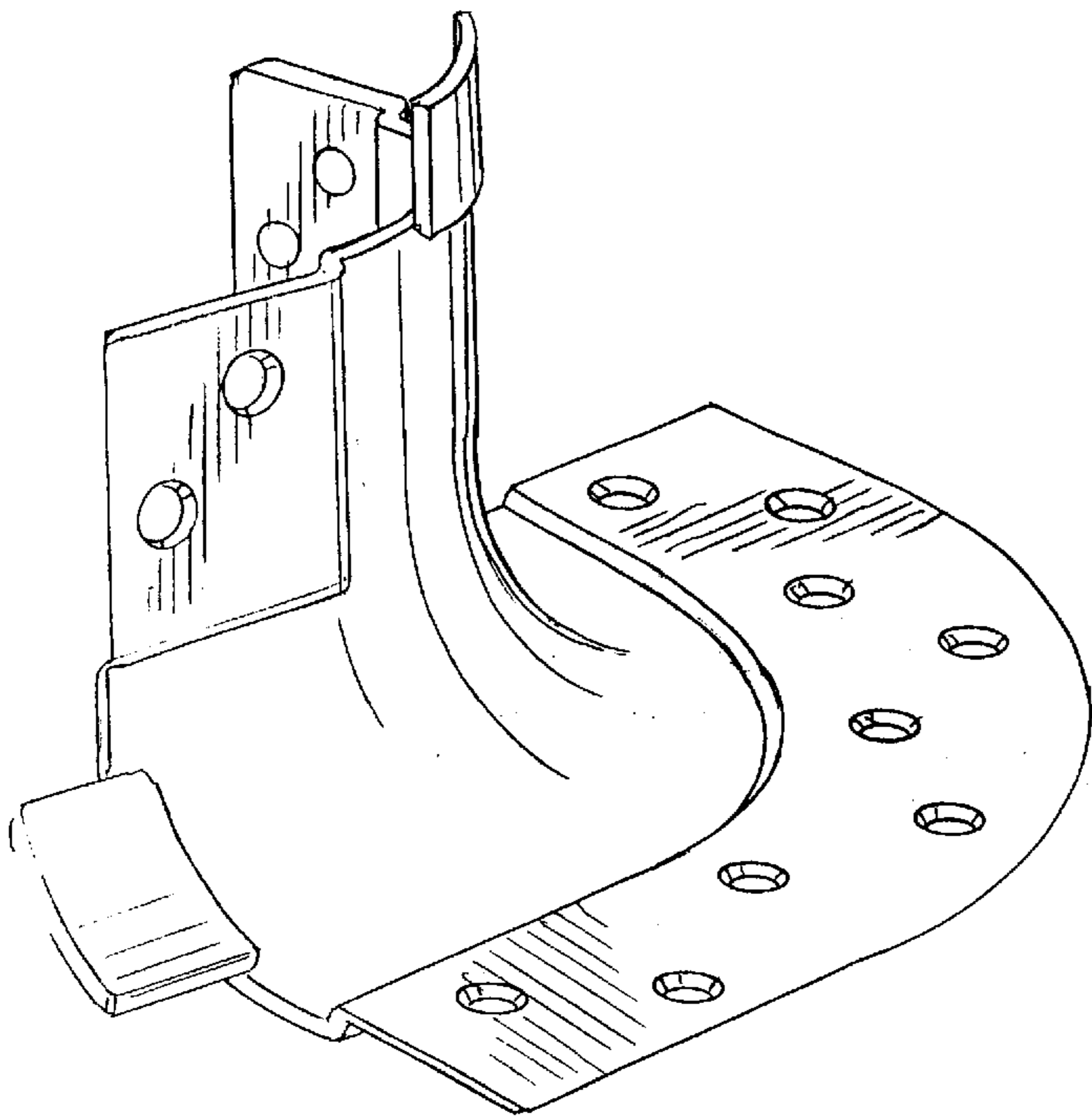


FIG. 5

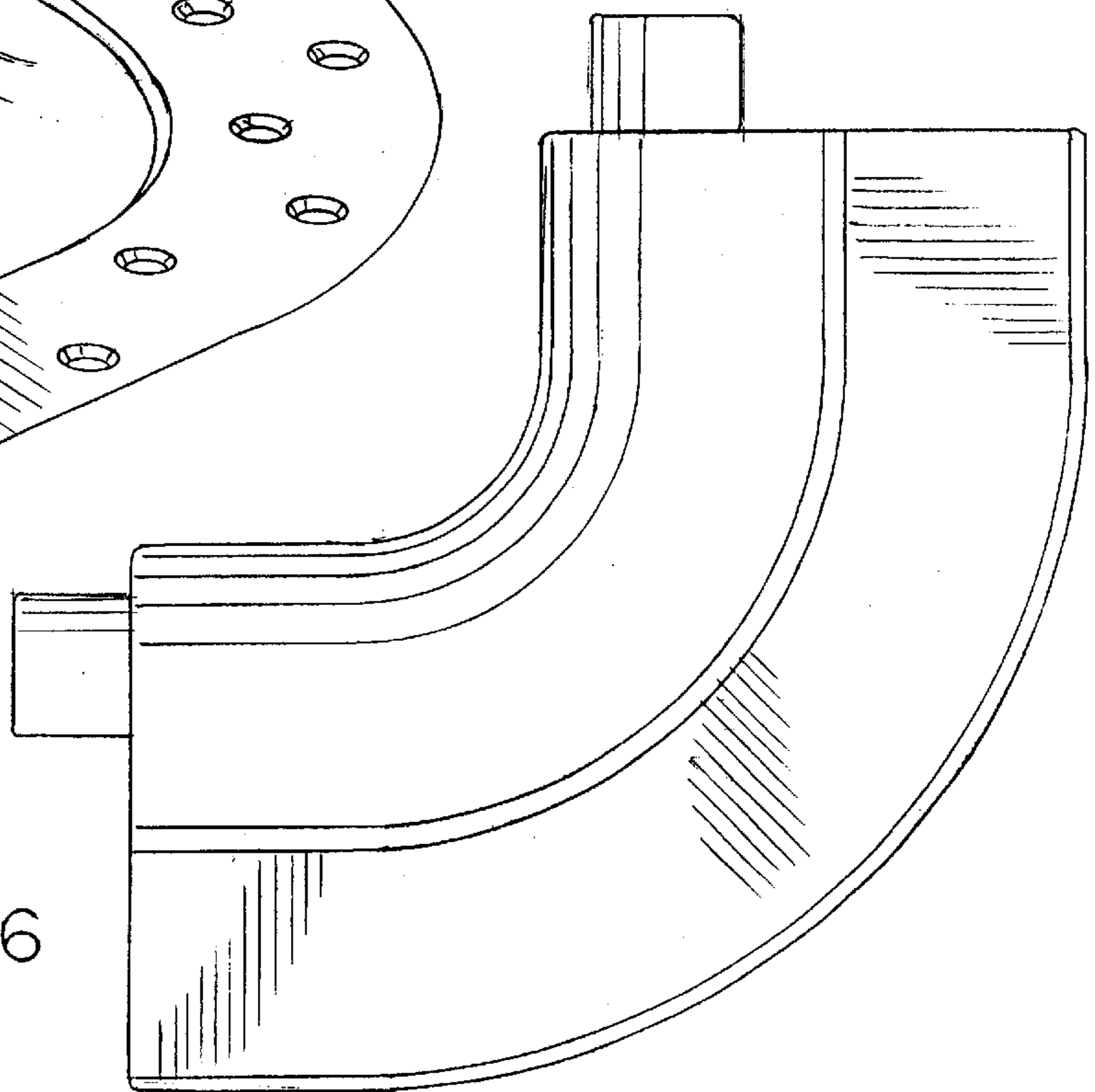


FIG. 6