



US00D487518S

(12) **United States Design Patent**
Ganz et al.

(10) **Patent No.:** **US D487,518 S**
(45) **Date of Patent:** **** Mar. 9, 2004**

(54) **MICRO-WELL PLATE STORAGE TRAY**

(75) **Inventors:** **Brian L. Ganz**, Carlsbad, CA (US);
John Andrew Moulds, Encinitas, CA (US);
Christopher T. Brovold, Carlsbad, CA (US)

(73) **Assignee:** **RoboDesign International, Inc.**, Carlsbad, CA (US)

(**) **Term:** **14 Years**

(21) **Appl. No.:** **29/154,542**

(22) **Filed:** **Jan. 25, 2002**

(51) **LOC (7) Cl.** **24-02**

(52) **U.S. Cl.** **D24/227; D24/229**

(58) **Field of Search** **D24/226, 225, D24/227, 229; 422/104, 63, 65; 435/288.4, 288.3, 288.1, 288.6, 305.1, 305.2, 307.1; 700/245; 356/244, 246**

(56) **References Cited**

U.S. PATENT DOCUMENTS

D300,245 S * 3/1989 Navarro et al. D24/229

4,919,894 A * 4/1990 Daniel 422/104
D416,330 S * 11/1999 Brown D24/229
6,037,141 A * 3/2000 Banes 435/305.1
6,353,774 B1 * 3/2002 Goldenberg et al. 700/245

* cited by examiner

Primary Examiner—Ian Simmons

(74) *Attorney, Agent, or Firm*—John R. Ross; John R. Ross, III

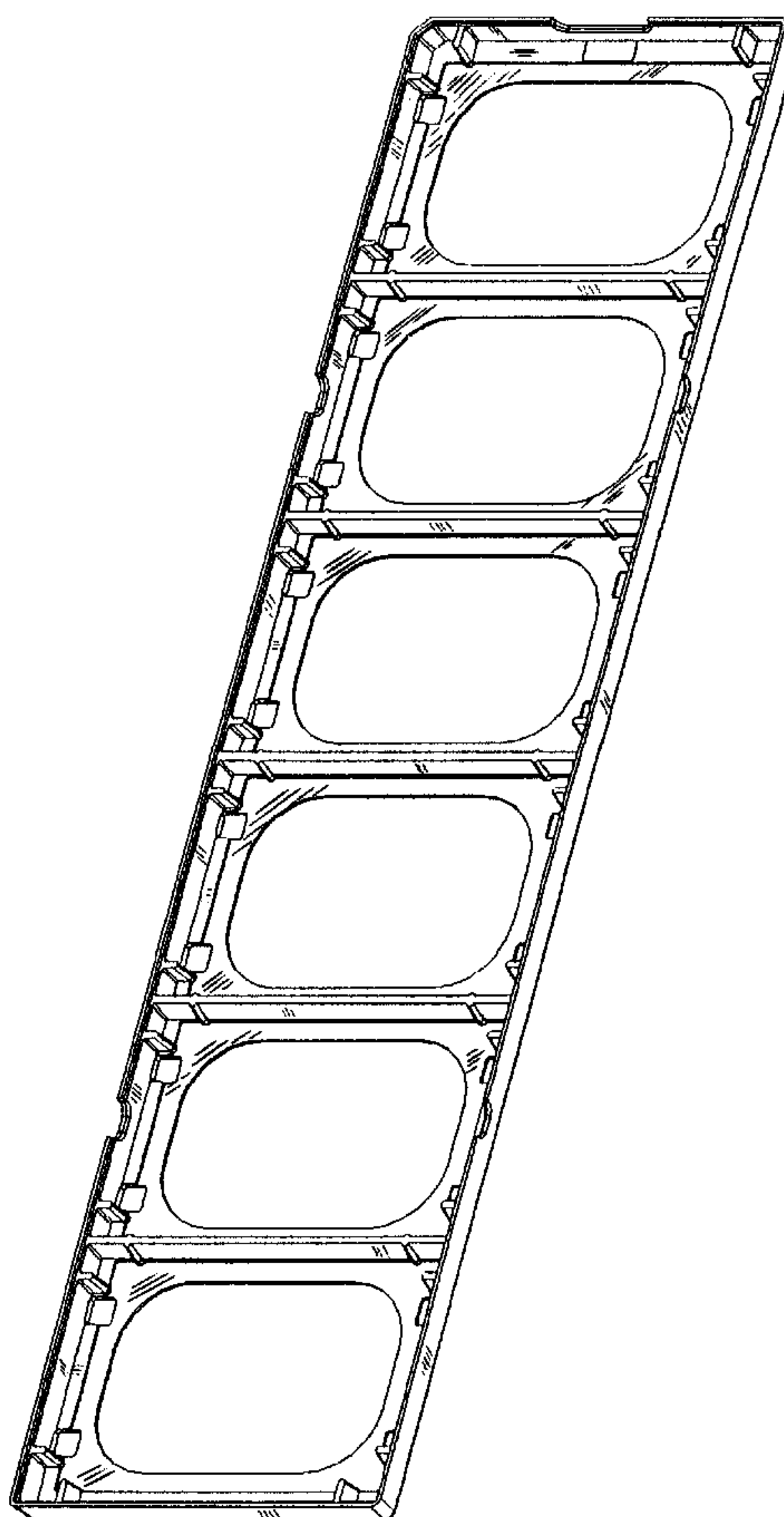
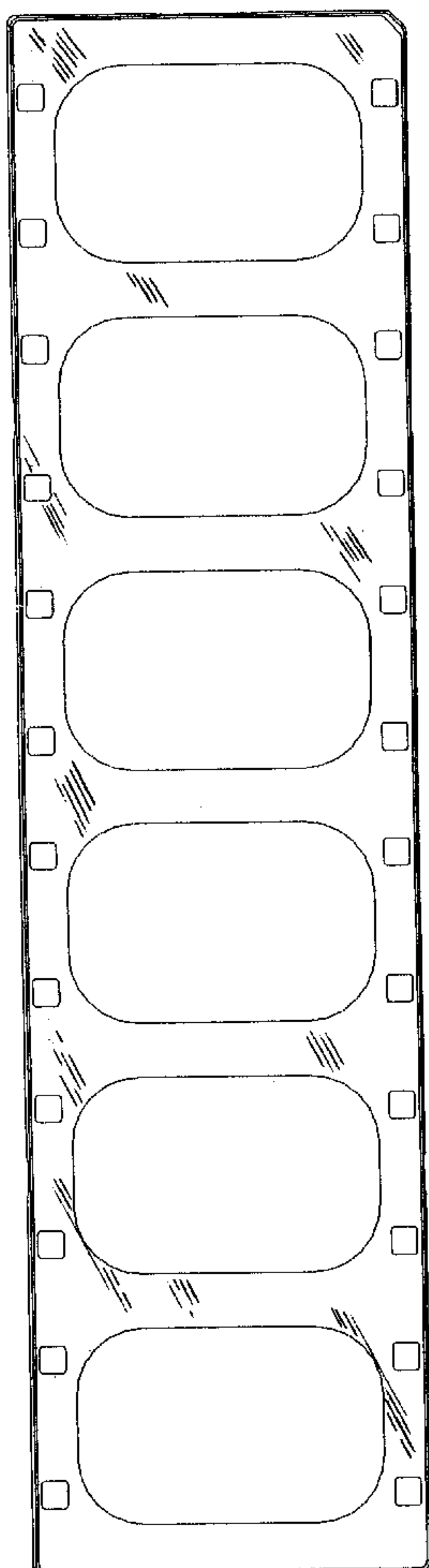
(57) **CLAIM**

The ornamental design for a micro-well plate storage tray, as shown and described.

DESCRIPTION

FIG. 1 is a front plan view of the micro-well plate storage tray;
FIG. 2 is a top plan view thereof;
FIG. 3 is a bottom plan view thereof;
FIG. 4 is a left side plan view thereof;
FIG. 5 is a right side plan view thereof;
FIG. 6 is a rear plan view thereof; and,
FIG. 7 is a perspective view thereof.

1 Claim, 4 Drawing Sheets



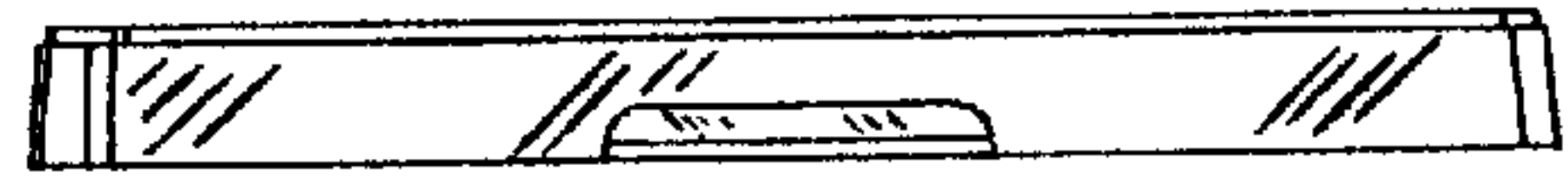
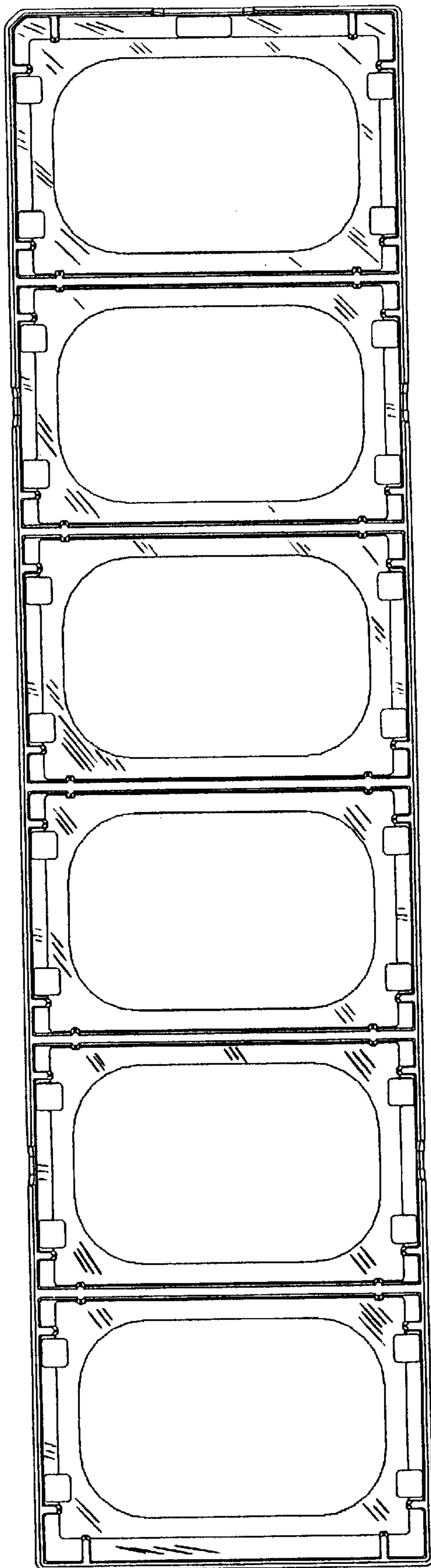


FIG. 2



FIG. 3

FIG. 1



FIG. 4

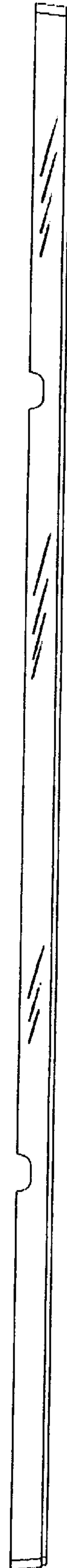


FIG. 5

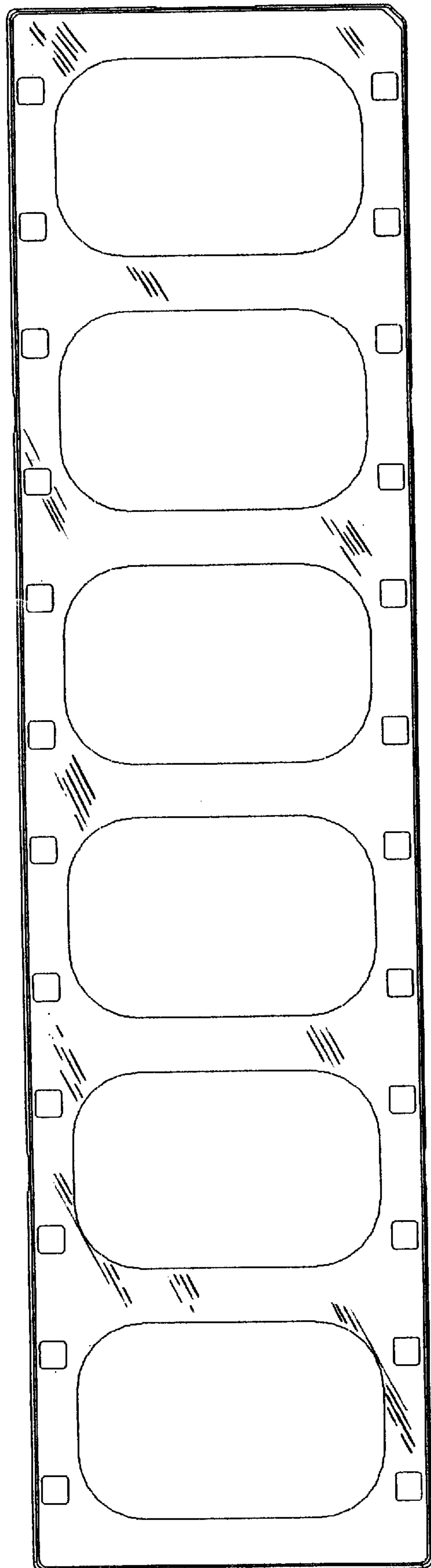


FIG. 6

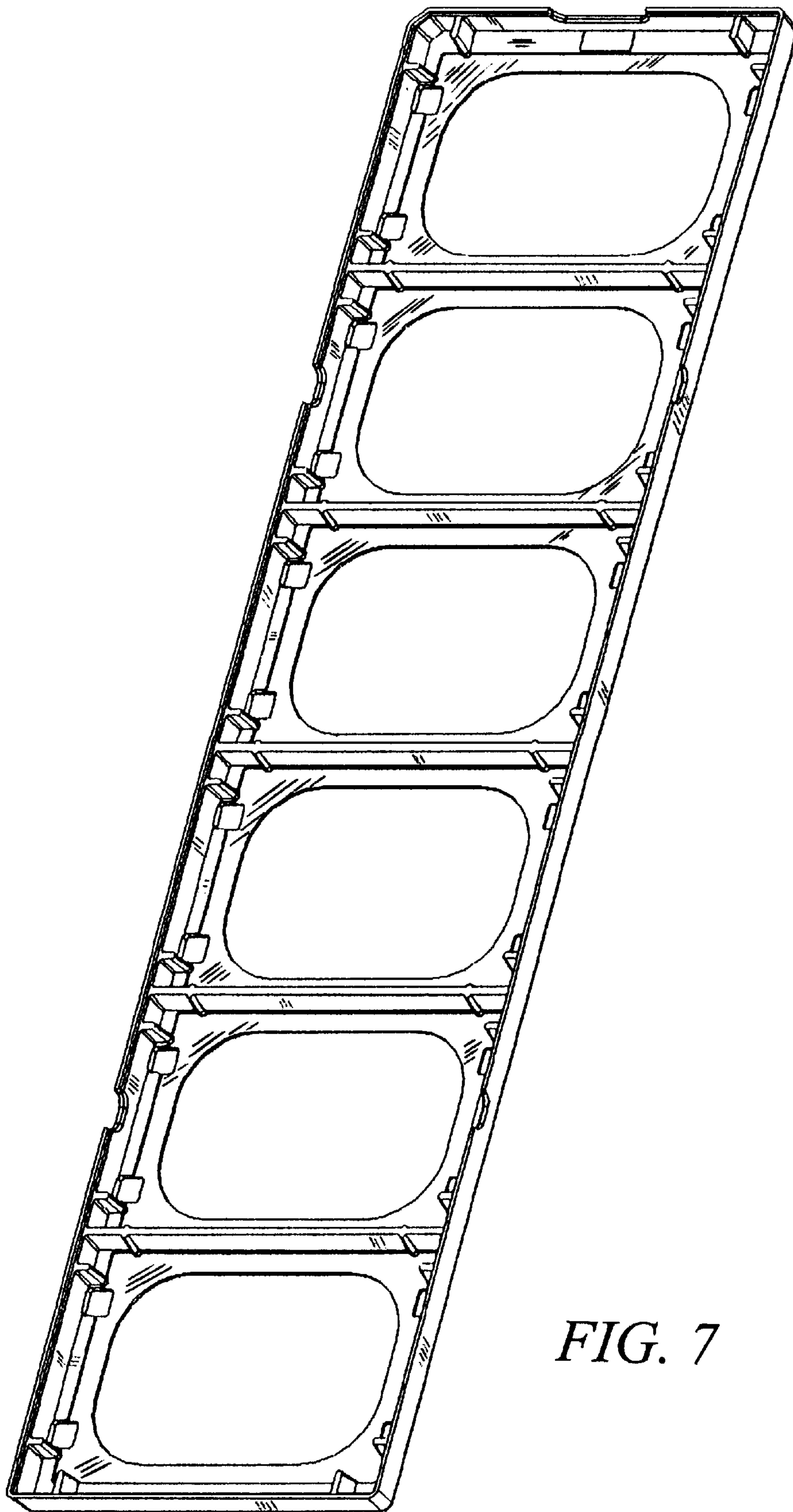


FIG. 7