



US00D487514S

(12) **United States Design Patent**  
**Lie**

(10) **Patent No.:** **US D487,514 S**

(45) **Date of Patent:** **\*\* Mar. 9, 2004**

(54) **FOOT MASSAGER**

(75) Inventor: **Sen-Nen Lie, Kwun Tong (HK)**

(73) Assignee: **Kolvin Industries Limited, Kowloon (HK)**

(\*\*) Term: **14 Years**

(21) Appl. No.: **29/179,511**

(22) Filed: **Apr. 10, 2003**

(30) **Foreign Application Priority Data**

Oct. 10, 2002 (HK) ..... 0211604

(51) **LOC (7) Cl.** ..... **28-03**

(52) **U.S. Cl.** ..... **D24/213**

(58) **Field of Search** ..... D24/200, 213;  
601/154, 156, 157, 158, 160

(56) **References Cited**

**U.S. PATENT DOCUMENTS**

- 4,184,488 A \* 1/1980 Bielich ..... 601/157
- 4,497,313 A \* 2/1985 Kurosawa ..... 601/16
- 4,620,529 A \* 11/1986 Kurosawa ..... 601/157
- D364,466 S \* 11/1995 Assmann et al. .... D24/213
- D405,535 S \* 2/1999 Schulz ..... D24/213
- D419,682 S \* 1/2000 Lie ..... D24/213

D453,836 S \* 2/2002 Gillette et al. .... D24/213

D455,498 S \* 4/2002 Gillette et al. .... D24/213

D473,317 S \* 4/2003 Lie ..... D24/213

\* cited by examiner

*Primary Examiner*—Stella Reid

(74) *Attorney, Agent, or Firm*—Merchant & Gould P.C.

(57) **CLAIM**

The ornamental design for a foot massager, as shown and described.

**DESCRIPTION**

FIG. 1 is a front elevational view of a foot massager, showing my new design, with the cover closed.

FIG. 2 is a back elevational view thereof;

FIG. 3 is a left side elevational view thereof;

FIG. 4 is a right side elevational view thereof;

FIG. 5 is a top plan view thereof;

FIG. 6 is a top plan view thereof, with the cover opened;

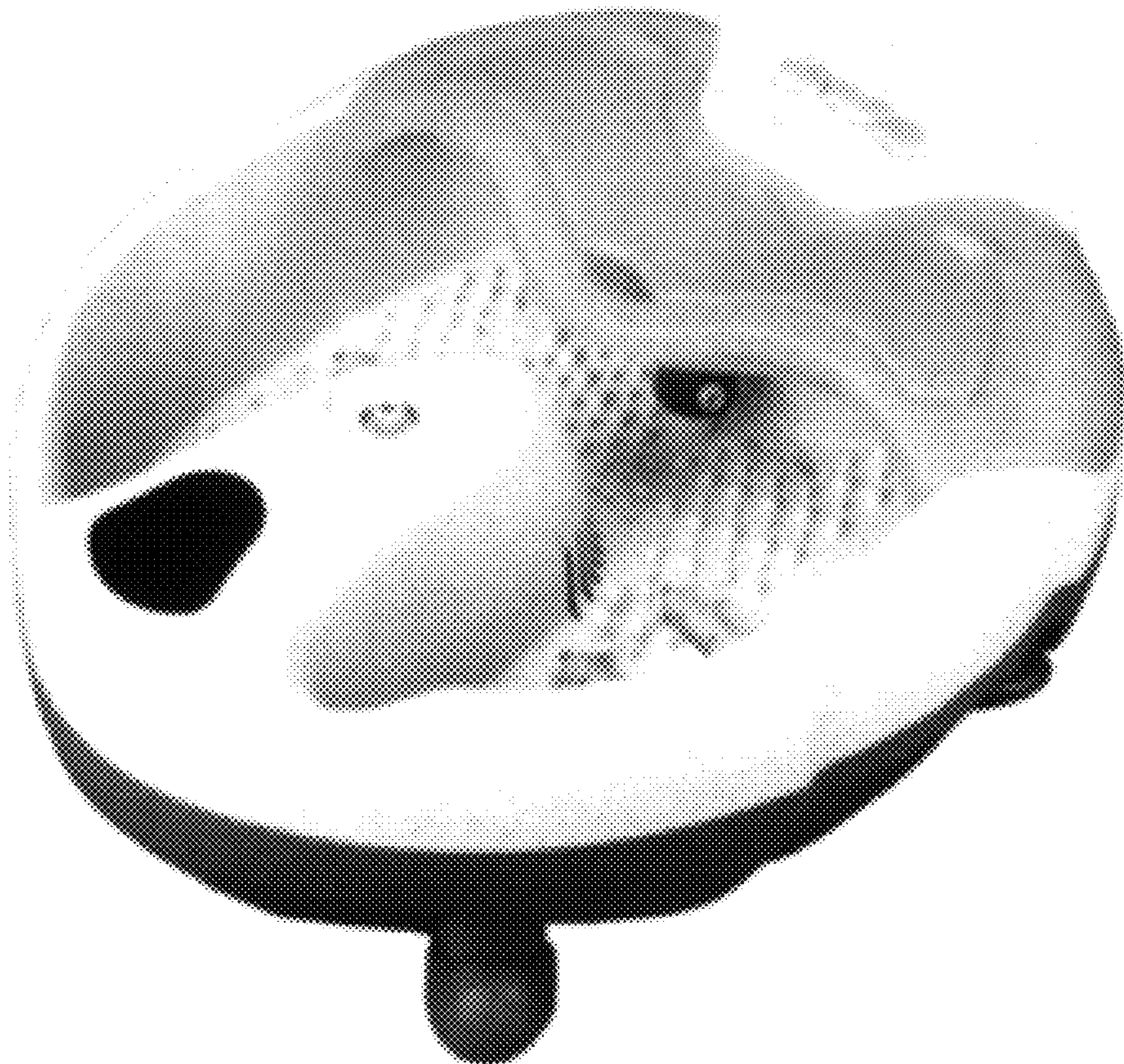
FIG. 7 is a bottom plan view thereof;

FIG. 8 is a front perspective view thereof, with the cover closed;

FIG. 9 is a rear perspective view thereof; and,

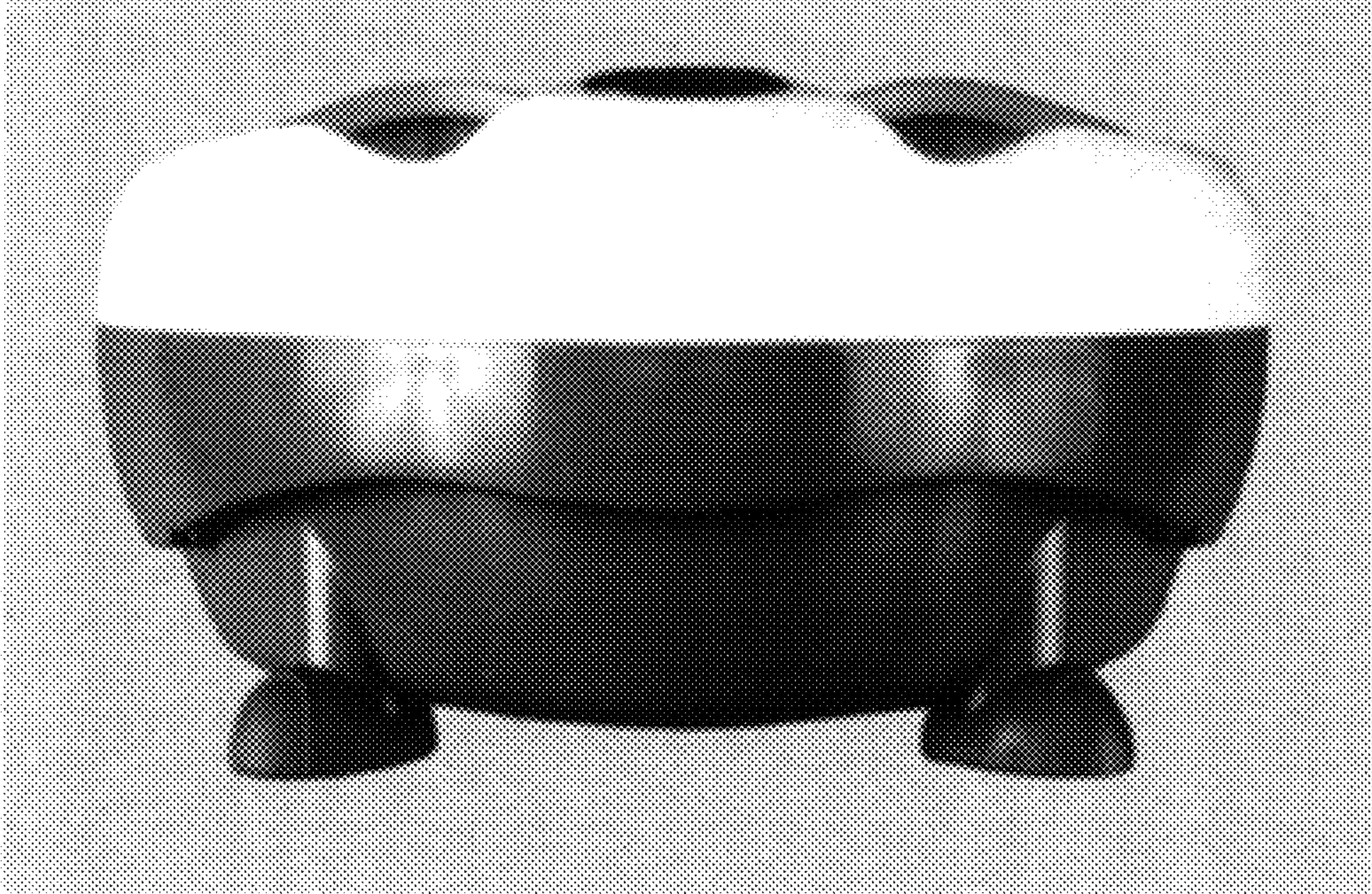
FIG. 10 is a front perspective view thereof, with the cover opened.

**1 Claim, 6 Drawing Sheets**

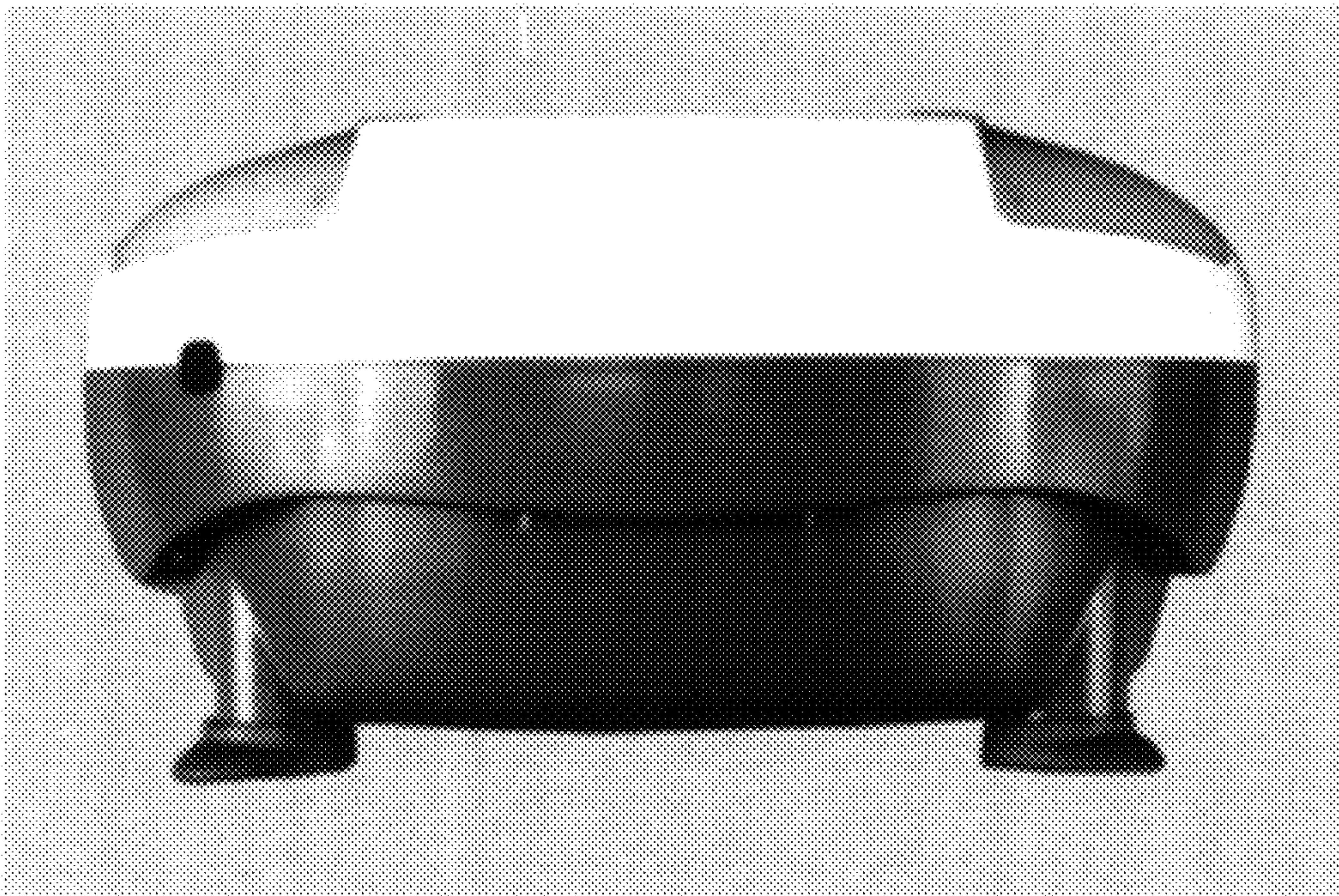




**FIG. 1**

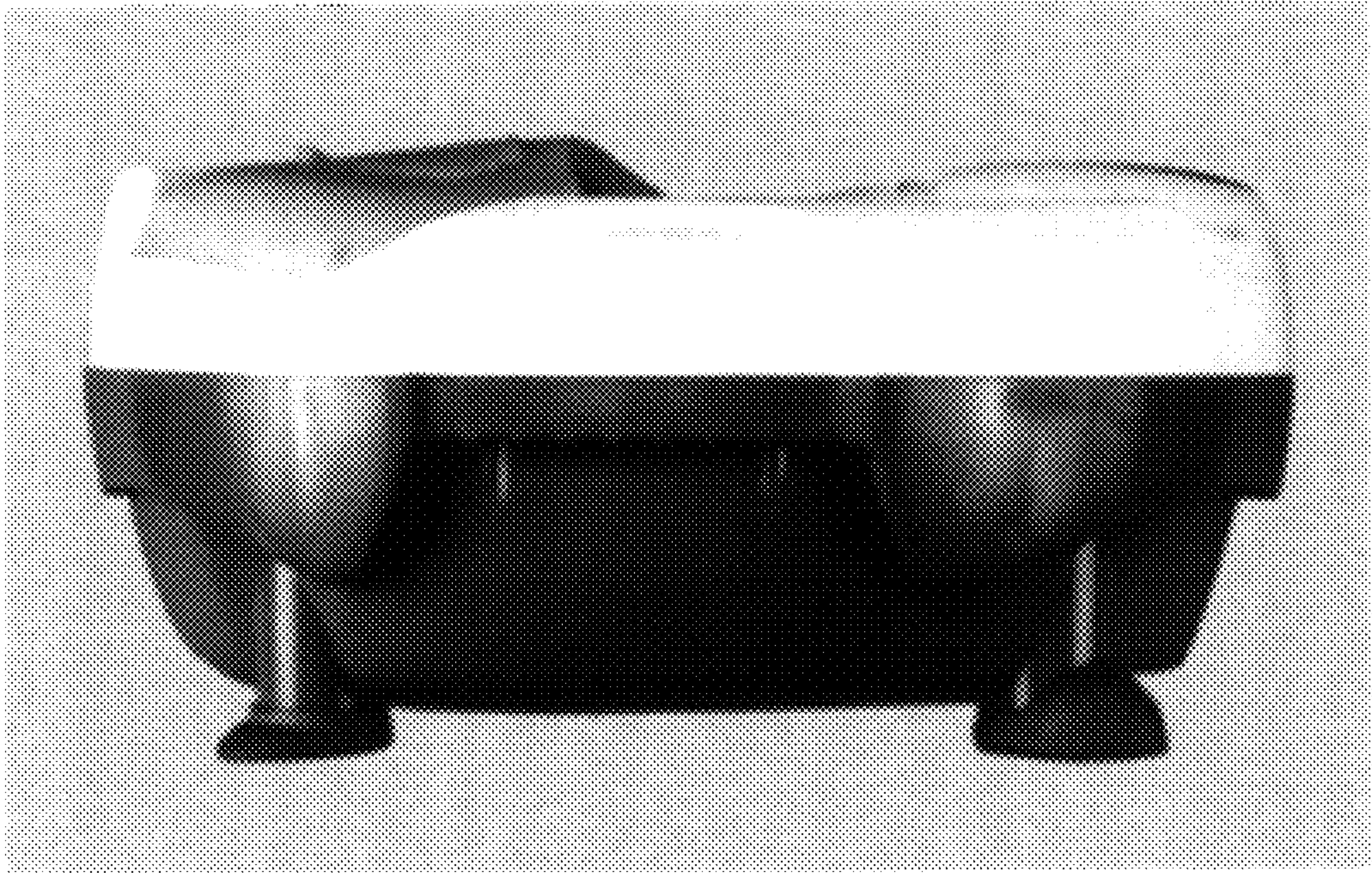


**FIG. 2**





**FIG. 3**



**FIG. 4**

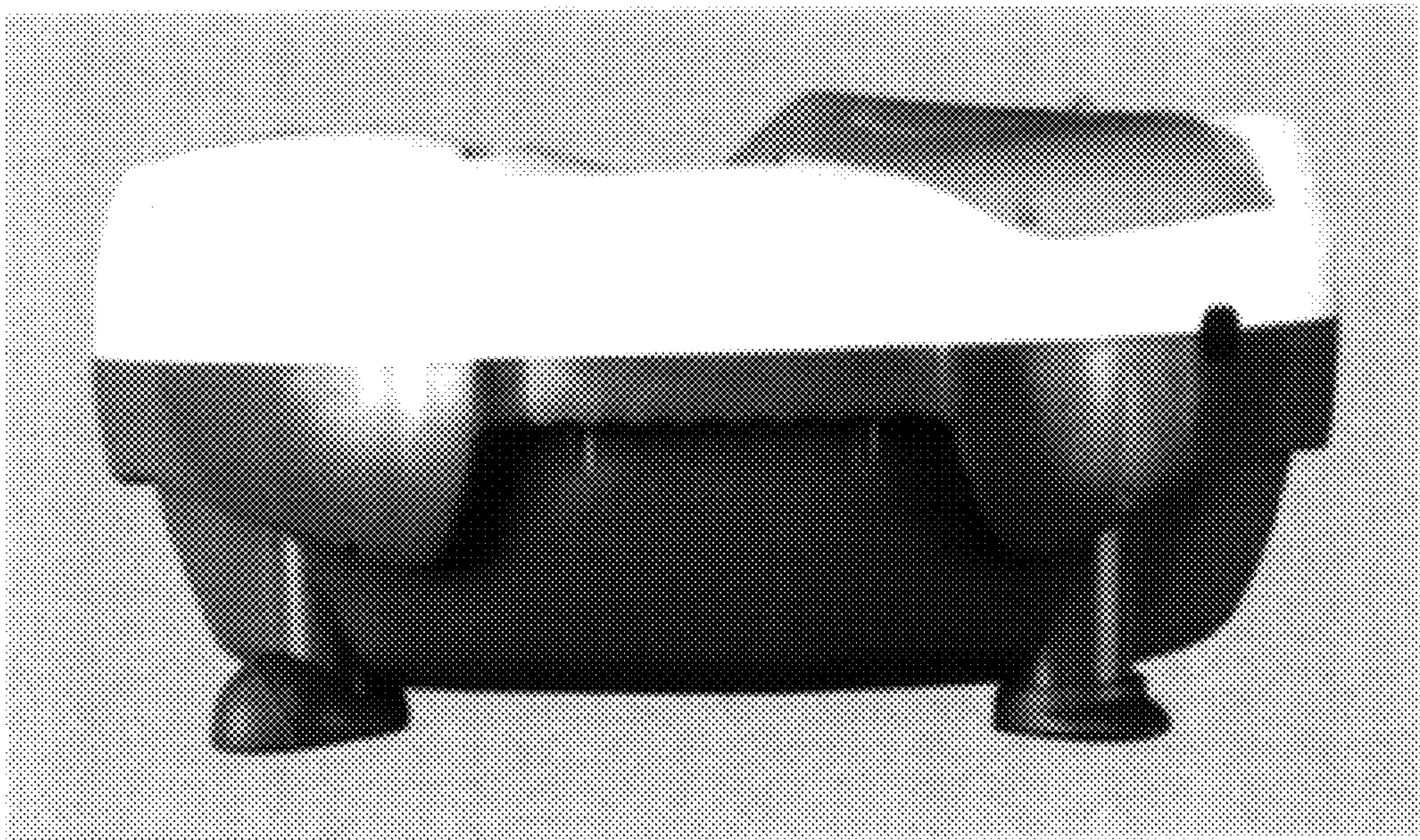




FIG. 5

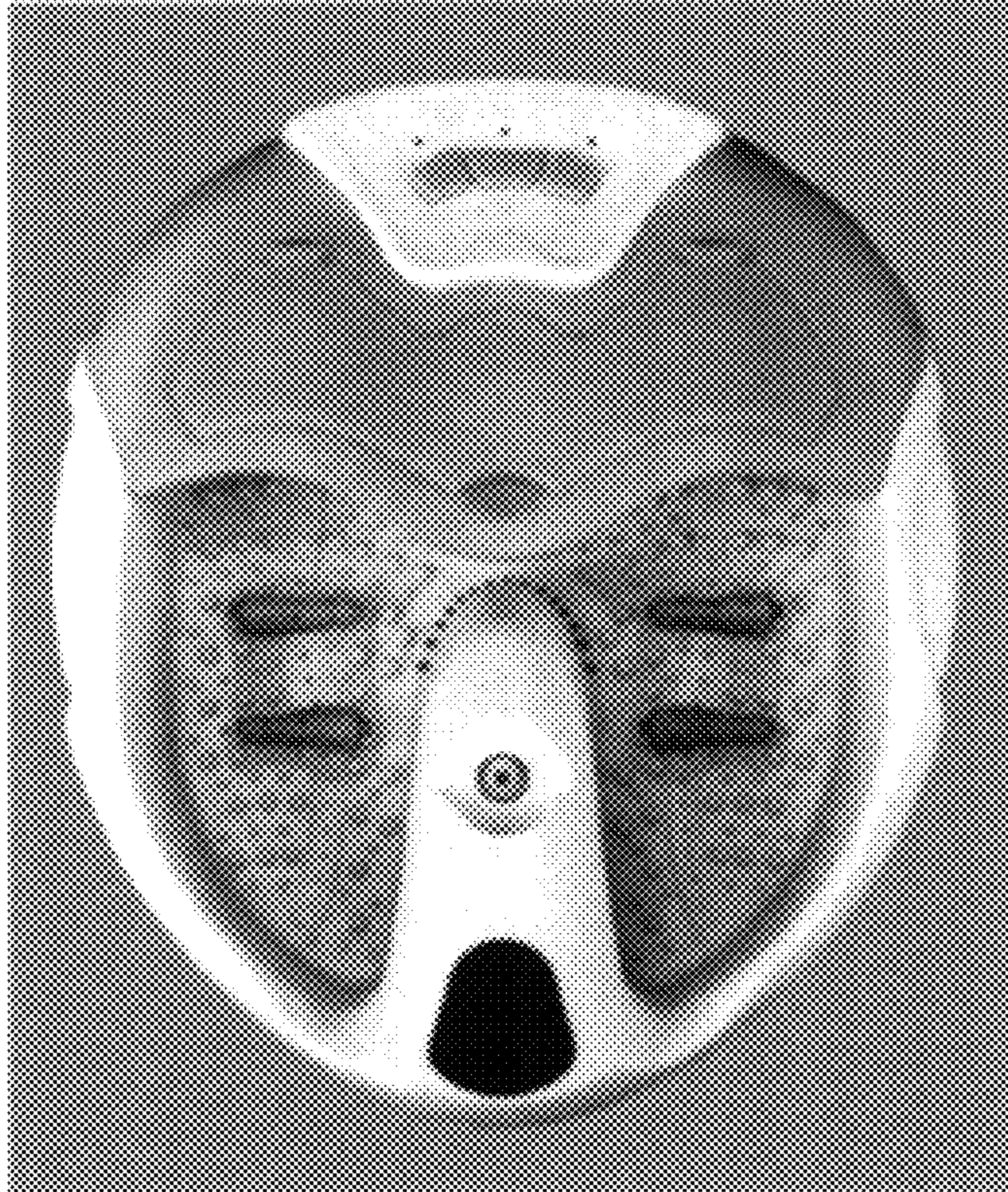
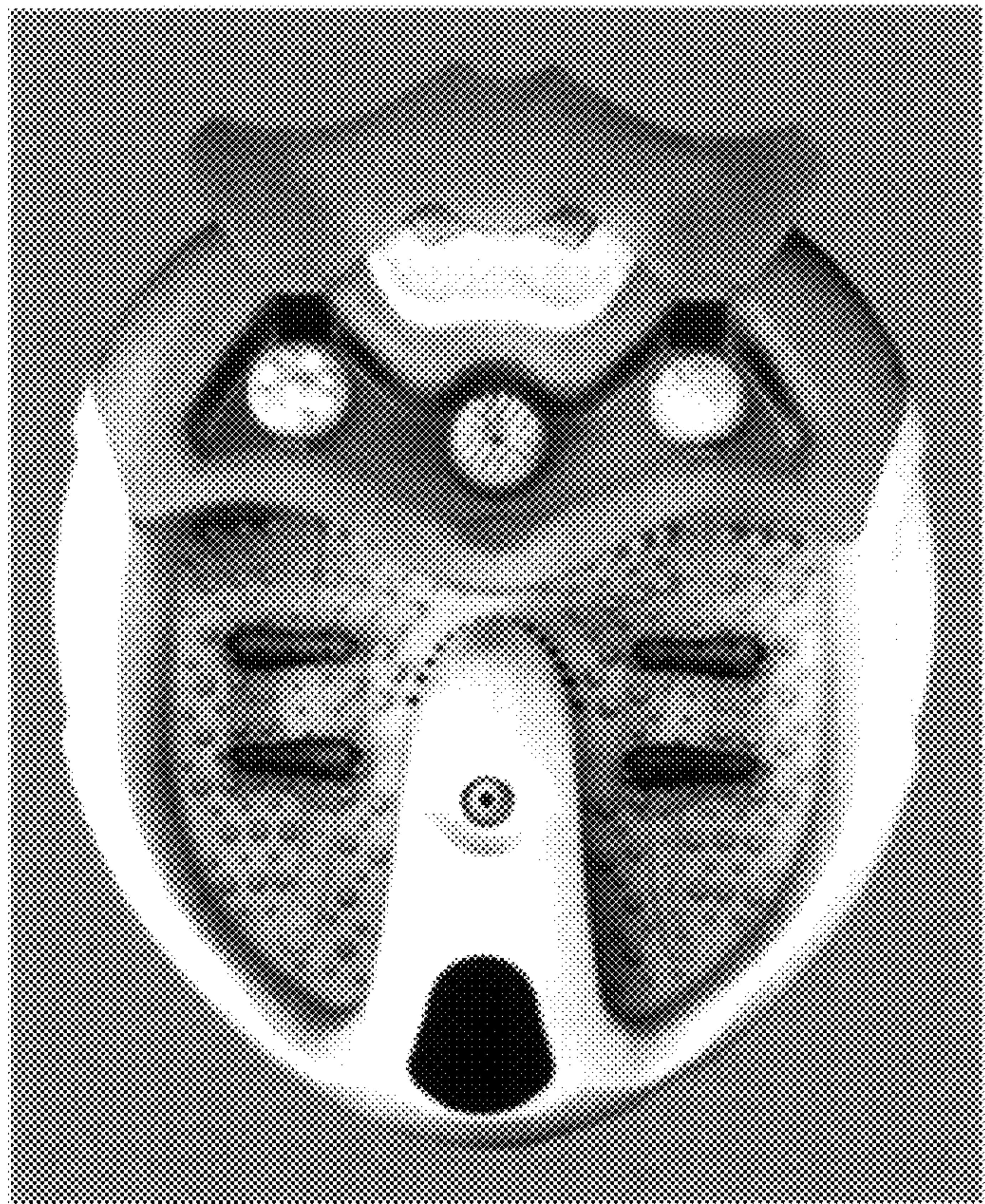
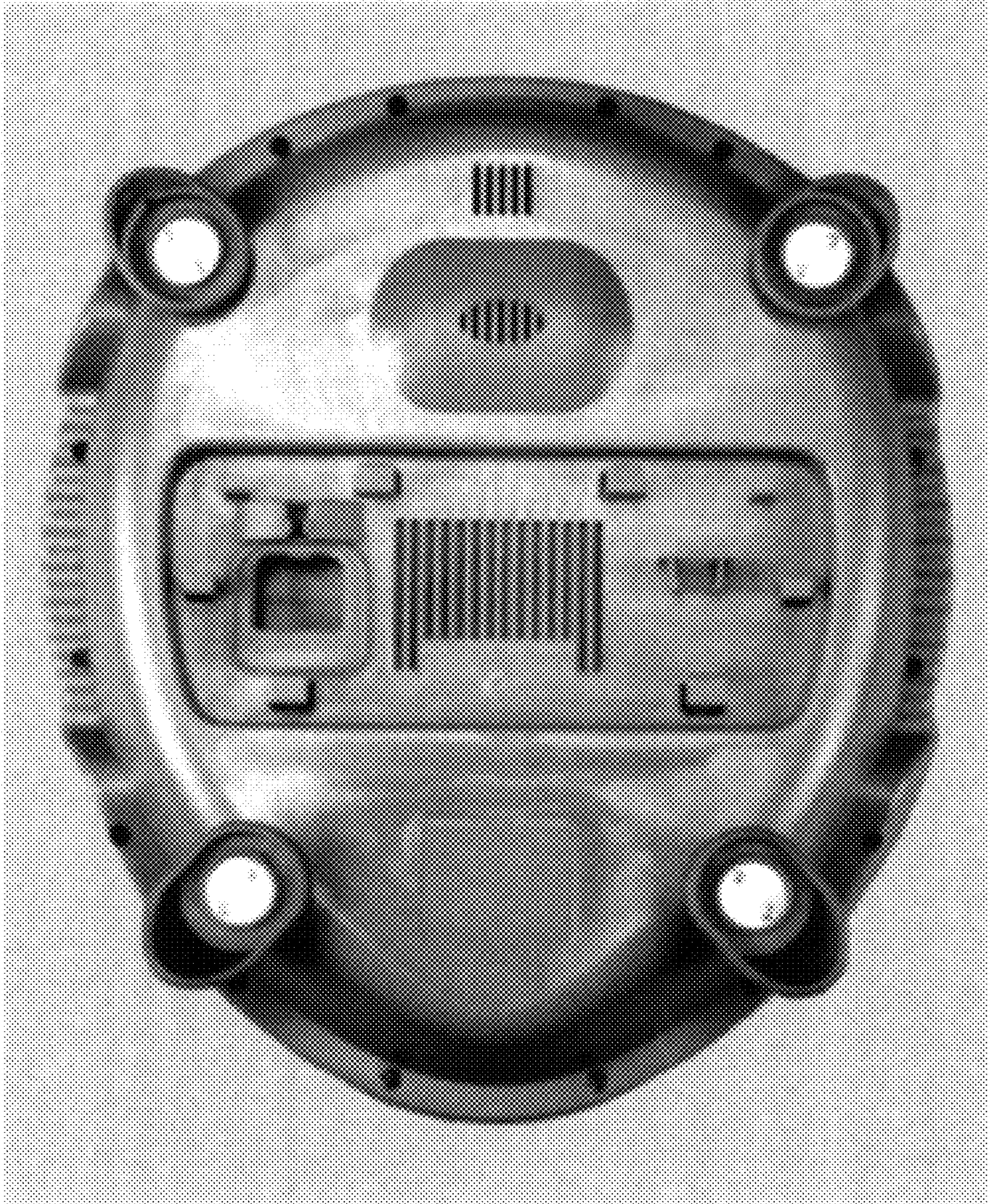


FIG. 6



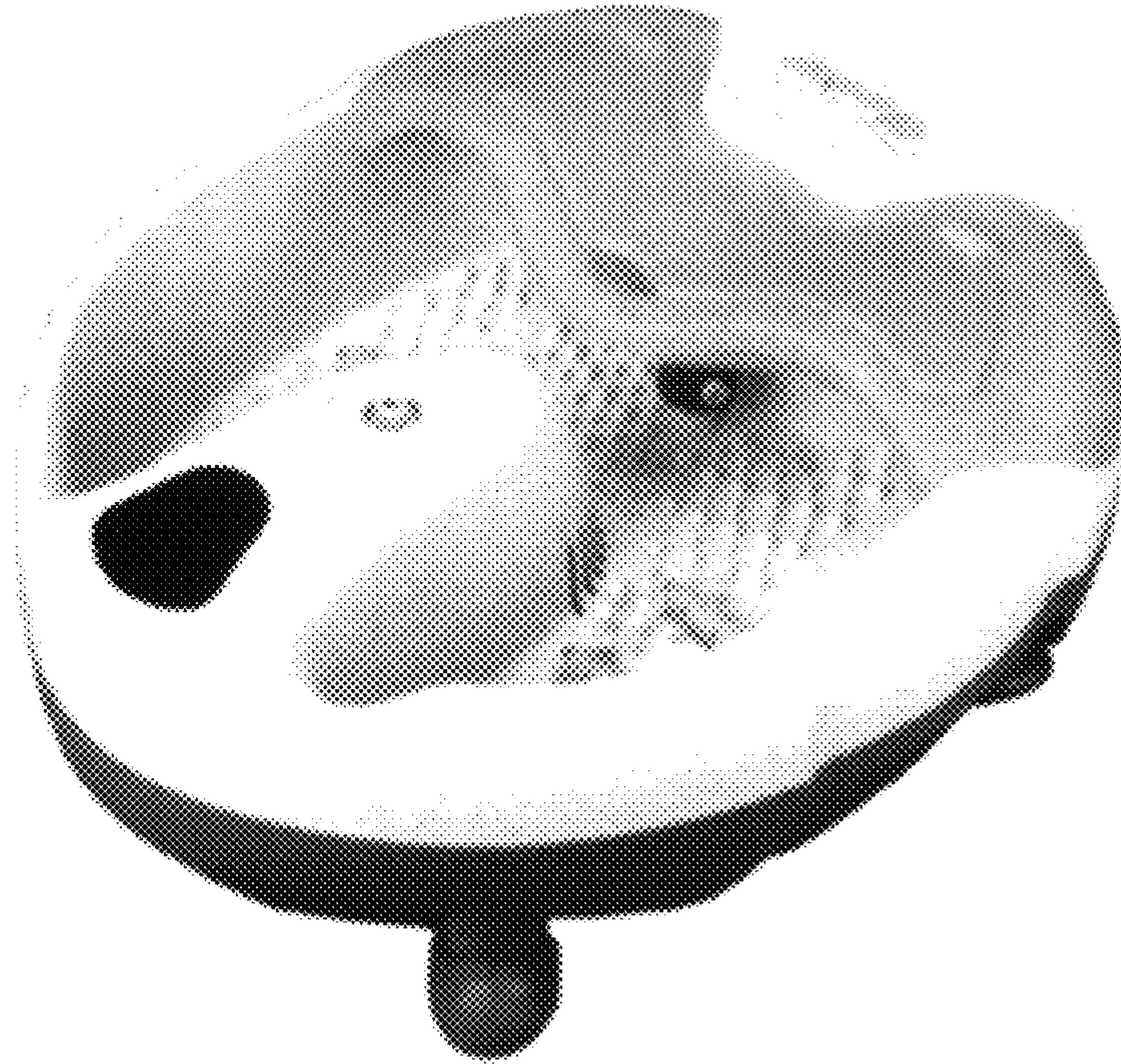


**FIG. 7**





**FIG. 8**



**FIG. 9**



**FIG. 10**

