



US00D487510S

(12) **United States Design Patent**  
**Guney et al.**

(10) **Patent No.:** **US D487,510 S**  
(45) **Date of Patent:** **\*\* Mar. 9, 2004**

(54) **CUSHION CLIP FOR MASK ASSEMBLY**

(75) Inventors: **Memduh Guney**, Killara (AU); **Perry D Lithgow**, Glenwood (AU); **Timothy Tsun-Fai Fu**, Carlingford (AU); **Jim Saada**, Kellyville (AU)

(73) Assignee: **Resmed Limited**, North Ryde (AU)

(\*\*) Term: **14 Years**

(21) Appl. No.: **29/170,560**

(22) Filed: **Nov. 8, 2002**

(51) **LOC (7) Cl.** ..... **29-02**

(52) **U.S. Cl.** ..... **D24/110.1**

(58) **Field of Search** ..... D24/110.1, 110.4,  
D24/110.5; 128/206.16, 205.25, 207.11,  
207.13, 206.26

(56) **References Cited**

**U.S. PATENT DOCUMENTS**

5,724,965 A \* 3/1998 Handke et al. .... 128/207.13

5,921,239 A \* 7/1999 McCall et al. .... 128/205.25  
D419,670 S \* 1/2000 Pollard ..... D24/110.4  
6,412,487 B1 7/2002 Gunaratnam et al.  
2003/0145857 A1 \* 8/2003 Sullivan et al. .... 128/205.25

\* cited by examiner

*Primary Examiner*—Ian Simmons

(74) *Attorney, Agent, or Firm*—Nixon & Vanderhye P.C.

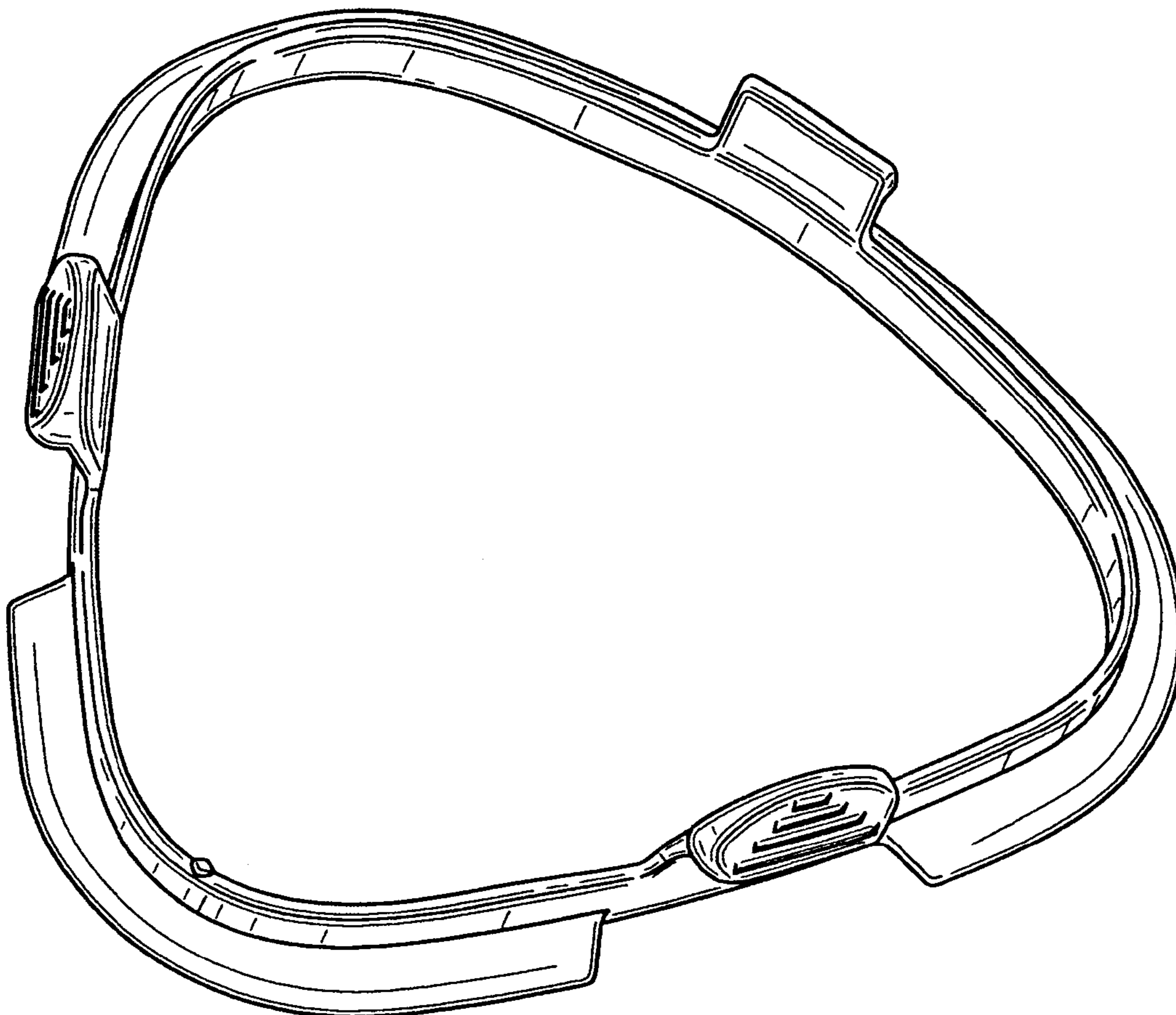
(57) **CLAIM**

The ornamental design for a cushion clip for mask assembly, as shown and described.

**DESCRIPTION**

FIG. 1 is a perspective view of a cushion clip for a mask assembly of our design;  
FIG. 2 is a front view thereof;  
FIG. 3 is a rear view thereof;  
FIG. 4 is a top view thereof;  
FIG. 5 is a right side view thereof, with the left side being a mirror image thereof; and,  
FIG. 6 is a bottom view thereof.

**1 Claim, 3 Drawing Sheets**



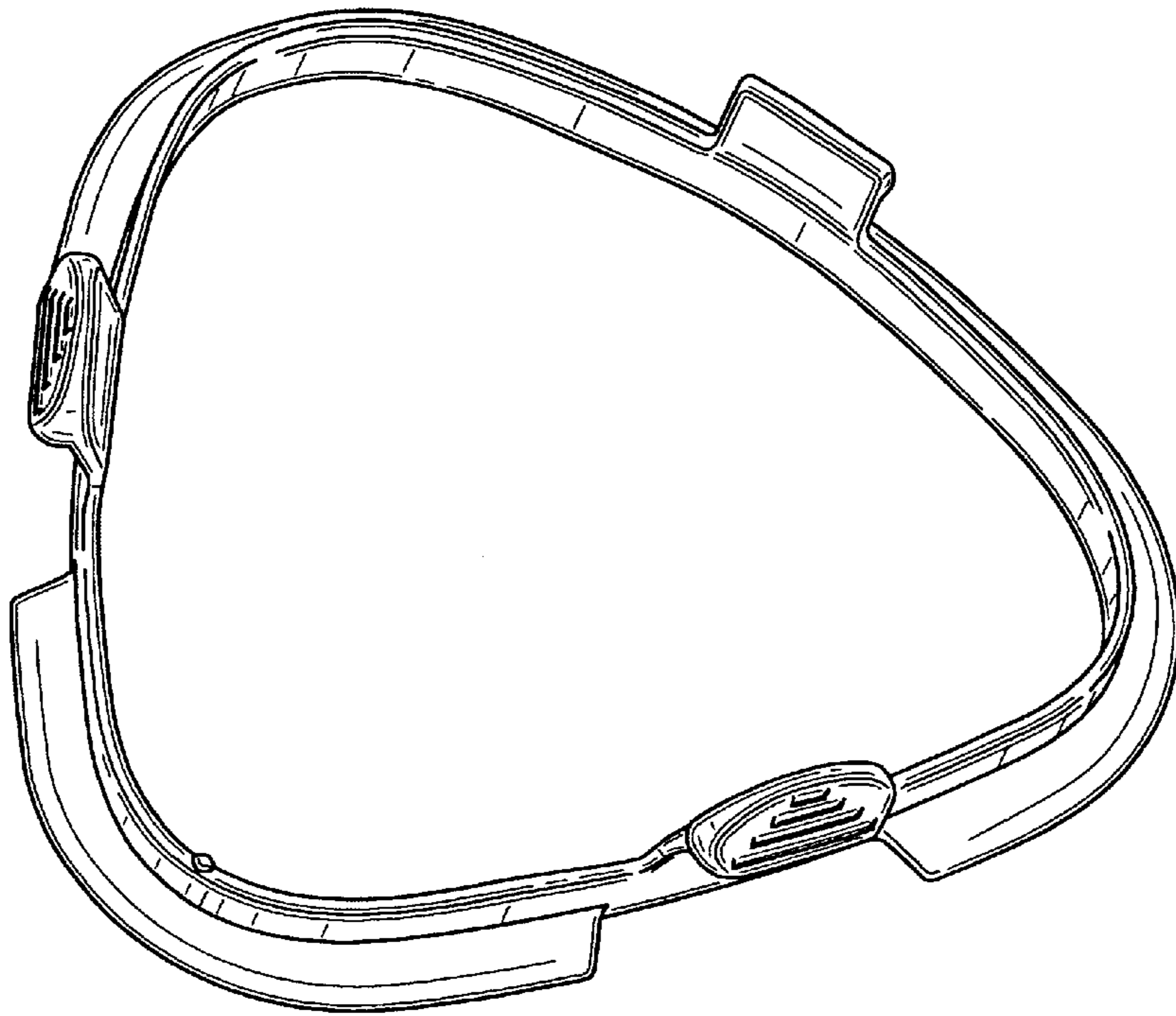


FIG. 1

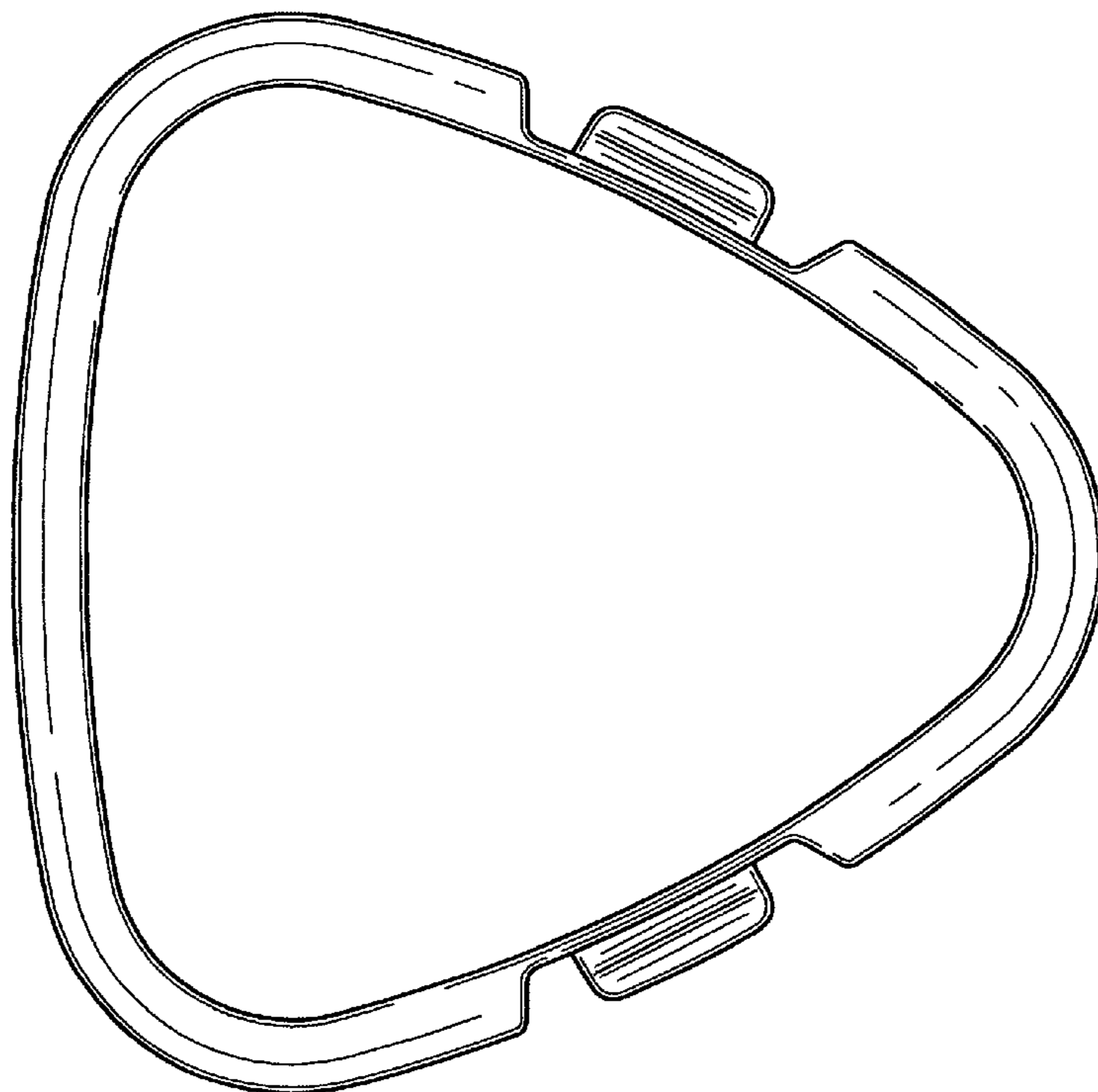


FIG. 2

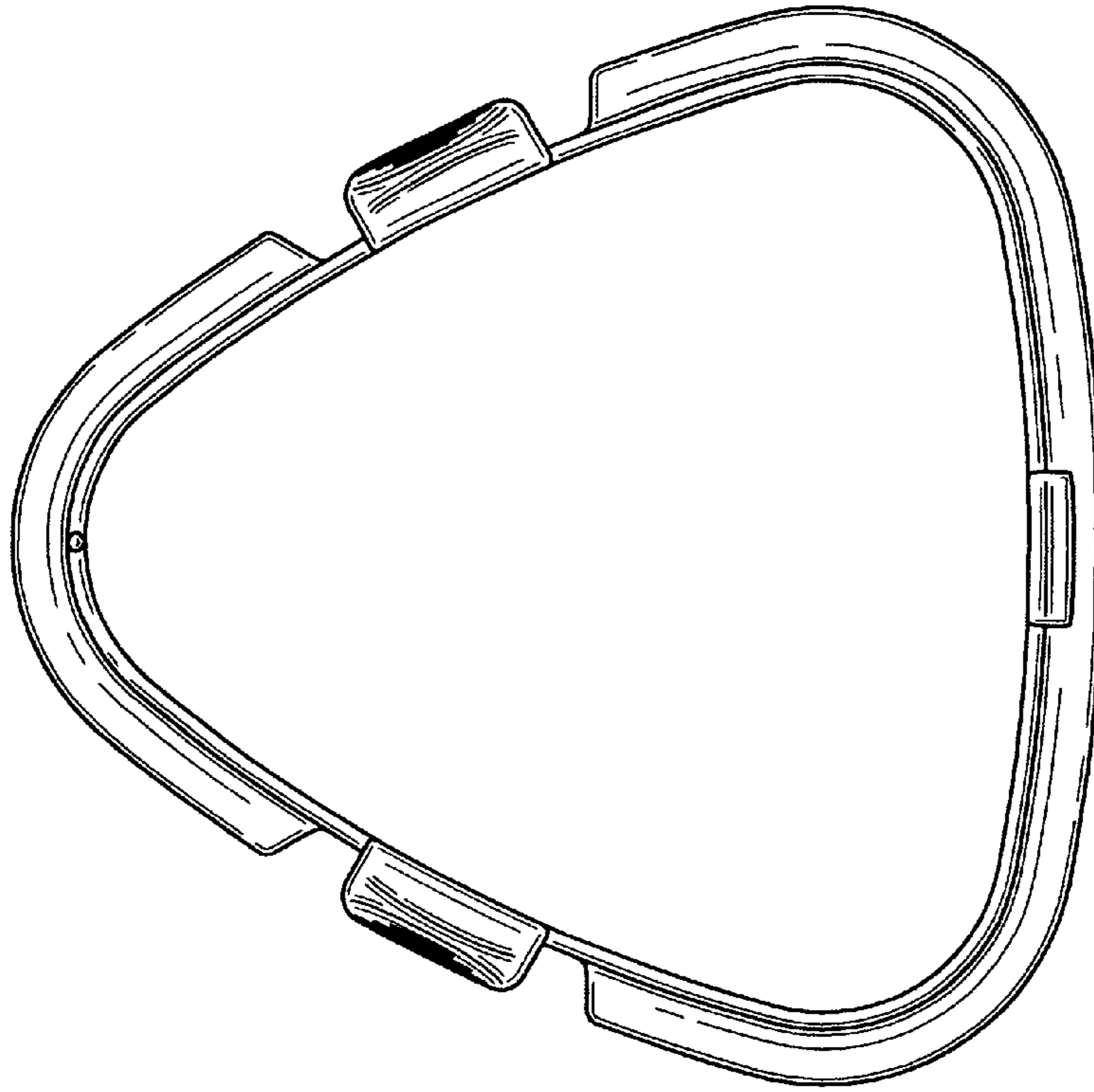


FIG. 3

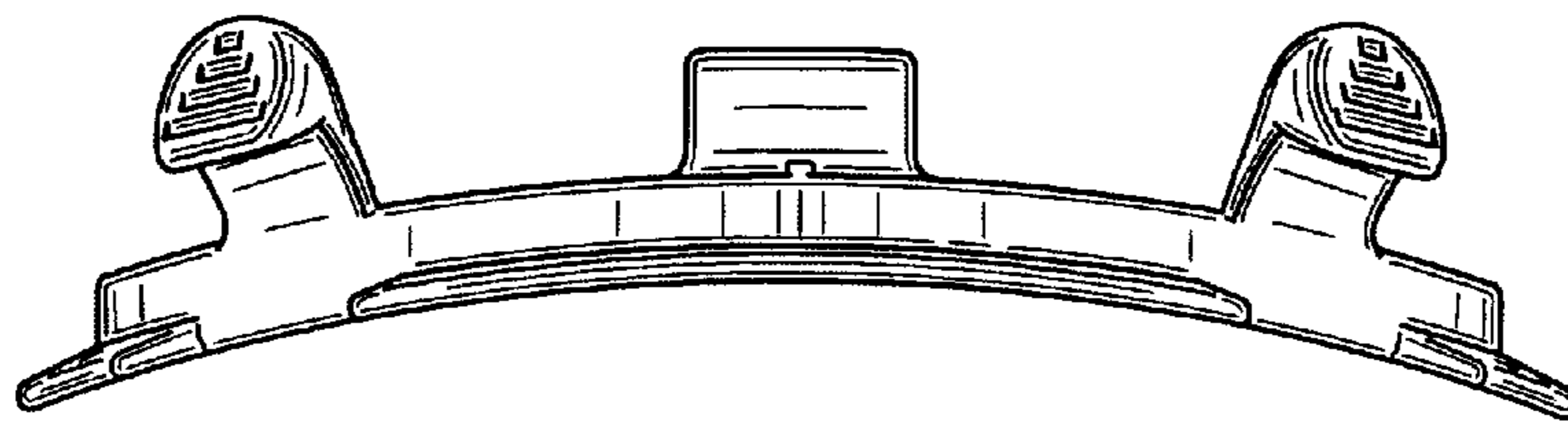


FIG. 4

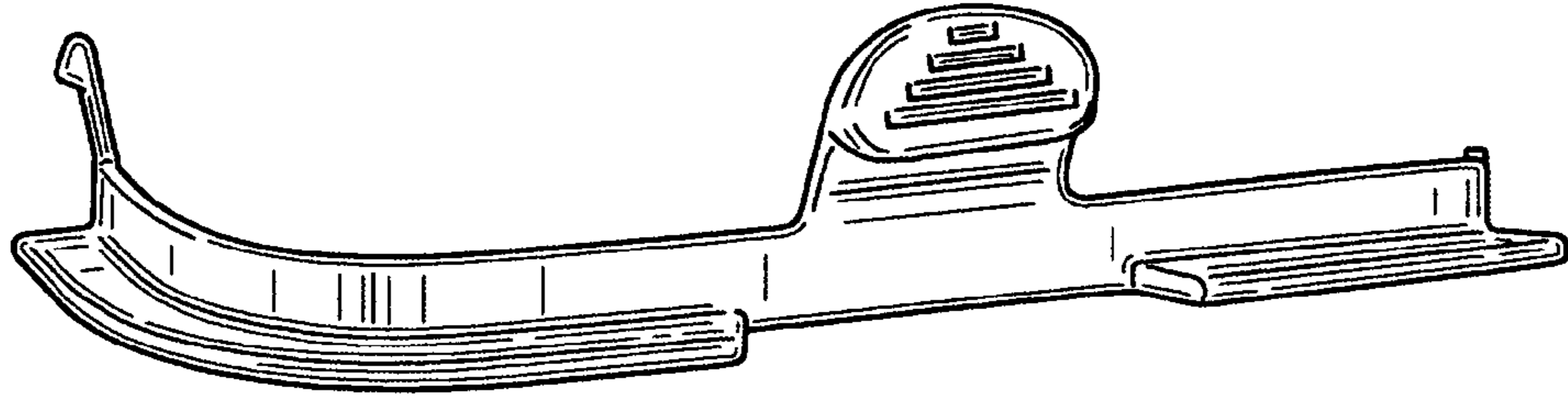


FIG. 5

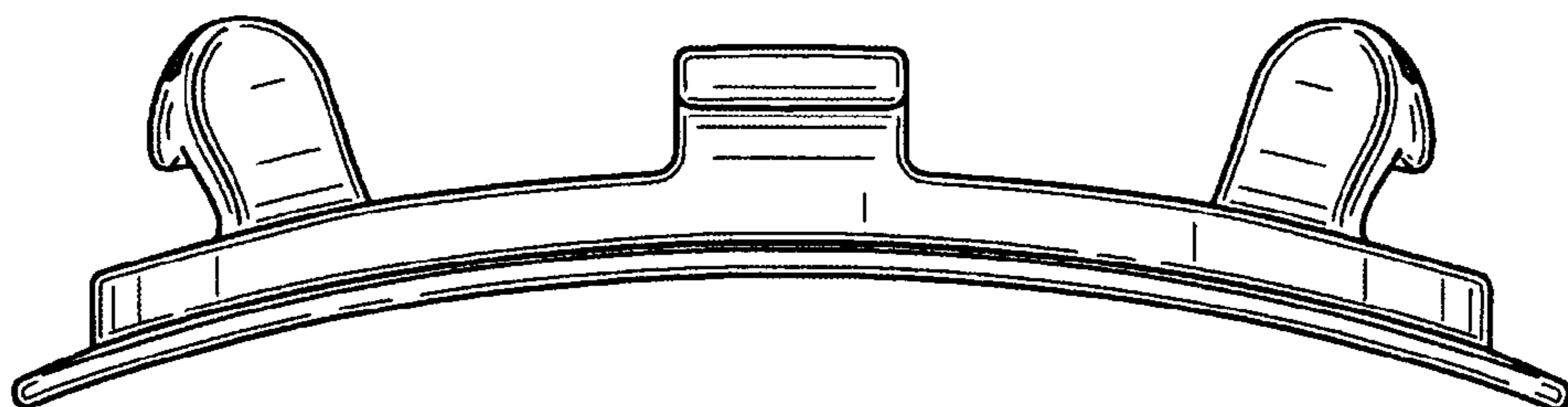


FIG. 6