



US00D487506S

(12) **United States Design Patent**  
**Burns**

(10) **Patent No.:** **US D487,506 S**

(45) **Date of Patent:** **\*\* Mar. 9, 2004**

(54) **CEILING FAN BLADE IRON**

(75) Inventor: **James P. Burns**, Memphis, TN (US)

(73) Assignee: **Hunter Fan Company**, Memphis, TN (US)

(\*\*) Term: **14 Years**

(21) Appl. No.: **29/163,728**

(22) Filed: **Jul. 9, 2002**

(51) **LOC (7) Cl.** ..... **23-04**

(52) **U.S. Cl.** ..... **D23/411**

(58) **Field of Search** ..... D23/411, 377,  
D23/379, 385; 416/5, 210 R

(56) **References Cited**

**U.S. PATENT DOCUMENTS**

D417,269 S \* 11/1999 Thomas, Jr. .... D23/411  
D436,659 S \* 1/2001 Campbell ..... D23/411

**OTHER PUBLICATIONS**

Hunter Fan Company—2001 Ceiling Fan selection and Special Order Guide (The Cedonia, Summer Breeze Plus, The

Brunswick) Casablanca Fan Company—Year 2000 Product Catalog (The Bel Air—pg. 31, Artisan—pg. 22).

\* cited by examiner

*Primary Examiner*—Lisa Lichtenstein  
(74) *Attorney, Agent, or Firm*—Baker Donelson

(57) **CLAIM**

The ornamental design for a ceiling fan blade iron, as shown and described.

**DESCRIPTION**

FIG. 1 is a perspective view of a ceiling fan blade iron showing my new design, shown in an inverted position for clarity.

FIG. 2 is a bottom view thereof.

FIG. 3 is a top view thereof.

FIG. 4 is a left side view thereof.

FIG. 5 is a right side view thereof.

FIG. 6 is a front view thereof; and,

FIG. 7 is a rear view thereof.

**1 Claim, 4 Drawing Sheets**

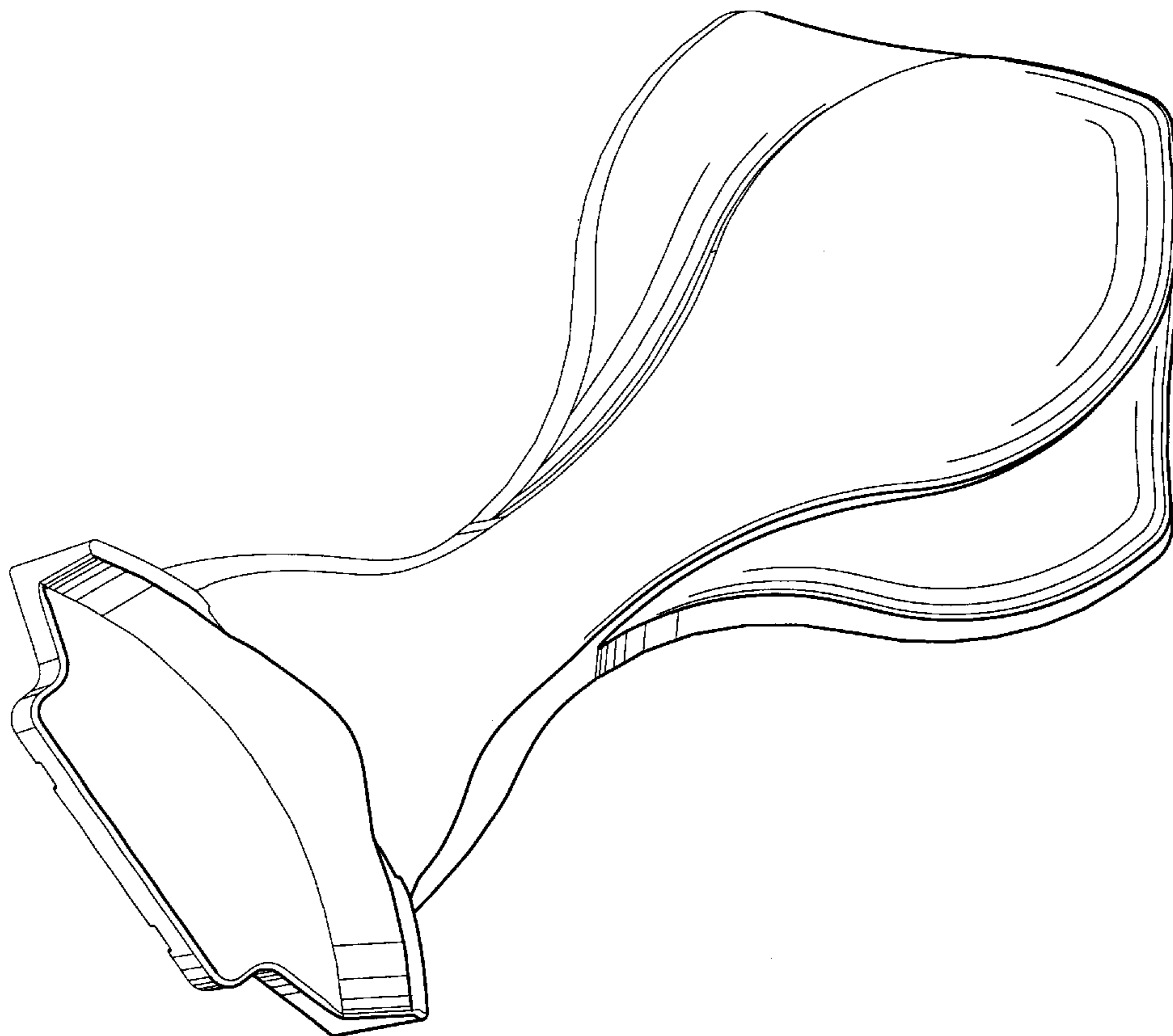


Fig. 1

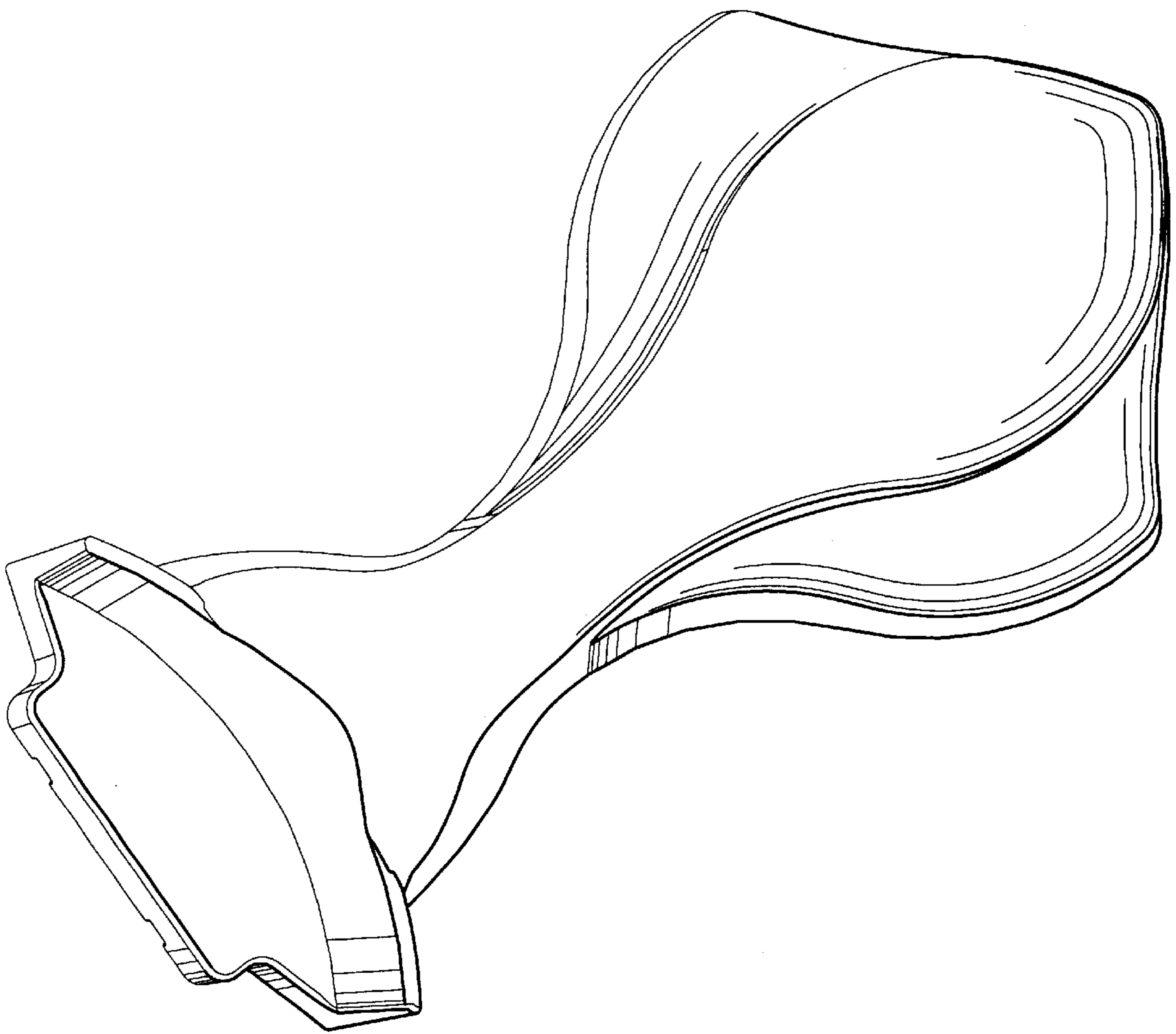


Fig. 2

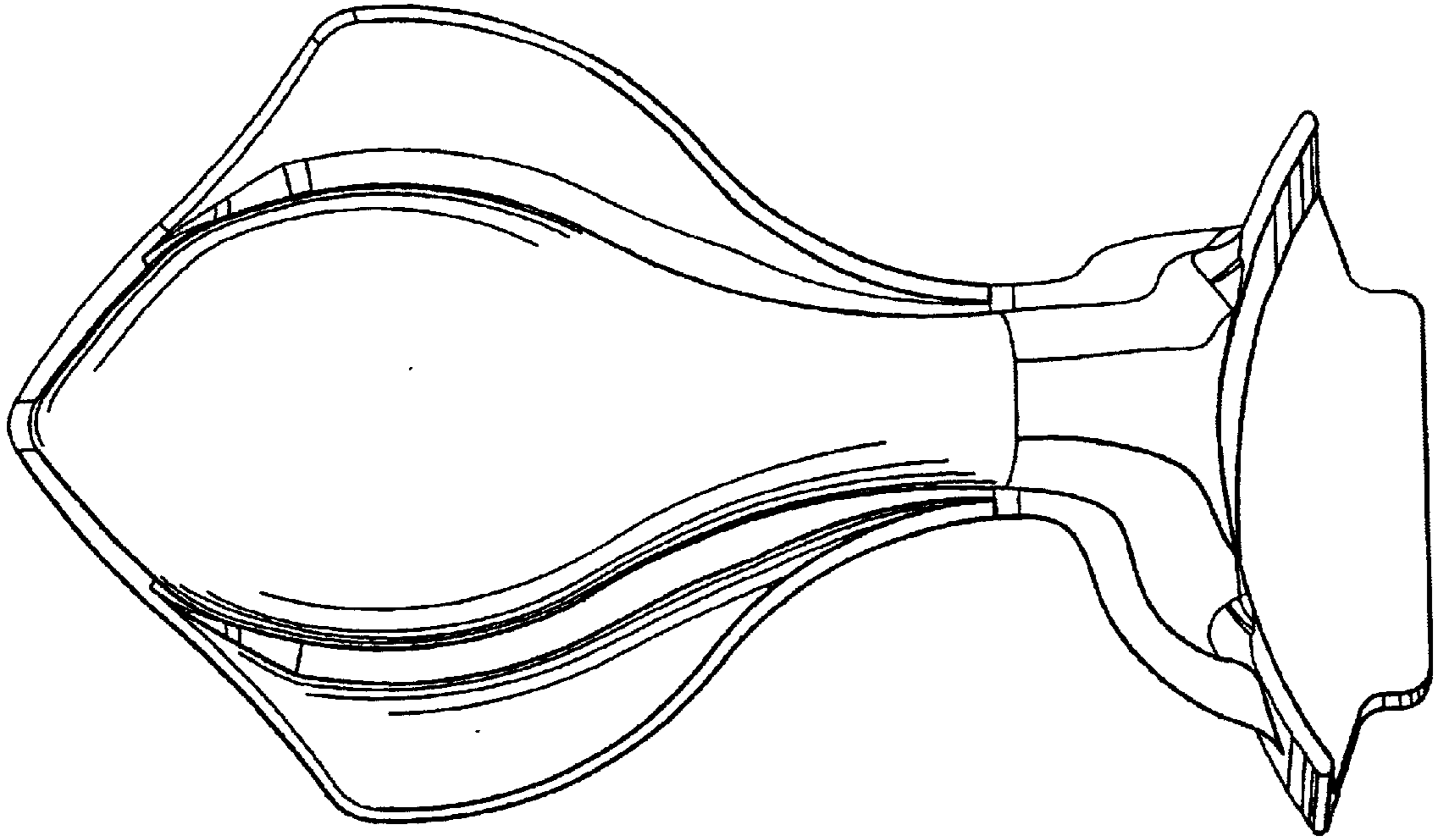


Fig. 3

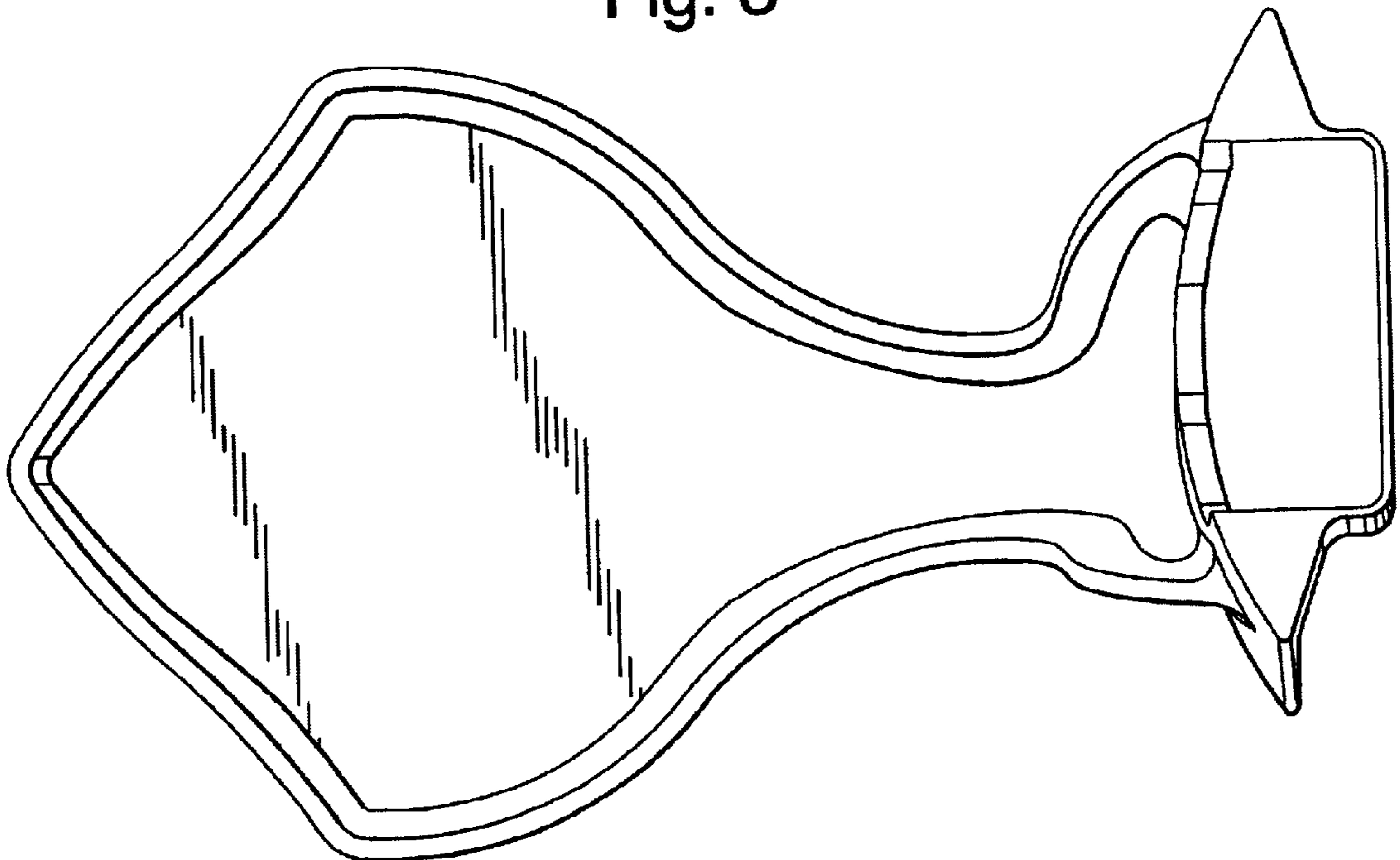


Fig. 4

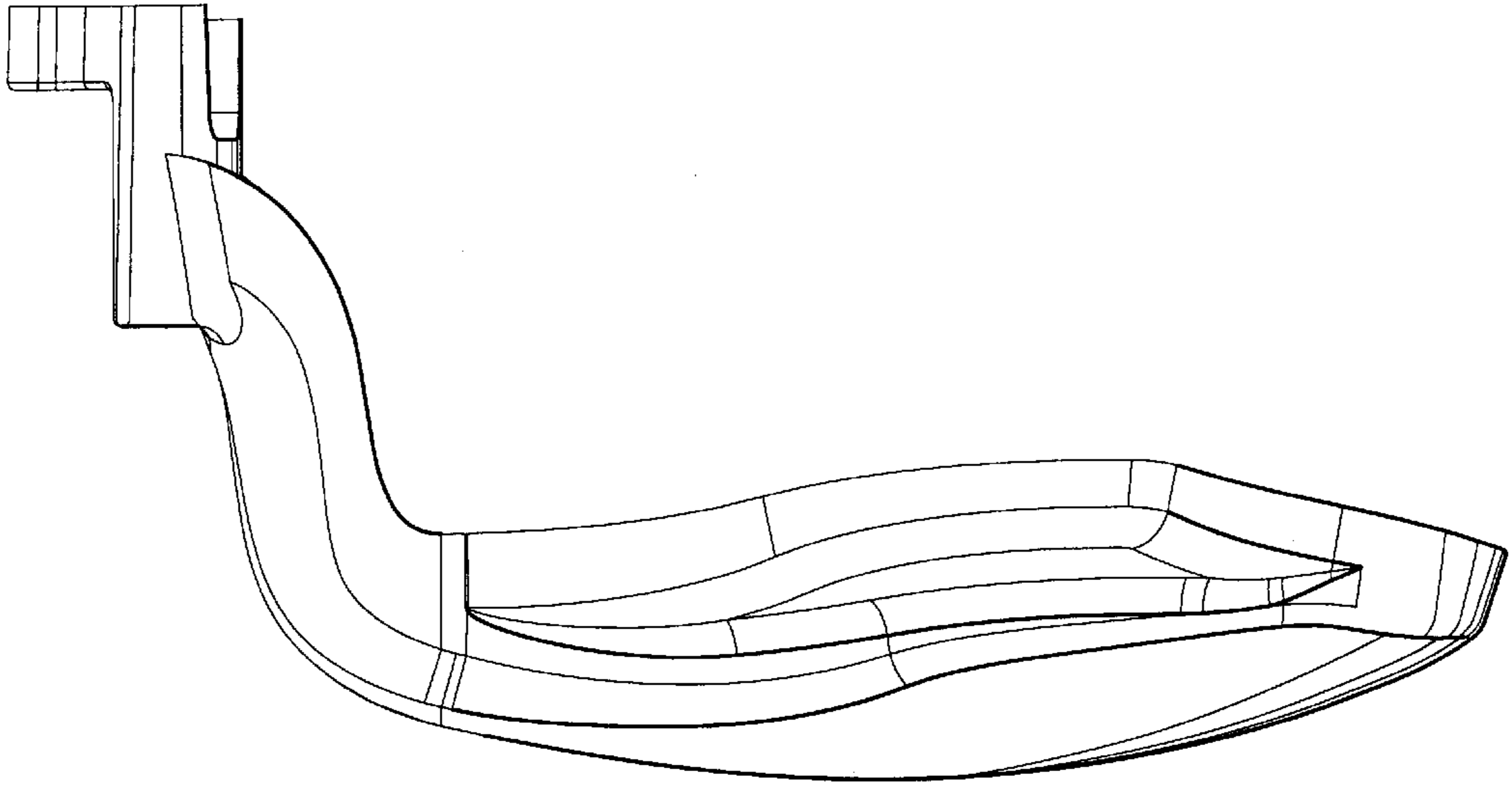


Fig. 5

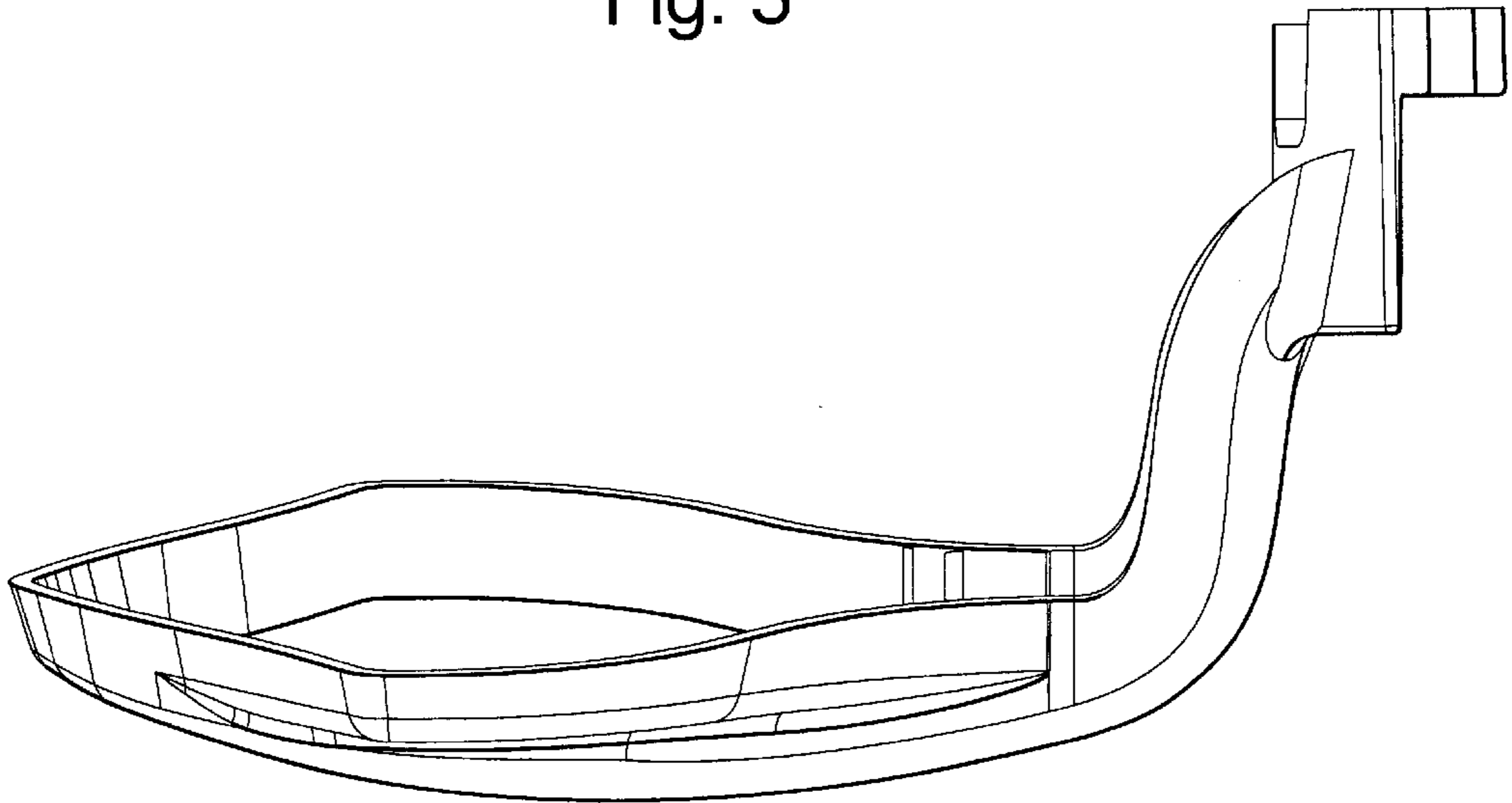


Fig. 6

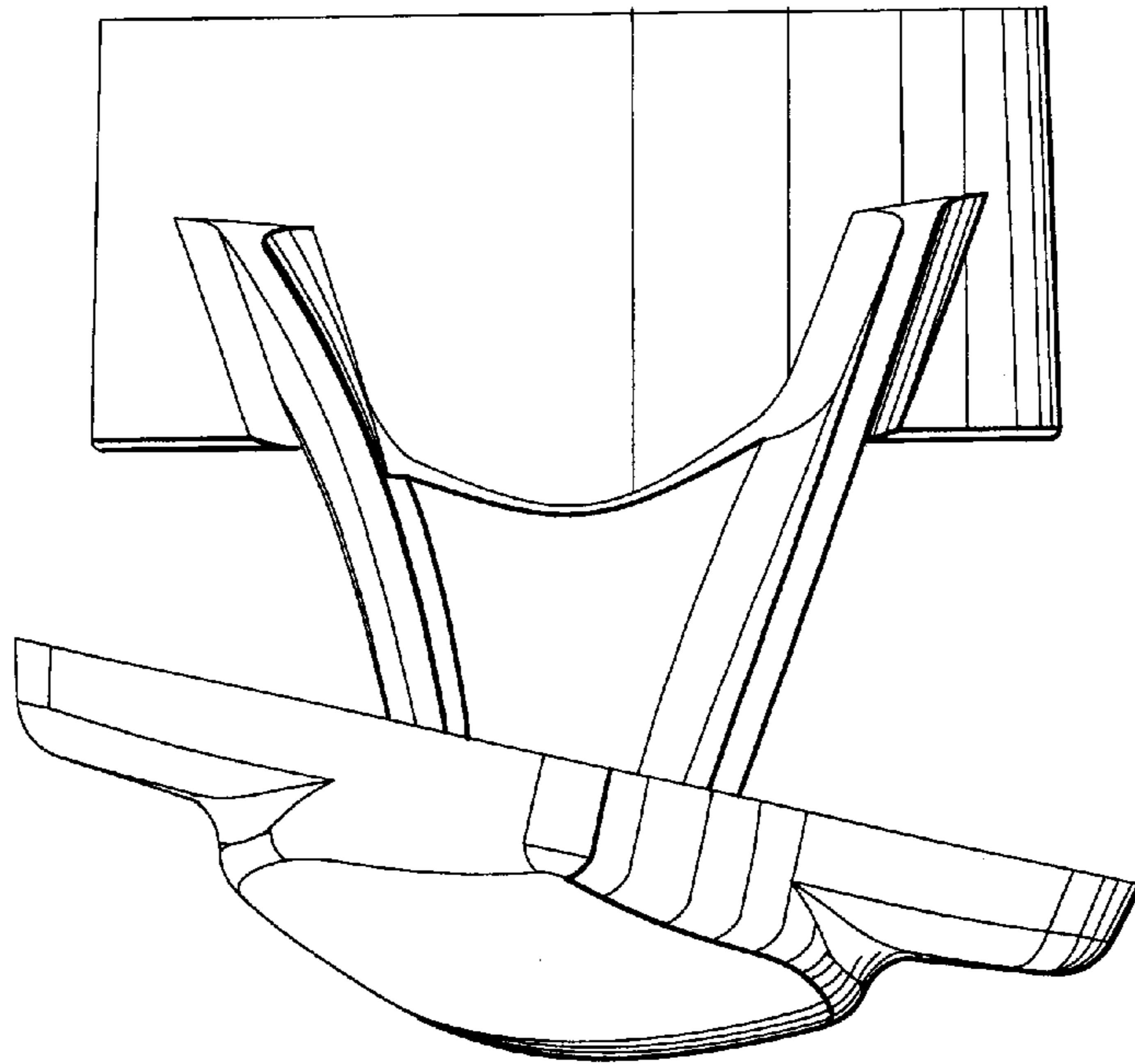


Fig. 7

