



US00D487500S

(12) **United States Design Patent**  
**Blattner**

(10) **Patent No.:** **US D487,500 S**

(45) **Date of Patent:** **\*\* Mar. 9, 2004**

(54) **SANITARY FAUCET**

(75) Inventor: **Joachim Blattner**, Haslach (DE)

(73) Assignee: **Hansgrohe AG**, Schiltach (DE)

(\*\*) Term: **14 Years**

(21) Appl. No.: **29/179,499**

(22) Filed: **Apr. 9, 2003**

(51) **LOC (7) Cl.** ..... **23-01**

(52) **U.S. Cl.** ..... **D23/241**

(58) **Field of Search** ..... **D23/238-243,**  
**D23/250-257; 4/675-678; 137/801**

(56) **References Cited**

**U.S. PATENT DOCUMENTS**

D405,508 S \* 2/1999 Doughty et al. .... D23/252

D469,853 S \* 2/2003 Ouyoung ..... D23/242

D471,258 S \* 3/2003 Marshall ..... D23/252

D477,054 S \* 7/2003 Schonherr et al. .... D23/242

**OTHER PUBLICATIONS**

DORNBRACHT catalog "EDITION TARA", two pages, 2001.

DORNBRACHT brochure "Multina", two pages, Apr. 2001.

Cristinia catalog "Collection 2000/2", pp. 14 and 15, 2000.

Tilo catalog, two pages, Mar. 1998.

\* cited by examiner

*Primary Examiner*—Louis S. Zarfaz

*Assistant Examiner*—Gregory Andoll

(74) *Attorney, Agent, or Firm*—Duane Morris LLP

(57) **CLAIM**

The ornamental design for a sanitary faucet, as shown and described.

**DESCRIPTION**

FIG. 1: is a side perspective view of the sanitary faucet showing my new design;

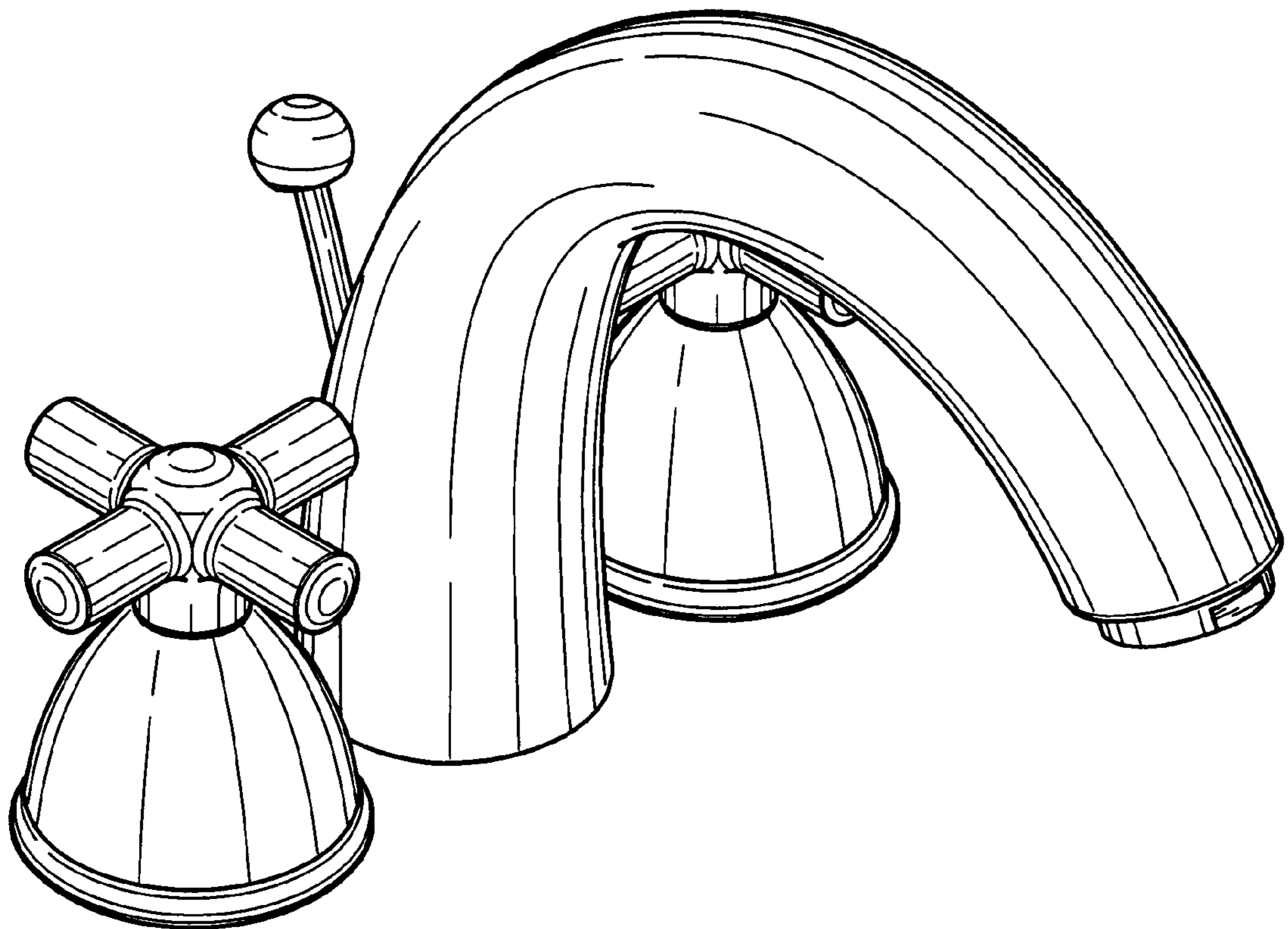
FIG. 2: is a side elevation view thereof, the opposite side being a mirror image;

FIG. 3: is a top plan view thereof;

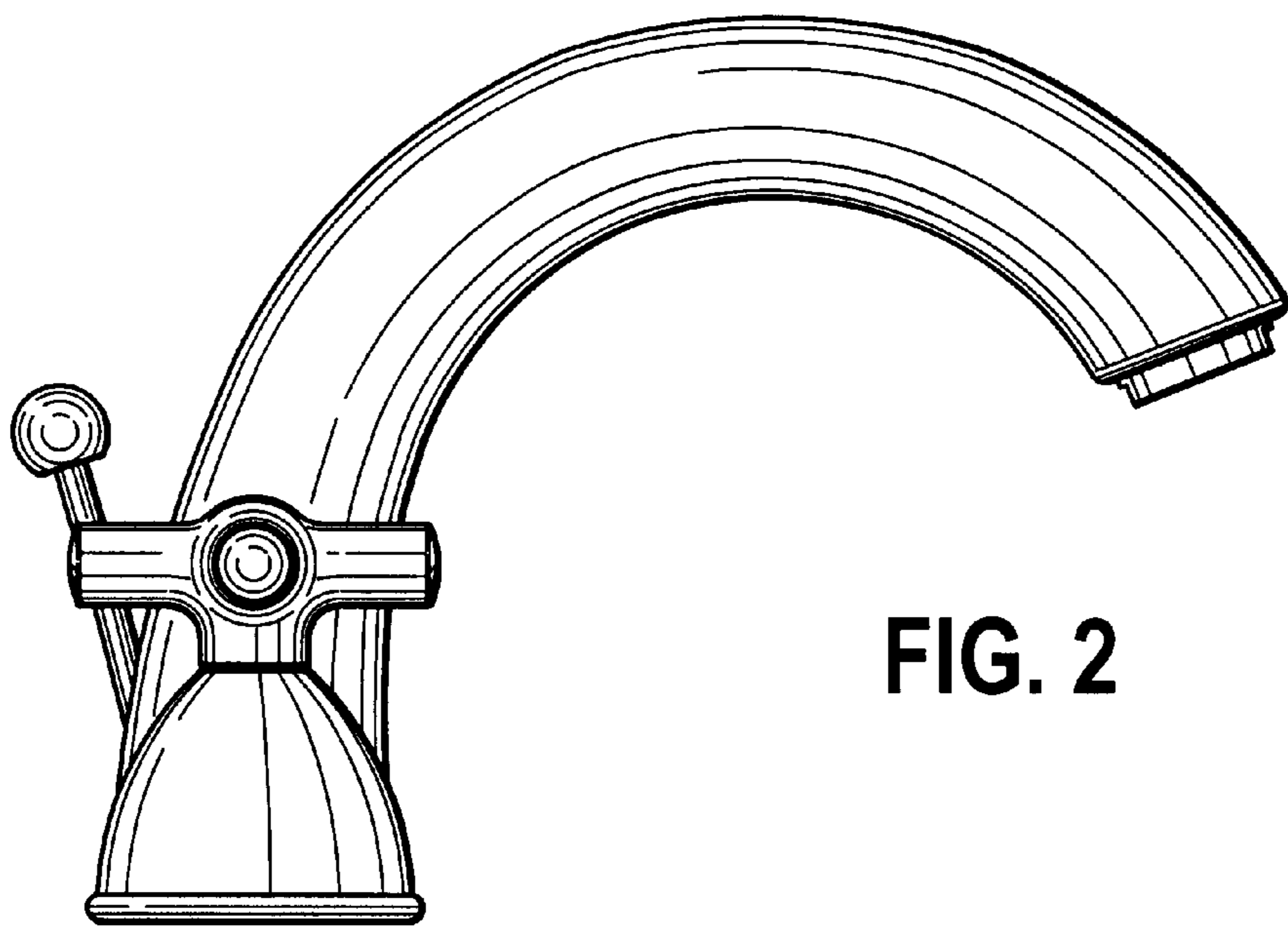
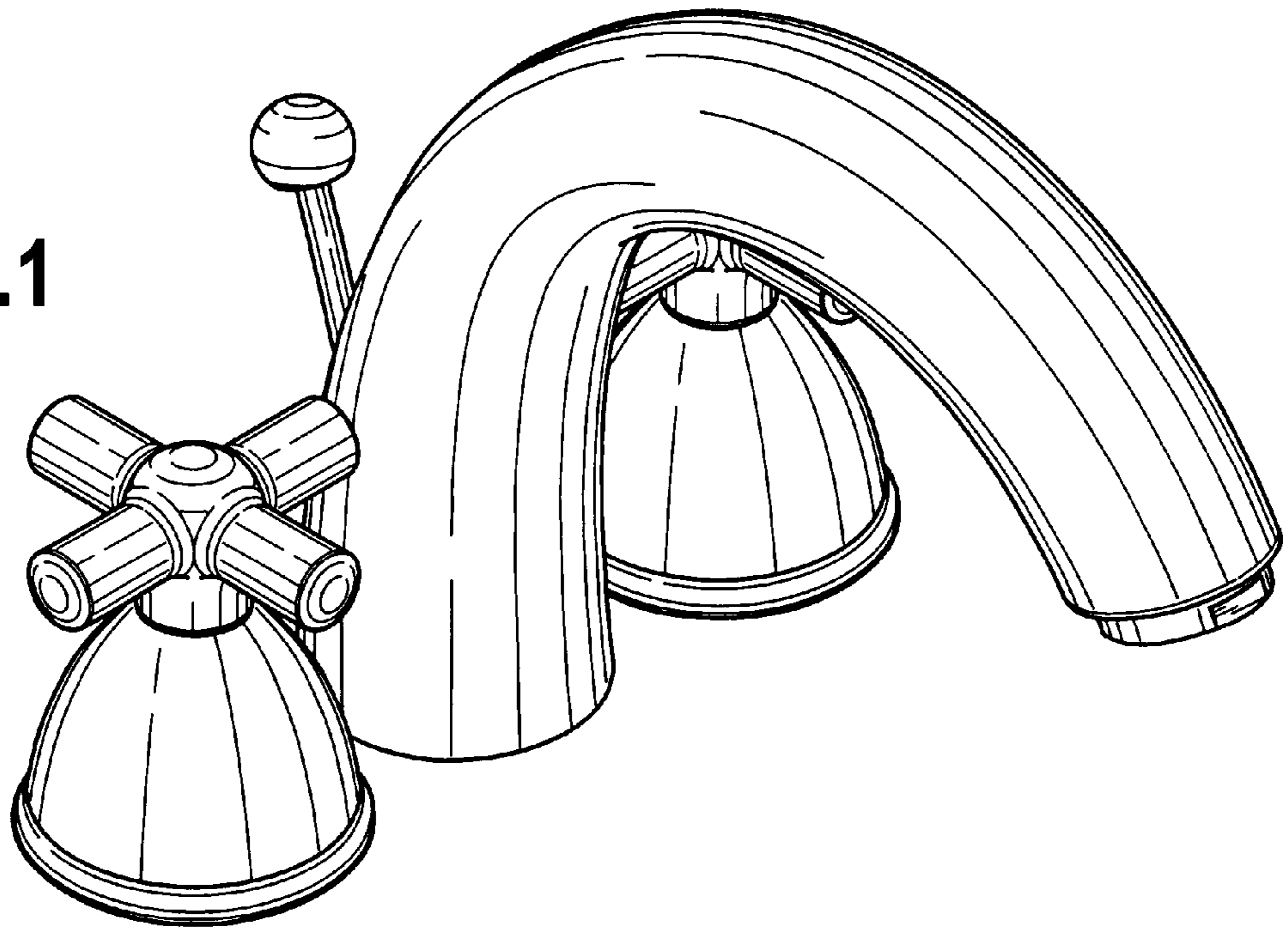
FIG. 4: is a front elevation view thereof; and,

FIG. 5: is a rear elevation view thereof.

**1 Claim, 3 Drawing Sheets**



**FIG. 1**



**FIG. 2**

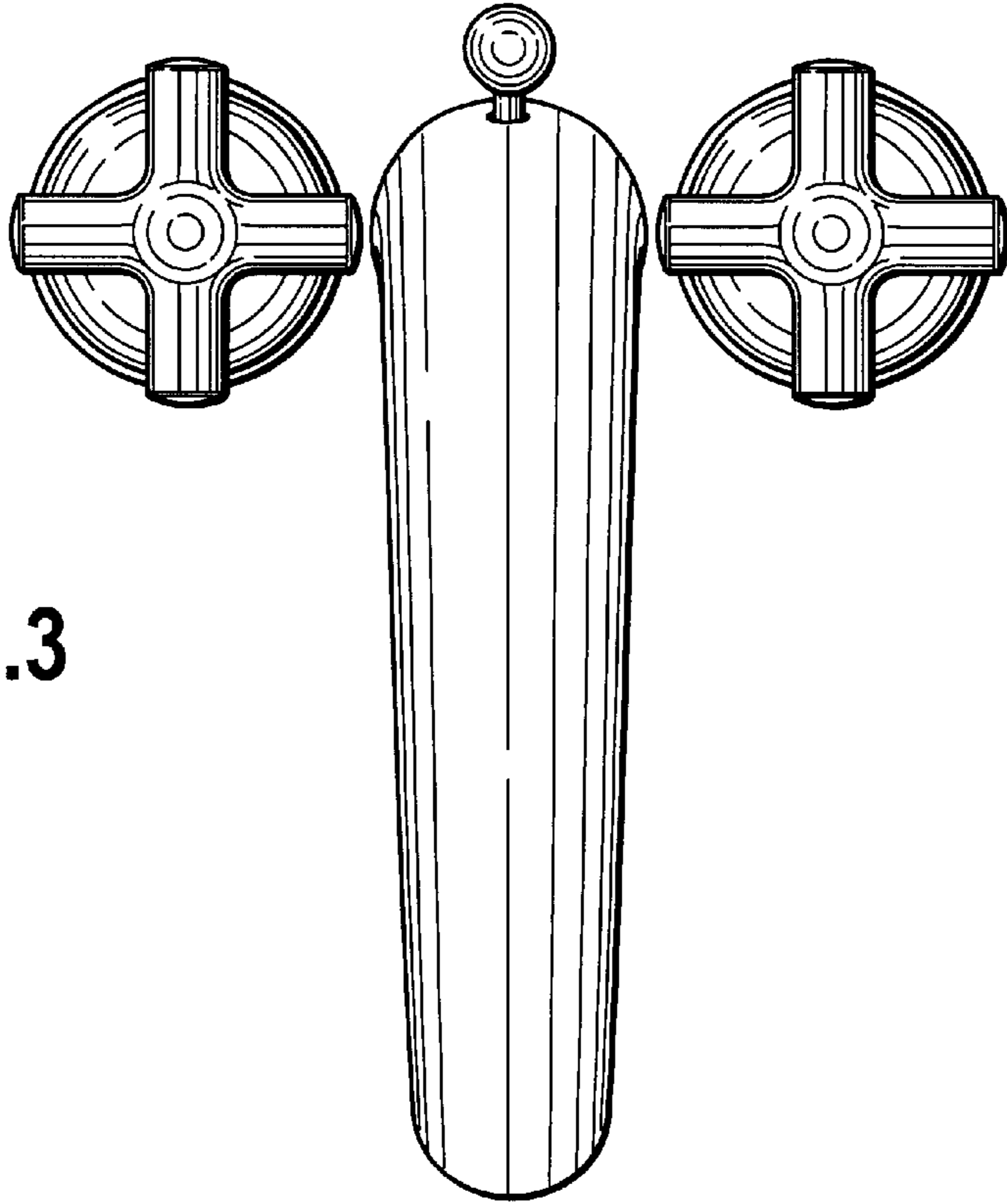


FIG.3

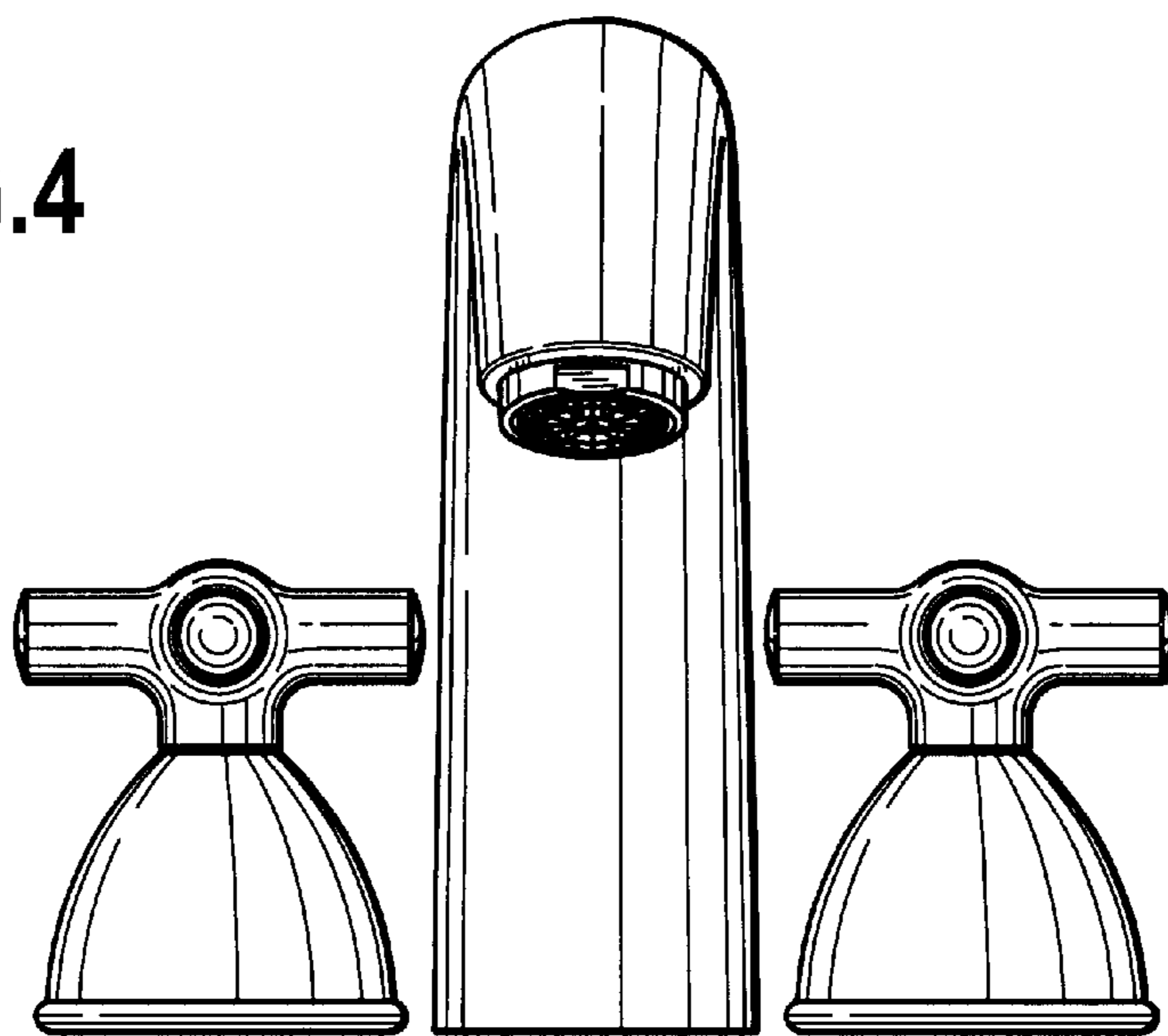


FIG.4

**FIG.5**

