



US00D487499S

(12) **United States Design Patent**  
**Zhao**

(10) **Patent No.:** **US D487,499 S**

(45) **Date of Patent:** **\*\* Mar. 9, 2004**

(54) **FAUCET**

(75) **Inventor:** **Weidong Zhao**, Xiamen (CN)

(73) **Assignee:** **Xiamen Lota International Co., Ltd.**,  
Xiamen (CN)

(\*\*) **Term:** **14 Years**

(21) **Appl. No.:** **29/164,456**

(22) **Filed:** **Jul. 24, 2002**

(51) **LOC (7) Cl.** ..... **23-01**

(52) **U.S. Cl.** ..... **D23/238; D23/255**

(58) **Field of Search** ..... **D23/238-243,**  
**D23/250-257; 4/675-678; 137/801**

(56) **References Cited**

**U.S. PATENT DOCUMENTS**

D287,395 S	*	12/1986	Piesco	.....	D23/255
D318,099 S	*	7/1991	Reid et al.	.....	D23/255
D375,345 S	*	11/1996	Warshawsky	.....	D23/241
D461,532 S	*	8/2002	Ouyoung	.....	D23/242
D462,749 S	*	9/2002	Lord	.....	D23/255

**OTHER PUBLICATIONS**

Price Pfister Marielle Faucet, from a Price Pfister brochure, date unknown.

Delta Victorian Faucet, from a Delta brochure, date unknown.

\* cited by examiner

*Primary Examiner*—Louis S. Zarfaz

*Assistant Examiner*—Gregory A. Andoll

(74) *Attorney, Agent, or Firm*—Wallenstein & Wagner, Ltd.

(57) **CLAIM**

I claim the ornamental design for a faucet, shown and described.

**DESCRIPTION**

FIG. 1 is a perspective view of the faucet of the invention;

FIG. 2 is a front view of the faucet of FIG. 1;

FIG. 3 is a left side view of the faucet of FIG. 1;

FIG. 4 is a rear view of the faucet of FIG. 1;

FIG. 5 is a right side view of the faucet of FIG. 1;

FIG. 6 is a top view of the faucet of FIG. 1; and,

FIG. 7 is a bottom view of the faucet of FIG. 1.

The broken lines in the Figures are for illustrative purposes only and form no part of the claimed design.

**1 Claim, 4 Drawing Sheets**

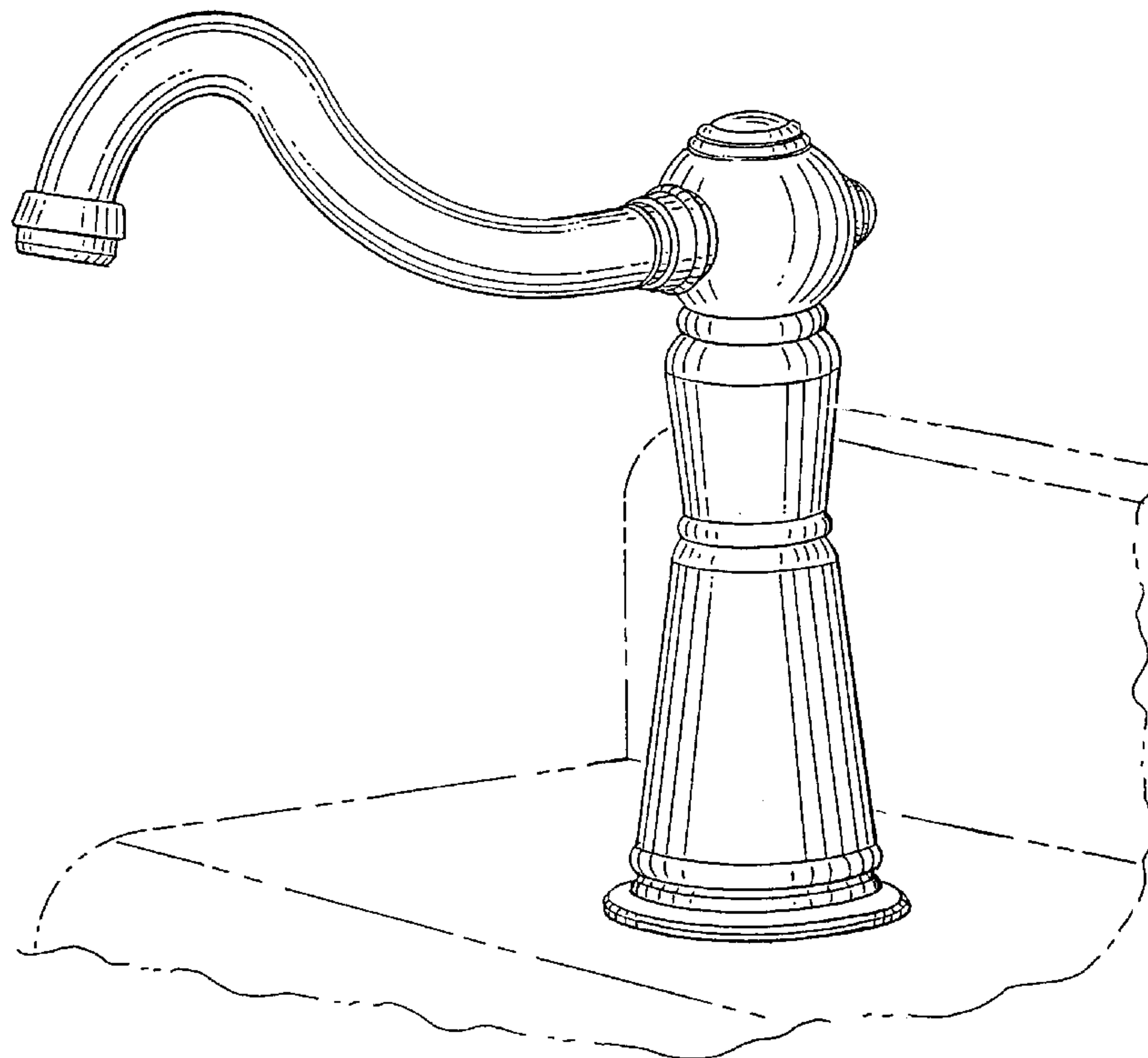
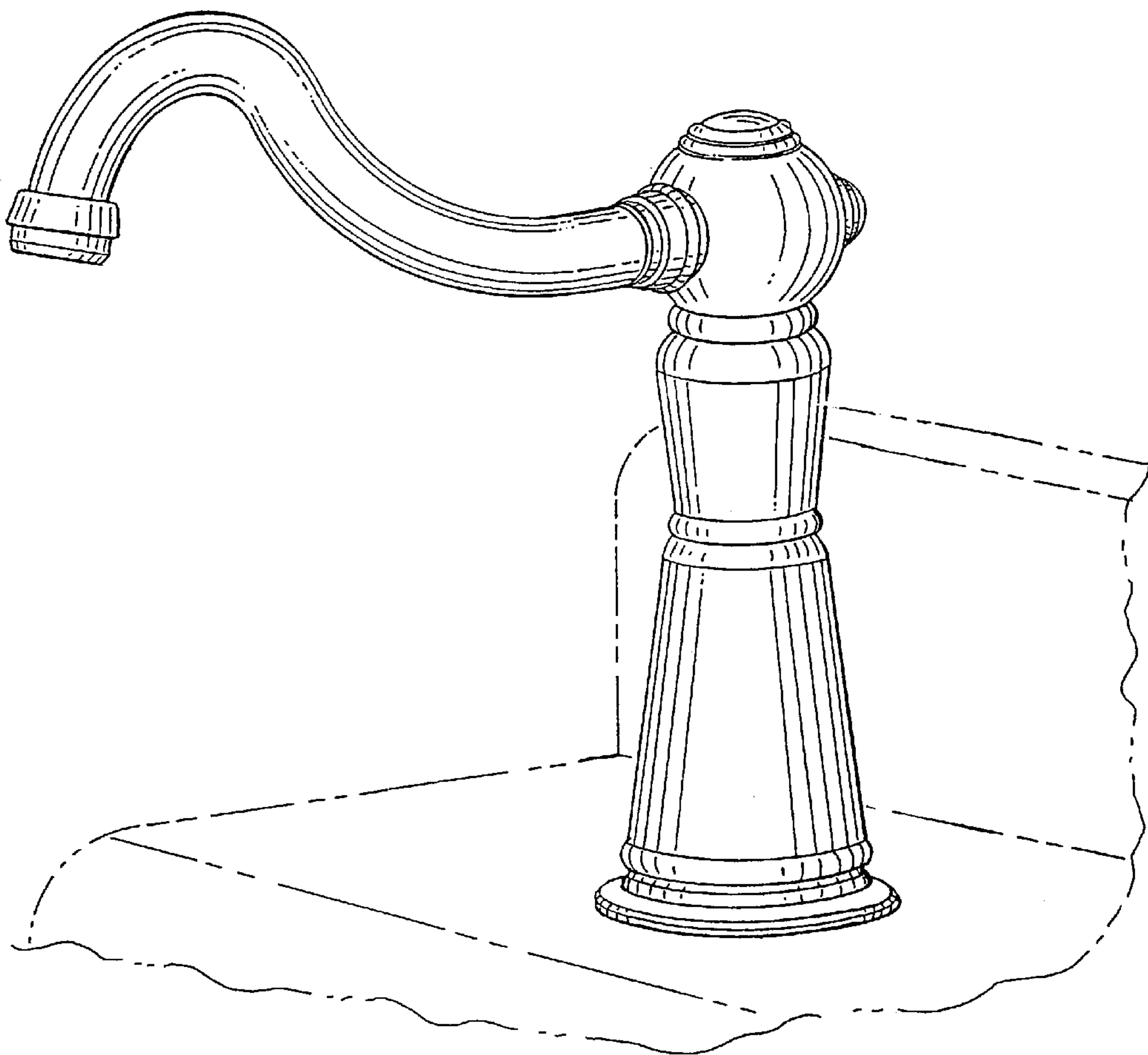
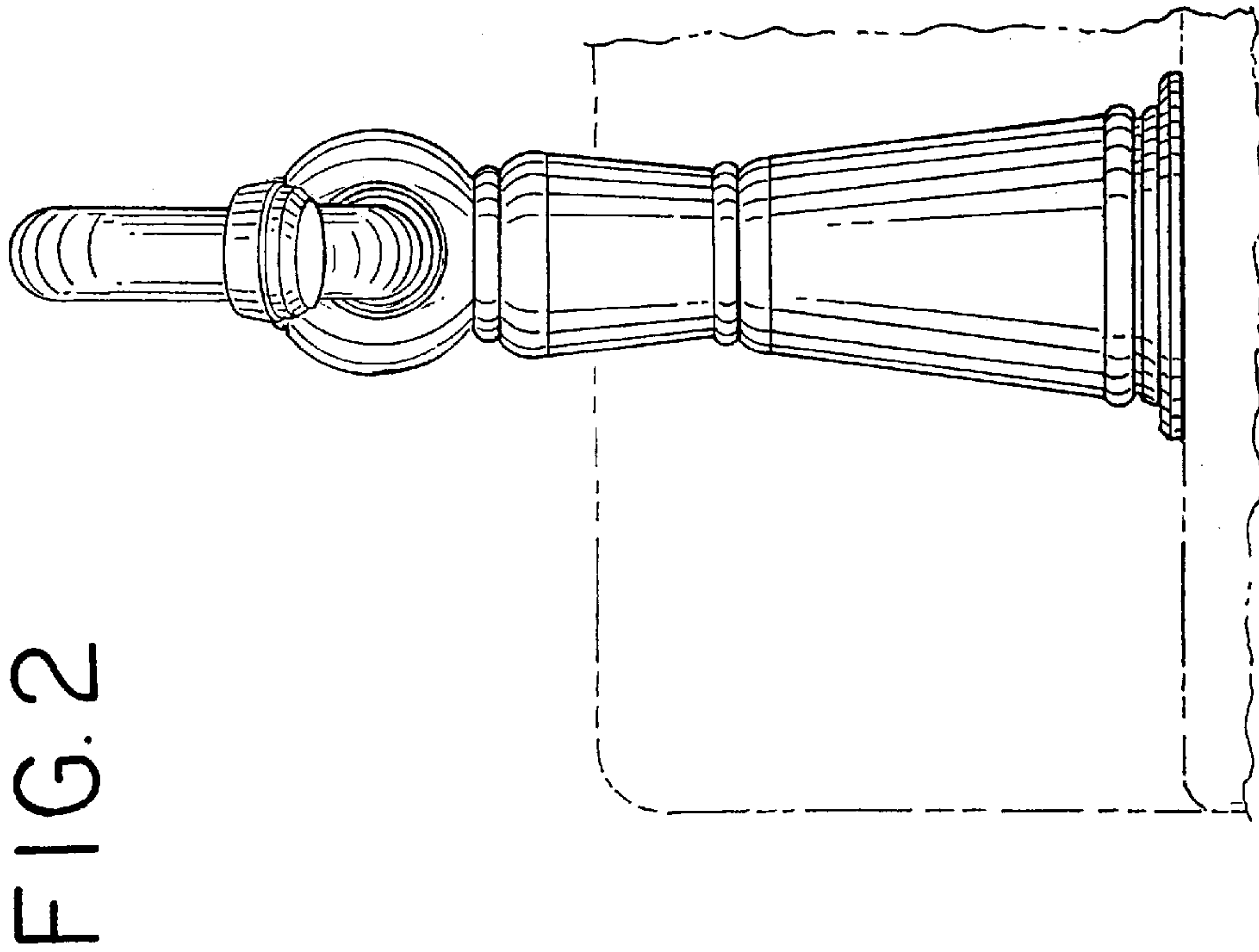
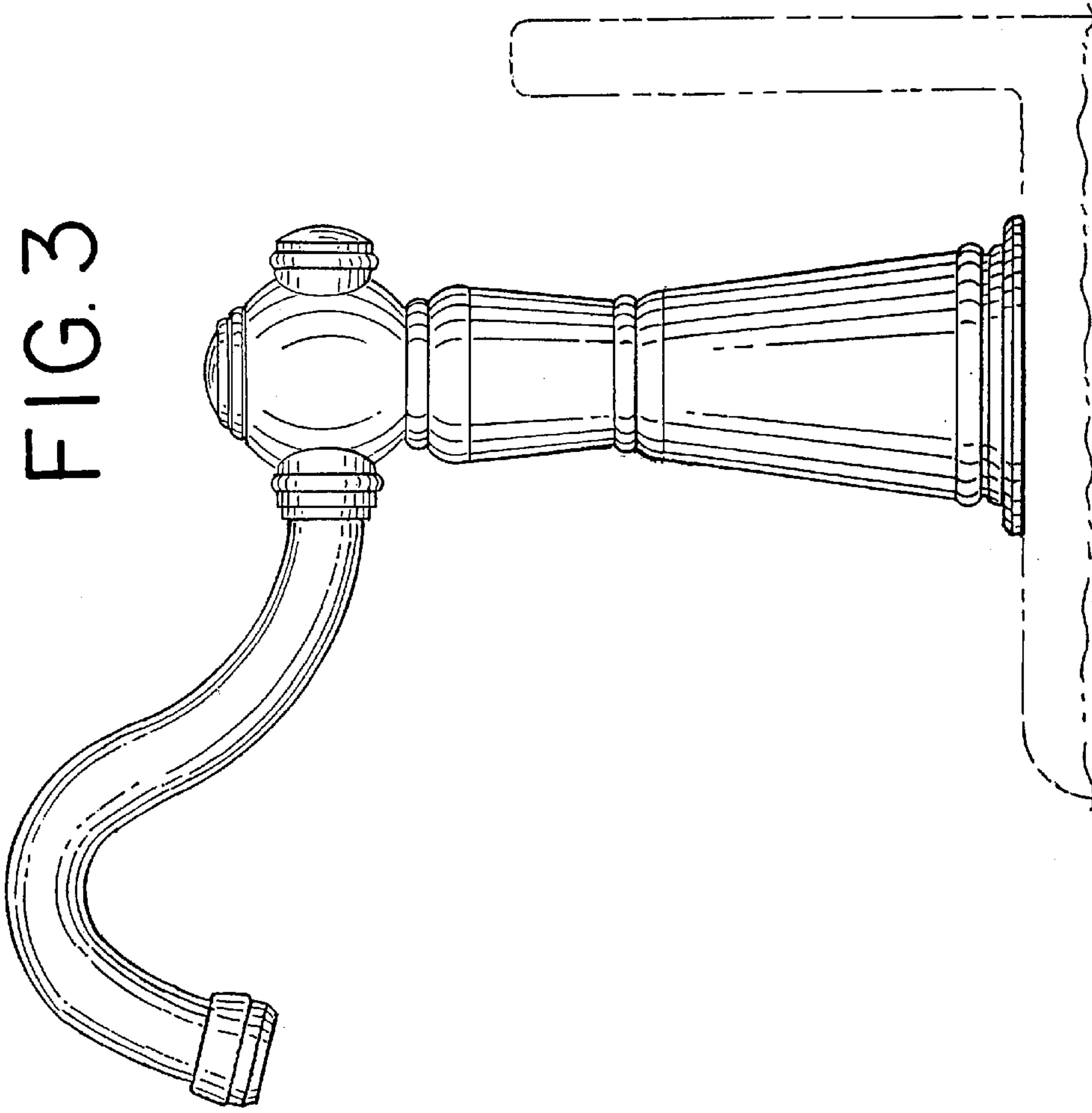


FIG. 1





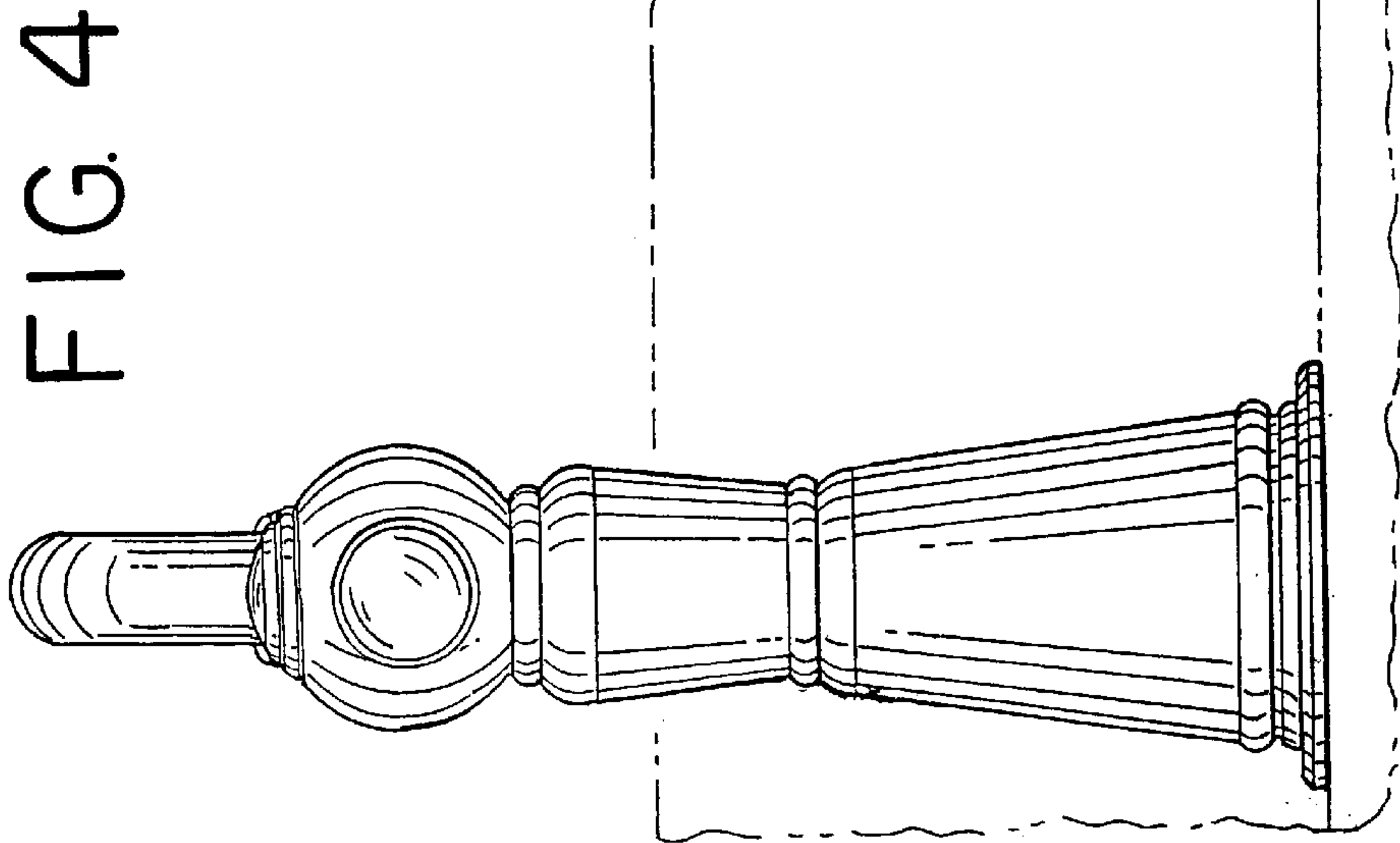
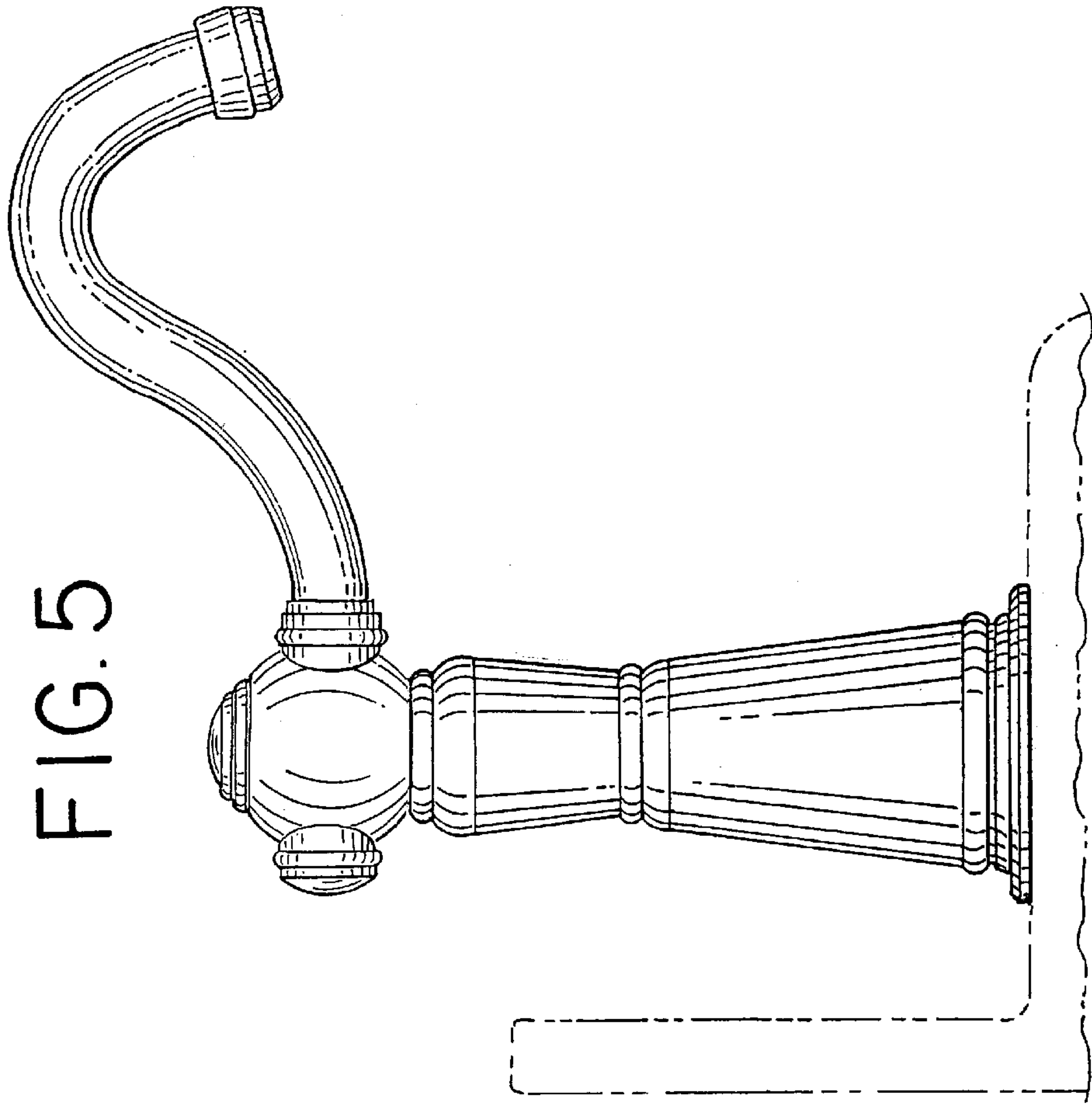


FIG. 6

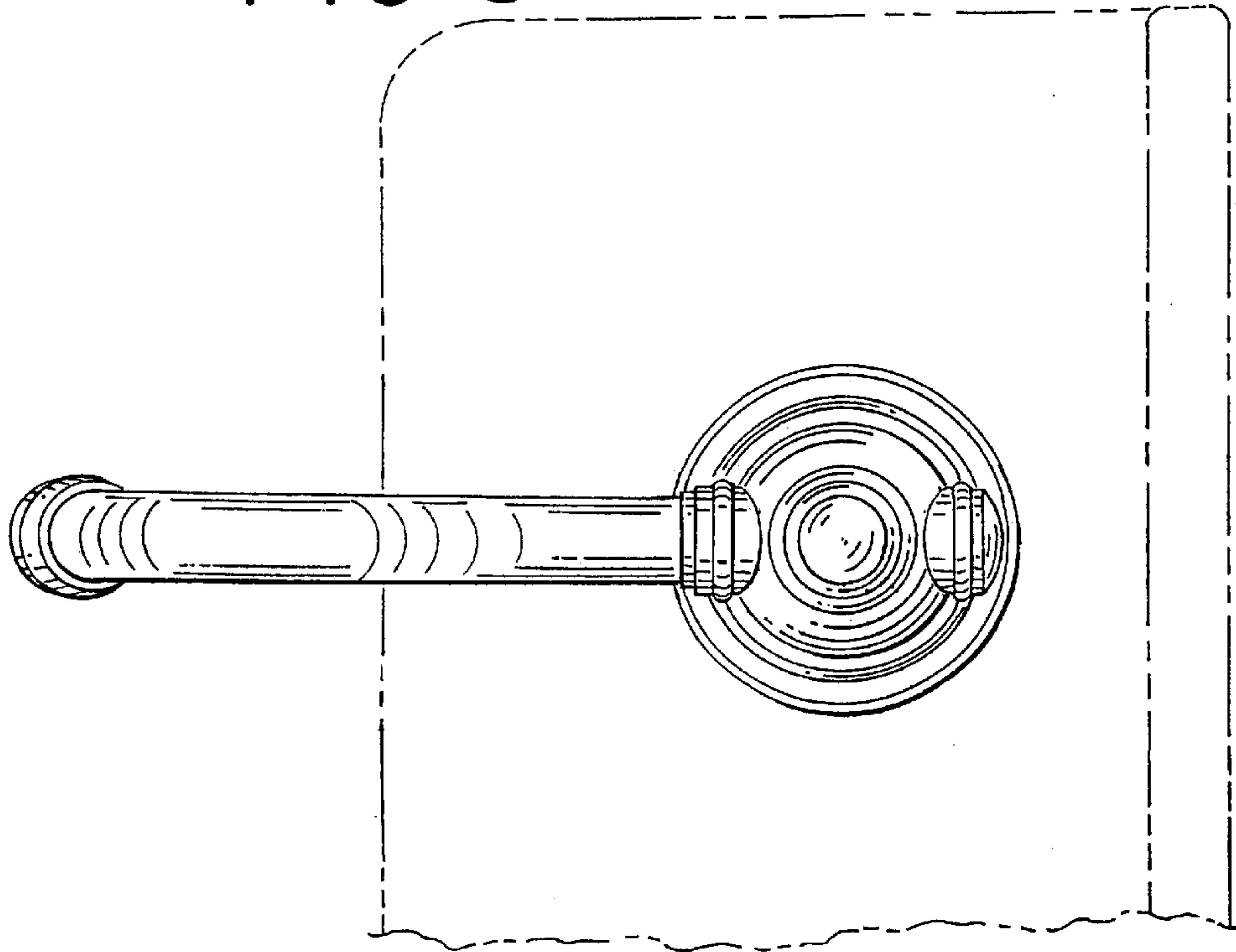


FIG. 7

