



US00D487497S

(12) **United States Design Patent**
Ti

(10) **Patent No.:** **US D487,497 S**

(45) **Date of Patent:** **** Mar. 9, 2004**

(54) **FILTER**

(76) Inventor: **Shih Ti Ti**, No. 362, Sec. 1,
Chung-Shan Rd., Ta-Chia Township,
Taichung Hsien (TW)

(**) Term: **14 Years**

(21) Appl. No.: **29/180,343**

(22) Filed: **Apr. 23, 2003**

(51) **LOC (7) Cl.** **23-01**

(52) **U.S. Cl.** **D23/209**

(58) **Field of Search** D23/207, 209;
210/282, 251

(56) **References Cited**

U.S. PATENT DOCUMENTS

5,503,742	A	*	4/1996	Farley	210/238
5,549,822	A	*	8/1996	Ferguson	210/238
D409,718	S	*	5/1999	Farley	D23/223
D438,593	S	*	3/2001	Jang	D23/209
6,325,930	B2	*	12/2001	Farley	210/282
6,392,172	B1	*	5/2002	Azema	200/61.08
6,537,455	B2	*	3/2003	Farley	210/251

* cited by examiner

Primary Examiner—Robin V. Taylor
(74) *Attorney, Agent, or Firm*—Harrison & Egbert

(57) **CLAIM**

I claim the ornamental design for a filter, as shown and described.

DESCRIPTION

FIG. 1 is an upper perspective view of the filter showing my design.

FIG. 2 is a front view thereof;

FIG. 3 is a back view thereof;

FIG. 4 is a side view thereof;

FIG. 5 is an opposite side view thereof;

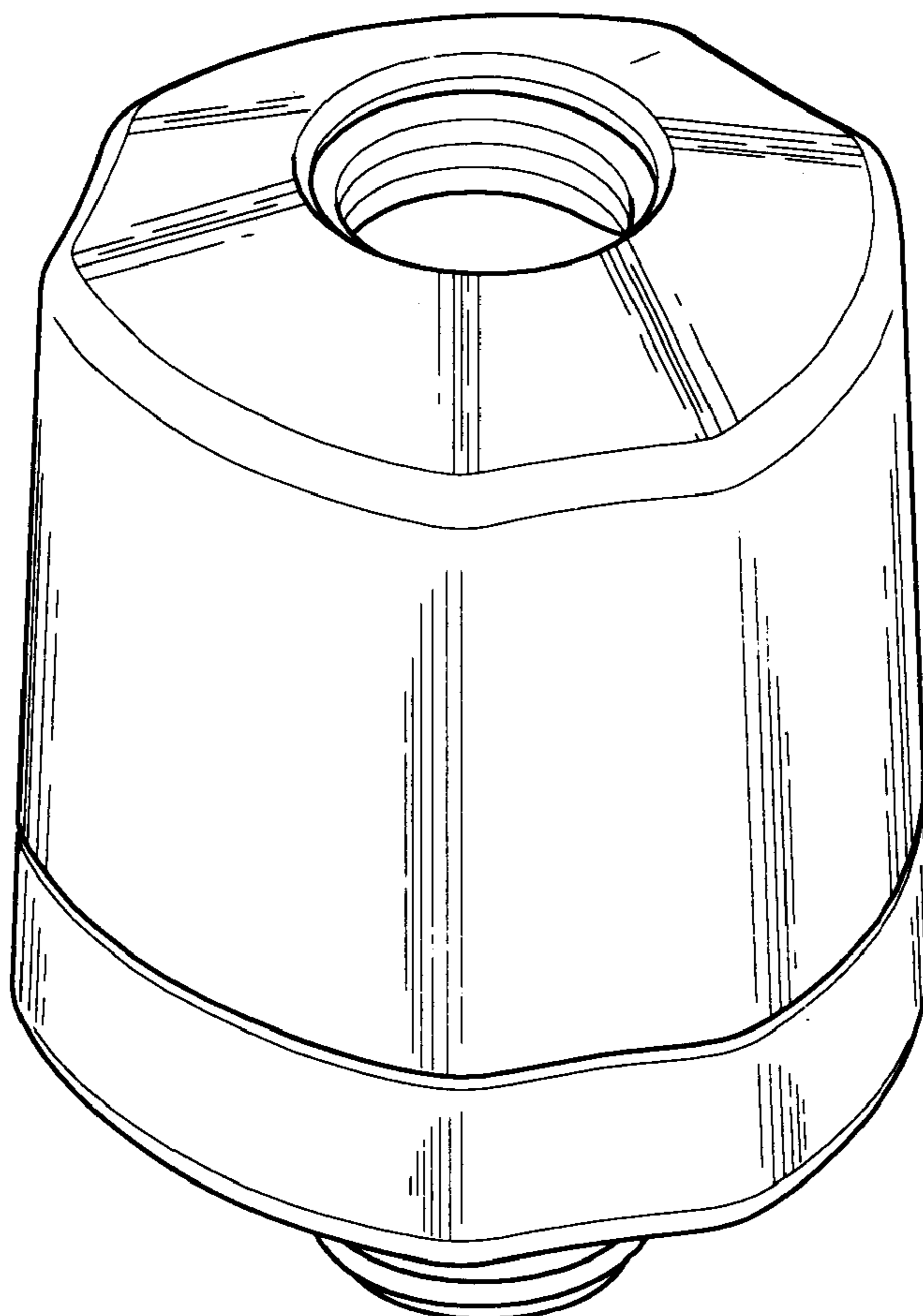
FIG. 6 is a top view thereof;

FIG. 7 is a bottom view thereof; and,

FIG. 8 is a perspective view showing attachment to a shower head.

The broken lines are for illustrative purposes and form no part of the claimed design.

1 Claim, 5 Drawing Sheets



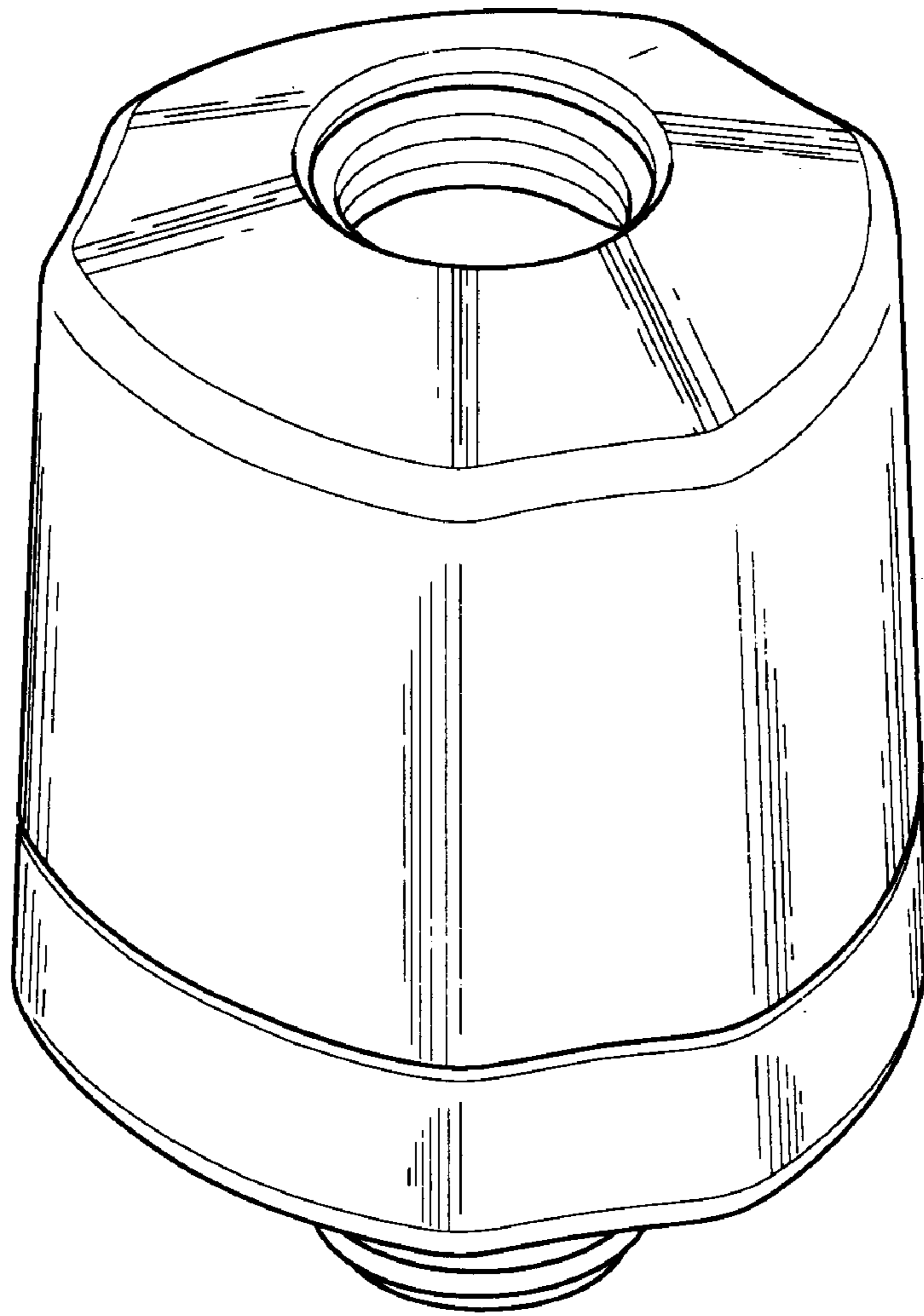


FIG.1

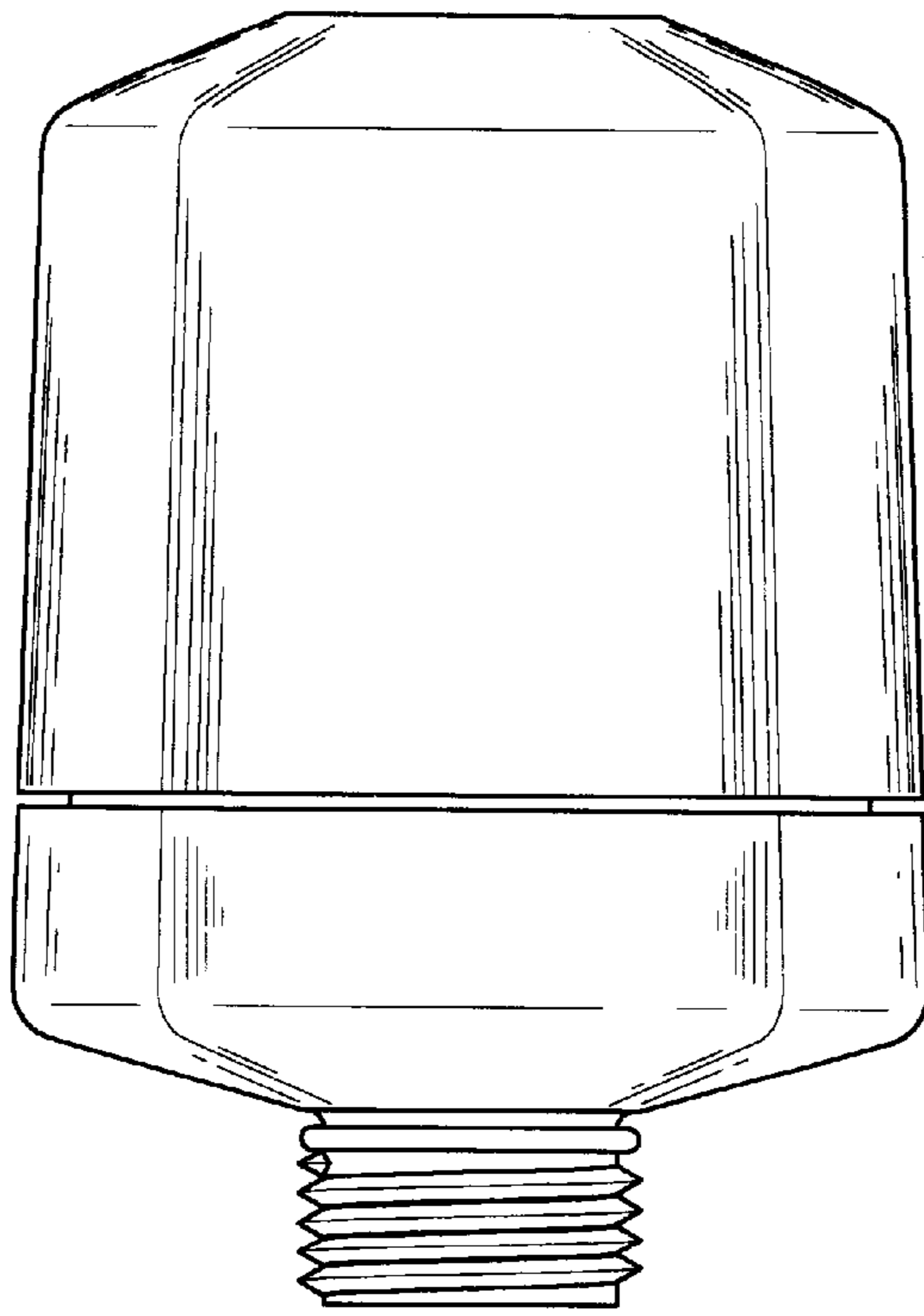


FIG. 2

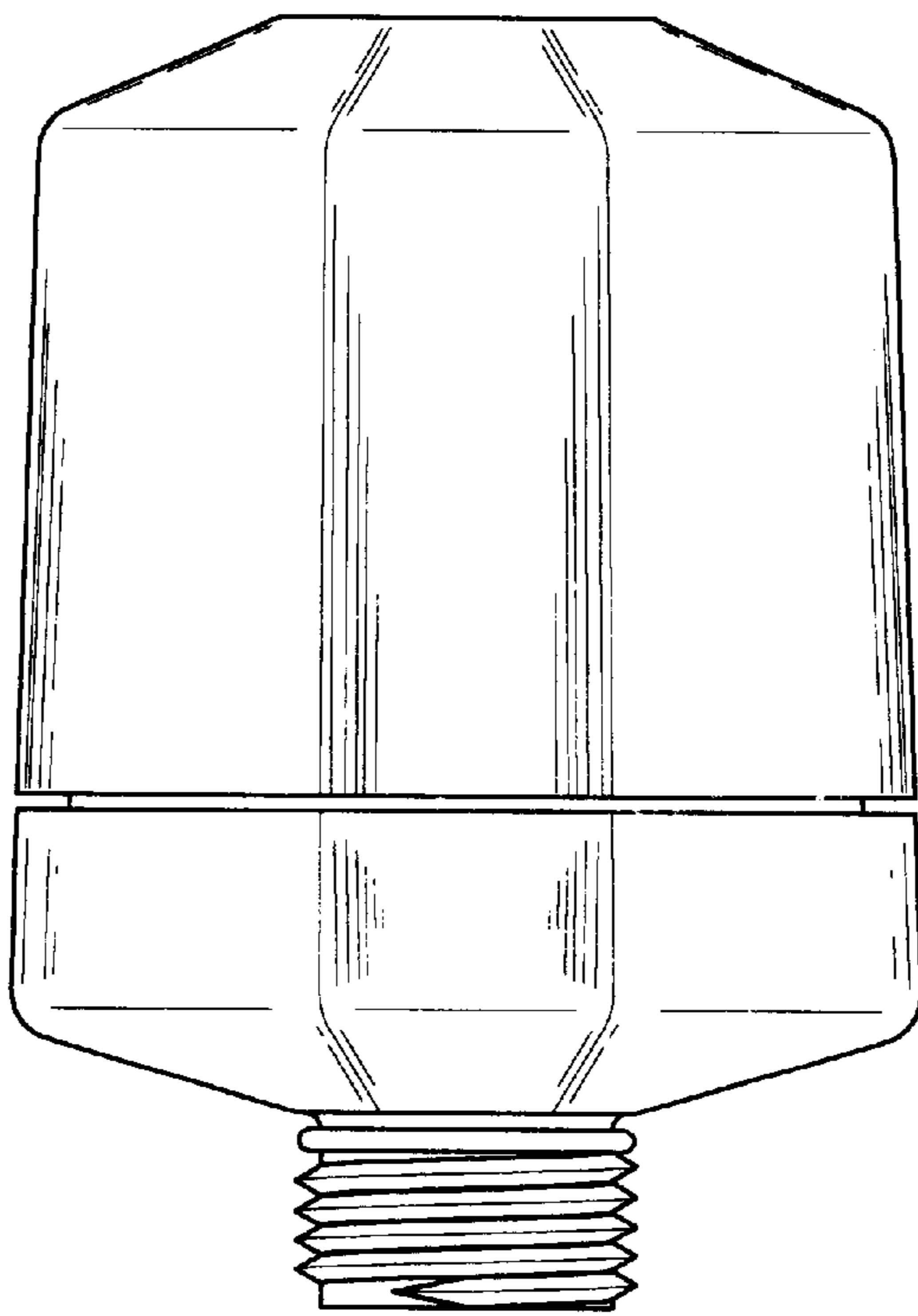


FIG. 3

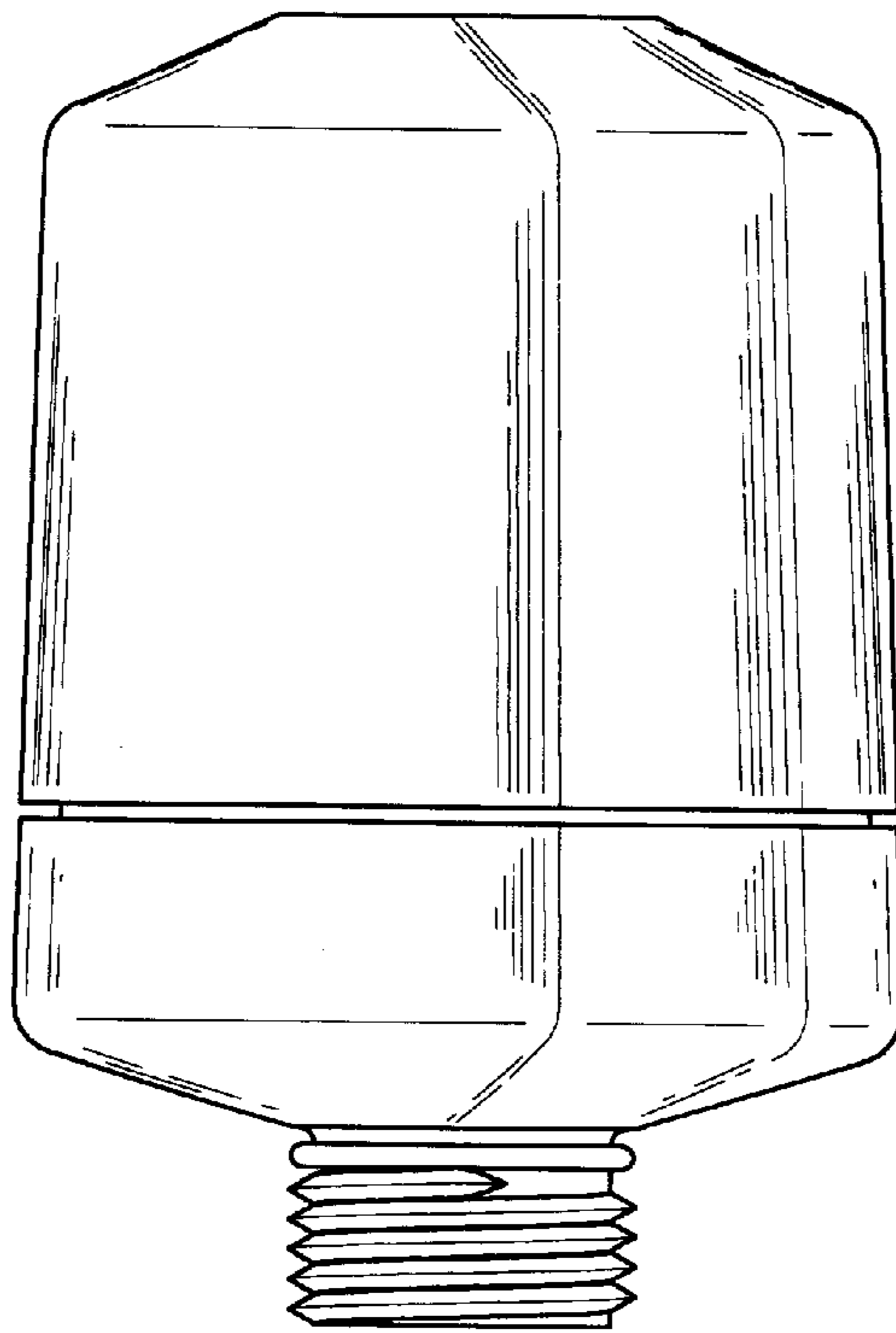


FIG. 4

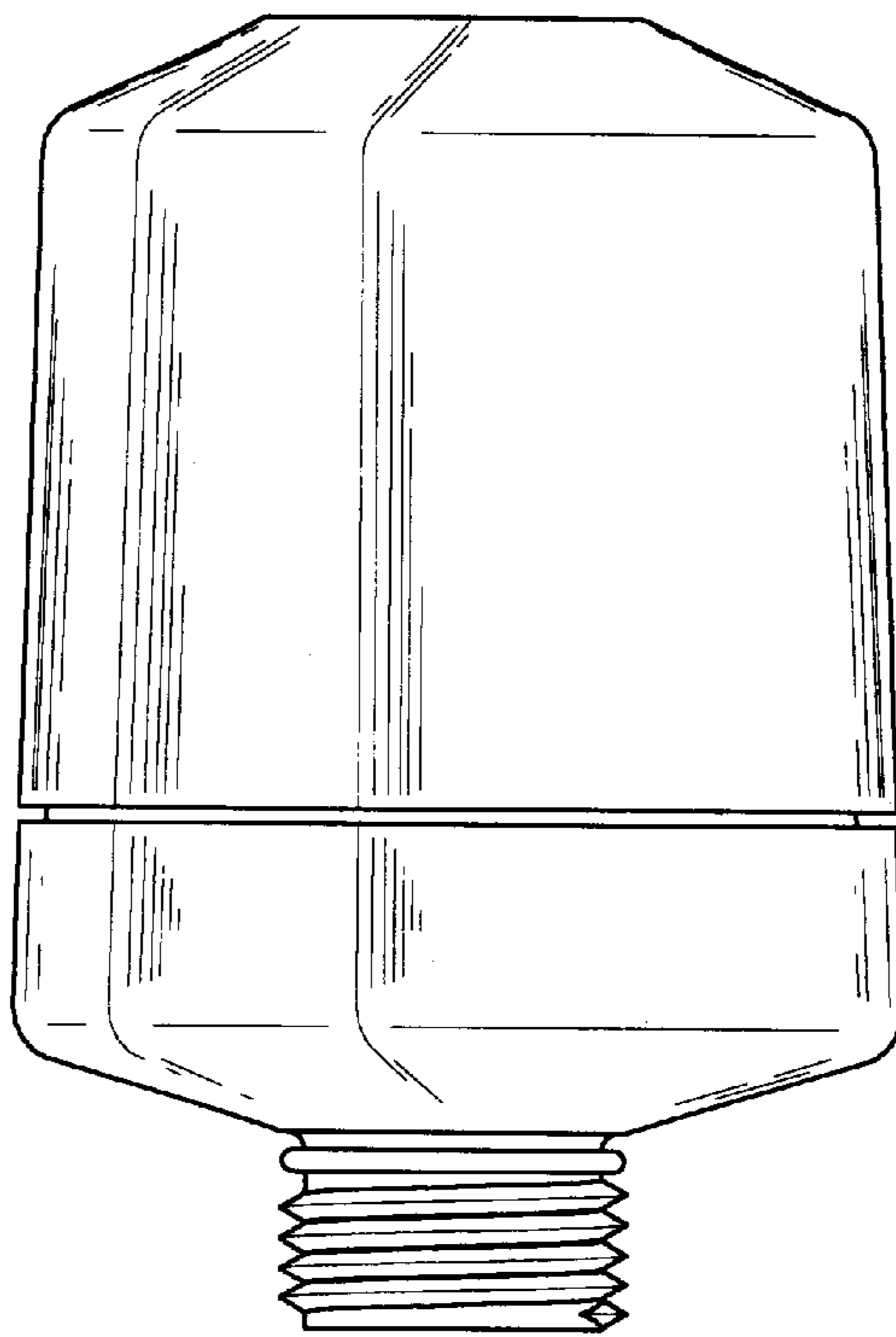


FIG. 5

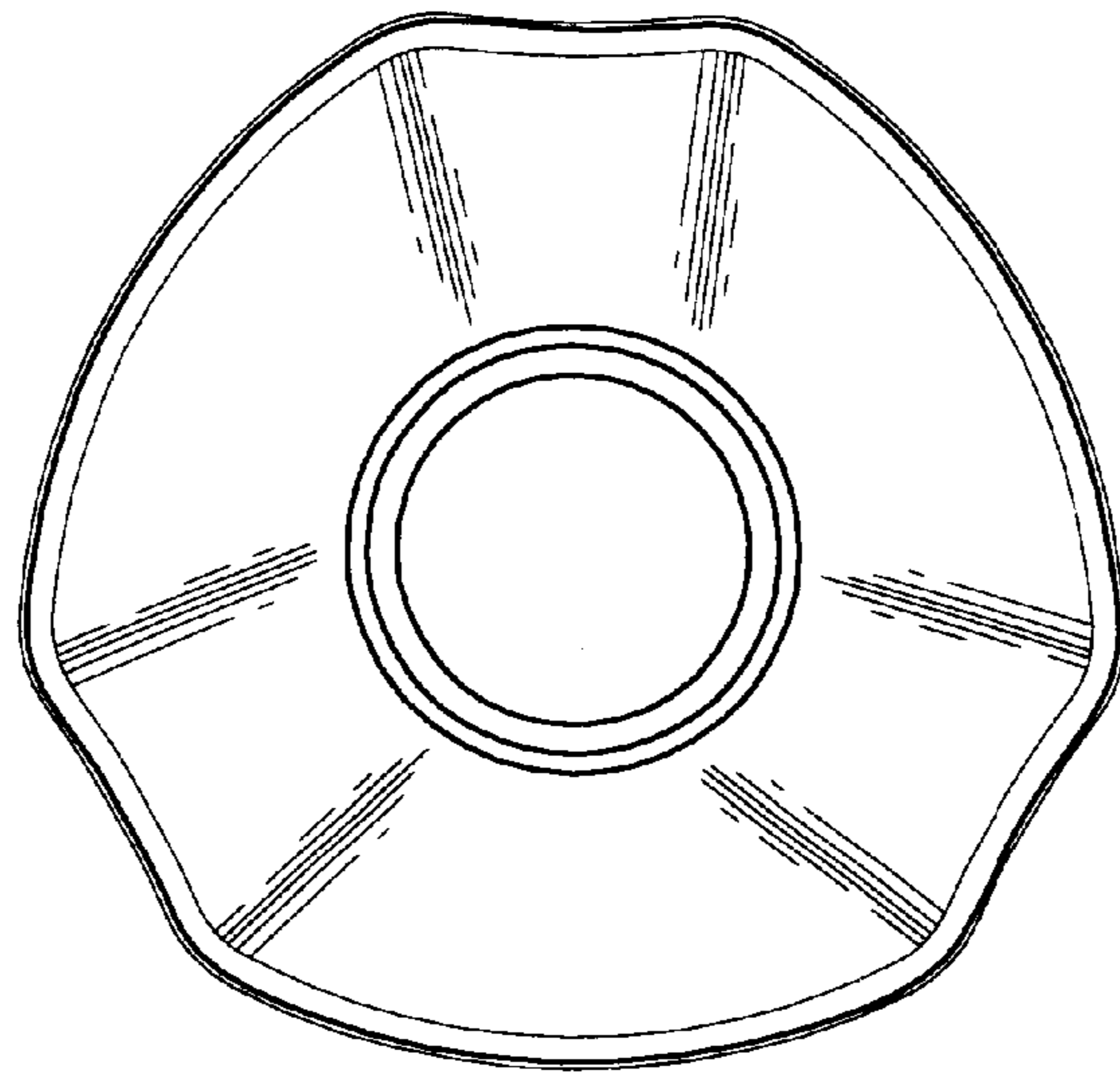


FIG. 6

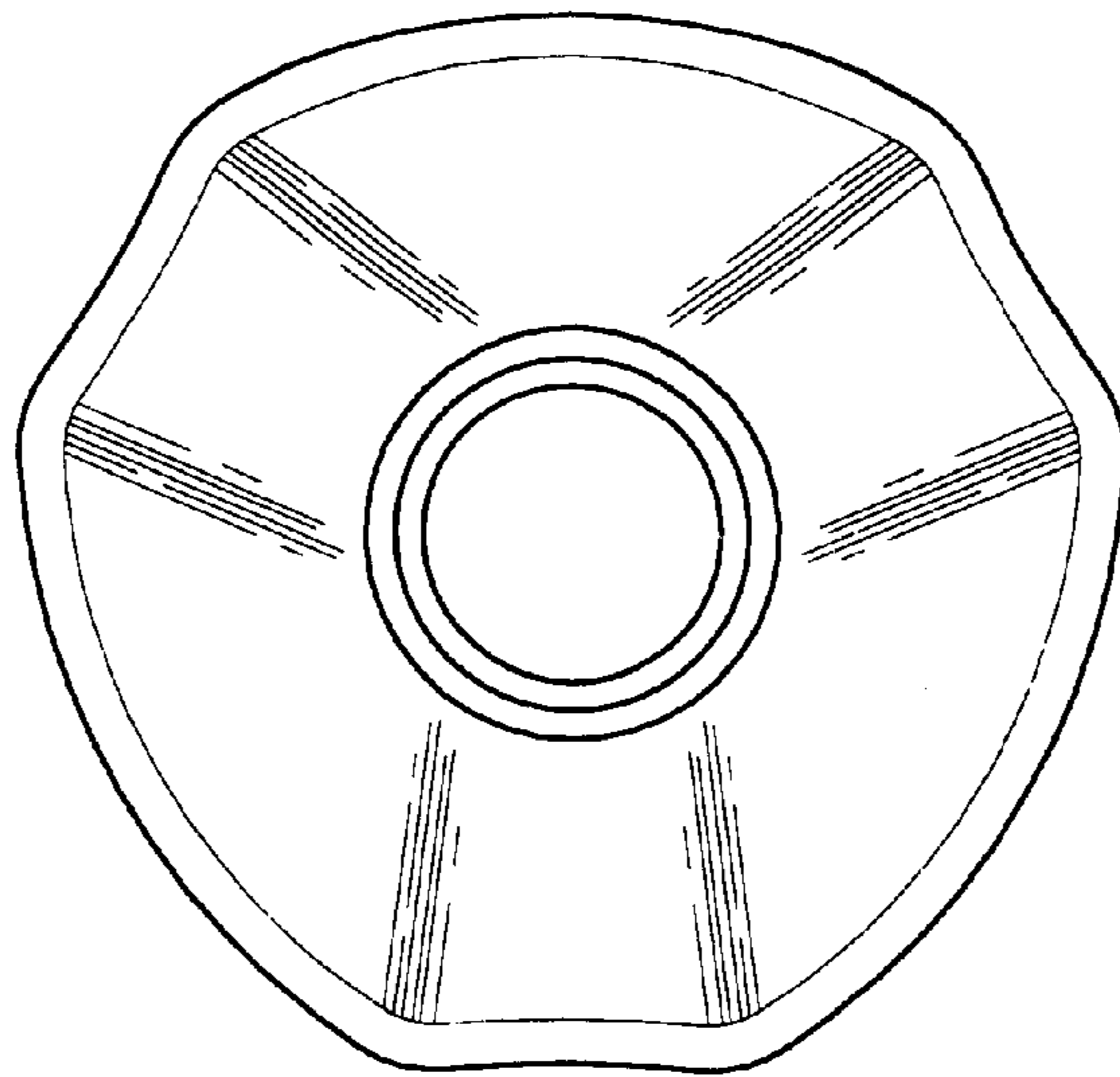


FIG. 7

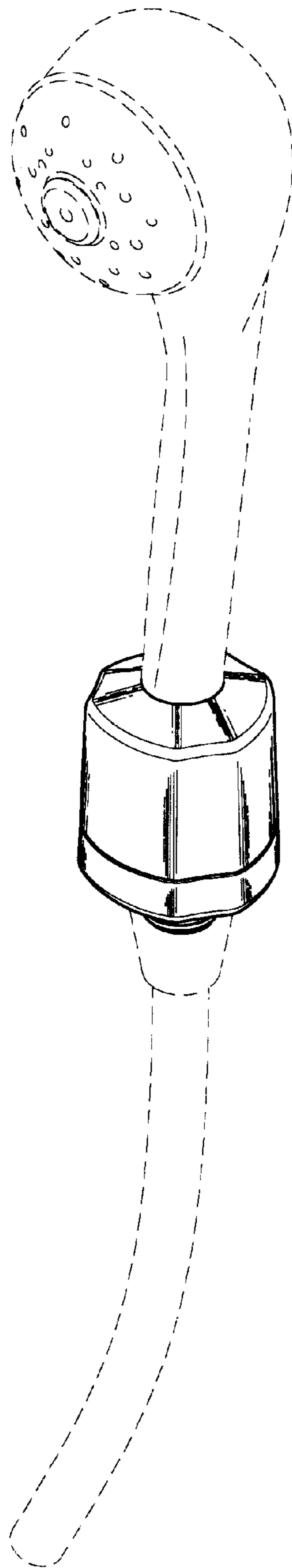


FIG. 8