



US00D487496S

(12) **United States Design Patent**  
**Iwabuchi**

(10) **Patent No.:** **US D487,496 S**  
(45) **Date of Patent:** **\*\* Mar. 9, 2004**

(54) **FISHING REEL BODY**

(75) Inventor: **Masakazu Iwabuchi**, Tondabayashi (JP)

(73) Assignee: **Shimano Inc.**, Osaka (JP)

(\*\*) Term: **14 Years**

(21) Appl. No.: **29/166,756**

(22) Filed: **Sep. 5, 2002**

(30) **Foreign Application Priority Data**

Mar. 13, 2002 (JP) ..... 2002-006558

(51) **LOC (7) Cl.** ..... **22-05**

(52) **U.S. Cl.** ..... **D22/141**

(58) **Field of Search** ..... D22/141, 139, D22/140, 137, 138; 242/370, 234-240

(56) **References Cited**

**U.S. PATENT DOCUMENTS**

- D401,996 S \* 12/1998 Asano et al. .... D22/141
- D437,026 S \* 1/2001 Tao ..... D22/141
- D460,516 S \* 7/2002 Yoshikawa et al. .... D22/141
- D467,299 S \* 12/2002 Kondo et al. .... D22/141

\* cited by examiner

*Primary Examiner*—Catherine R. Oliver

(74) *Attorney, Agent, or Firm*—Shinju Global IP Counselors, LLP

(57) **CLAIM**

The ornamental design for a fishing reel body, as shown and described.

**DESCRIPTION**

FIG. 1 is a front elevational view of a fishing reel body in accordance with my new design;

FIG. 2 is a rear elevational view of the fishing reel body in accordance with my new design;

FIG. 3 is a top plan view of the fishing reel body vi in accordance with my new design;

FIG. 4 is a bottom plan view of the fishing reel body in accordance with my new design;

FIG. 5 is a right side elevational view of the fishing reel body in accordance with my new design;

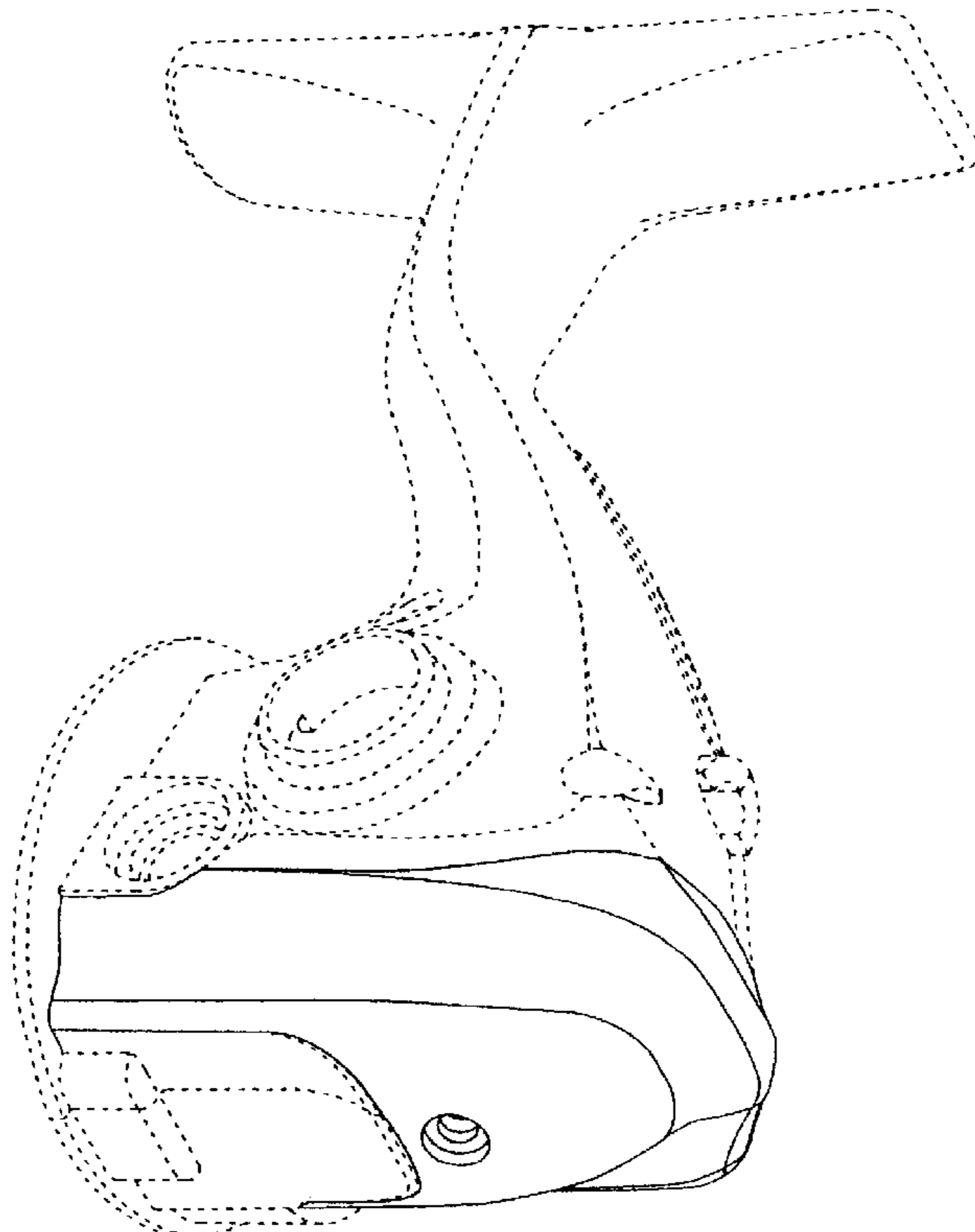
FIG. 6 is a left side elevational view of the fishing reel body in accordance with my new design;

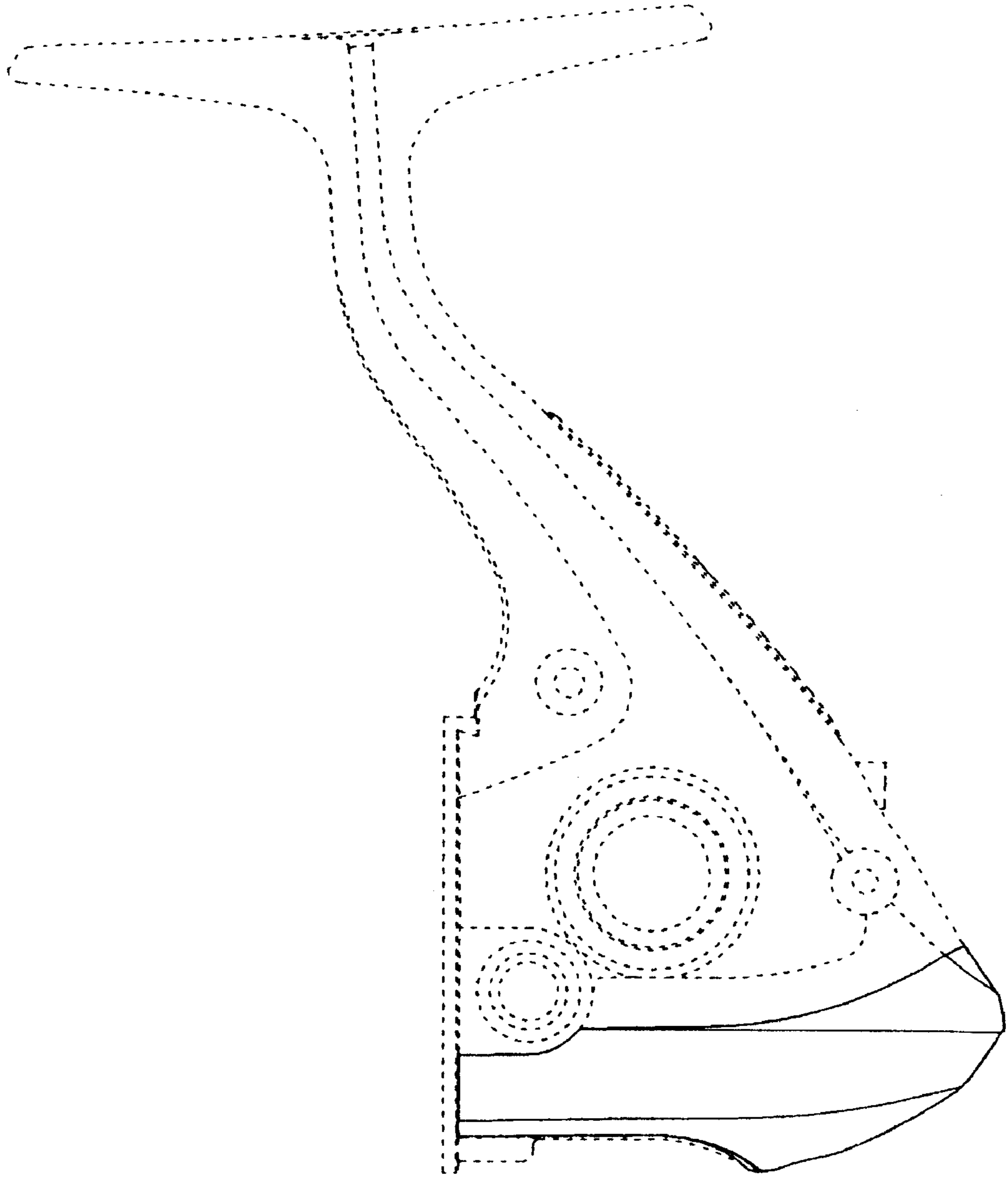
FIG. 7 is a cross sectional view of the fishing reel body in accordance with my new design viewed in the direction of arrow 7 in FIG. 3; and,

FIG. 8 is a perspective view of the fishing reel body in accordance with my new design.

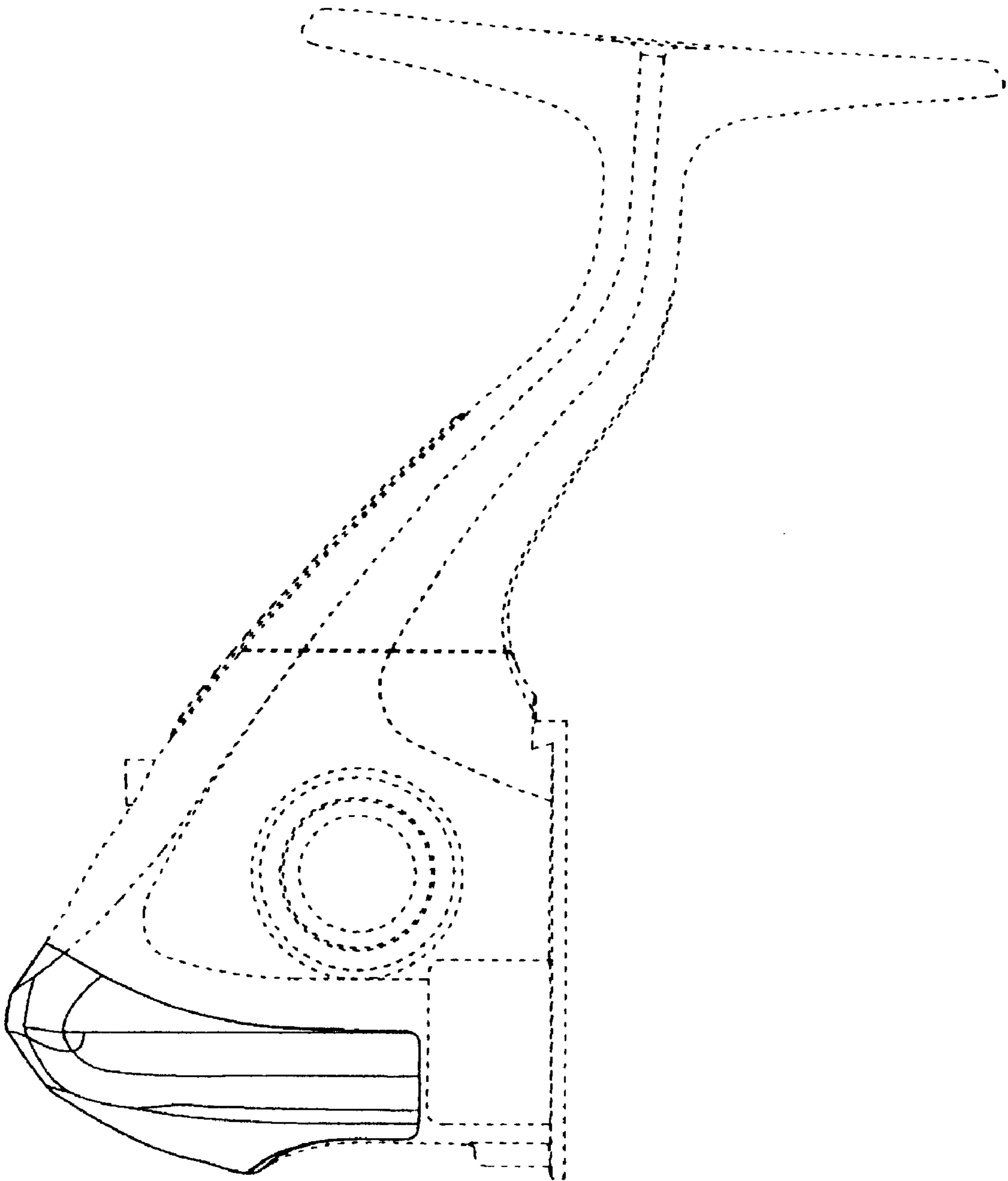
The broken line showing the environment (the remaining structure of the fishing reel body) in the Figures is for illustrative purposes only and forms no part of the claimed design.

**1 Claim, 7 Drawing Sheets**

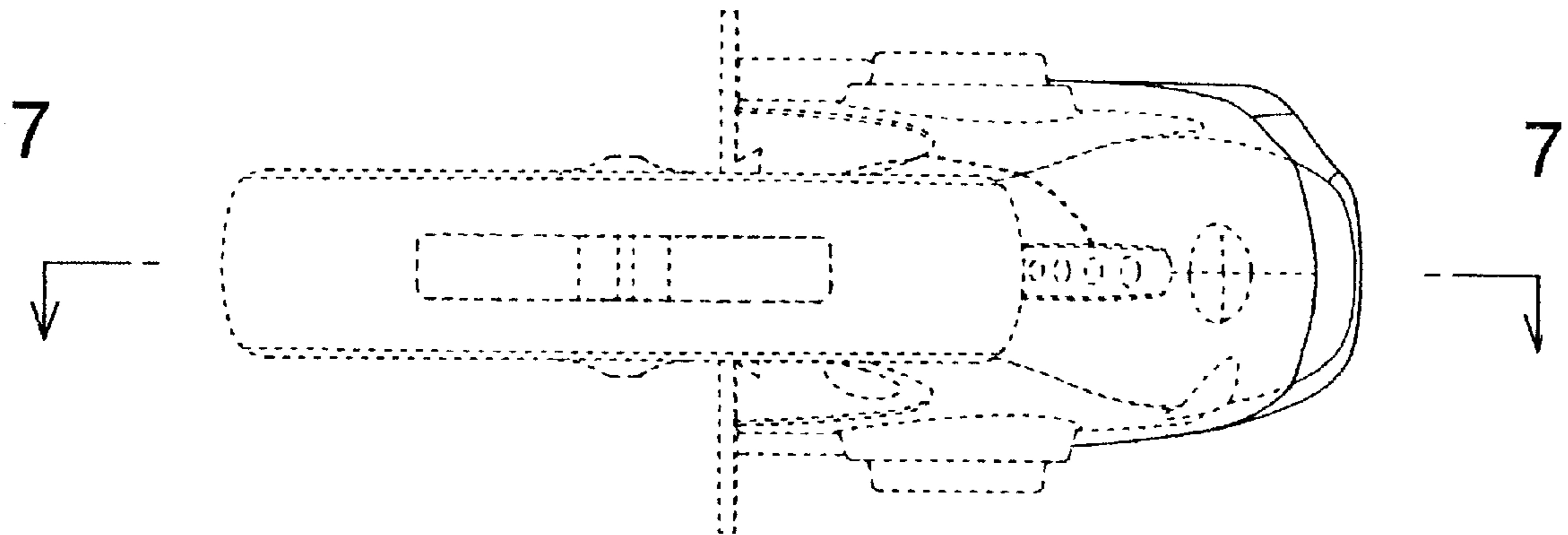




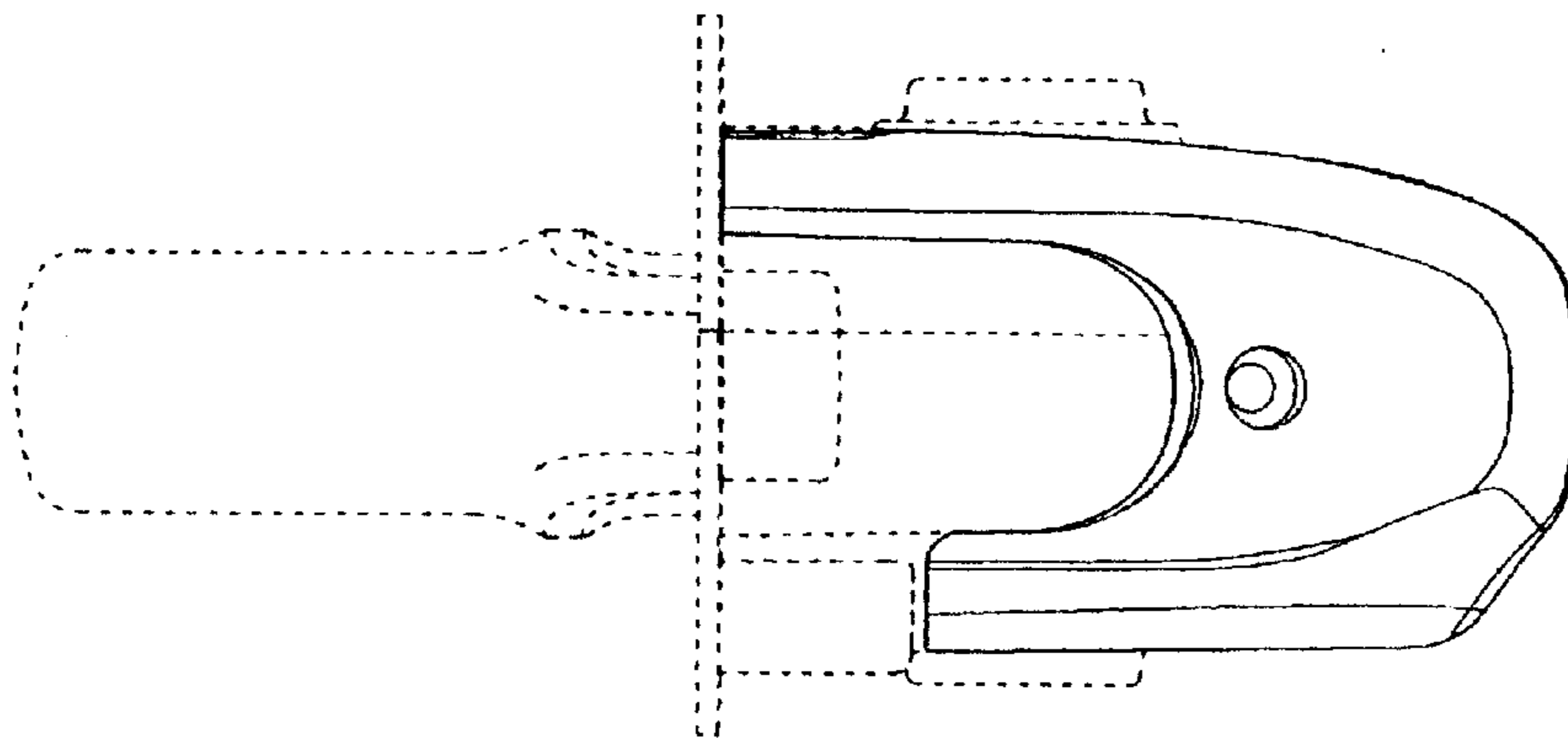
**FIGURE 1**



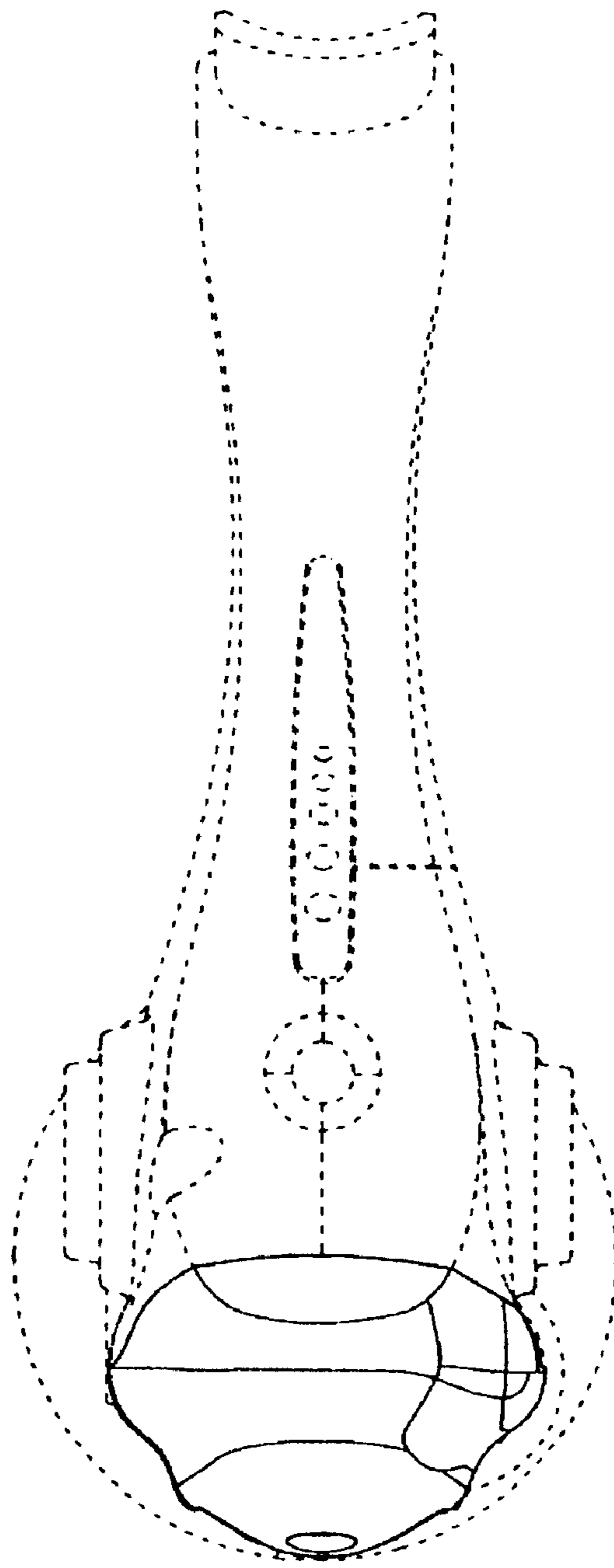
**FIGURE 2**



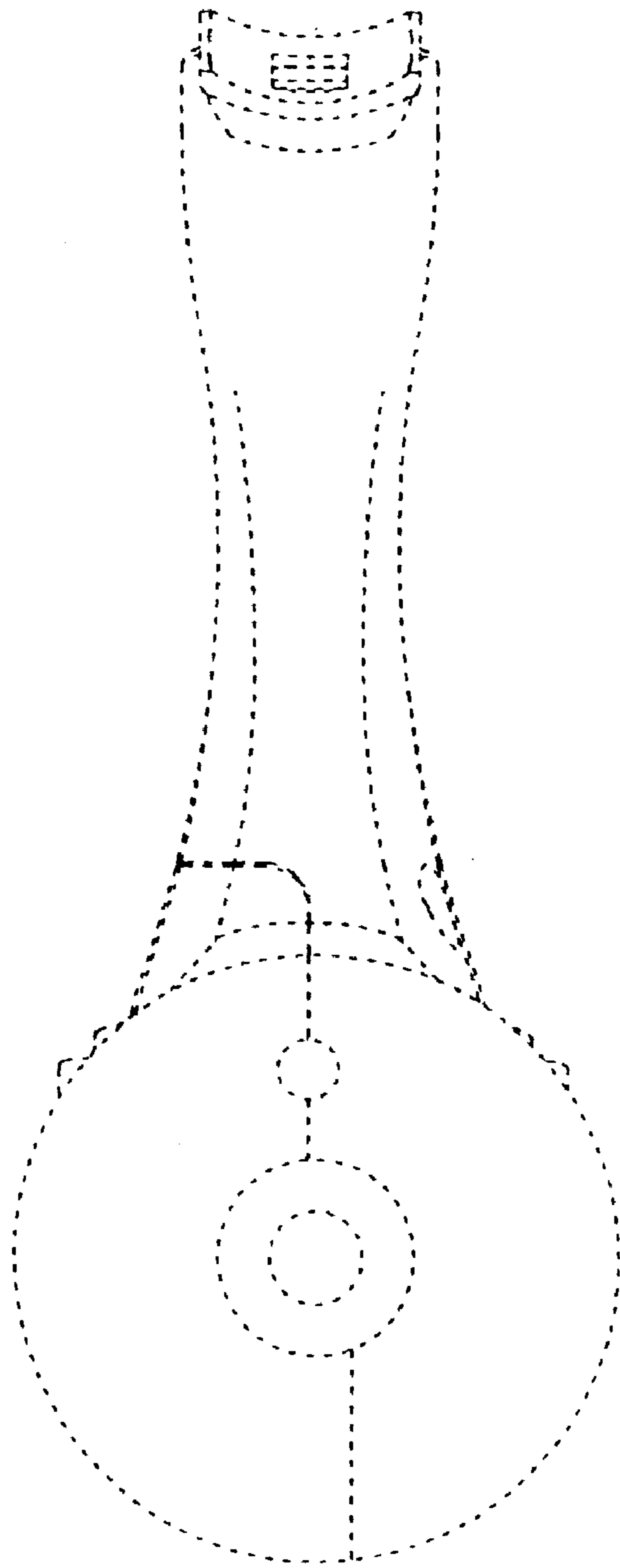
**FIGURE 3**



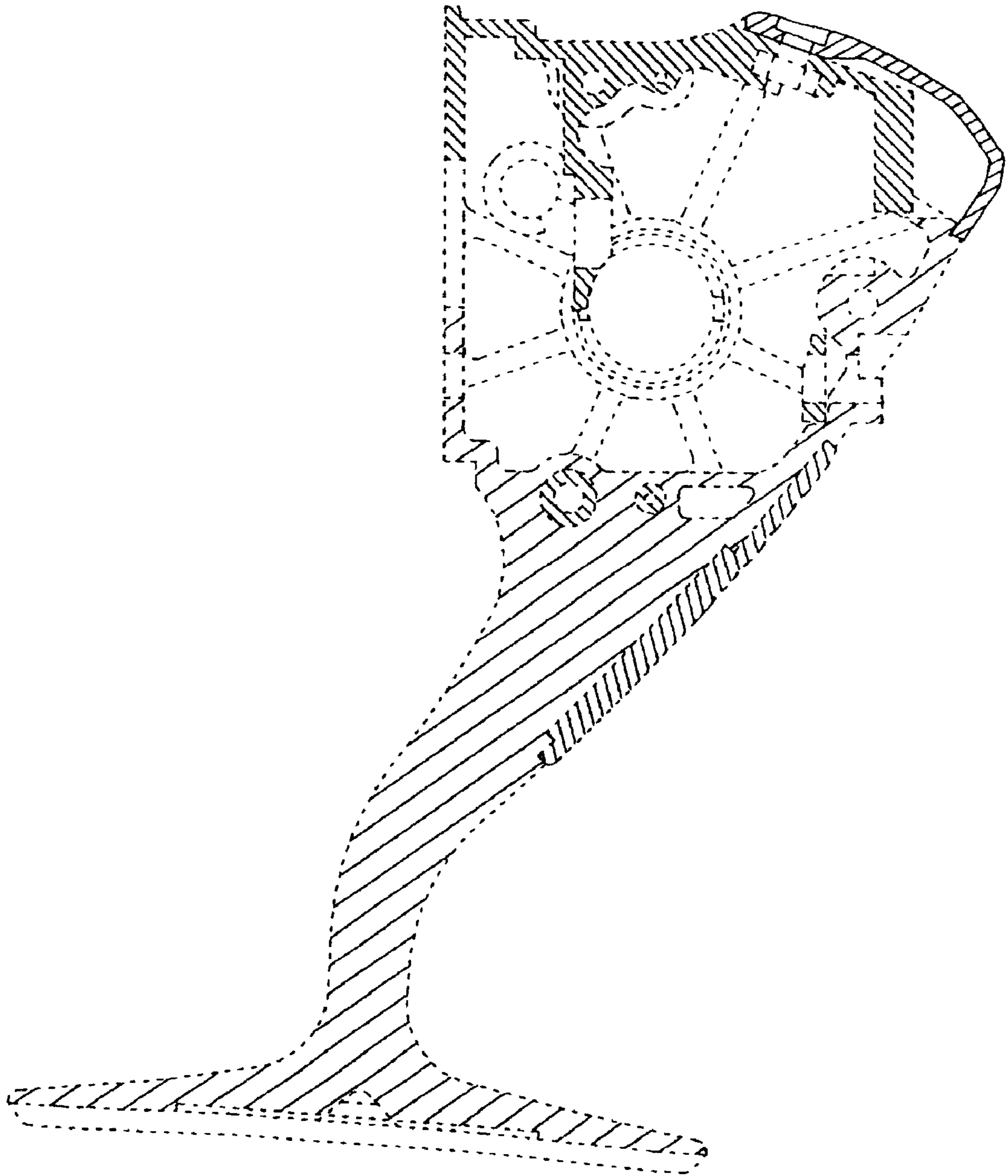
**FIGURE 4**



**FIGURE 5**

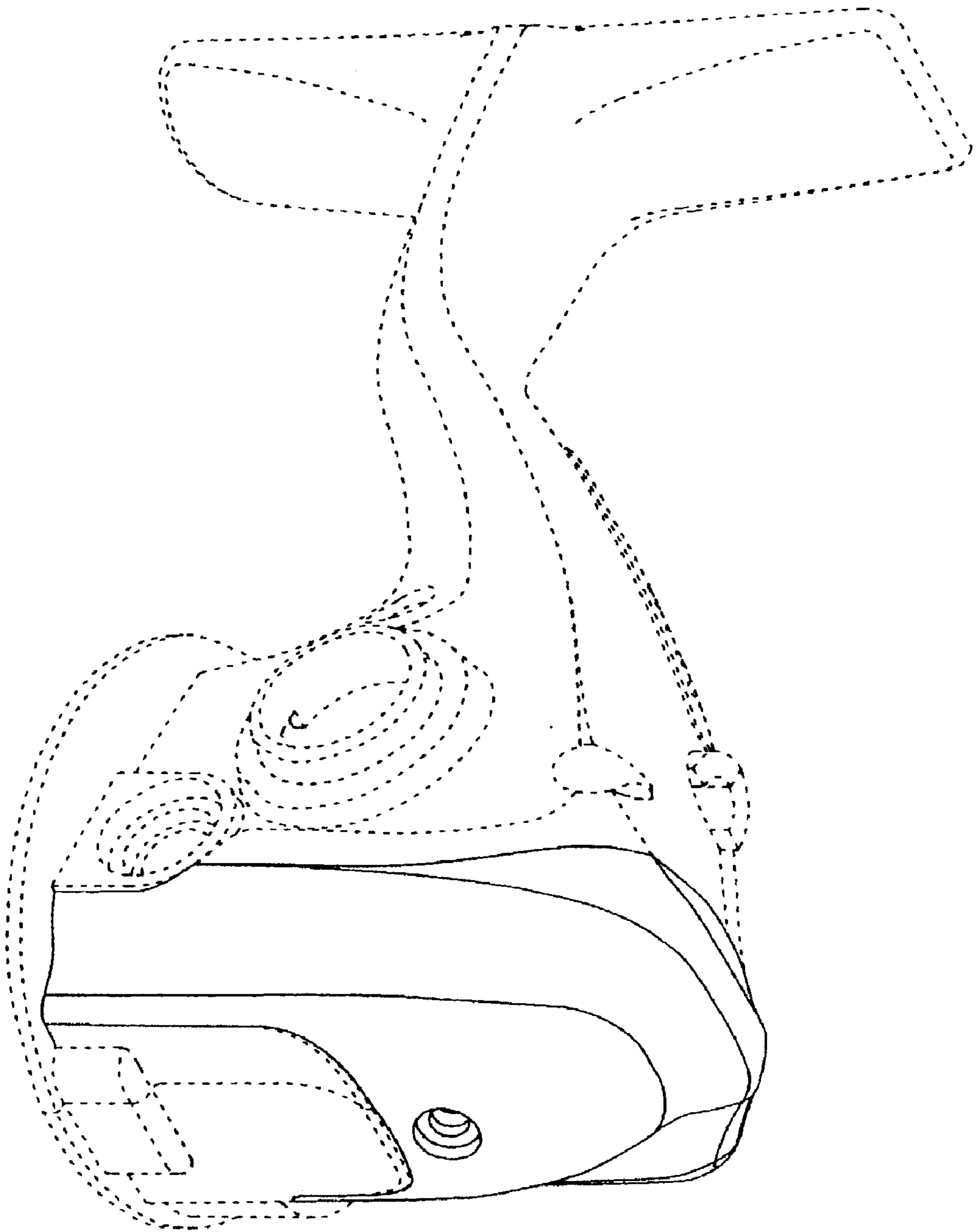


**FIGURE 6**



**FIGURE 7**





**FIGURE 8**