



US00D487485S

(12) **United States Design Patent**
Niu

(10) **Patent No.:** **US D487,485 S**

(45) **Date of Patent:** **** Mar. 9, 2004**

(54) **TOY CAMERA**

(76) **Inventor:** **Li-Yang Niu**, 3F-2, No. 381, Sec. 3,
Dungshing Rd., Taichung (TW)

(**) **Term:** **14 Years**

(21) **Appl. No.:** **29/182,569**

(22) **Filed:** **May 29, 2003**

(51) **LOC (7) Cl.** **21-01**

(52) **U.S. Cl.** **D21/514**

(58) **Field of Search** D21/514; D16/200-206,
D16/208, 209, 216-218; 354/64, 65, 82,
293, 288; 446/408, 175; 222/505

(56) **References Cited**

U.S. PATENT DOCUMENTS

2,939,244	A	*	6/1960	Grimes et al.	446/408
4,141,476	A	*	2/1979	Rech	222/505
5,158,492	A	*	10/1992	Rudell et al.	446/175
D332,810	S	*	1/1993	Fujieda et al.	D21/514
D356,587	S	*	3/1995	Shuler et al.	D16/218

D383,769	S	*	9/1997	Ogles	D16/204
D438,229	S	*	2/2001	Kawai	D16/218
D476,675	S	*	7/2003	Tran et al.	D16/218

* cited by examiner

Primary Examiner—Raphael Barkai
(74) *Attorney, Agent, or Firm*—Birch, Stewart, Kolasch & Birch, LLP

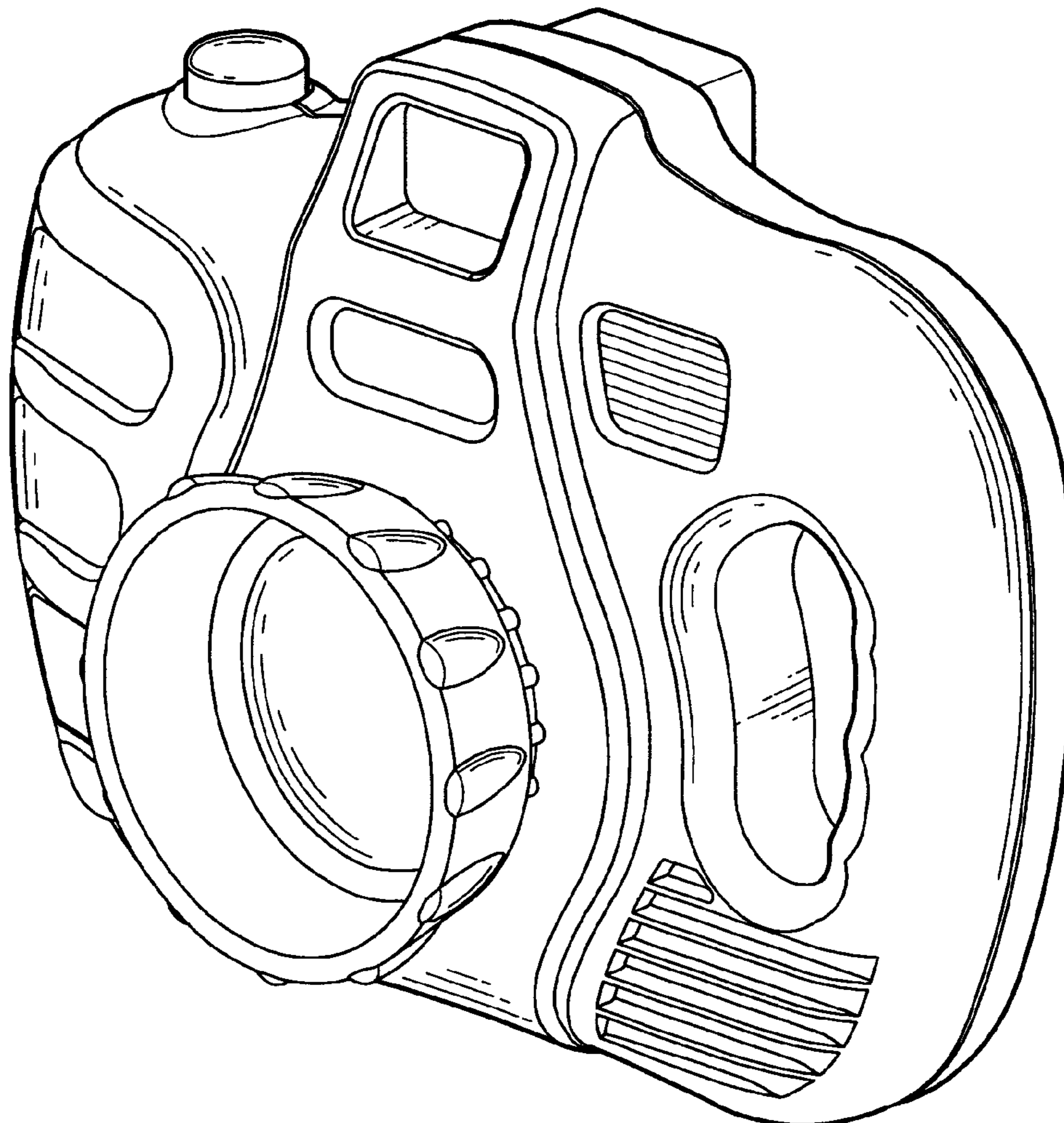
(57) **CLAIM**

The ornamental design for toy camera, as shown and described.

DESCRIPTION

FIG. 1 is a perspective view of toy camera showing my new design thereof;
FIG. 2 is a front side elevational view thereof;
FIG. 3 is a rear side elevational view thereof;
FIG. 4 is a left side elevational view thereof;
FIG. 5 is a right side elevational view thereof;
FIG. 6 is a top plan view thereof; and,
FIG. 7 is a bottom plan view thereof.

1 Claim, 7 Drawing Sheets



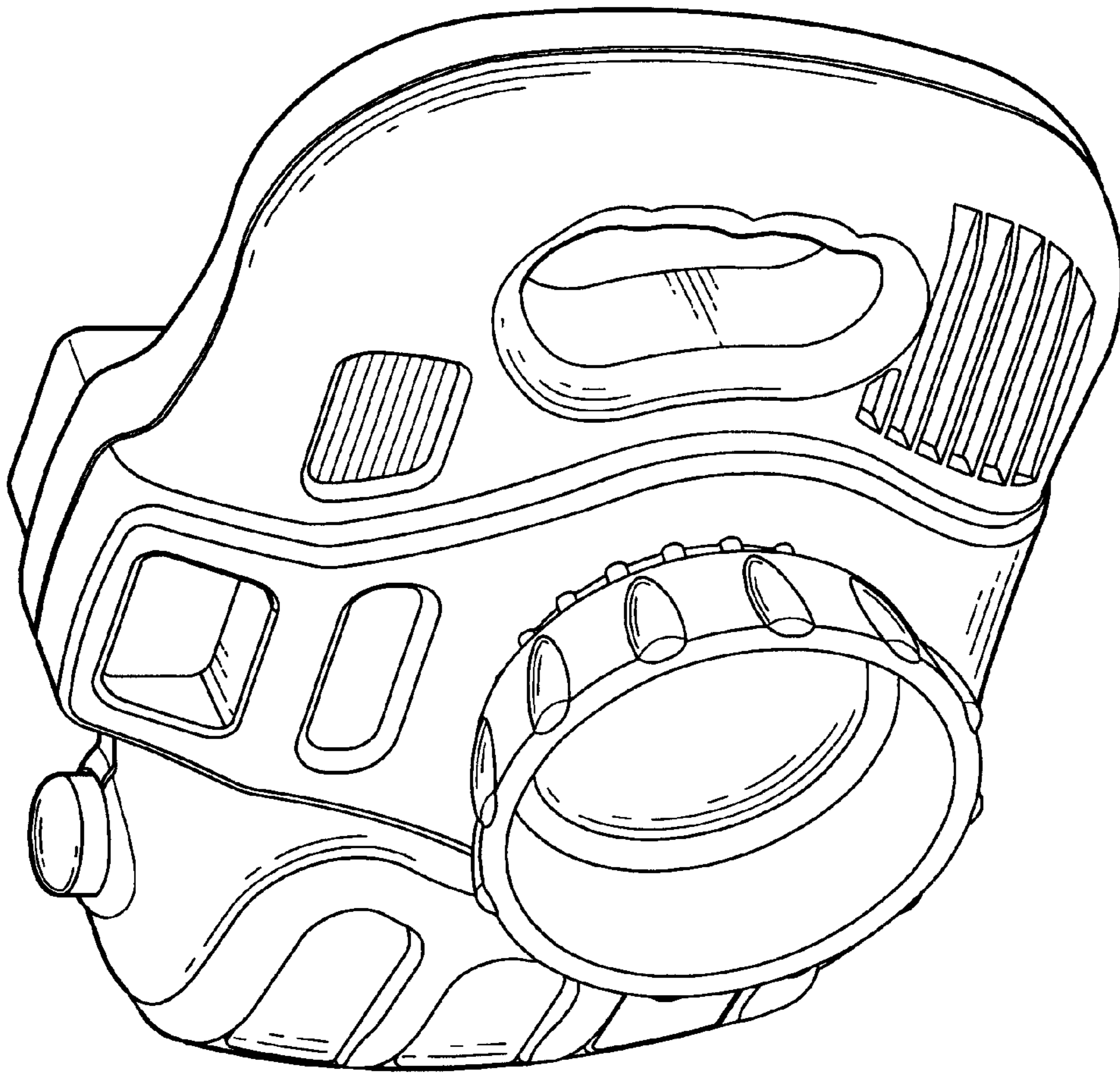


Fig. 1

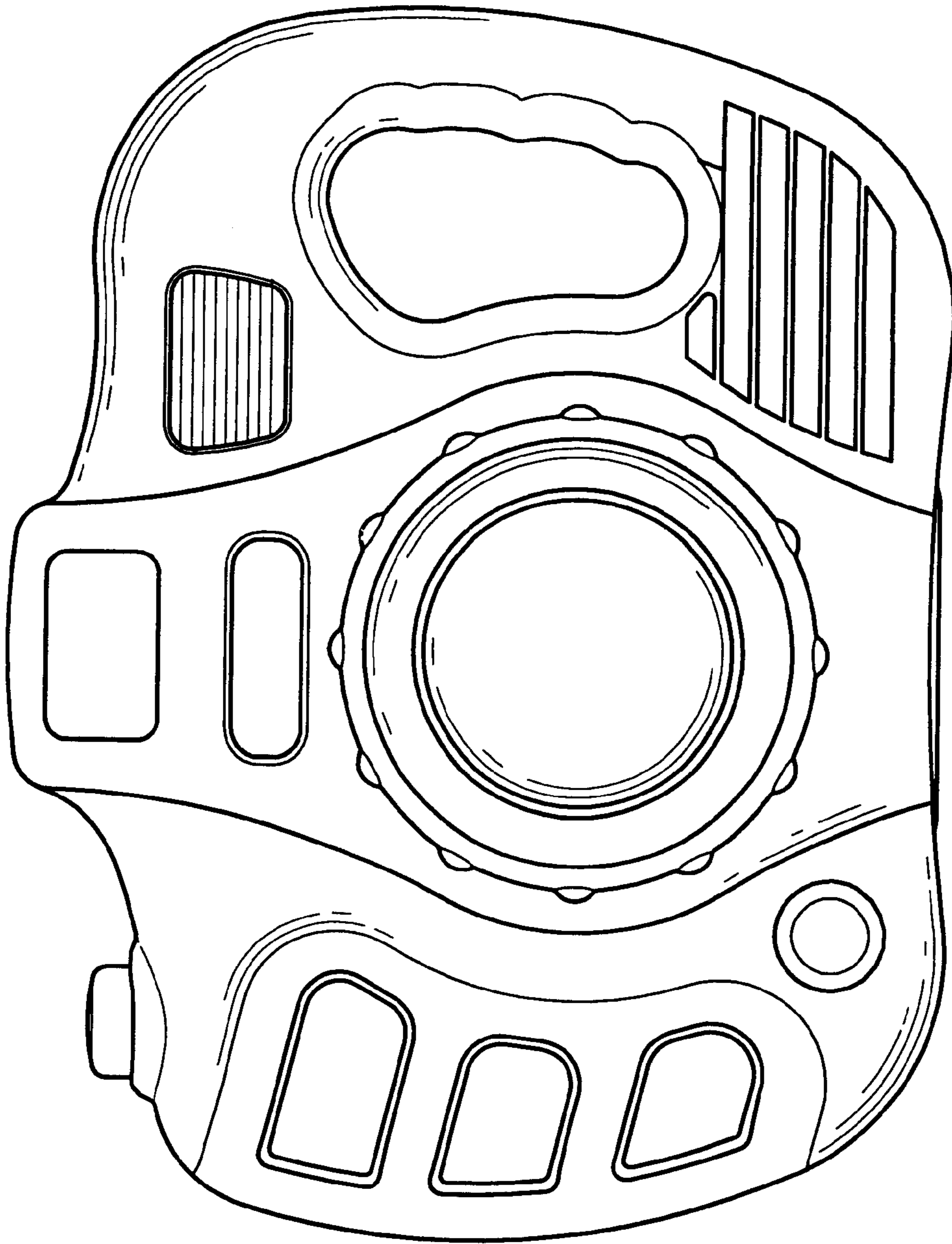


Fig. 2

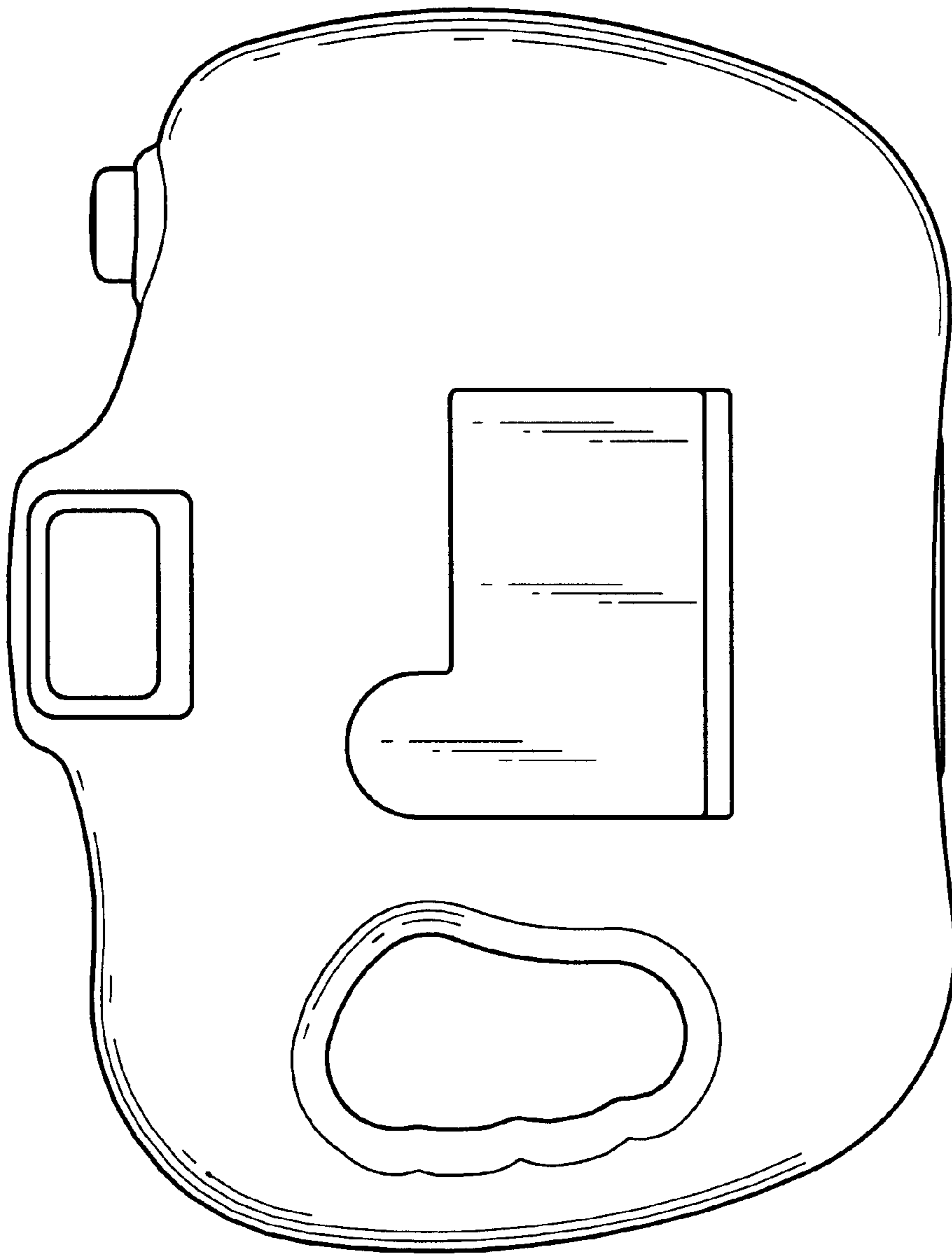


Fig. 3

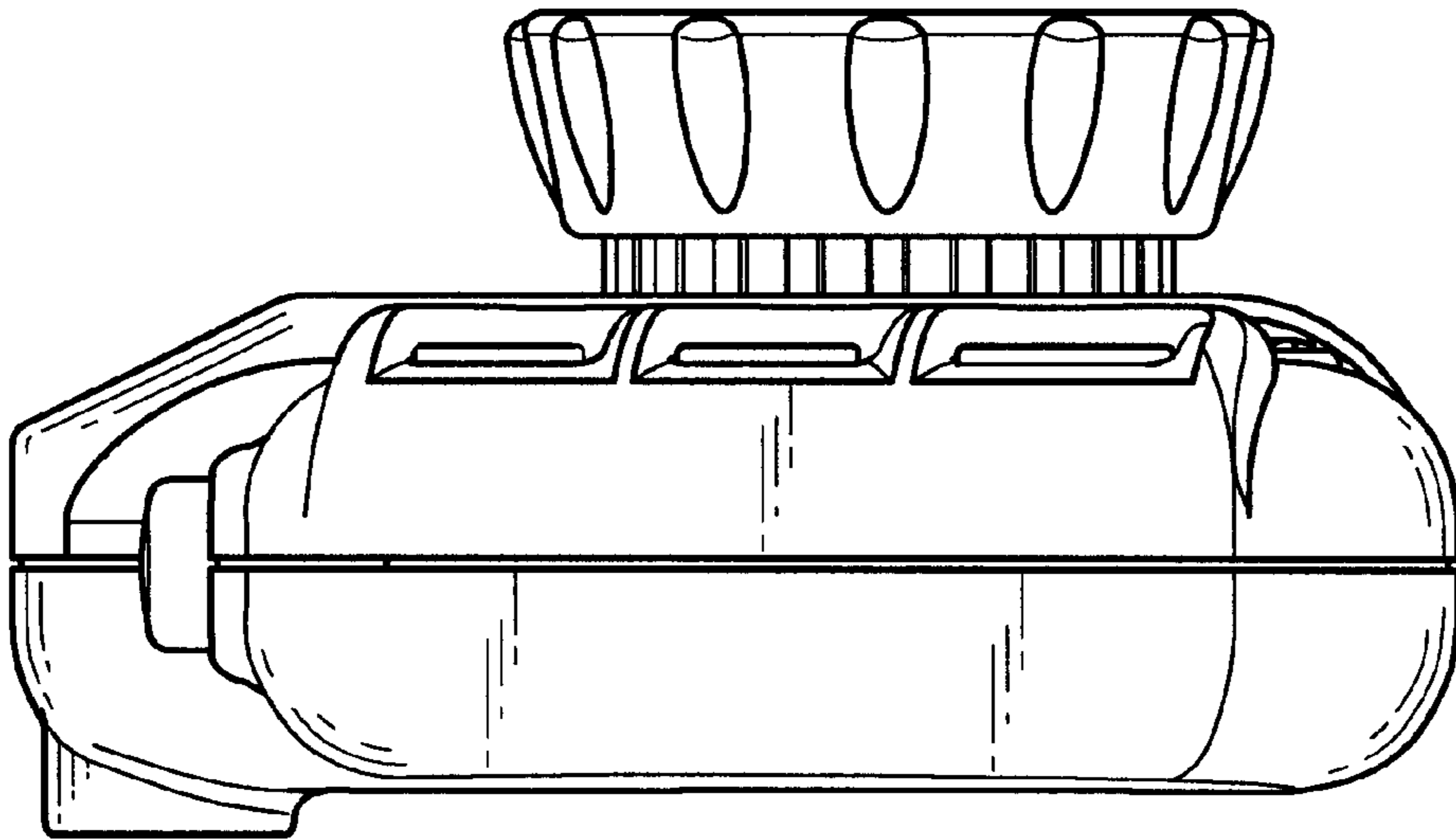


Fig. 4

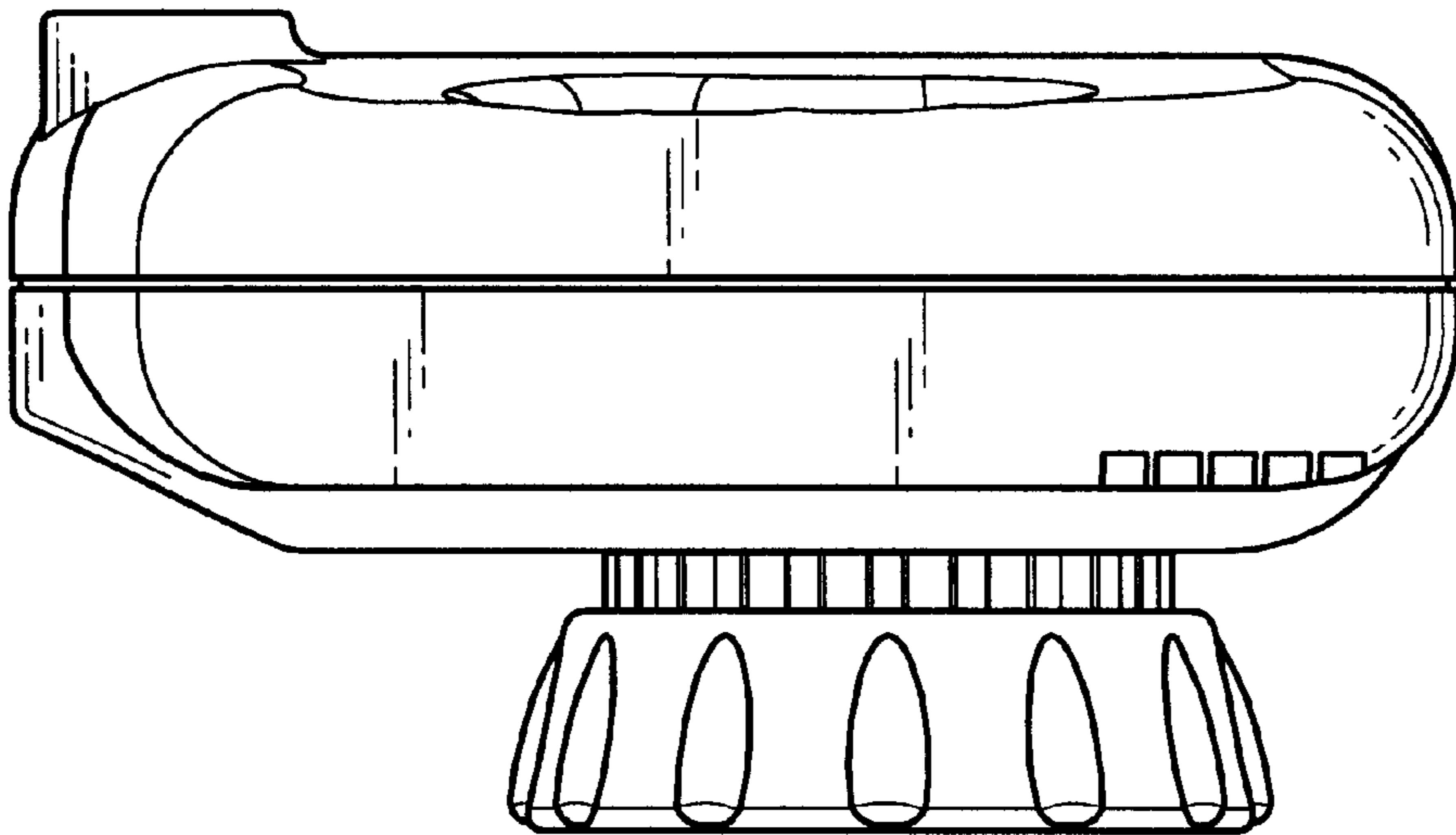


Fig. 5

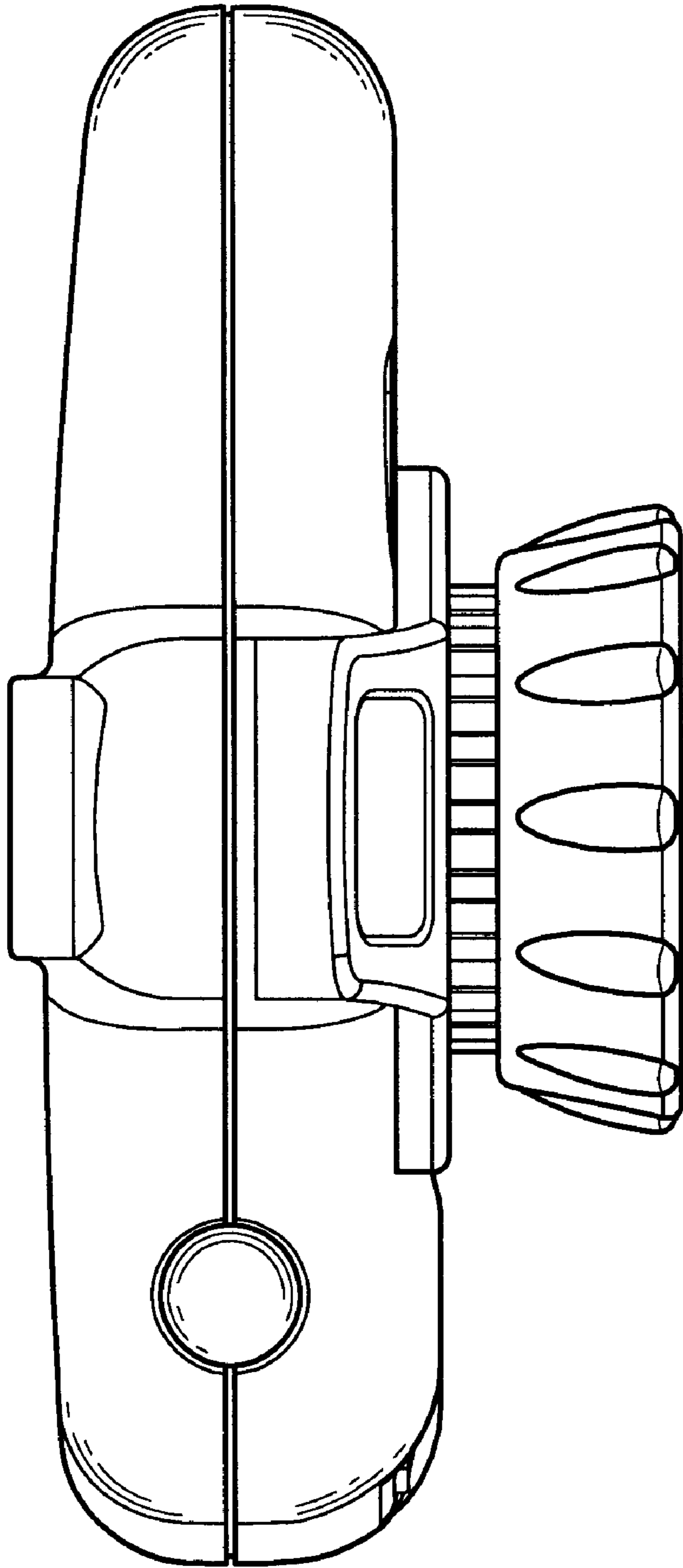


Fig. 6

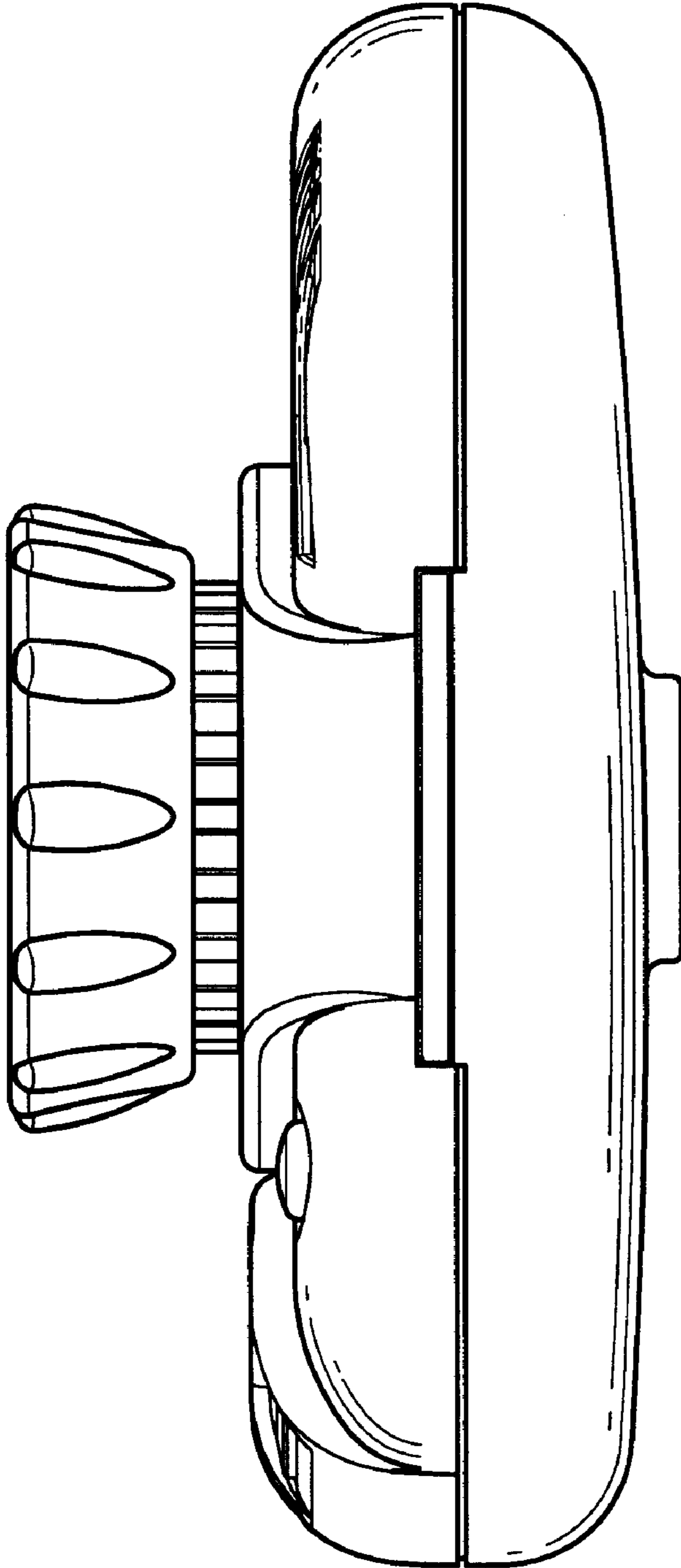


Fig. 7