



US00D487483S

(12) **United States Design Patent**
Chen

(10) **Patent No.:** **US D487,483 S**

(45) **Date of Patent:** **** Mar. 9, 2004**

(54) **NAME PLATE OF A SUITCASE HAVING
THE FUNCTION OF A SEWING KIT**

D400,349 S * 11/1998 Young D3/208
D418,289 S * 1/2000 Olson D3/208

(76) **Inventor:** **Shou Mao Chen**, 344, Section 1,
Chung Shan Road, Tah-Cha Township,
Taichung Hsien (TW)

* cited by examiner

Primary Examiner—Robert M. Spear
(74) *Attorney, Agent, or Firm*—Harrison & Egbert

(**) **Term:** **14 Years**

(57) **CLAIM**

(21) **Appl. No.:** **29/169,087**

I claim the ornamental design for a name plate of a suitcase having the function of a sewing kit, as shown and described.

(22) **Filed:** **Oct. 15, 2002**

DESCRIPTION

(51) **LOC (7) Cl.** **20-03**

(52) **U.S. Cl.** **D20/19; D3/20**

(58) **Field of Search** D3/20, 208; D9/423;
D20/19, 22, 27, 99; 40/653, 1.5, 124.2,
546; 116/2, DIG. 1; 206/38.1; 223/106;
362/812

FIG. 1 is an upper perspective view of the name plate of a suitcase having the function of a sewing kit showing my design.

FIG. 2 is a front view thereof;

FIG. 3 is a back view thereof;

FIG. 4 is a left side view thereof;

FIG. 5 is a right side view thereof;

FIG. 6 is a top view thereof;

FIG. 7 is a bottom view thereof; and

FIG. 8 is a top perspective view thereof, showing an extended embodiment and exposing the name tag thereof; and,

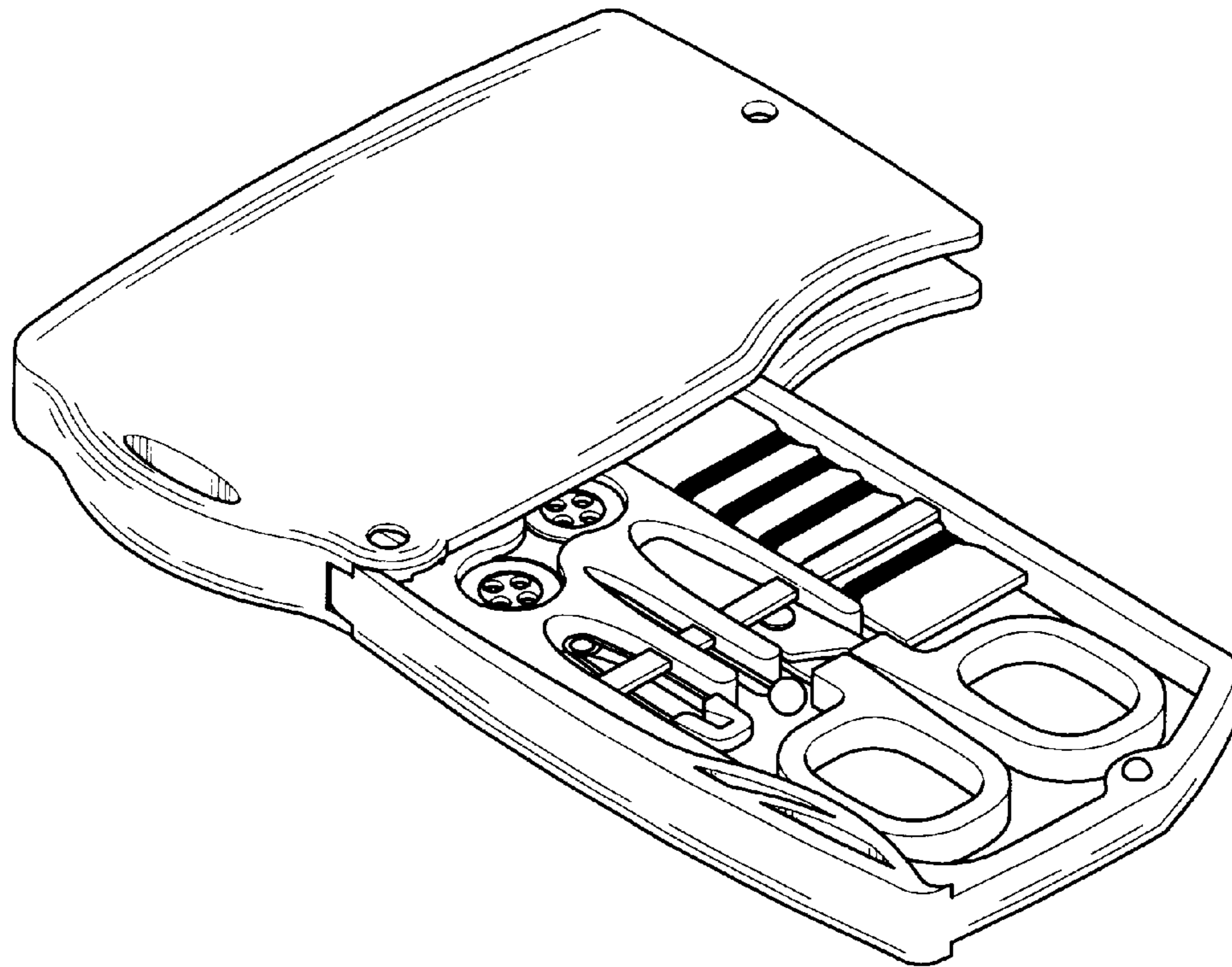
FIG. 9 is a bottom perspective view thereof, showing the opposite side of the extended embodiment and exposing the sewing kit thereof.

(56) **References Cited**

U.S. PATENT DOCUMENTS

406,996 A	*	7/1889	Craus	223/106
3,216,136 A	*	11/1965	Lang	40/653
D278,836 S	*	5/1985	Flies	D20/22
D279,586 S	*	7/1985	Flies	D20/22
D291,897 S	*	9/1987	Flies	D20/22
D322,816 S	*	12/1991	Immerman	D20/28
D326,226 S	*	5/1992	Gerhart	D9/423
D387,812 S	*	12/1997	Liu	D20/27

1 Claim, 6 Drawing Sheets



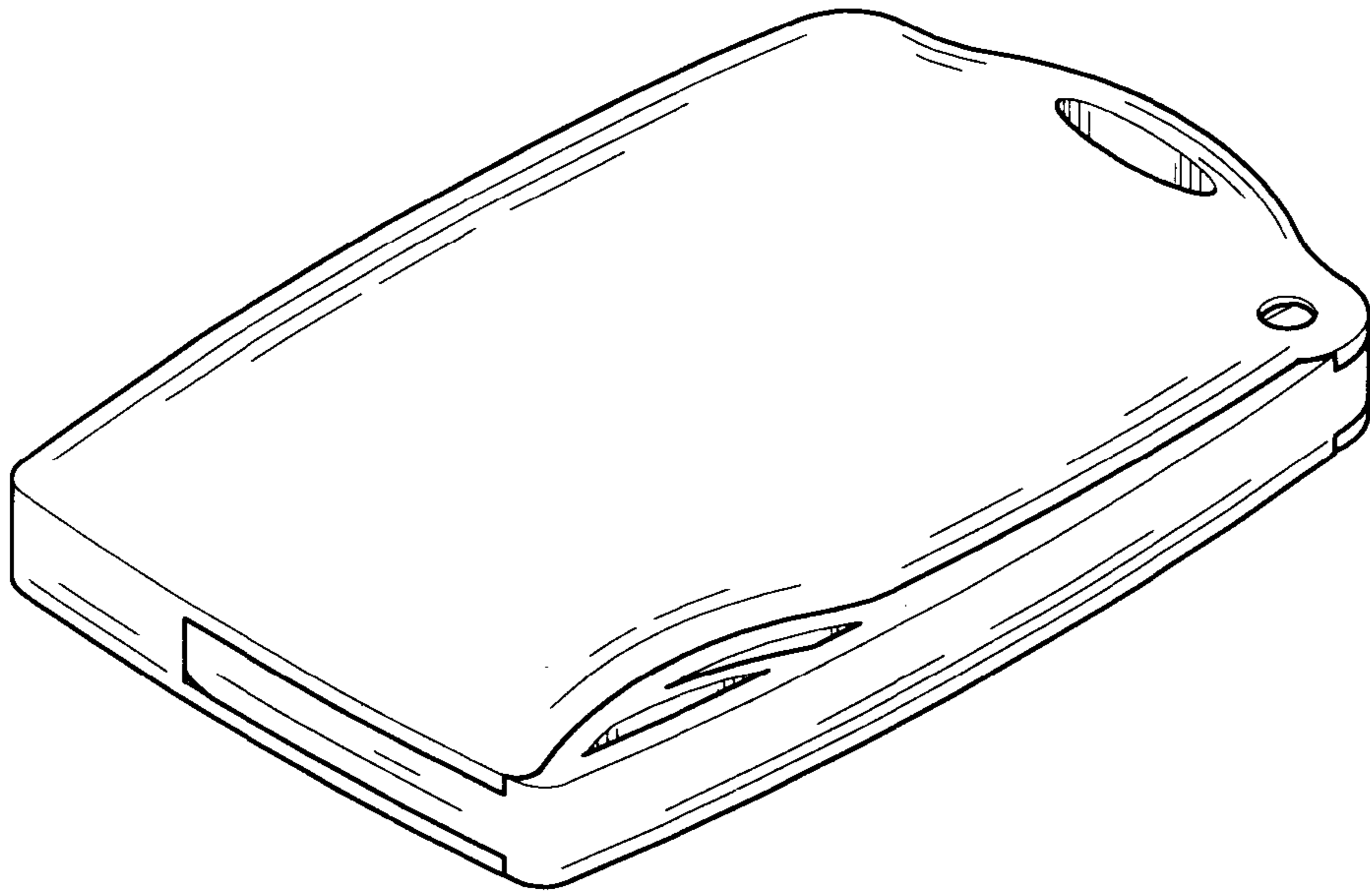


FIG.1

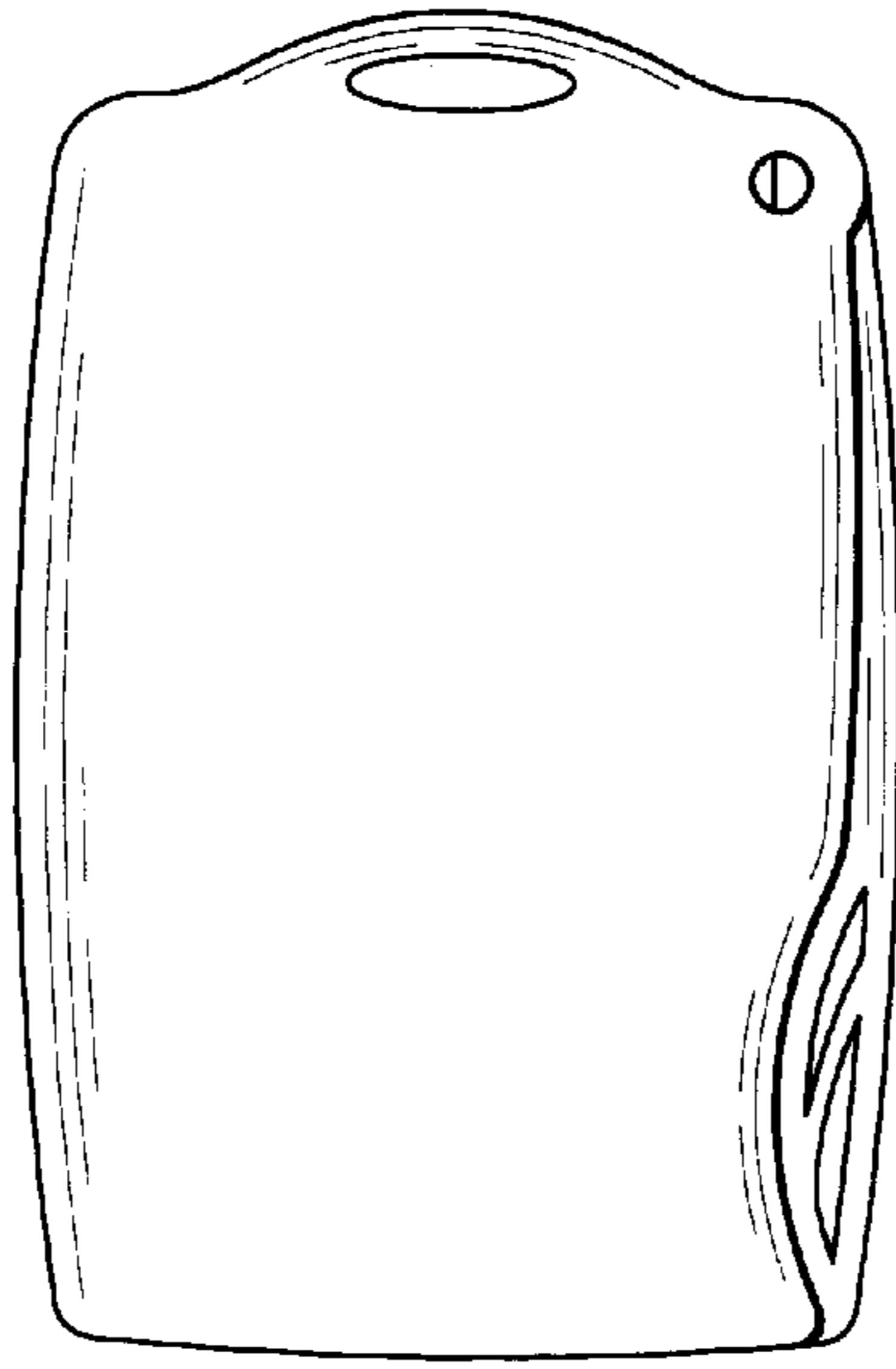


FIG. 2

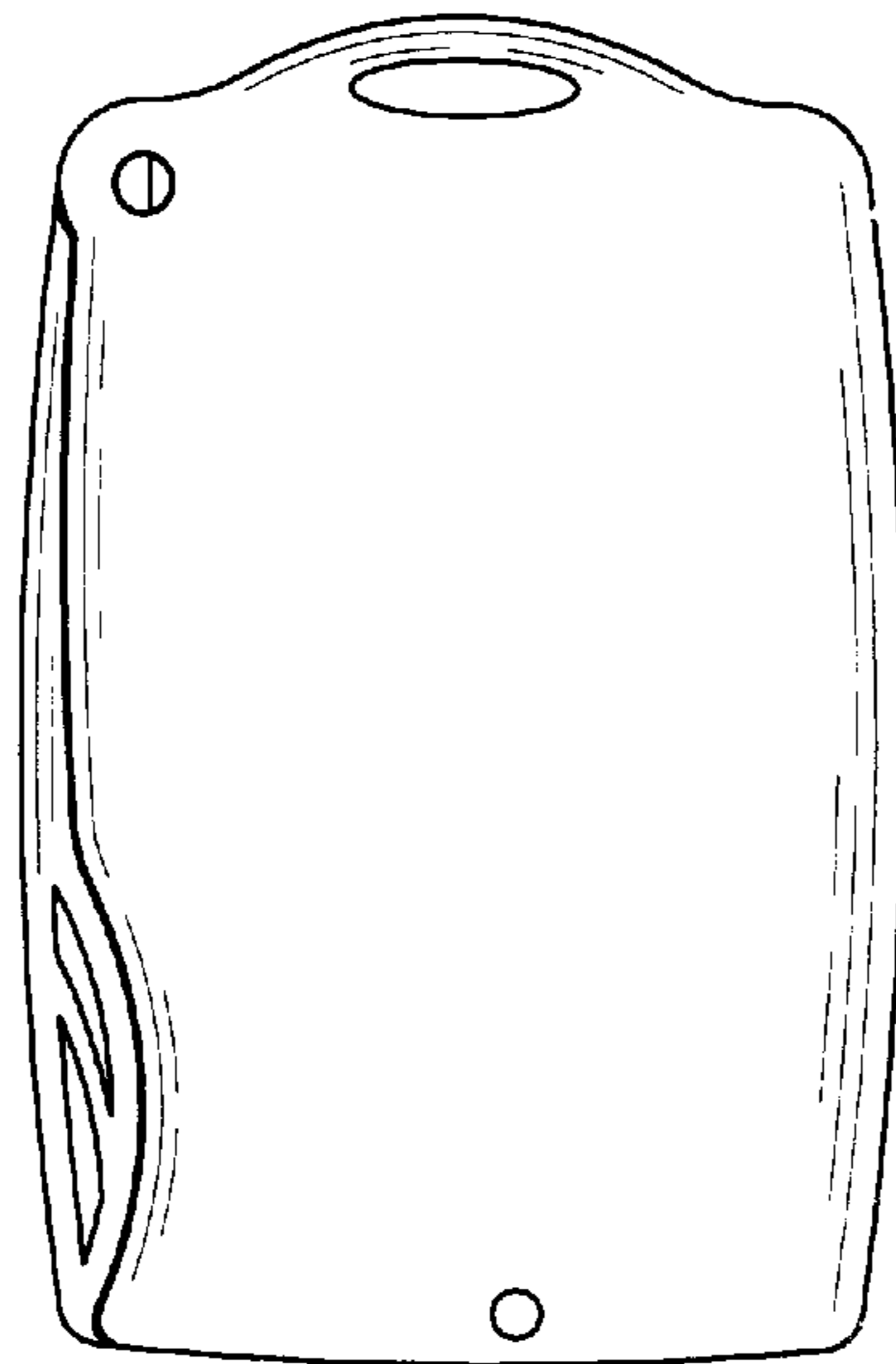


FIG. 3



FIG. 4



FIG. 5

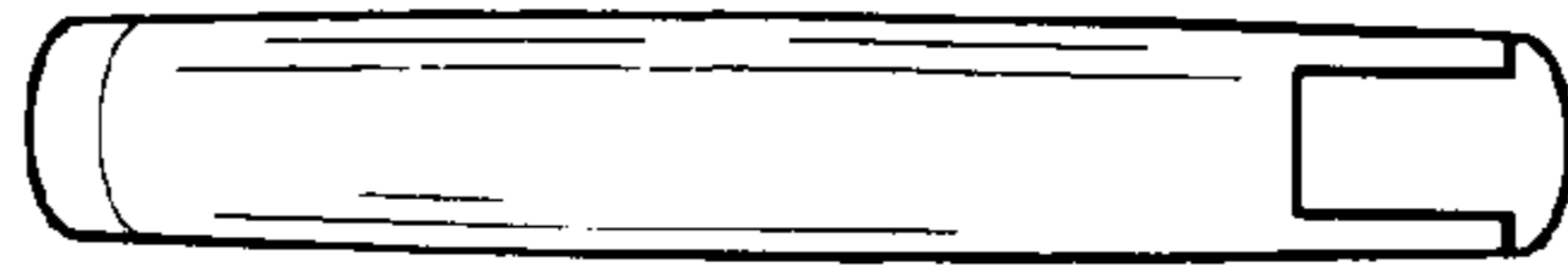


FIG. 6

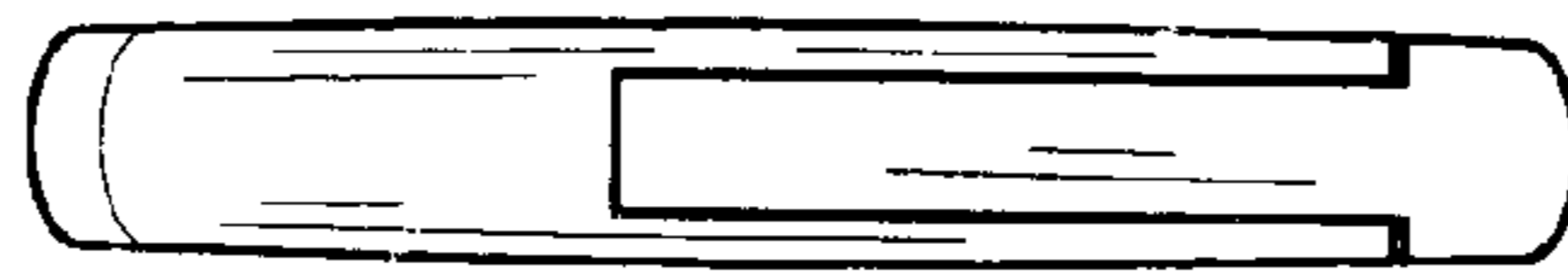


FIG. 7

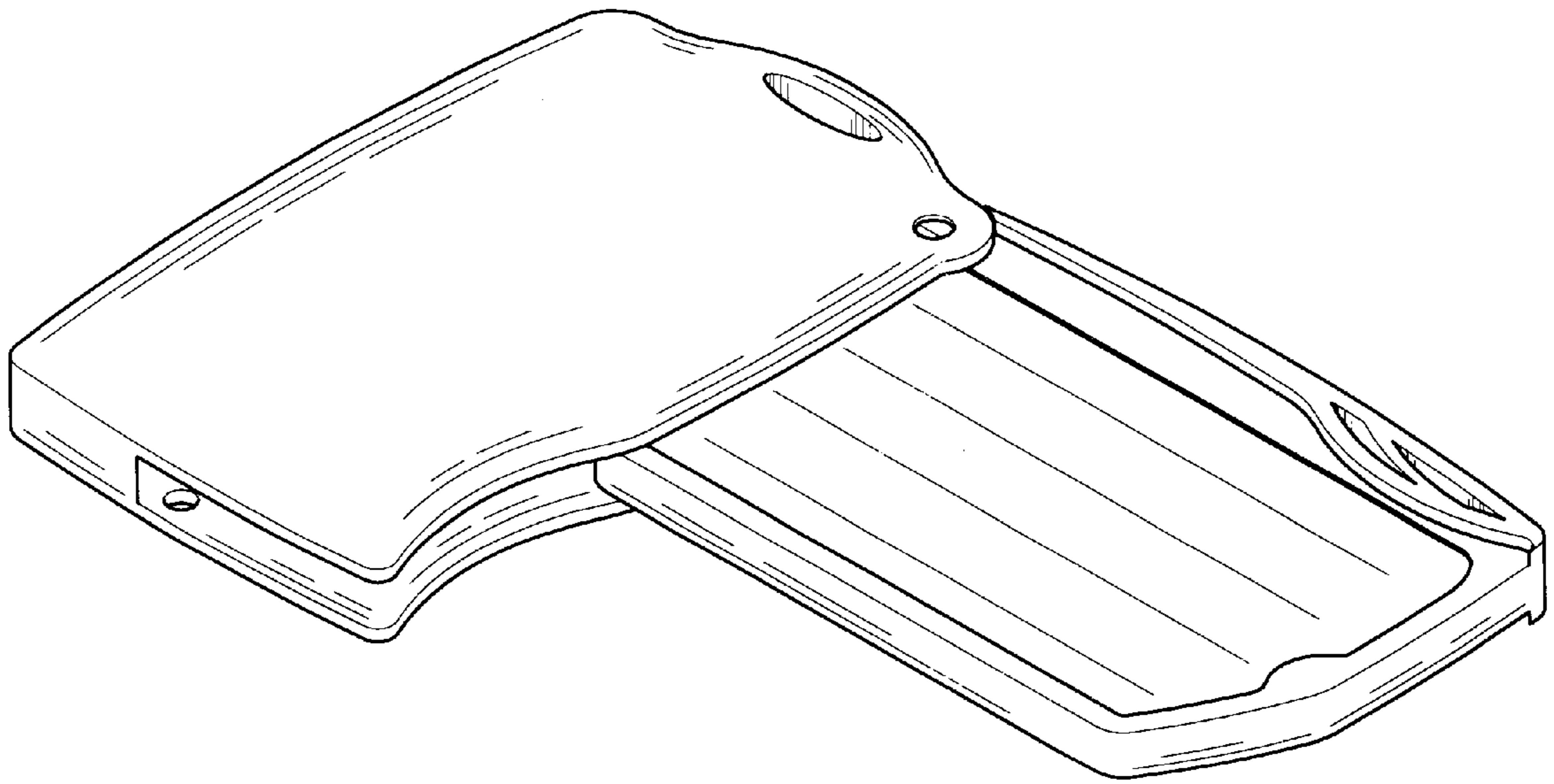


FIG.8

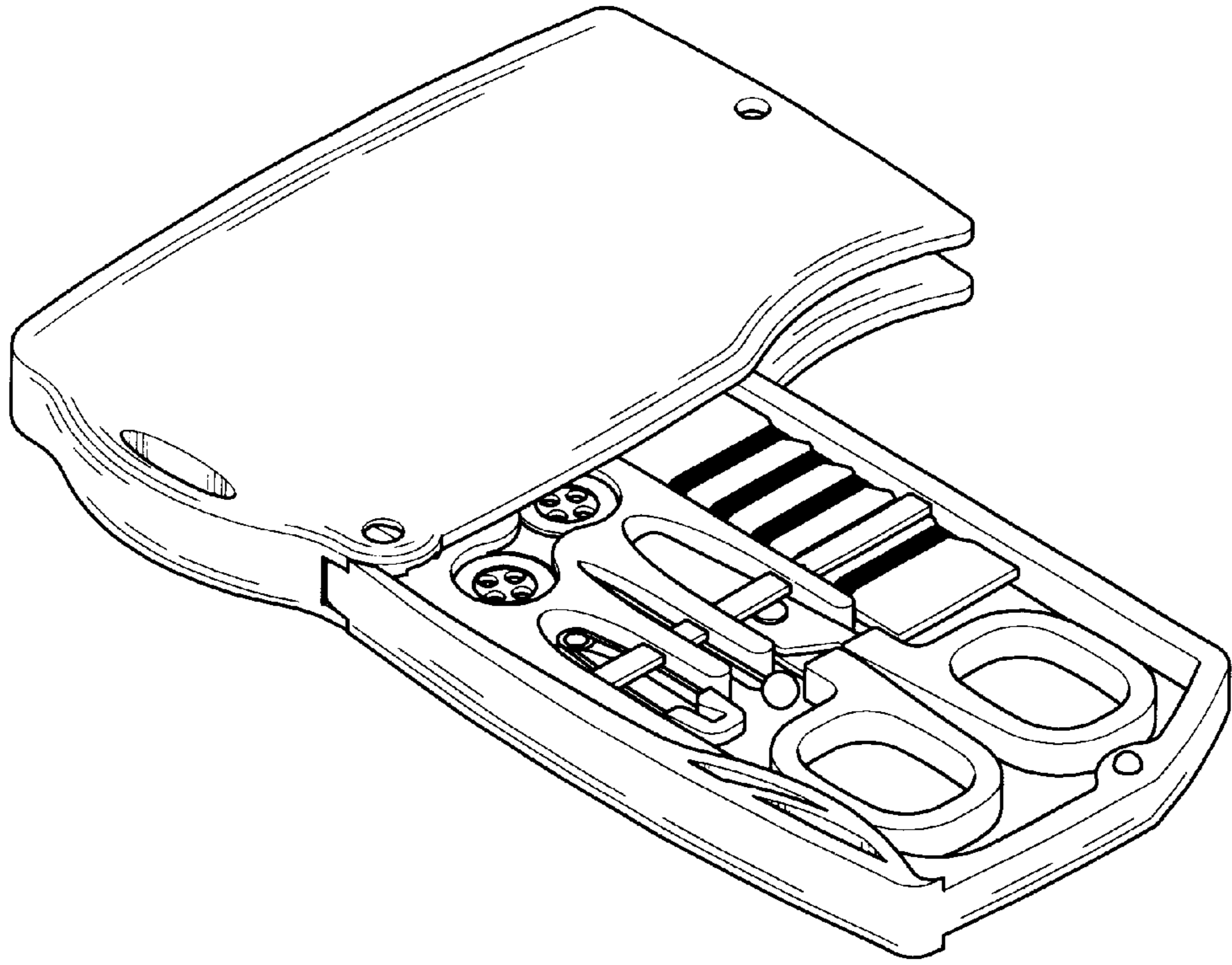


FIG. 9