



US00D487475S

(12) **United States Design Patent**
Uehara

(10) **Patent No.:** **US D487,475 S**

(45) **Date of Patent:** **** Mar. 9, 2004**

(54) **VIDEO CAMERA**

(75) Inventor: **Mitsuhiro Uehara**, Tokyo (JP)

(73) Assignee: **Sony Corporation**, Tokyo (JP)

(**) Term: **14 Years**

(21) Appl. No.: **29/183,784**

(22) Filed: **Jun. 18, 2003**

(51) **LOC (7) Cl.** **16-01**

(52) **U.S. Cl.** **D16/202**

(58) **Field of Search** D16/200, 202,
D16/203, 204, 205; 348/14.01–14.09, 14.1,
143, 373–376; 396/427, 535–541

(56) **References Cited**

U.S. PATENT DOCUMENTS

D386,505 S	11/1997	Maeyama	
5,734,414 A	* 3/1998	Nishimura et al. 348/14.05
D426,249 S	* 6/2000	Tsujimoto D16/202
D433,431 S	11/2000	Uehara et al.	
D438,223 S	* 2/2001	Kawashima D16/202
D458,289 S	6/2002	Ogura	
D475,070 S	* 5/2003	Ogura D16/202
D476,345 S	* 6/2003	Phelps et al. D16/202
D478,108 S	* 8/2003	Miyazaki D16/202

OTHER PUBLICATIONS

Web page “Real Shot” http://www.sony.jp/products/Professional/cctv/network_c_index.html, 1 sheet, Sony (Feb. 2003).

Web page “News and Information, PCS–1500” <http://www.sony.jp/CorporateCruise/press/199905/99-017/>, 3 sheets, Sony Marketing (Japan) Inc. (Feb. 2003).

Web page “Sony Video Conferencing System, PCS–1600” <http://www.sony.jp/products/Professional/VIDEOCONF/1600.html>, 1 sheet, Sony (Feb. 2003).

Web page “View Station SP/SP384” http://www.polycom.co.jp/viewstation/va_sp.html, 1 sheet, Polycom Japan (Feb. 2003).

* cited by examiner

Primary Examiner—Adir Aronovich
(74) *Attorney, Agent, or Firm*—Rader, Fishman & Grauer PLLC

(57) **CLAIM**

The ornamental design for a video camera, as shown.

DESCRIPTION

FIG. 1 is a perspective view of a video camera showing my new design;

FIG. 2 is a front elevational view thereof;

FIG. 3 is a rear elevational view thereof;

FIG. 4 is a left side elevational view thereof;

FIG. 5 is a right side elevational view thereof;

FIG. 6 is a top plan view thereof; and,

FIG. 7 is a bottom plan view thereof.

1 Claim, 4 Drawing Sheets

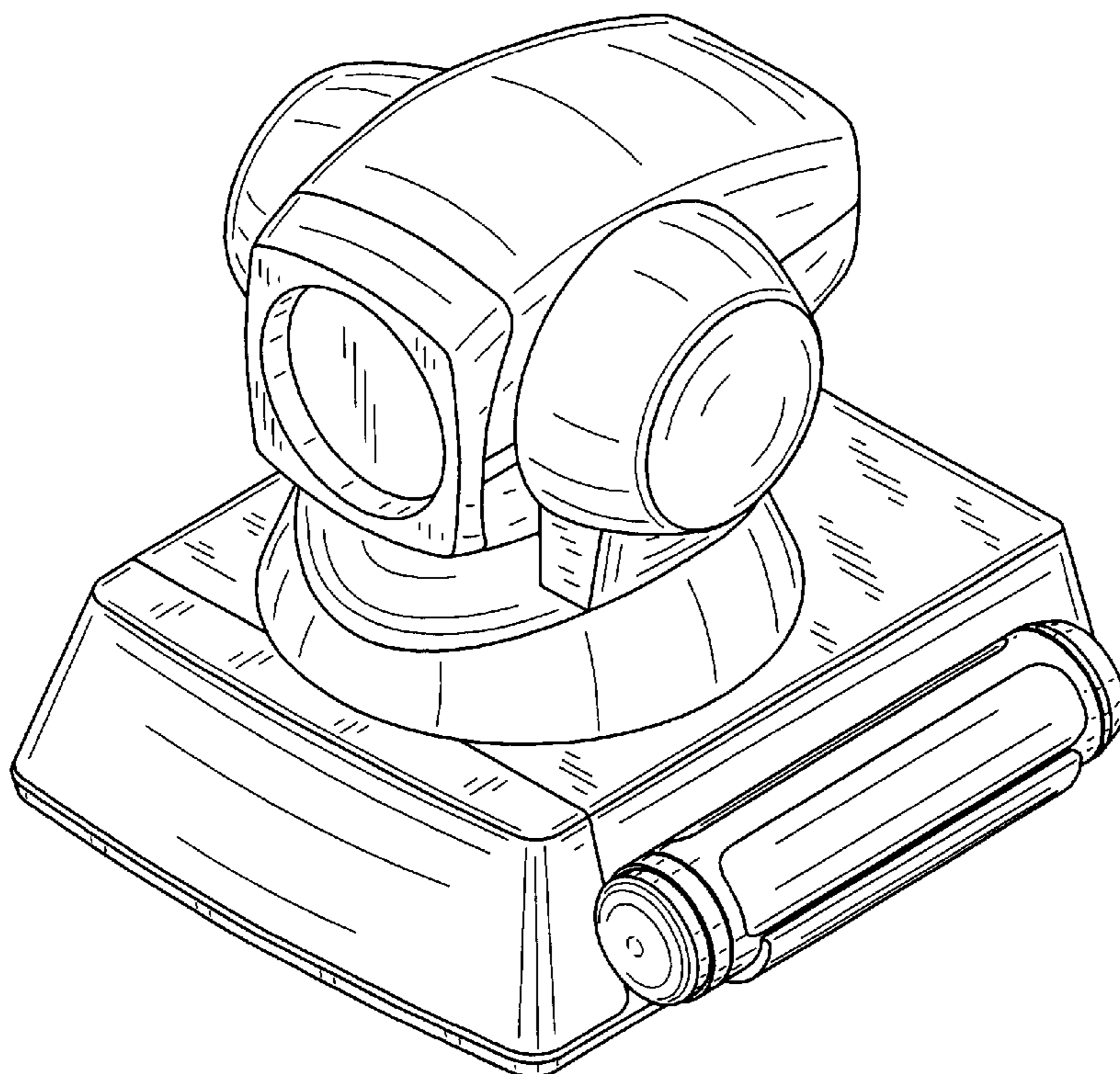


FIG. 1

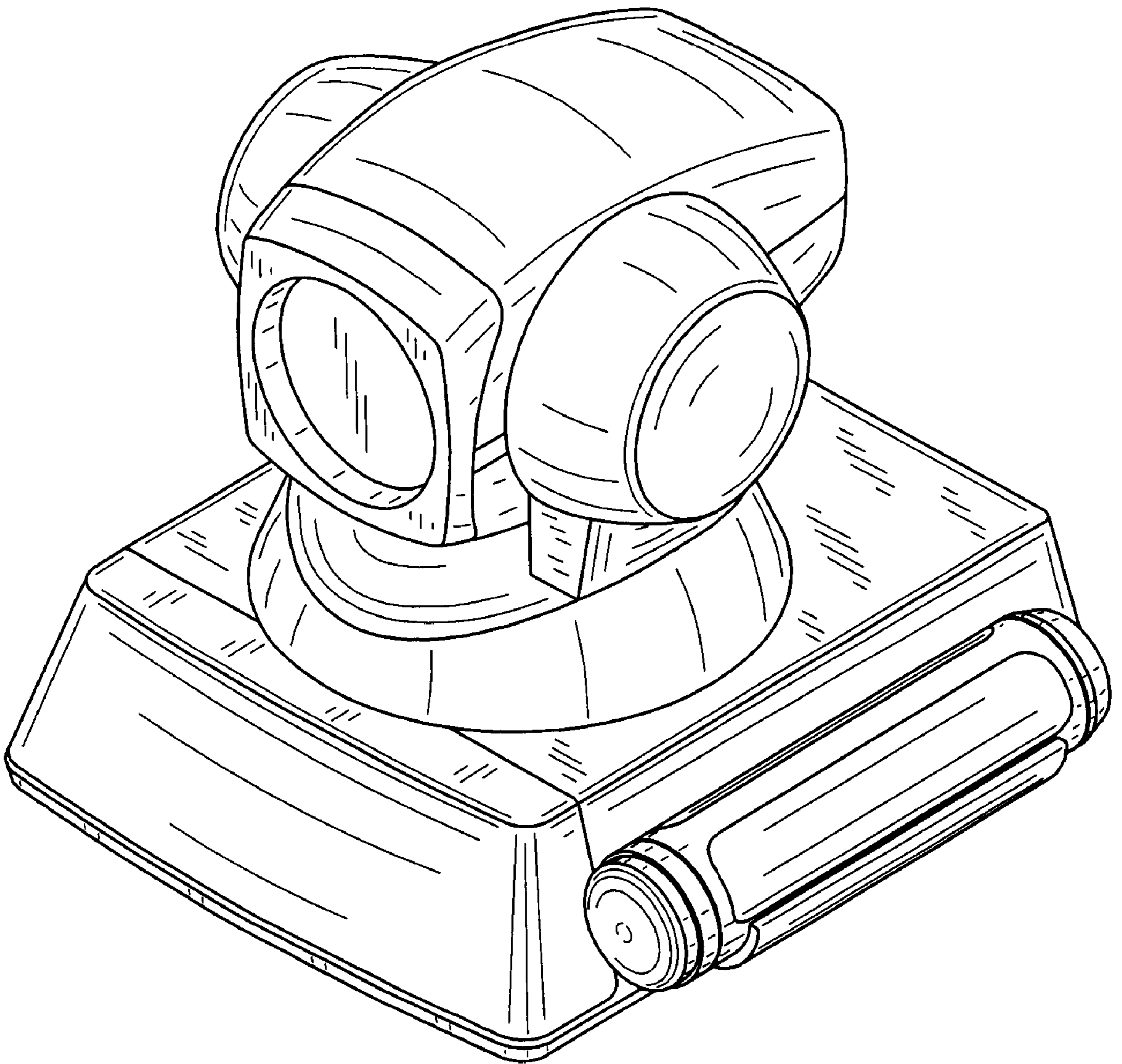


FIG. 2

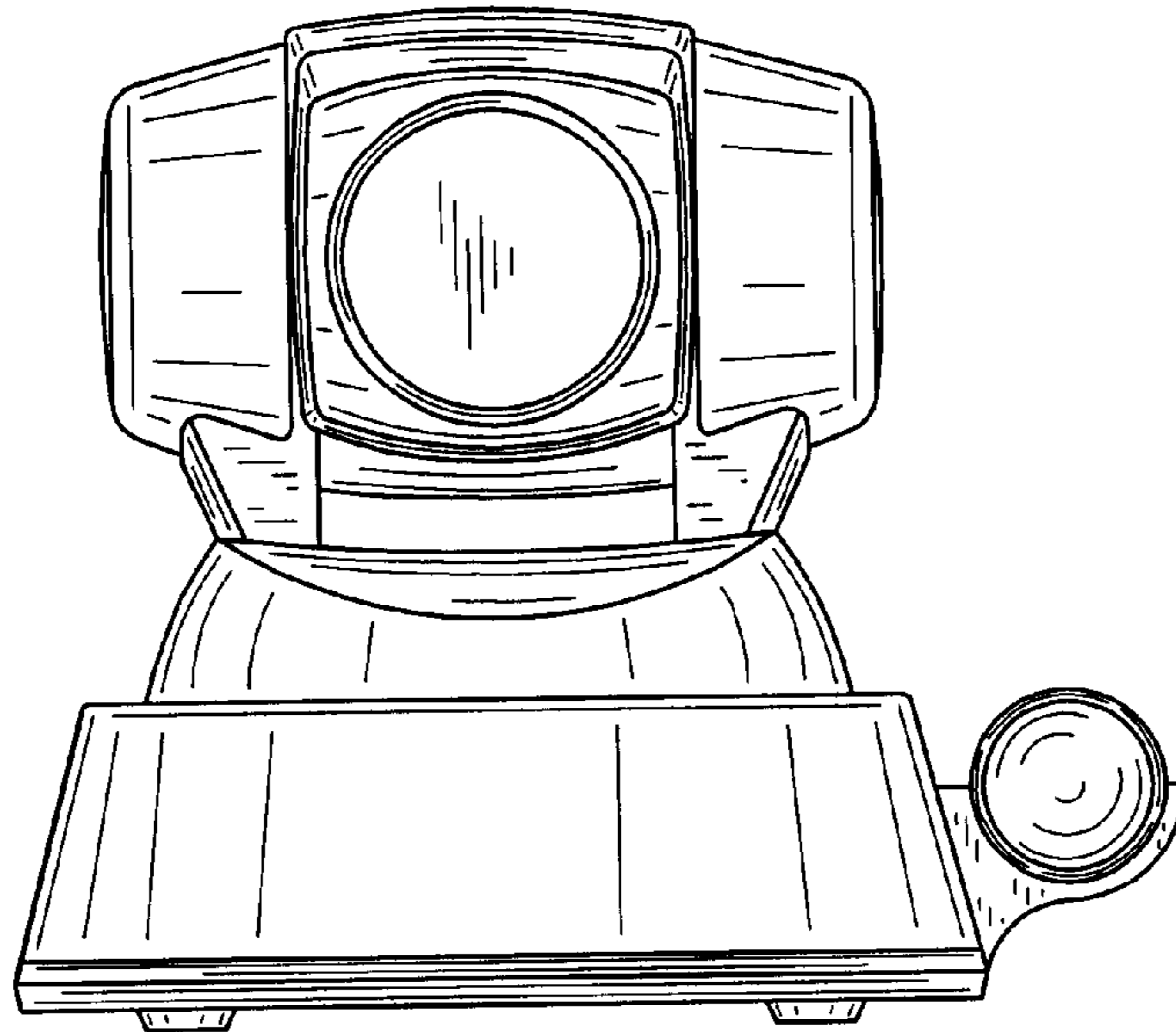


FIG. 3

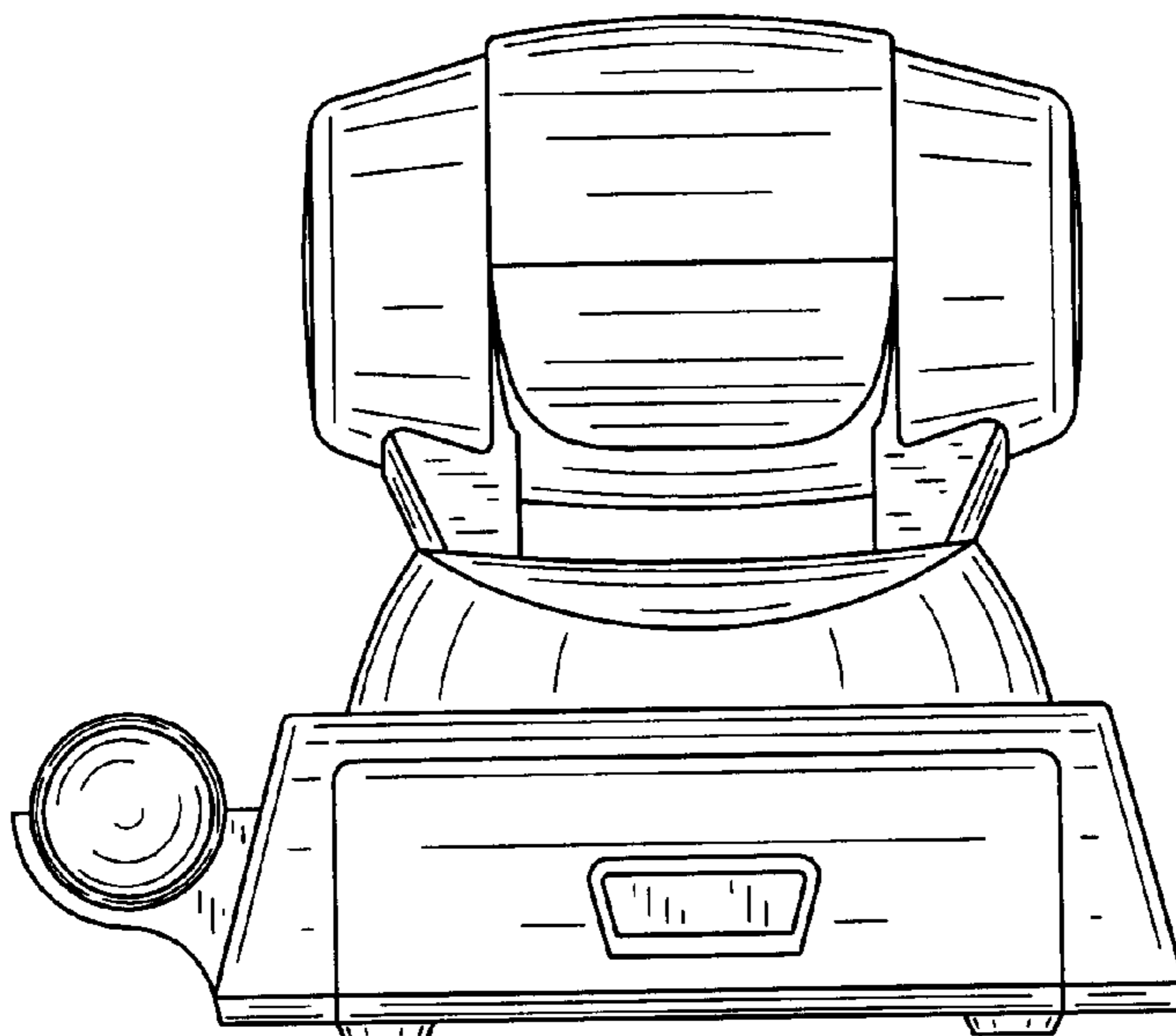


FIG. 4

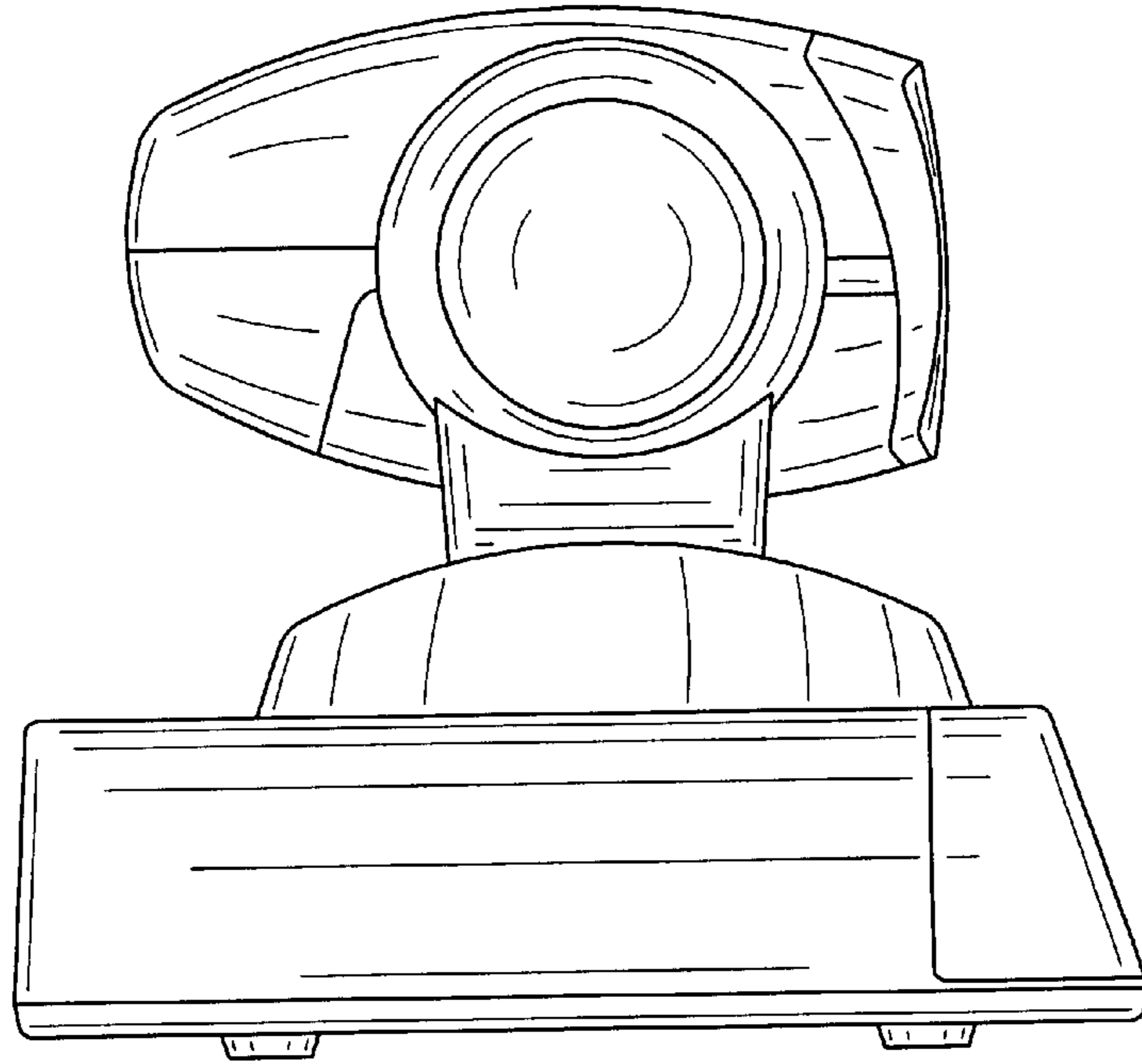


FIG. 5

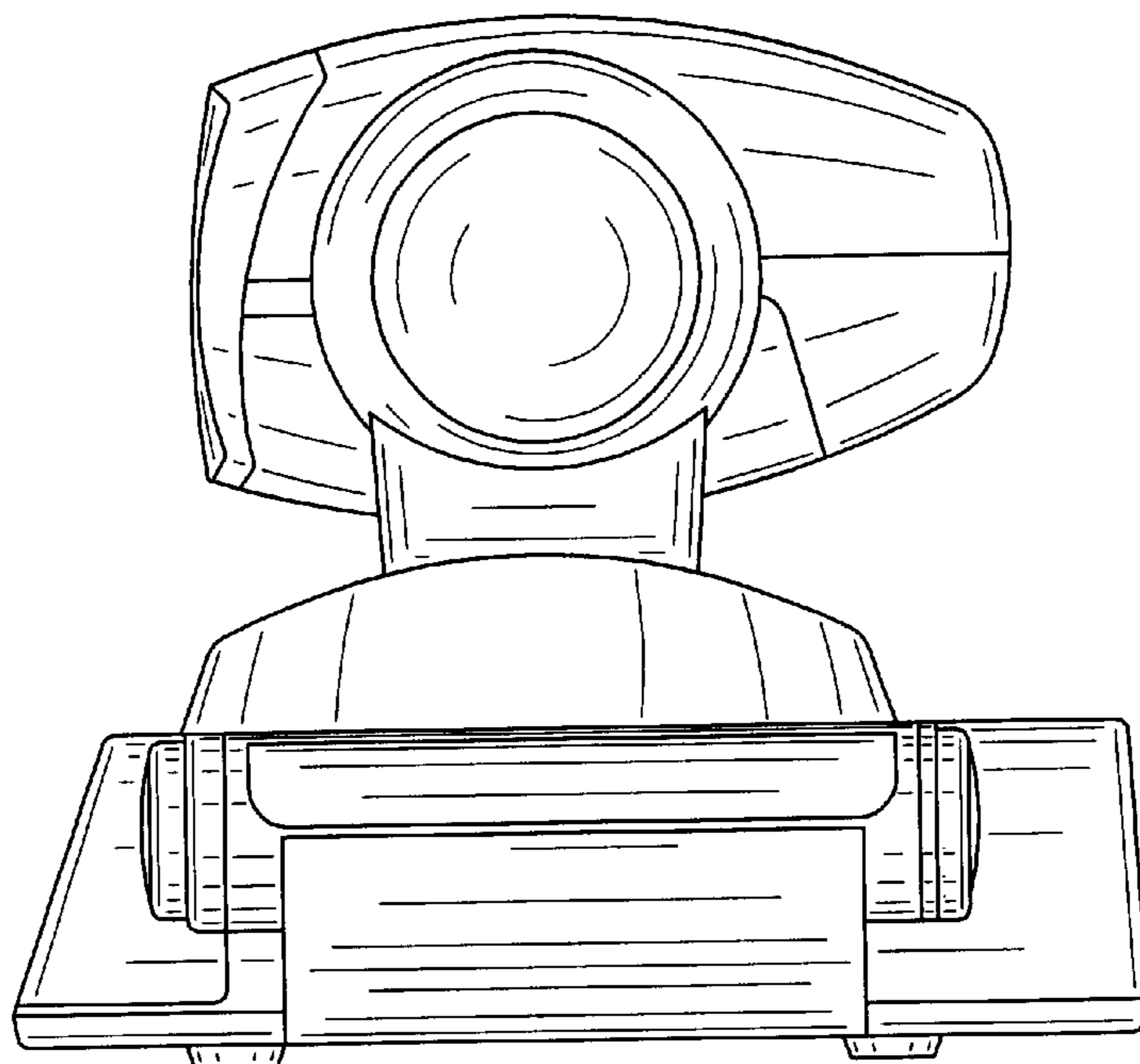


FIG. 6

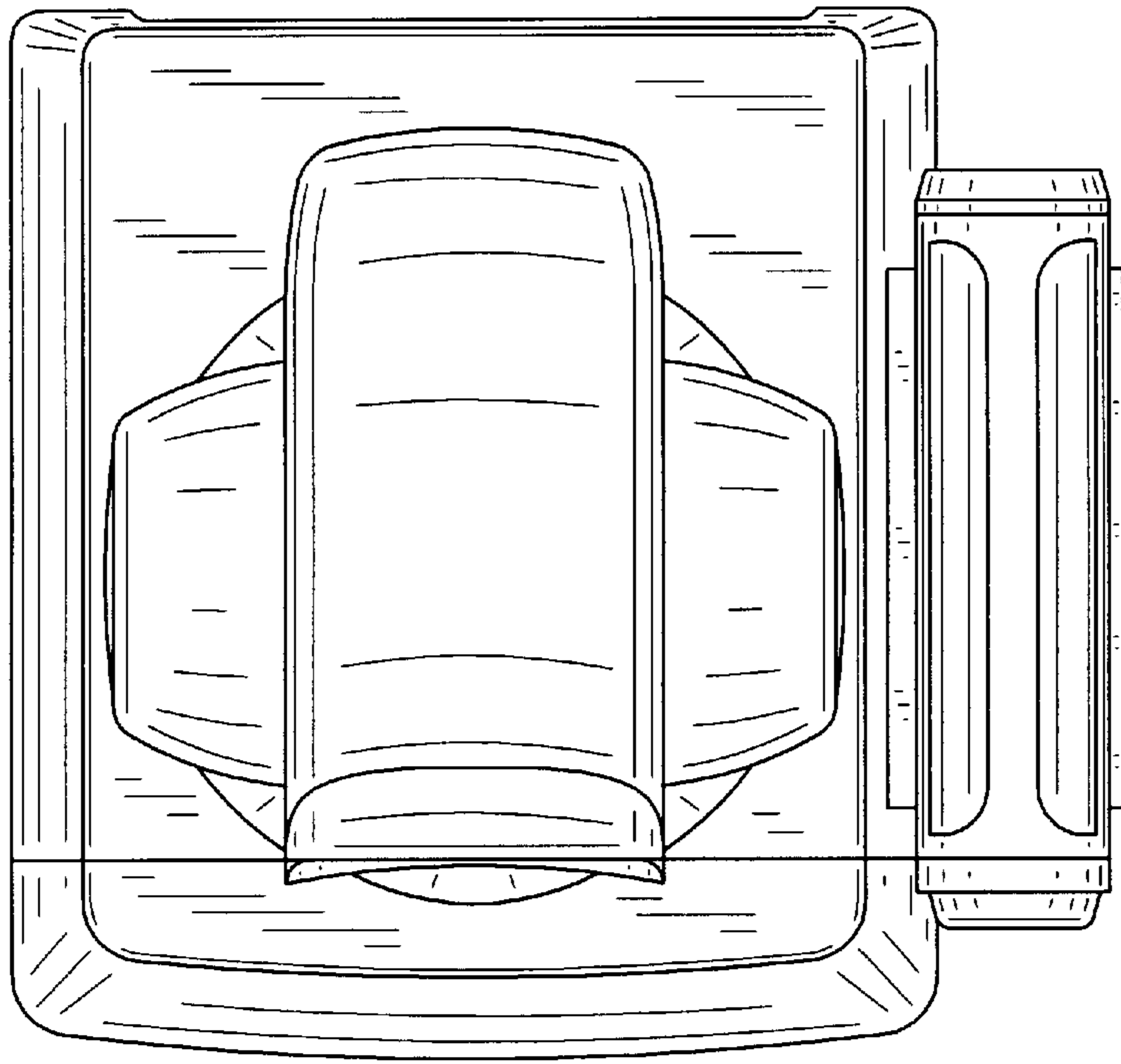


FIG. 7

