



US00D487474S

(12) **United States Design Patent**
Hon

(10) **Patent No.:** **US D487,474 S**

(45) **Date of Patent:** **** Mar. 9, 2004**

(54) **ROUTER TABLE**

(75) Inventor: **Tsang Lap Hon**, Tuen Mun (HK)

(73) Assignee: **One World Technologies, Limited**,
Hamilton (BM)

(**) Term: **14 Years**

(21) Appl. No.: **29/179,858**

(22) Filed: **Apr. 16, 2003**

(51) **LOC (7) Cl.** **15-09**

(52) **U.S. Cl.** **D15/127**

(58) **Field of Search** D15/127, 135,
D15/138, 140; 144/134.1, 135.2, 136.1,
204.2, 253.2, 253.5, 286.1, 286.5

(56) **References Cited**

U.S. PATENT DOCUMENTS

D394,071 S * 5/1998 Ceroll et al. D15/133

D443,882 S * 6/2001 Daniels et al. D15/127

D457,176 S * 5/2002 Daniels et al. D15/127

* cited by examiner

Primary Examiner—Brian N. Vinson

(74) *Attorney, Agent, or Firm*—Andrew Y. Pang; Nexsen
Pruet Jacobs & Pollard, LLC

(57) **CLAIM**

The ornamental design for a router table, as shown and
described.

DESCRIPTION

FIG. 1 is a front perspective view of the router table of the
present invention;

FIG. 2 is a rear perspective view thereof;

FIG. 3 is a front view thereof;

FIG. 4 is a rear view thereof;

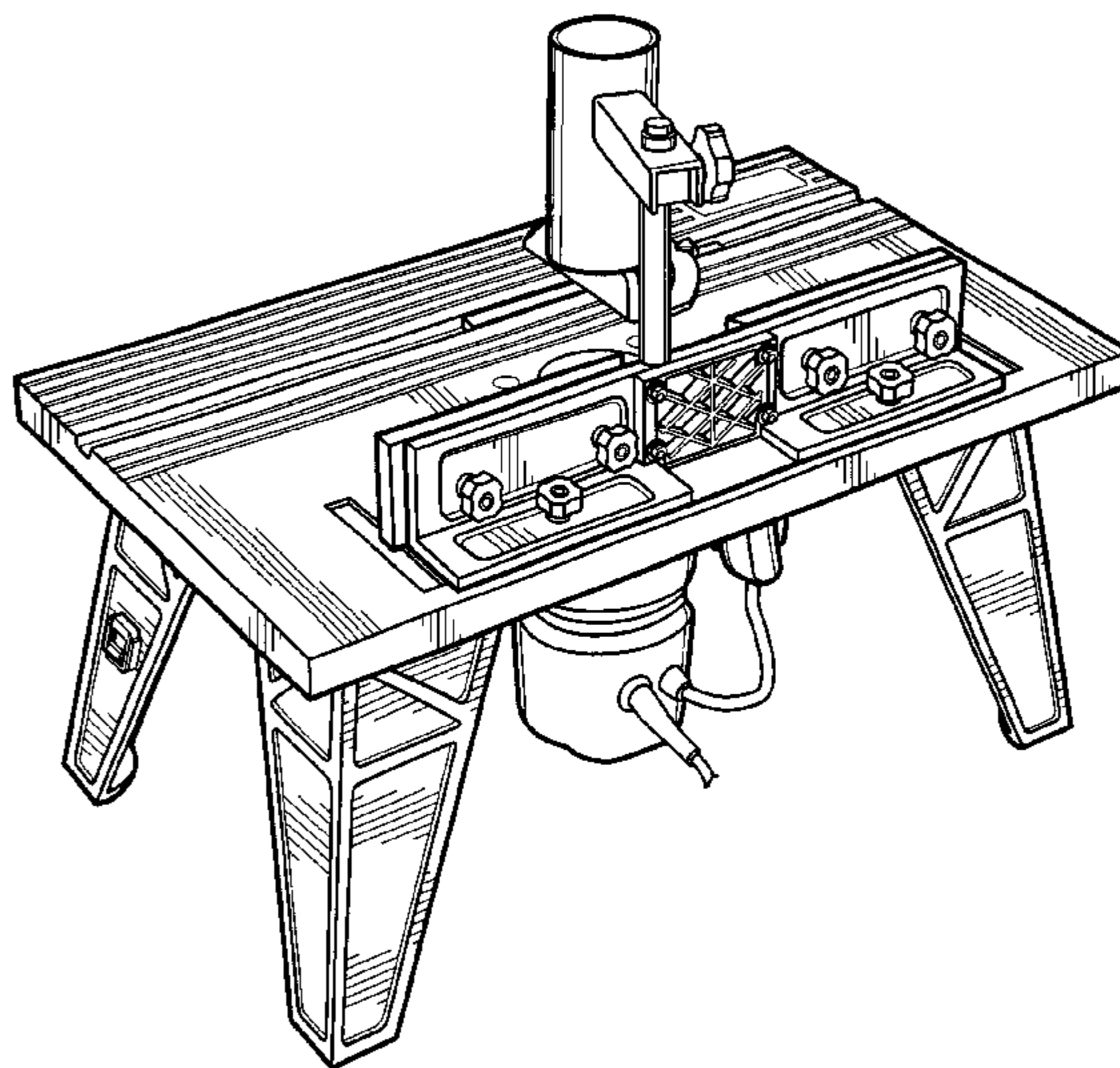
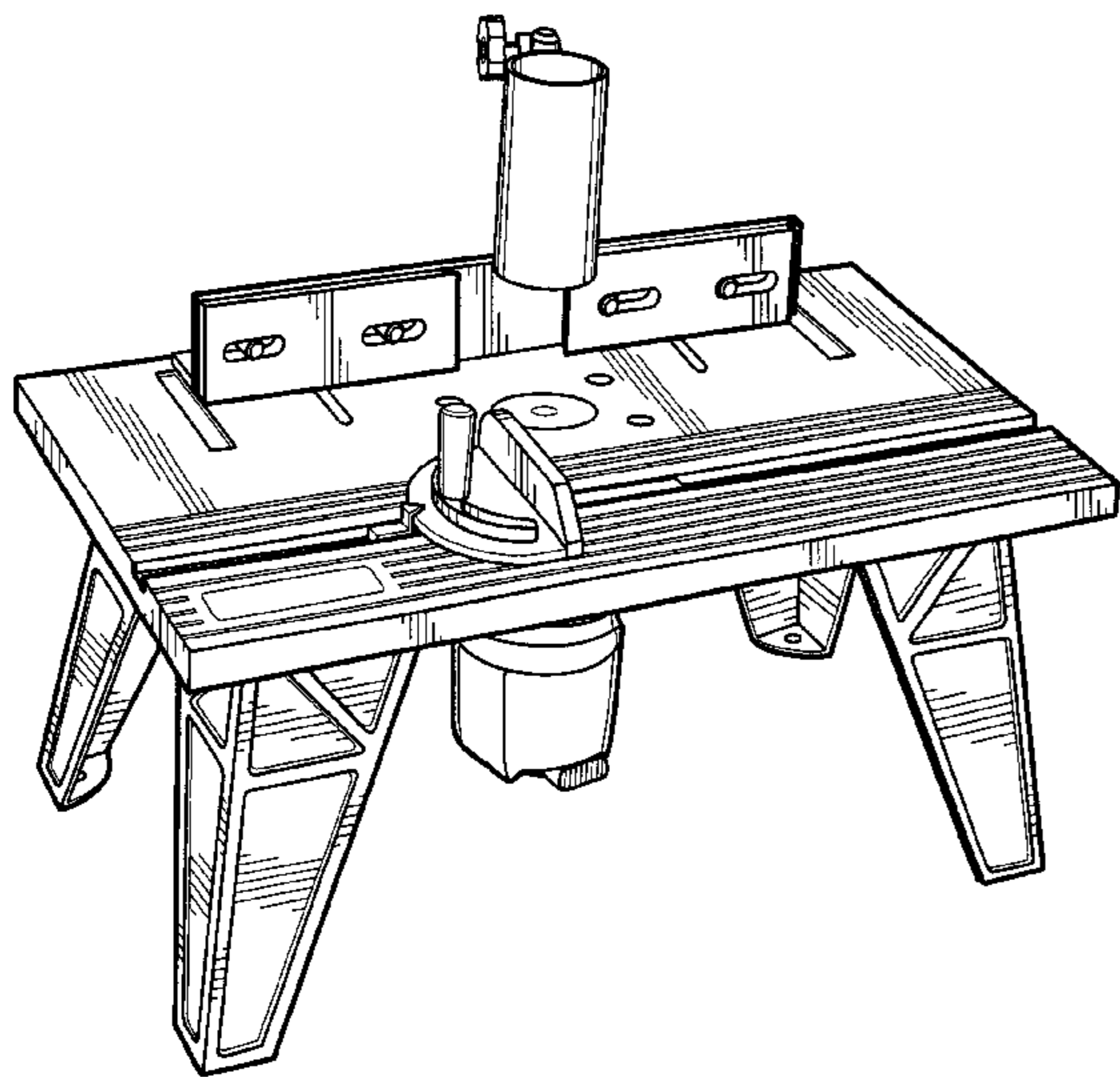
FIG. 5 is a left side elevational view thereof;

FIG. 6 is a right side elevational view thereof;

FIG. 7 is a top view thereof; and,

FIG. 8 is a bottom view thereof.

1 Claim, 4 Drawing Sheets



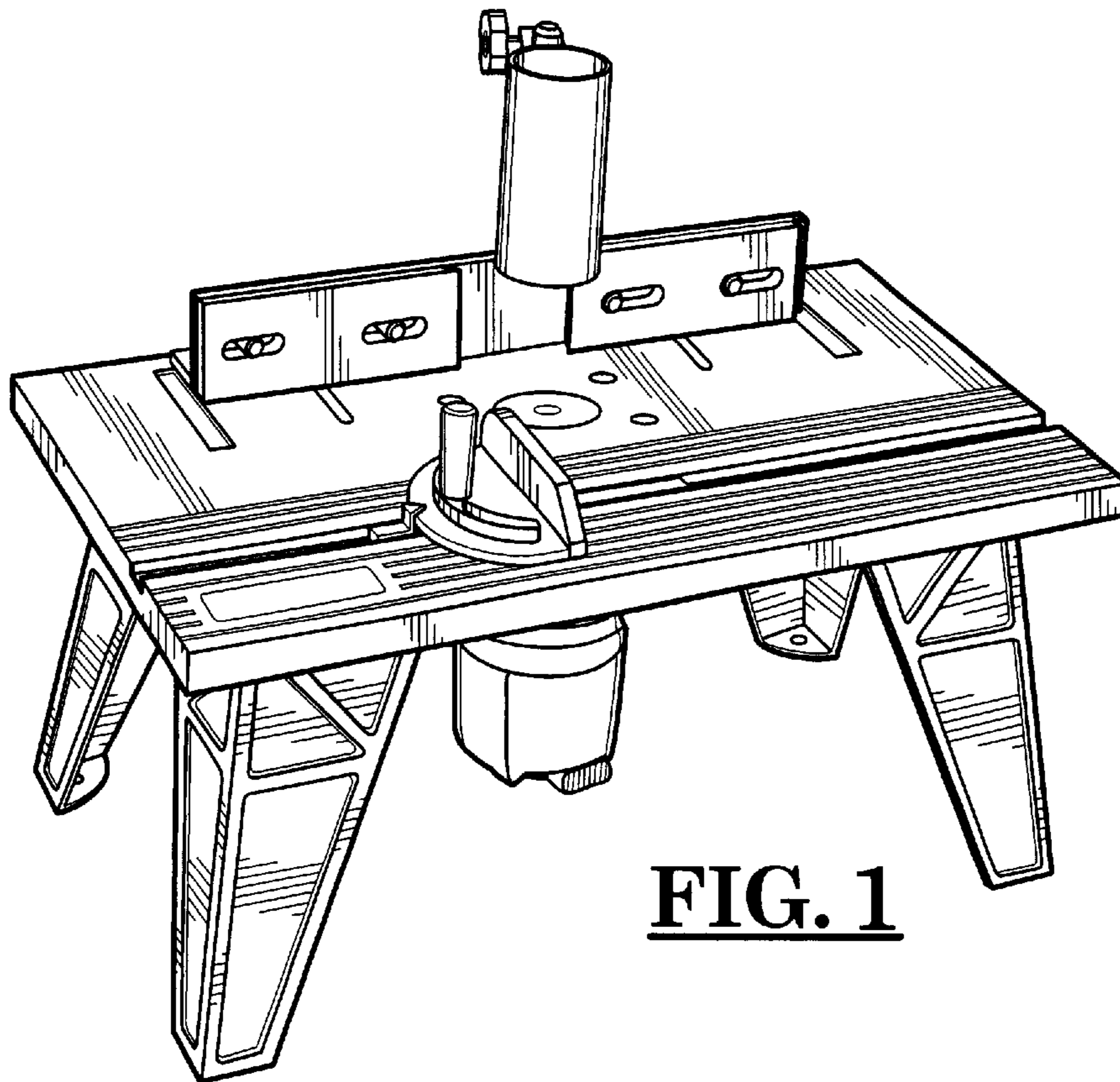


FIG. 1

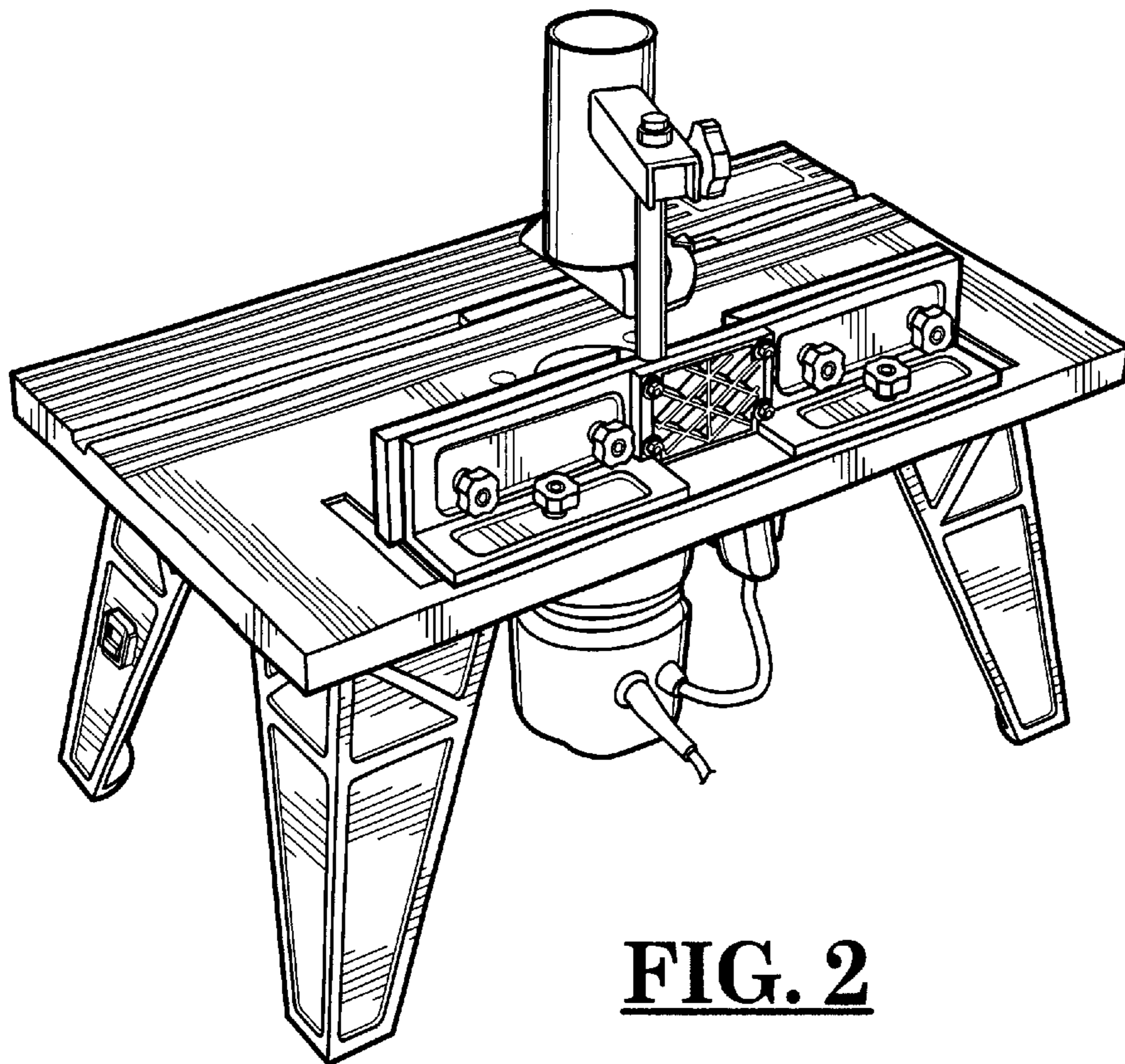


FIG. 2

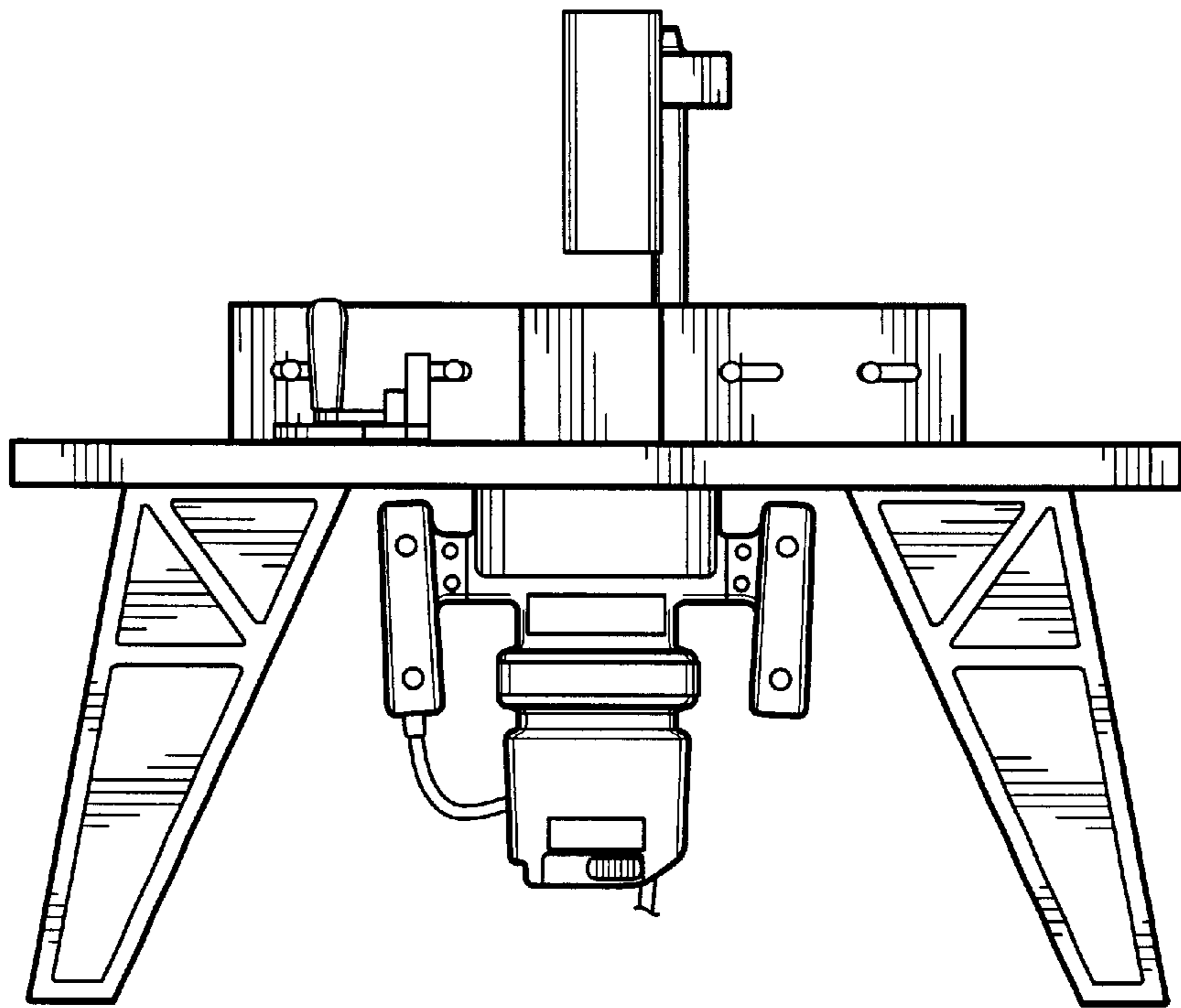


FIG. 3

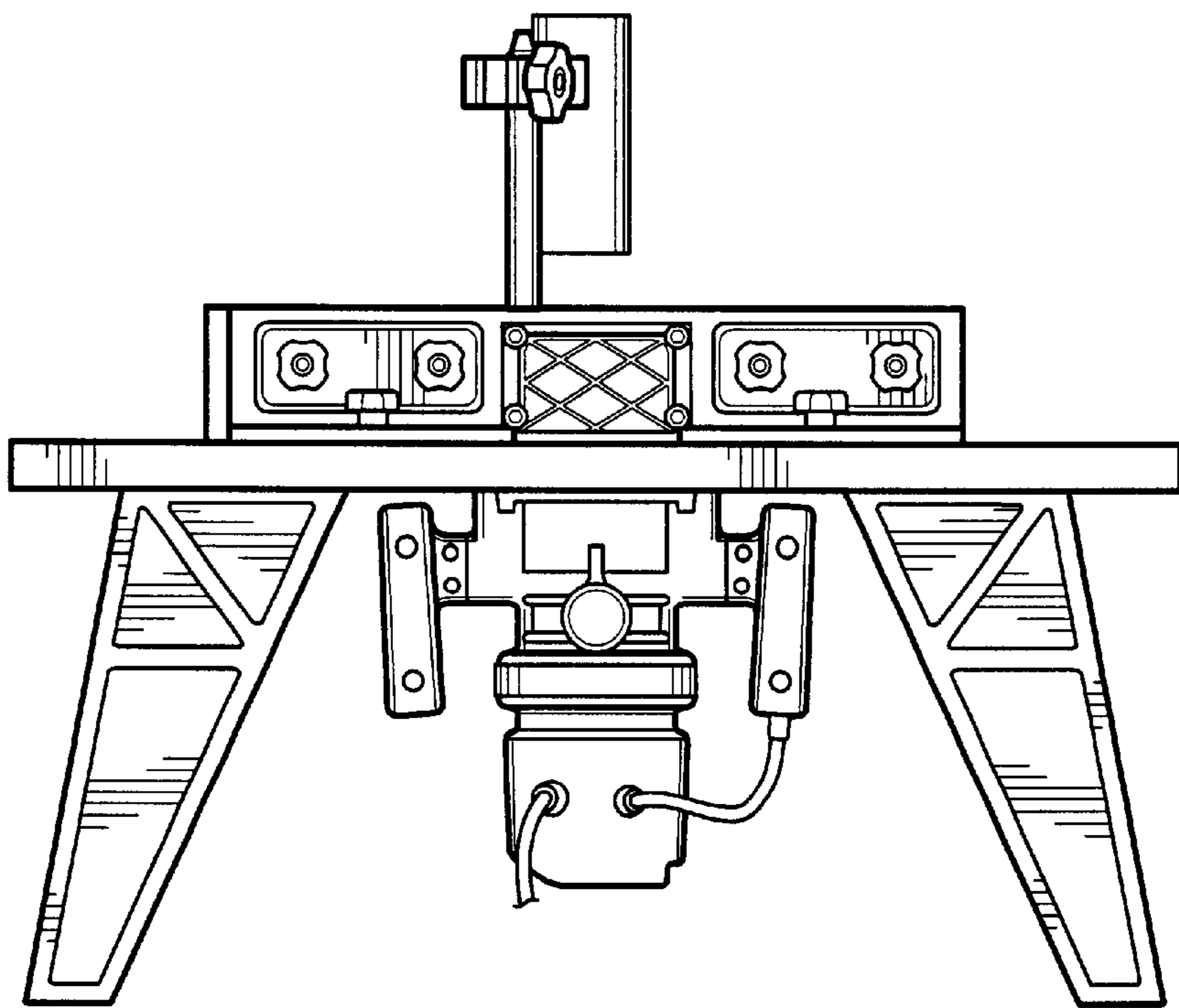


FIG. 4

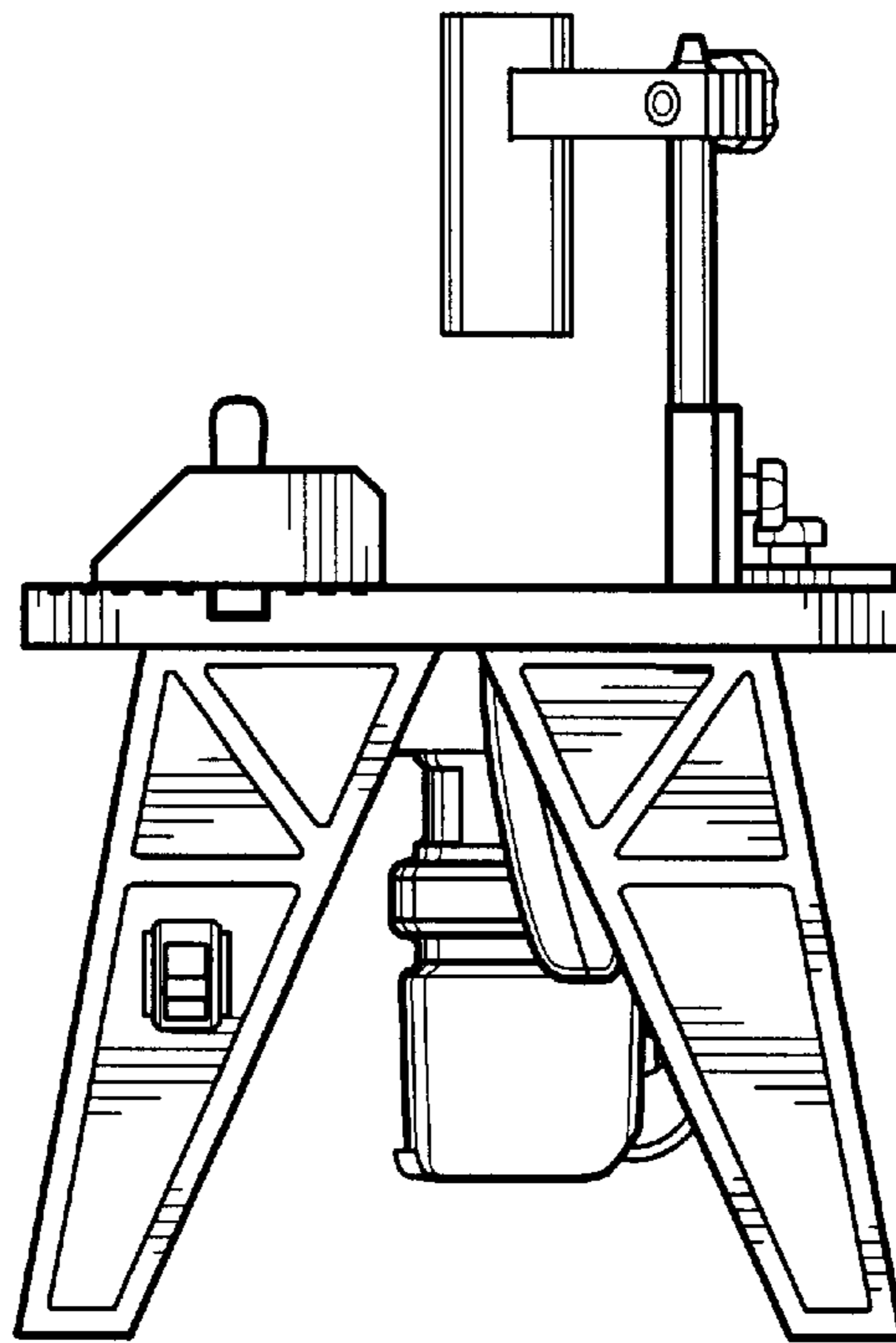


FIG. 5

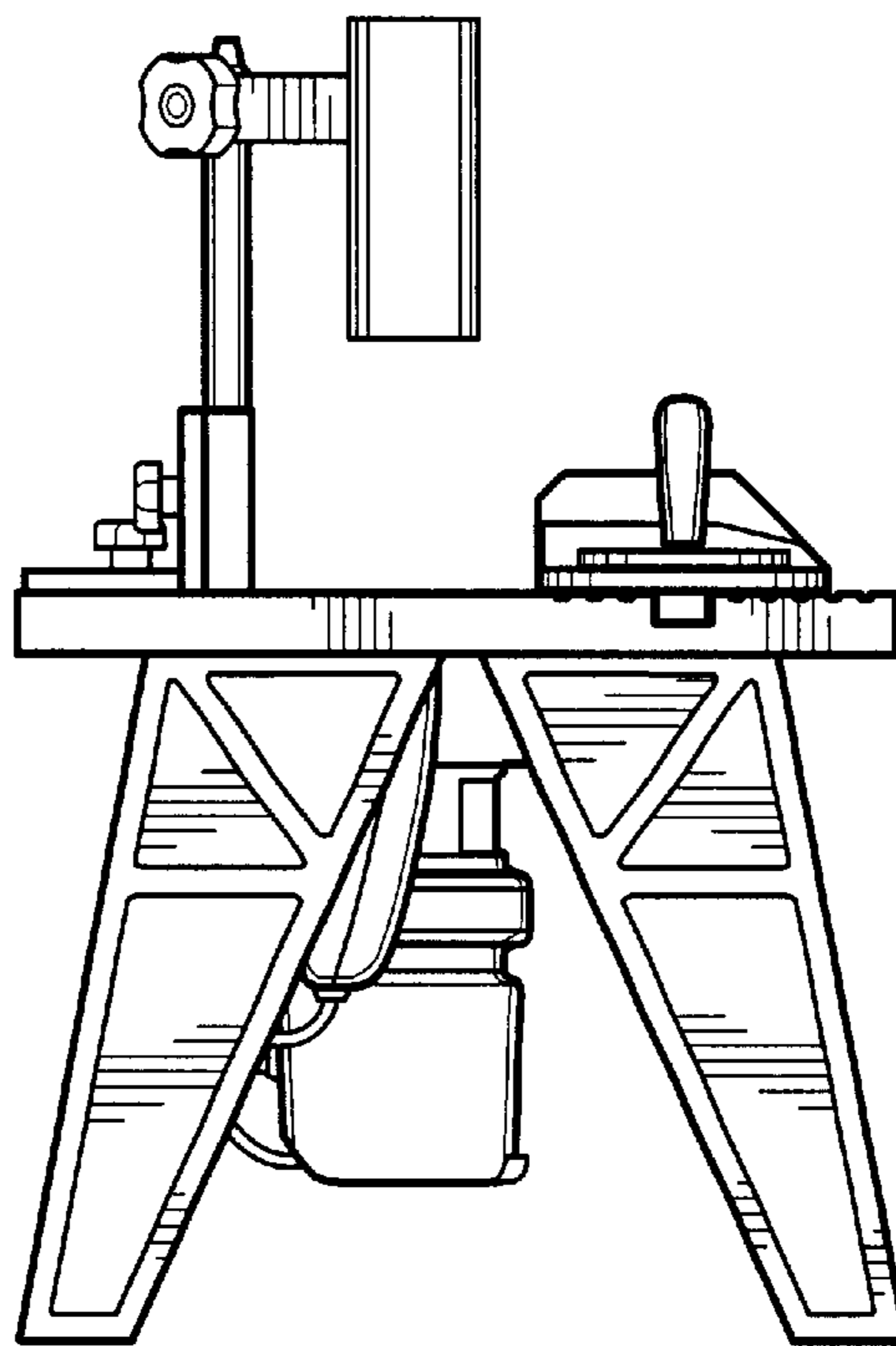


FIG. 6

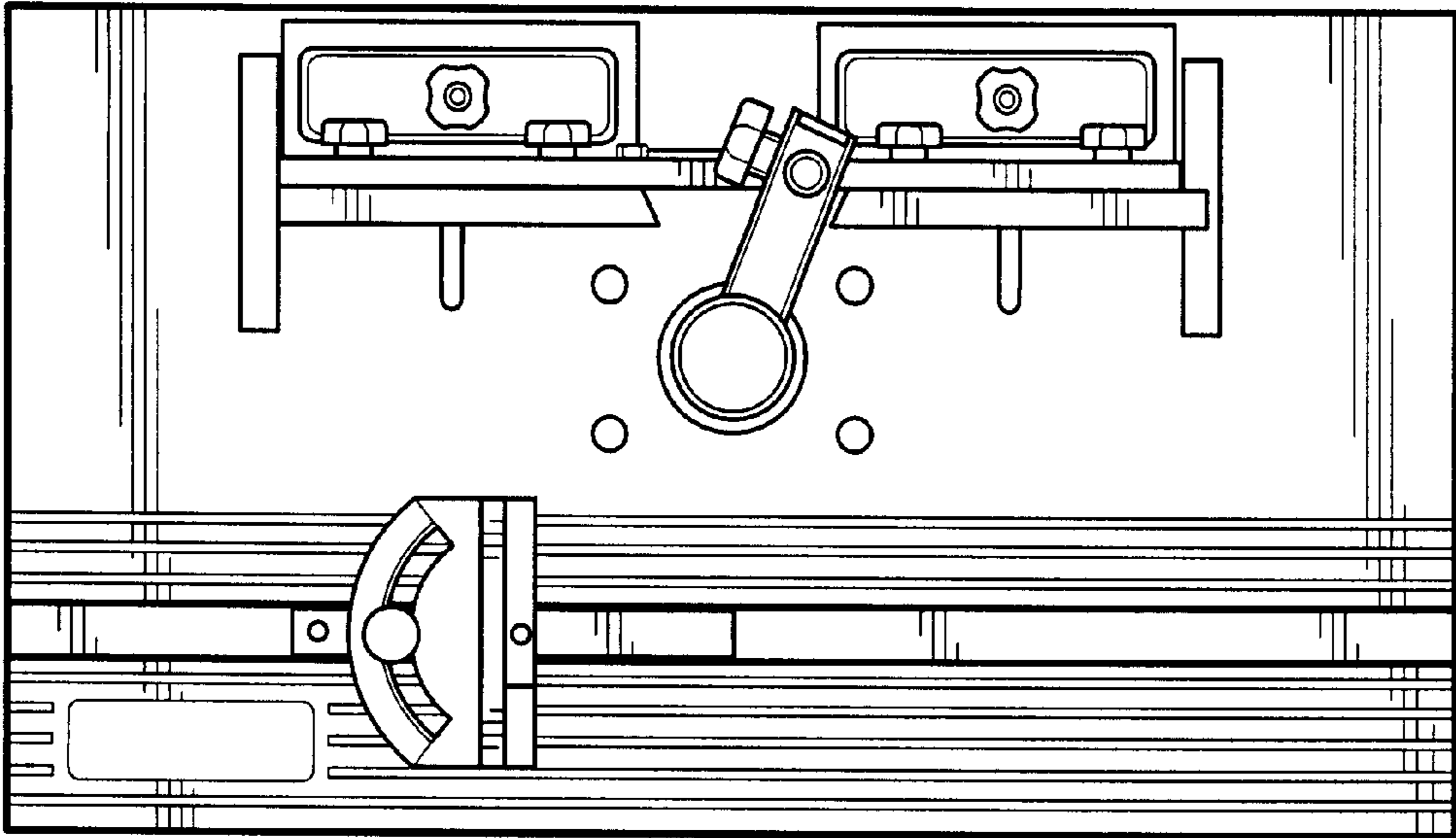


FIG. 7

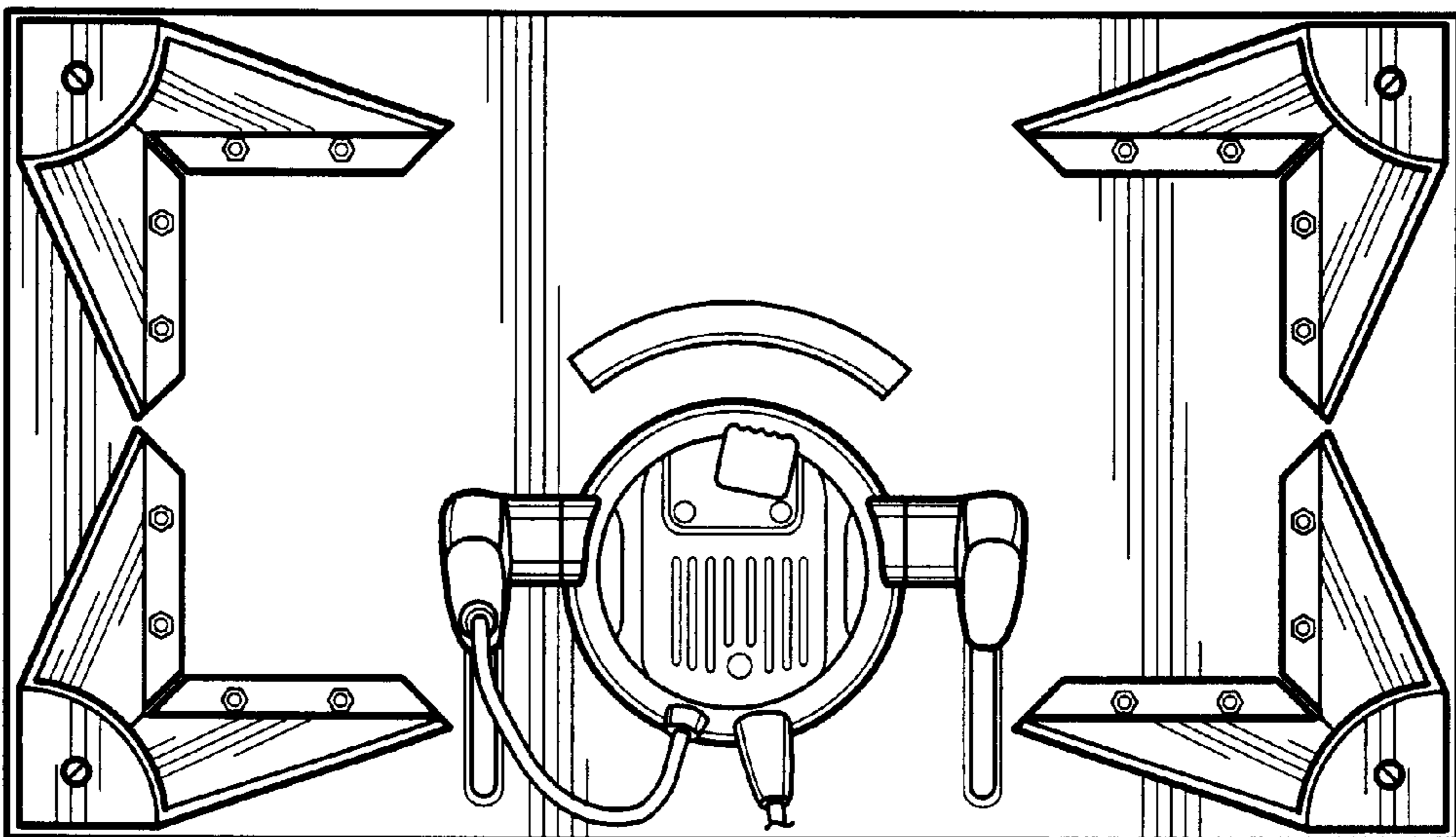


FIG. 8