



US00D487460S

(12) **United States Design Patent**
Lee

(10) **Patent No.:** **US D487,460 S**

(45) **Date of Patent:** **** Mar. 9, 2004**

(54) **EXTERNAL SLOT-IN OPTICAL DISK DRIVE**

(75) Inventor: **In-Shuen Lee, Taipei (TW)**

(73) Assignee: **Lite On It Corporation, Taipei (TW)**

(**) Term: **14 Years**

(21) Appl. No.: **29/171,830**

(22) Filed: **Dec. 2, 2002**

(51) **LOC (7) Cl.** **14-02**

(52) **U.S. Cl.** **D14/368**

(58) **Field of Search** D14/348, 356,
D14/357, 358, 362, 363, 365, 367, 368,
370; 369/75.1, 77.1, 77.2; 361/684, 685,
818

(56) **References Cited**

U.S. PATENT DOCUMENTS

5,617,397	A	*	4/1997	Jones et al.	369/77.2
D408,380	S	*	4/1999	Crohas	D14/109
D410,905	S	*	6/1999	Briggs et al.	D14/367
D422,574	S	*	4/2000	Fujii et al.	D14/109
6,058,089	A	*	5/2000	Youens et al.	369/75.1
D436,959	S	*	1/2001	Reynolds et al.	D14/368
D458,923	S	*	6/2002	Freitag et al.	D14/314

D460,069	S	*	7/2002	Greenhalgh et al.	D14/368
D462,073	S	*	8/2002	Yoon	D14/368
6,512,729	B2	*	1/2003	Shih	369/75.2

* cited by examiner

Primary Examiner—Joel Sincavage

(74) *Attorney, Agent, or Firm*—Birch, Stewart, Kolasch & Birch, LLP

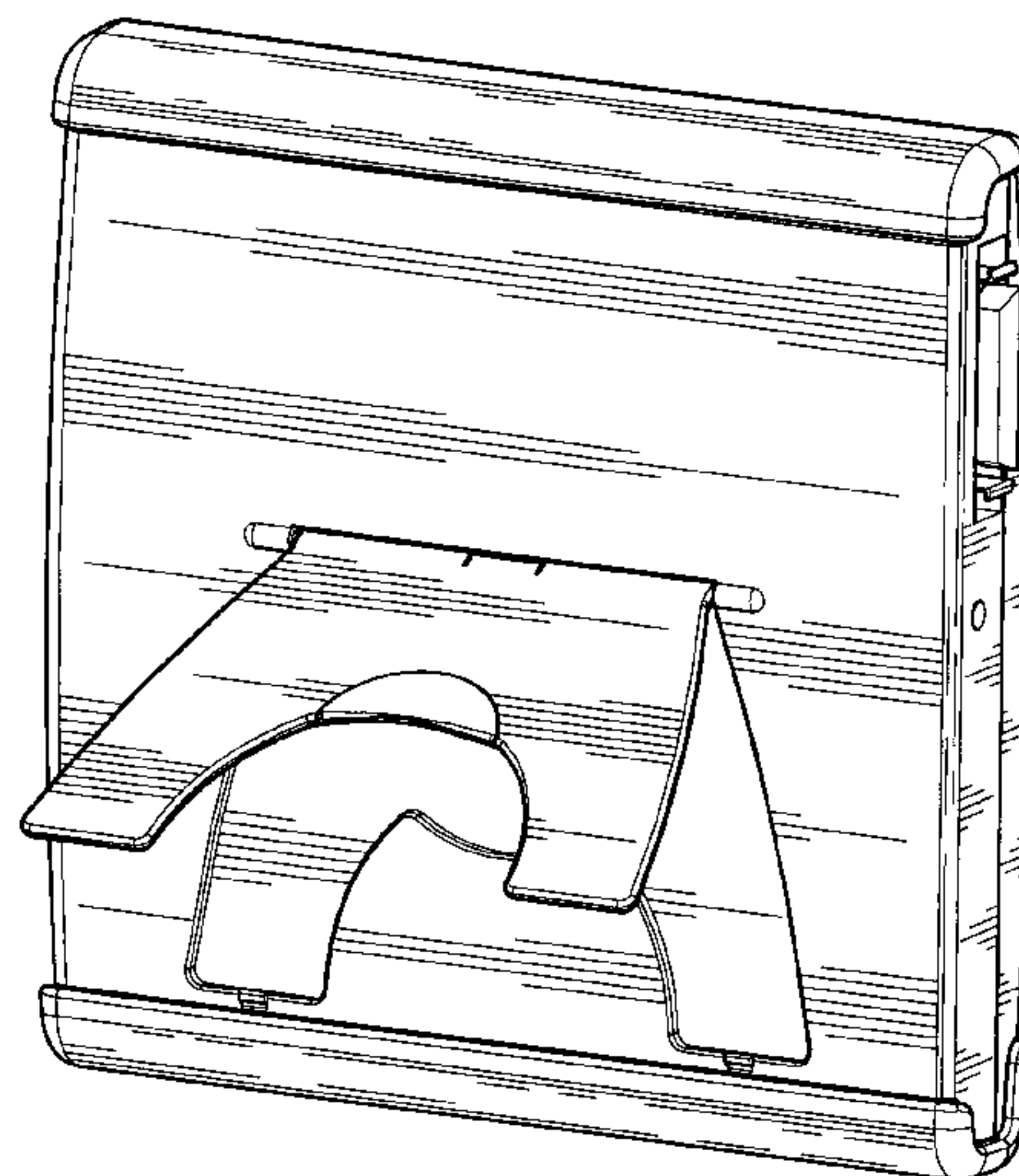
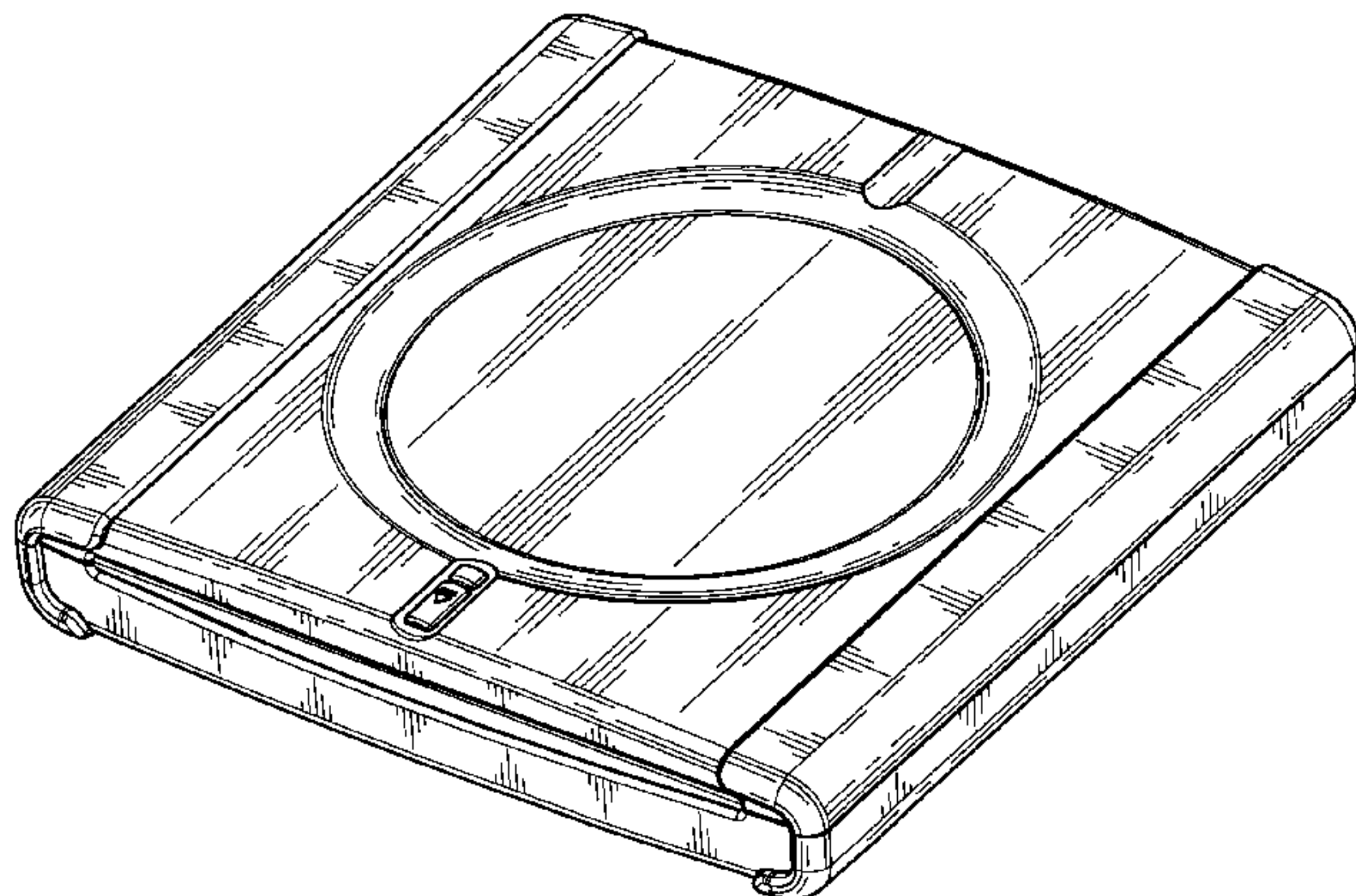
(57) **CLAIM**

The ornamental design for a “external slot-in optical disk drive”, as shown and described.

DESCRIPTION

FIG. 1 is a perspective view of a “external slot-in optical disk drive” showing my new design; FIG. 2 is a front view thereof; FIG. 3 is a rear view thereof; FIG. 4 is a left side view thereof; FIG. 5 is a right side view thereof; FIG. 6 is a top view thereof; FIG. 7 is a bottom view thereof; and, FIG. 8 is a perspective view showing the practical usage thereof.

1 Claim, 6 Drawing Sheets



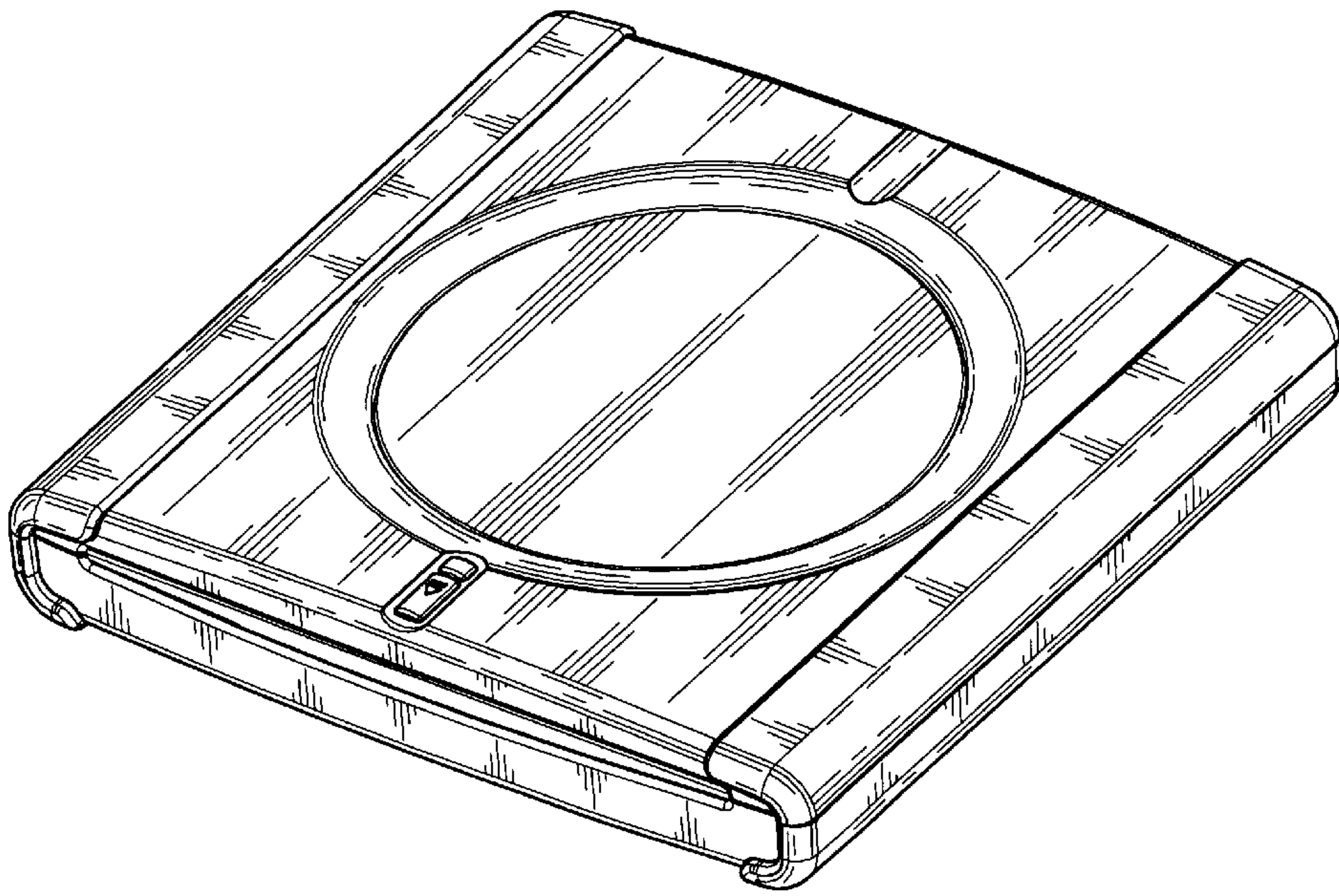


FIG. 1

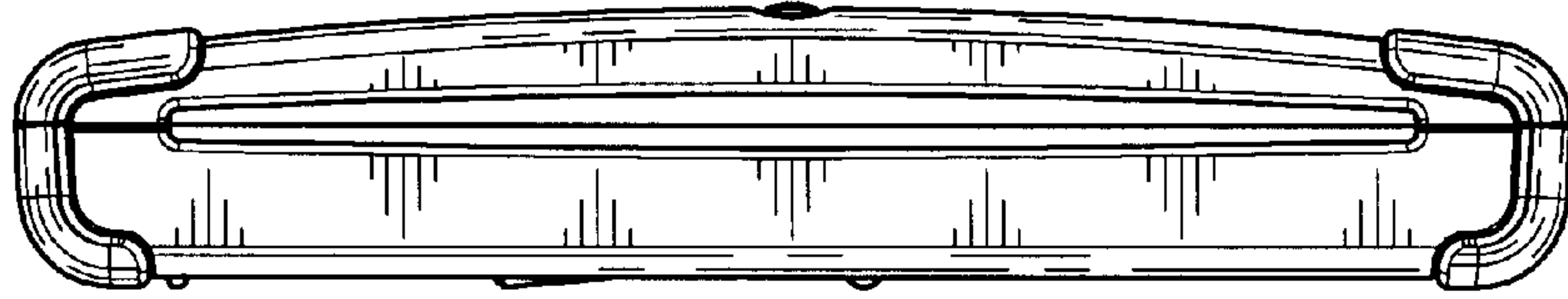


FIG. 2

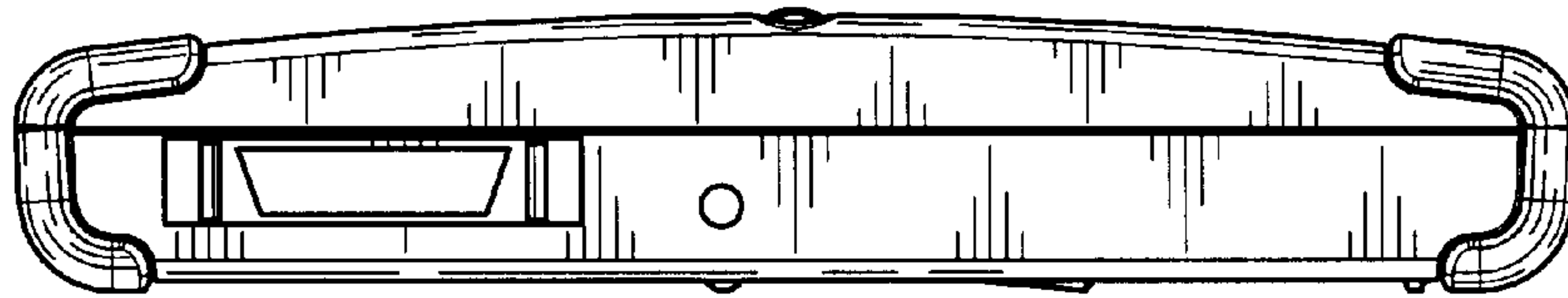


FIG. 3

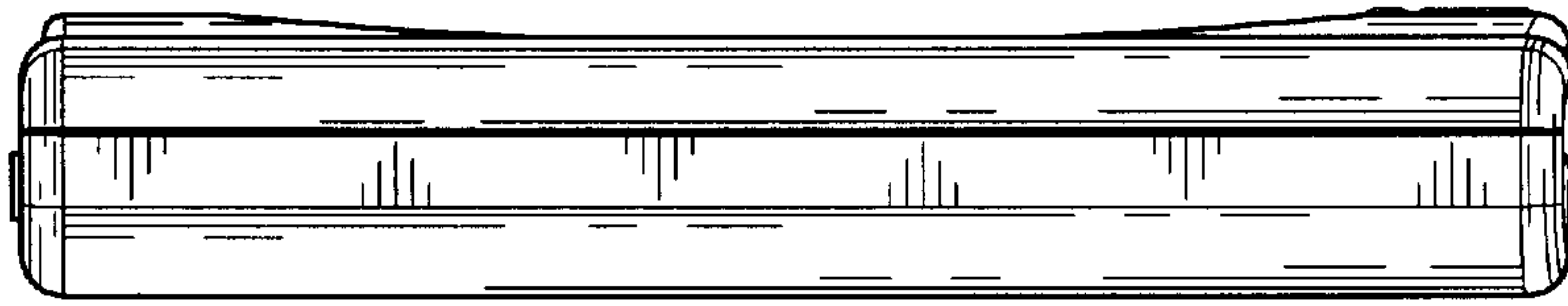


FIG. 4

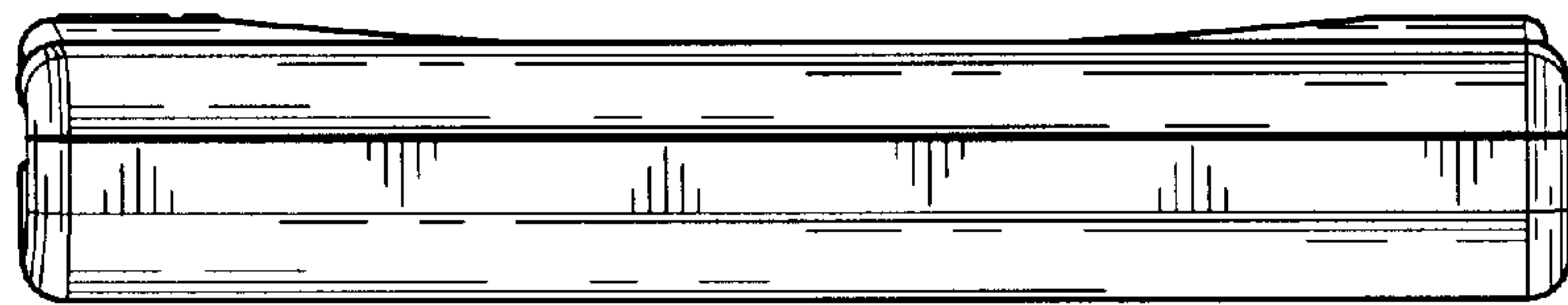


FIG. 5

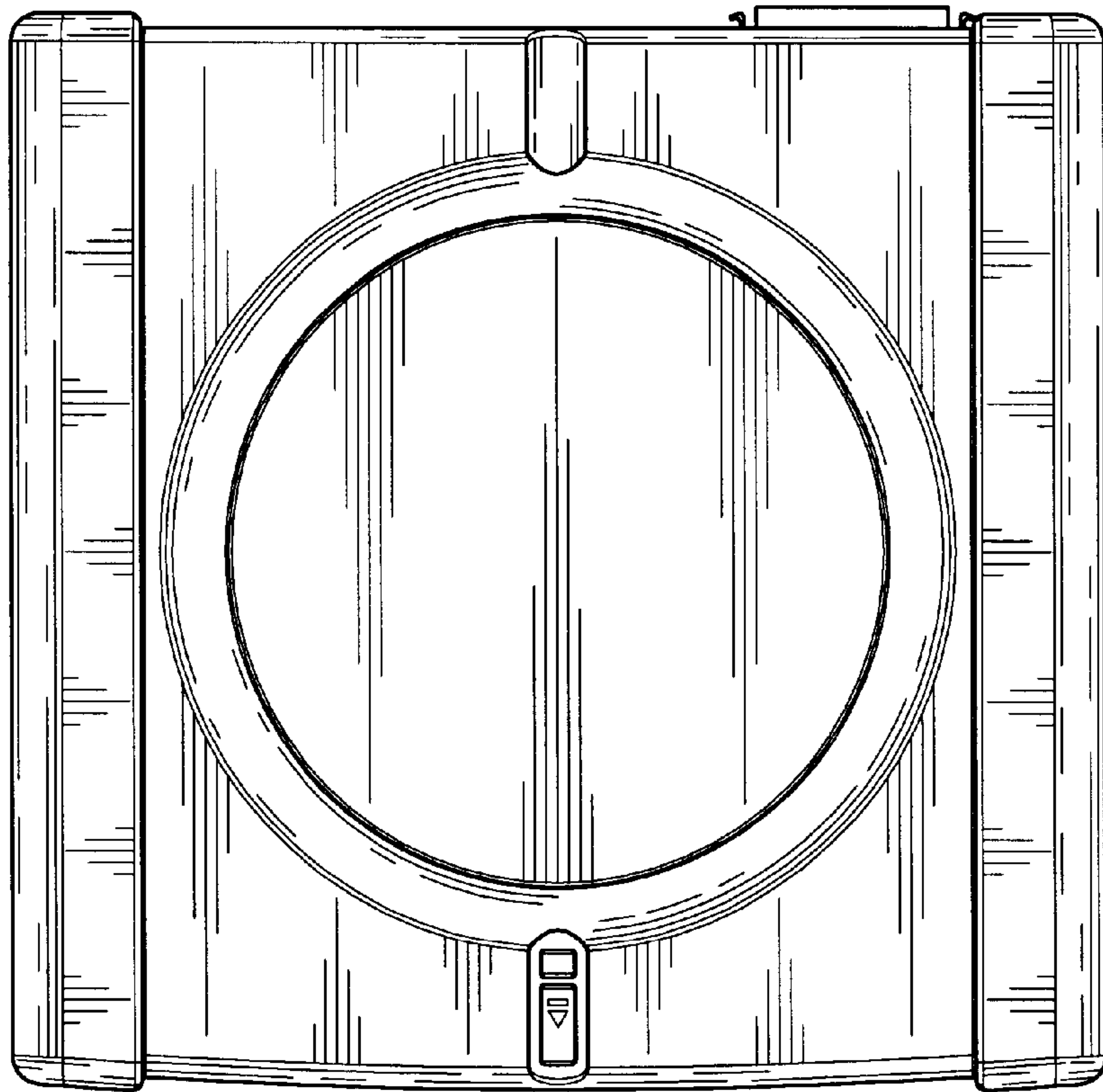


FIG. 6

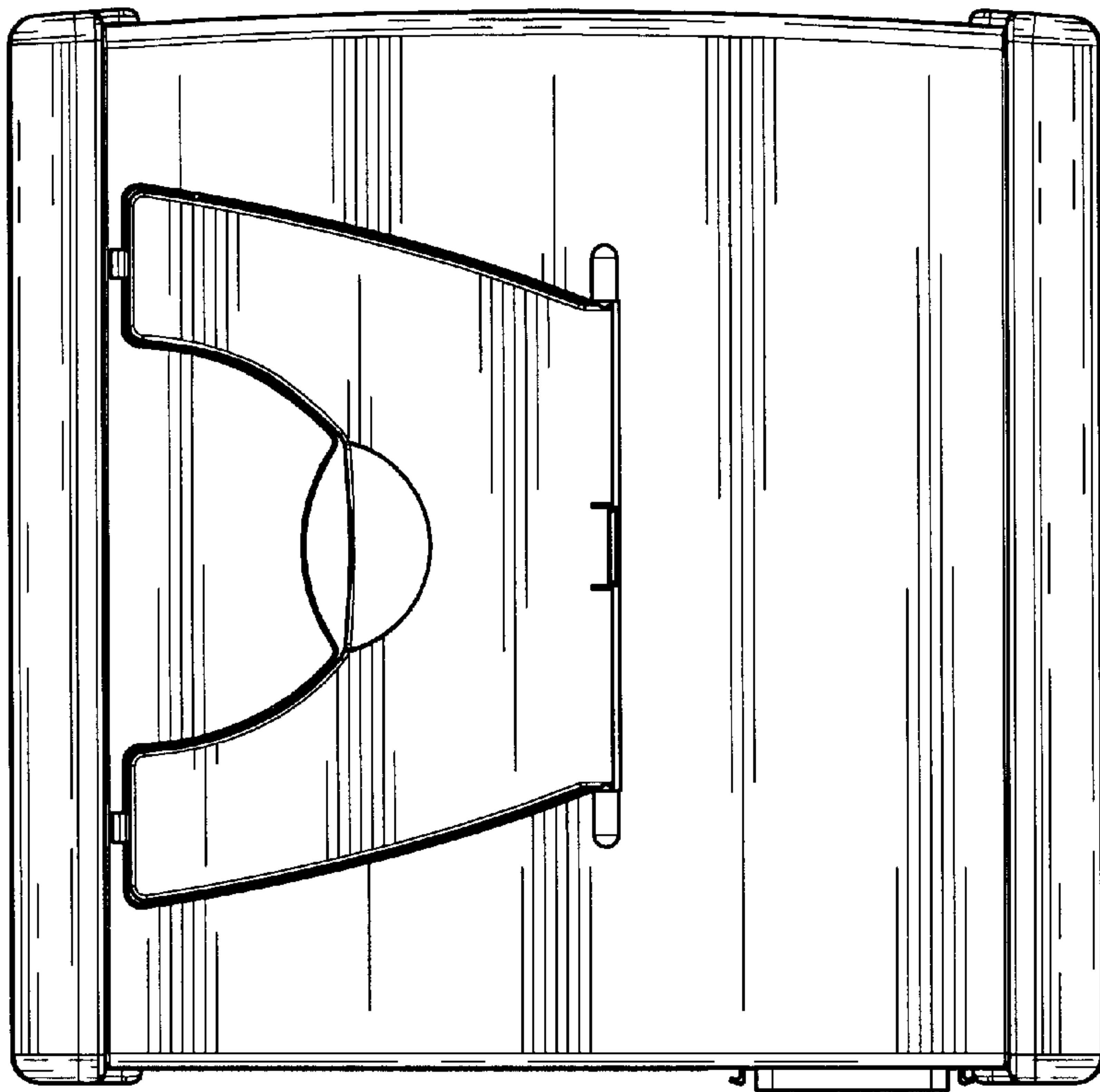


FIG. 7

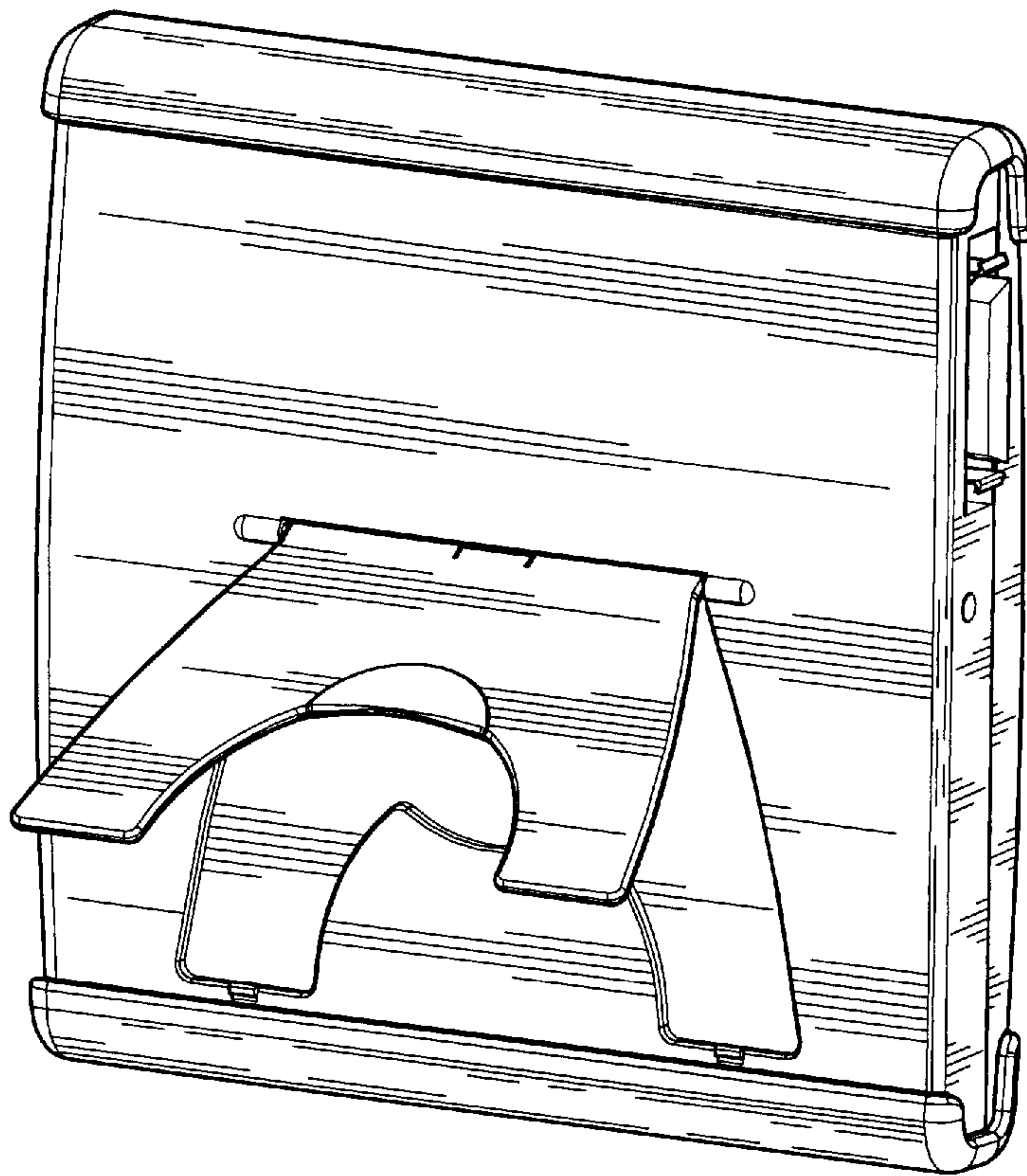


FIG. 8