



US00D487458S

(12) **United States Design Patent**
Gentil et al.

(10) **Patent No.:** **US D487,458 S**

(45) **Date of Patent:** **** Mar. 9, 2004**

(54) **PORTABLE ELECTRONIC STORAGE DEVICE**

(76) Inventors: **Gregoire Alexandre Gentil**, 3312 Vernon Ter., Palo Alto, CA (US) 94303;
Alireza Malekzadeh, 3312 Vernon Ter., Palo Alto, CA (US) 94303

(**) Term: **14 Years**

(21) Appl. No.: **29/169,541**

(22) Filed: **Nov. 22, 2002**

(51) **LOC (7) Cl.** **14-02**

(52) **U.S. Cl.** **D14/356**

(58) **Field of Search** D14/348, 356-358, D14/362-363, 365, 367-368, 385, 433; 711/115; 361/684, 685; 369/75.1, 77.1, 77.2; 360/245.8; 365/52, 53

(56) **References Cited**

U.S. PATENT DOCUMENTS

| | | | | | |
|--------------|---|---------|--------------|-------|---------|
| 5,696,928 A | * | 12/1997 | Grewe et al. | | 379/67 |
| D444,788 S | * | 7/2001 | Do et al. | | D14/433 |
| D445,422 S | * | 7/2001 | Hsin | | D14/385 |
| D449,615 S | * | 10/2001 | Lloyd | | D14/433 |
| 6,385,677 B1 | * | 5/2002 | Yao | | 710/102 |
| D463,426 S | * | 9/2002 | Cheng | | D14/356 |
| D465,784 S | * | 11/2002 | Lin | | D14/433 |
| 6,546,460 B1 | * | 4/2003 | Iida et al. | | 711/115 |

| | | | | | |
|-----------------|---|--------|---------------|-------|---------|
| 6,567,273 B1 | * | 5/2003 | Liu et al. | | 361/737 |
| 2002/0078297 A1 | * | 6/2002 | Toyama et al. | | 711/115 |
| 2003/0167376 A1 | * | 9/2003 | Koh | | 711/115 |

* cited by examiner

Primary Examiner—Joel Sincavage
(74) *Attorney, Agent, or Firm*—Stevens Law Group

(57) **CLAIM**

The ornamental design for a portable electronic storage device, as shown and described.

DESCRIPTION

FIG. 1 is a top view of a portable electronic storage device illustrating the new design.

FIG. 2 is a front view of a portable electronic storage device illustrating the new design.

FIG. 3 is a left side view of a portable electronic storage device illustrating the new design.

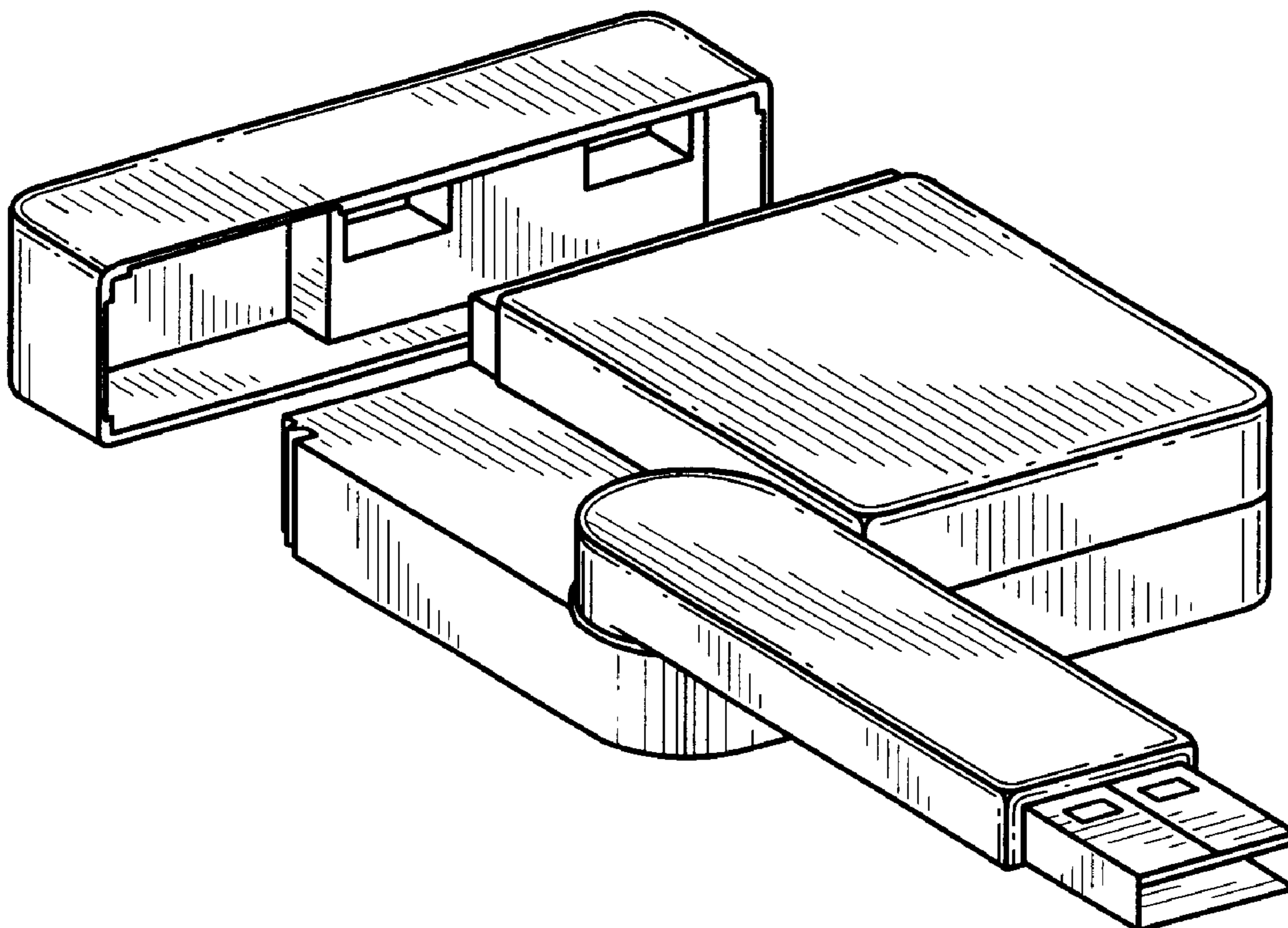
FIG. 4 is a right side view of a portable electronic storage device illustrating the new design.

FIG. 5 is a bottom view of a portable electronic storage device illustrating the new design.

FIG. 6 is a back view of a portable electronic storage device illustrating the new design; and,

FIG. 7 is a perspective and open view of a portable electronic storage device illustrating the new design.

1 Claim, 3 Drawing Sheets



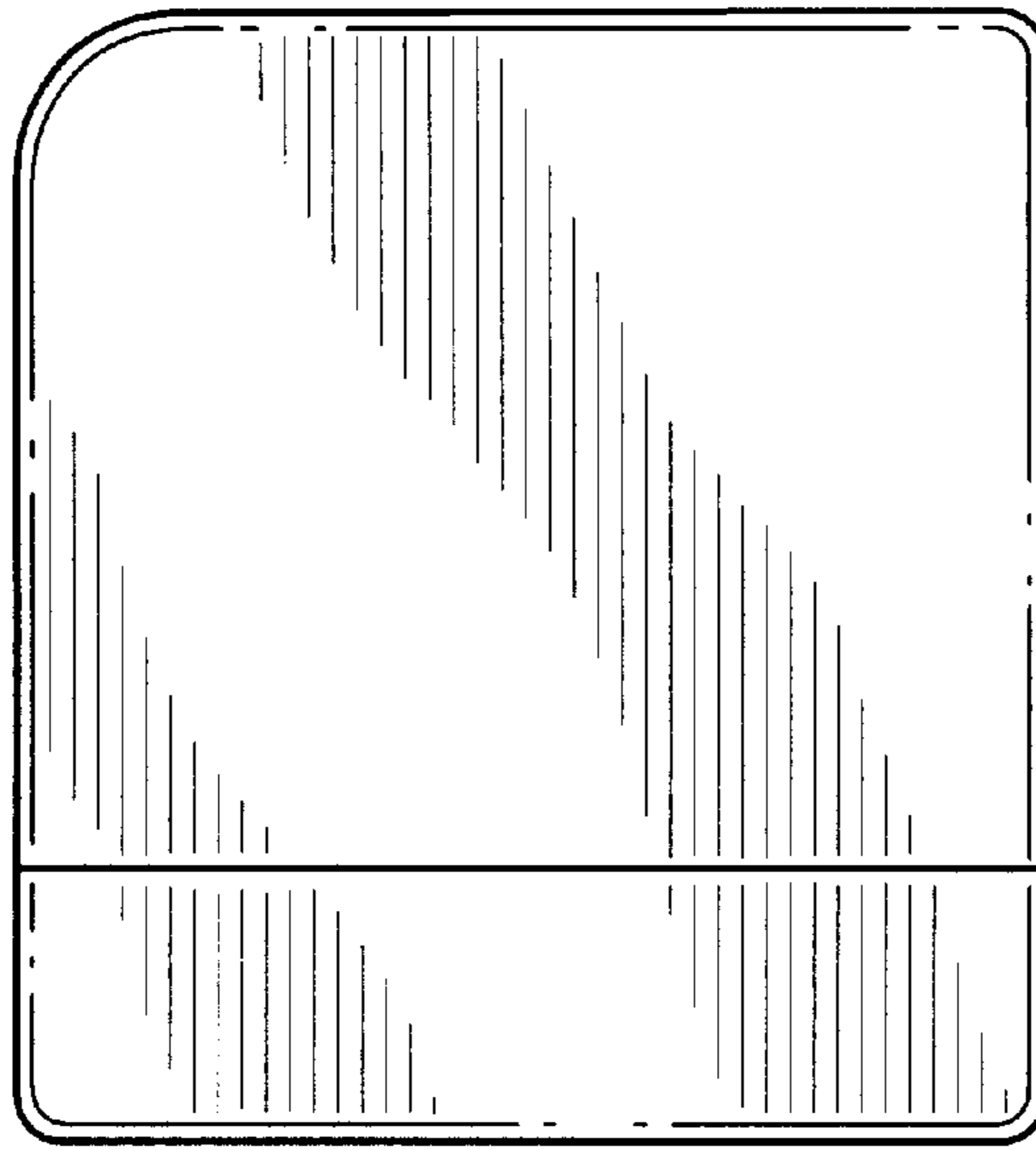


FIG. 1

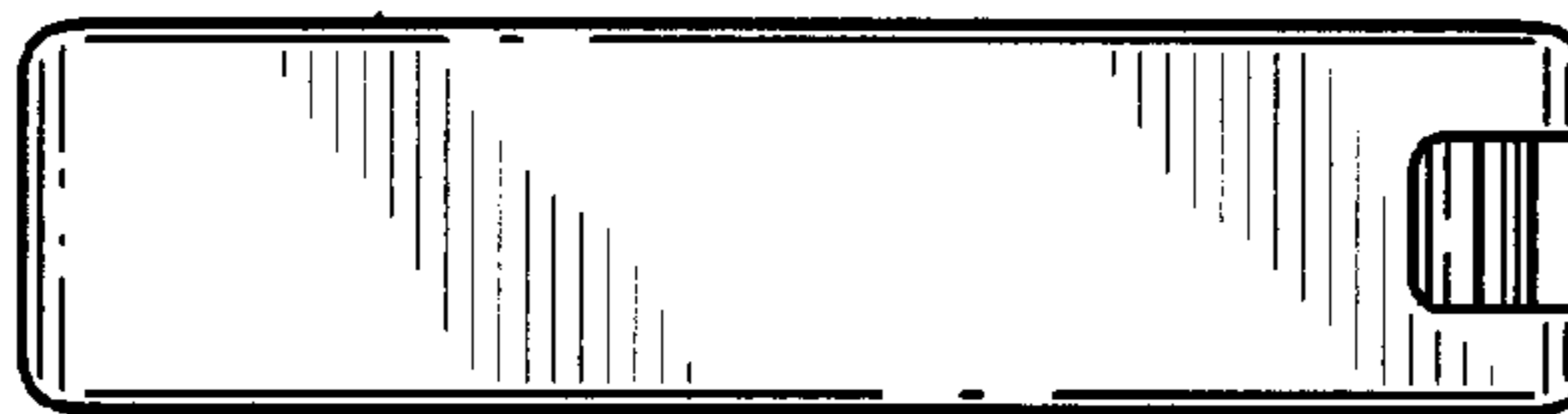


FIG. 2

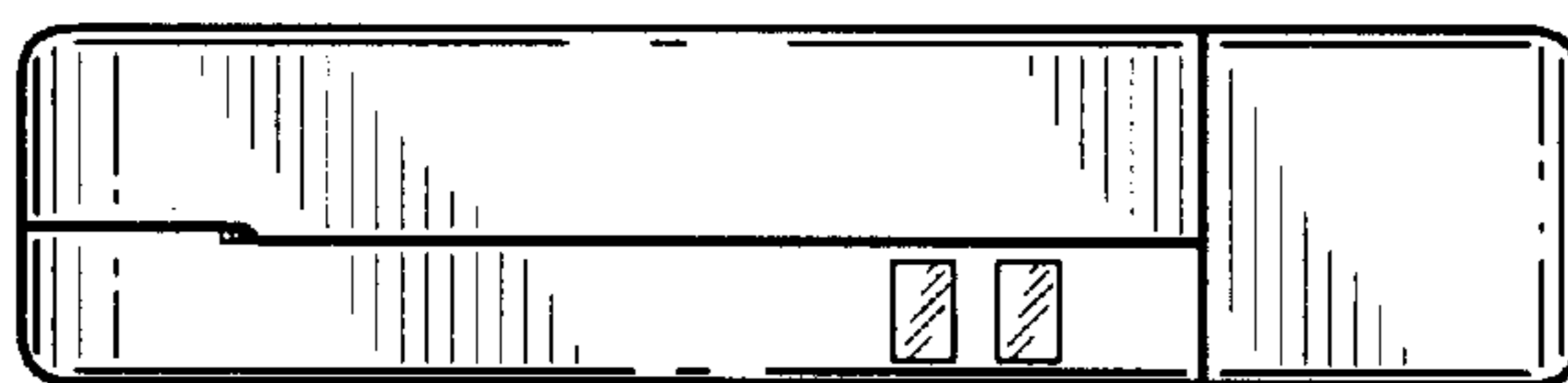


FIG. 3

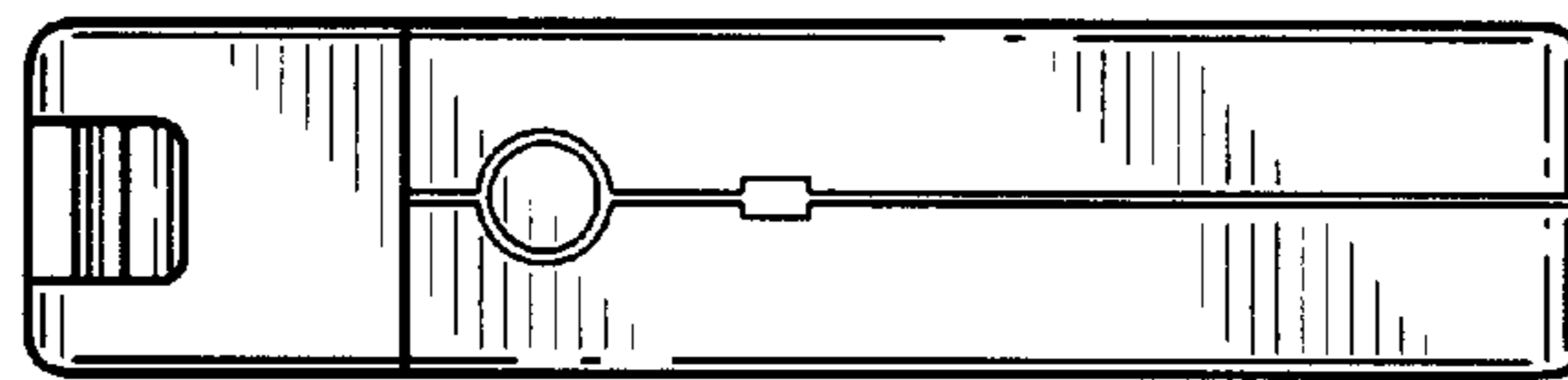


FIG. 4

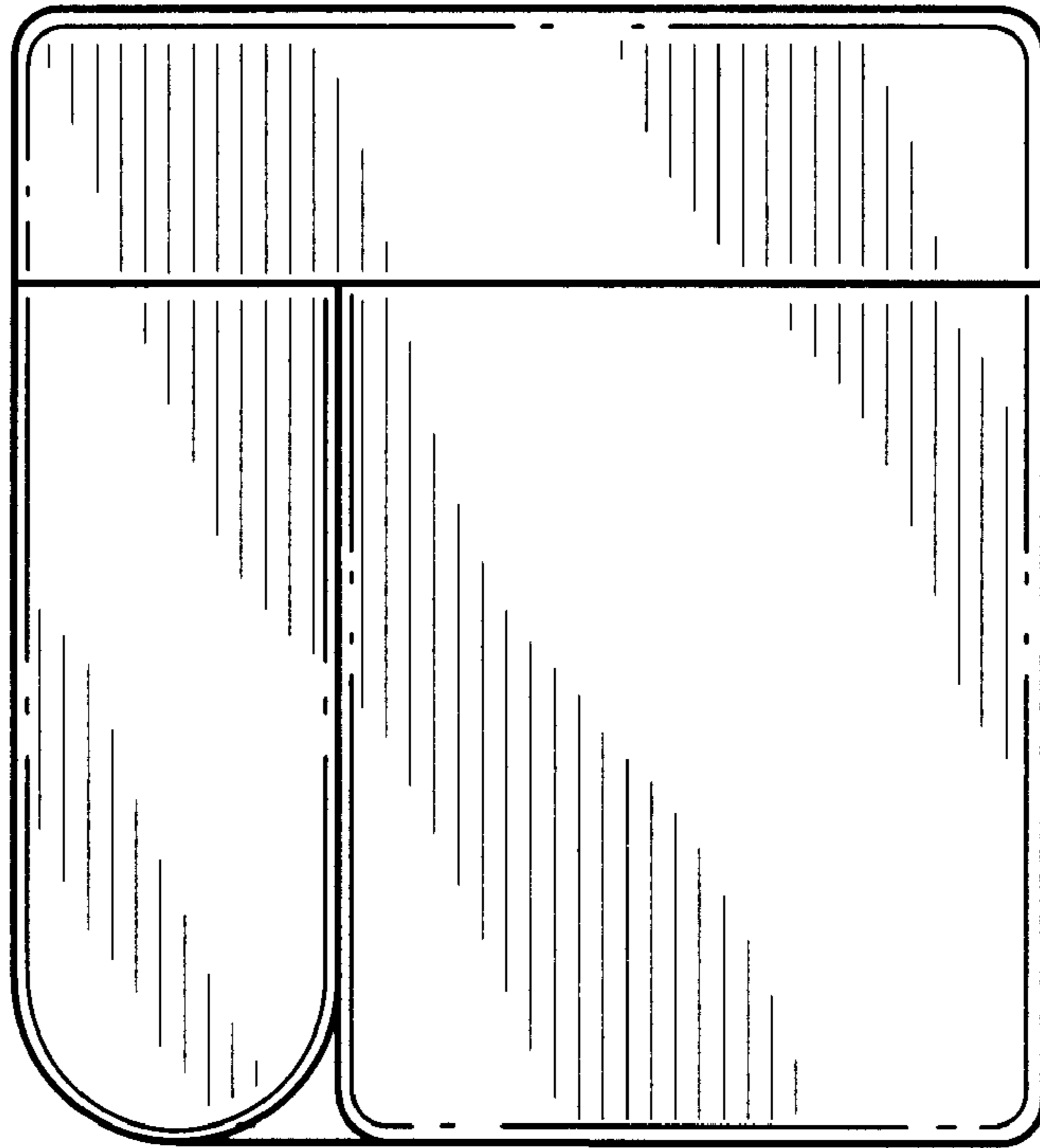


FIG. 5

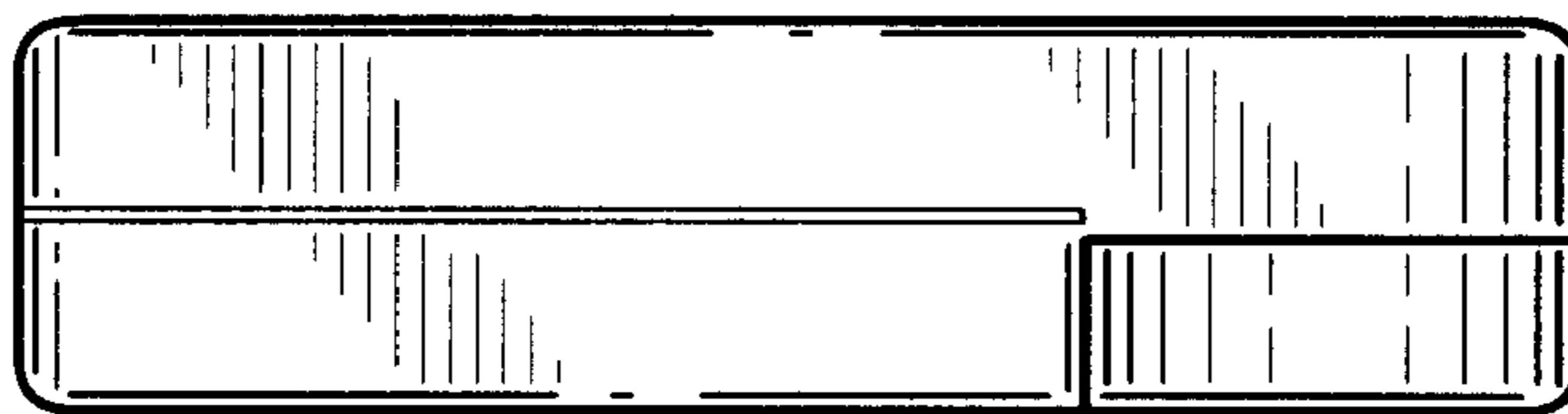


FIG. 6

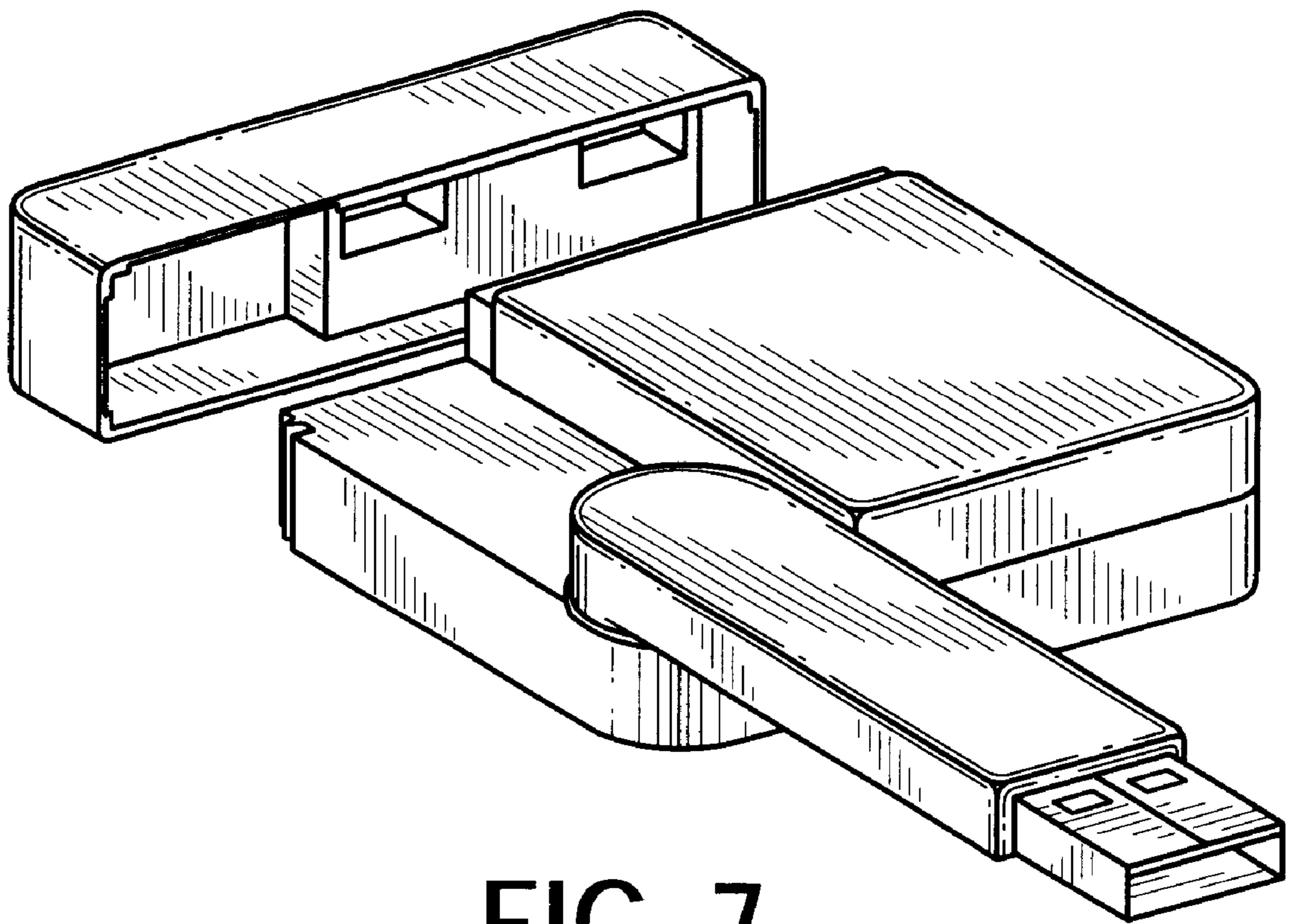


FIG. 7