



US00D487455S

(12) **United States Design Patent**  
**Asahina et al.**

(10) **Patent No.:** **US D487,455 S**

(45) **Date of Patent:** **\*\* Mar. 9, 2004**

(54) **TELEPHONE RECEIVER WITH A SPEAKER**

(75) Inventors: **Masato Asahina**, Yamanashi-ken (JP);  
**Masahito Furuya**, Yamanashi-ken (JP)

(73) Assignee: **Citizen Electronics Co., Ltd.**,  
Yamanashi-ken (JP)

(\*\*) Term: **14 Years**

(21) Appl. No.: **29/165,069**

(22) Filed: **Aug. 6, 2002**

(51) **LOC (7) Cl.** ..... **14-03**

(52) **U.S. Cl.** ..... **D14/248**; D14/216; D14/249

(58) **Field of Search** ..... D14/137, 138,  
D14/218, 147-148, 247-24, 249, 212, 144,  
240, 204, 210, 341-347, 216, 215; 379/433.01-433.13,  
419, 434, 428.01-428.04, 420.01-420.04,  
440, 437, 447, 451, 452; 455/550.1-90.3;  
D21/517; 381/396; 181/153

(56) **References Cited**

**U.S. PATENT DOCUMENTS**

D274,429 S	*	6/1984	Walker, Jr.	.....	D14/249
D274,516 S	*	7/1984	Walker, Jr.	.....	D14/249
D301,332 S	*	5/1989	Schwartz	.....	D13/168
D320,798 S	*	10/1991	Holt	.....	D14/249
5,166,984 A	*	11/1992	Hsiao	.....	381/199
5,195,142 A	*	3/1993	D'Avolio et al.	.....	381/173
5,231,659 A	*	7/1993	Abraham et al.	.....	379/433
D362,442 S	*	9/1995	Goldfarb	.....	D14/216
D376,593 S	*	12/1996	Riggs	.....	D14/137
D384,076 S	*	9/1997	Lazzeroni et al.	.....	D14/216
D395,898 S	*	7/1998	Suzuki	.....	D14/249
6,072,887 A	*	6/2000	Wei	.....	381/412
D446,785 S	*	8/2001	Ohta	.....	D14/216
D469,071 S	*	1/2003	Hsu	.....	D14/142

D469,417 S	*	1/2003	Hsu	.....	D14/142
D469,418 S	*	1/2003	Hsu	.....	D14/142
6,570,992 B1	*	5/2003	Folan et al.	.....	381/365
2002/0114473 A1	*	8/2002	Kuwabara	.....	381/87
2003/0044040 A1	*	3/2003	Lee	.....	381/396
2003/0059079 A1	*	3/2003	Asahina	.....	381/396
2003/0076969 A1	*	4/2003	Han	.....	381/165
2003/0086562 A1	*	5/2003	Wong	.....	379/420.1
2003/0095680 A1	*	5/2003	Kim	.....	381/409

**OTHER PUBLICATIONS**

<http://www.c-e.co.jp/e/products/index4.html>, (c)1999, site visited Sep. 23, 2003, Multi-function Receiver and Speaker CSR Series.\*

\* cited by examiner

*Primary Examiner*—Jeffrey Asch  
(74) *Attorney, Agent, or Firm*—Dennison, Schultz,  
Dougherty & MacDonald

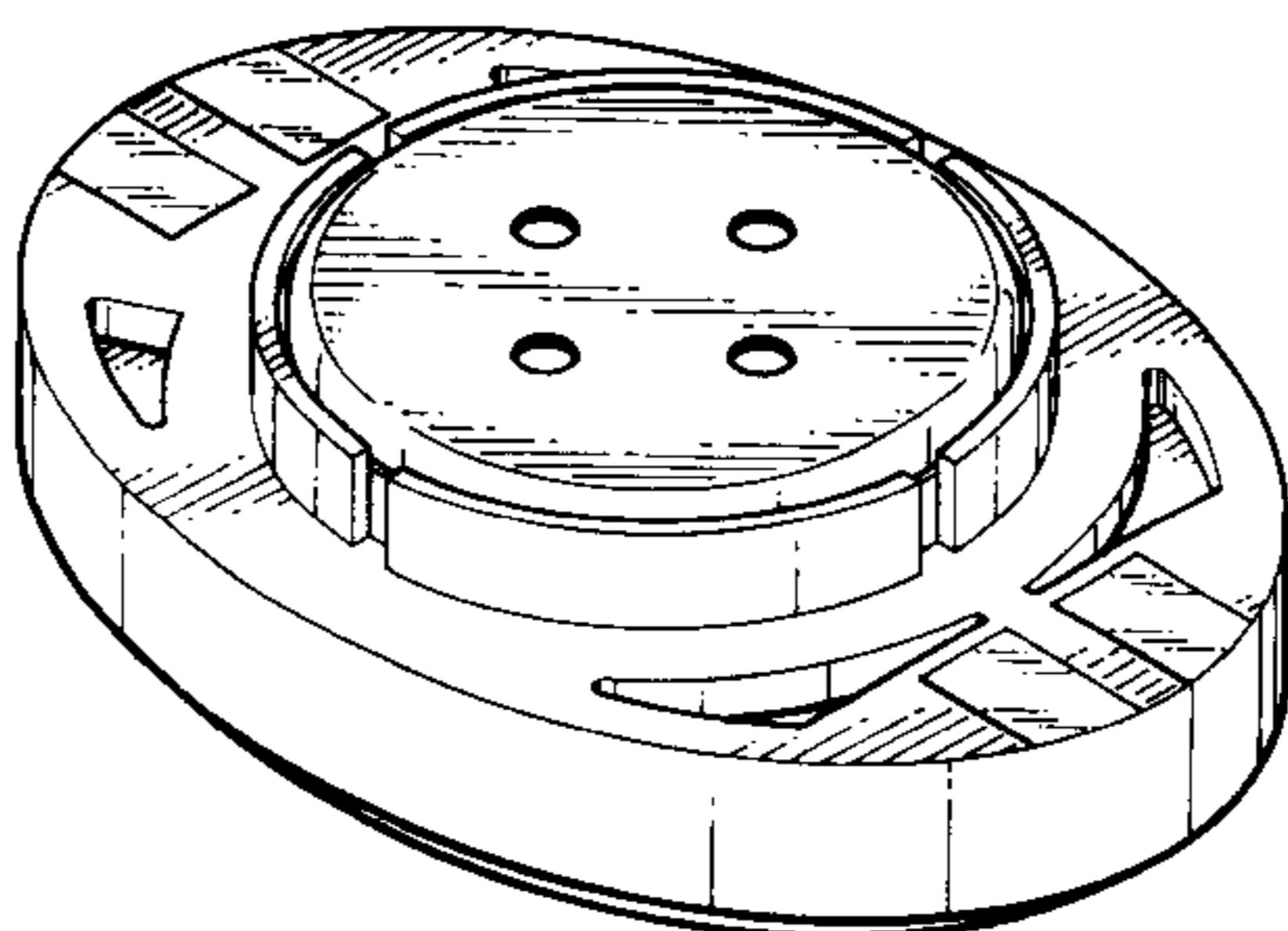
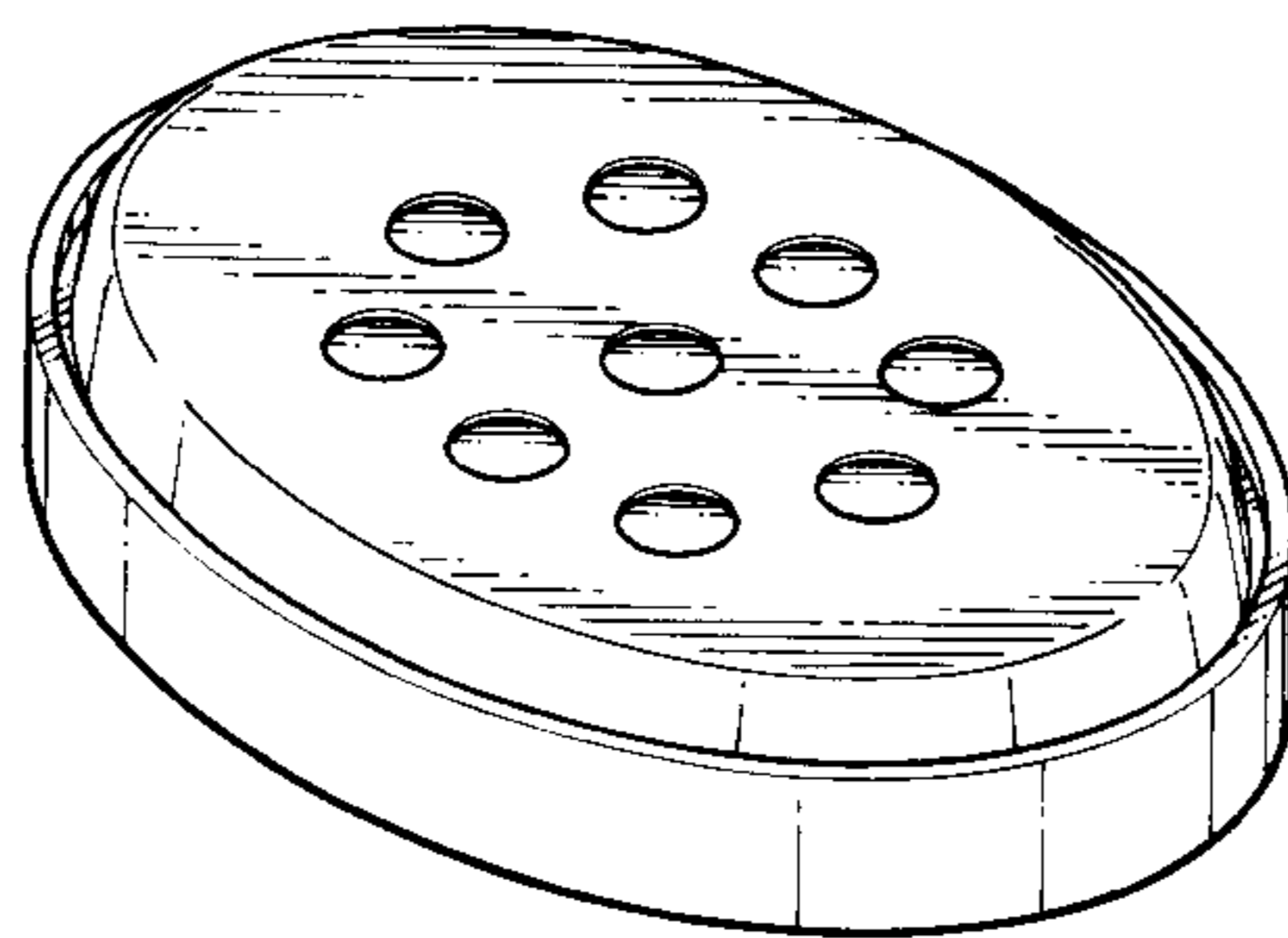
(57) **CLAIM**

The ornamental design for a telephone receiver with a speaker, as shown and described.

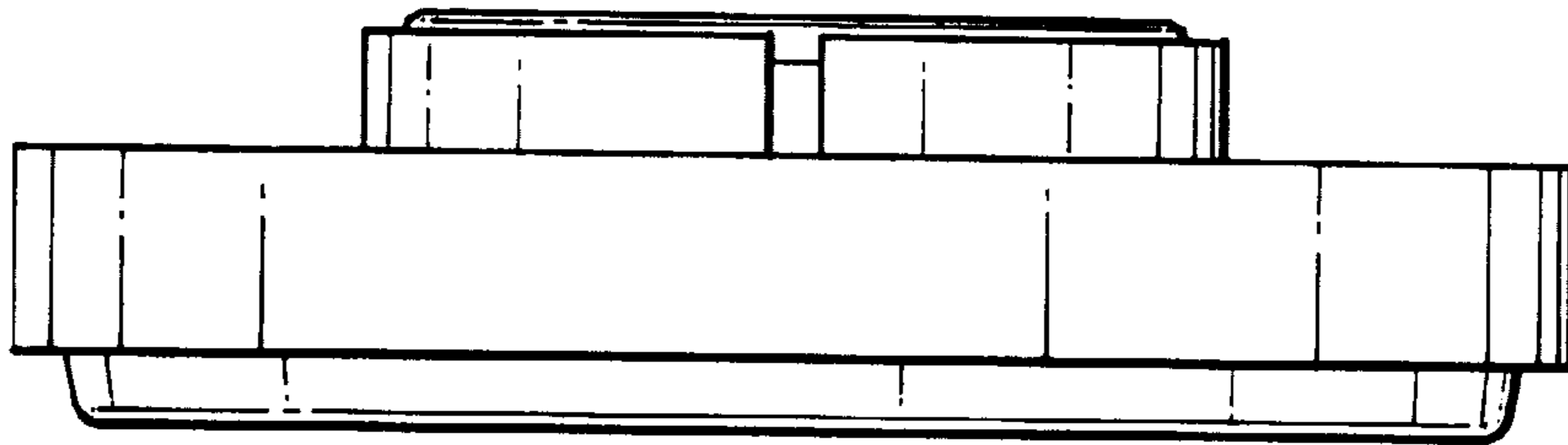
**DESCRIPTION**

FIG. 1 is a front view of a telephone receiver with a speaker embodying our new design;  
FIG. 2 is a top plan view thereof;  
FIG. 3 is a rear view thereof;  
FIG. 4 is a bottom view thereof;  
FIG. 5 is a right side view thereof;  
FIG. 6 is a left side view thereof;  
FIG. 7 is a perspective view of the telephone receiver; and,  
FIG. 8 is a perspective view as viewed from the portion below the telephone receiver.

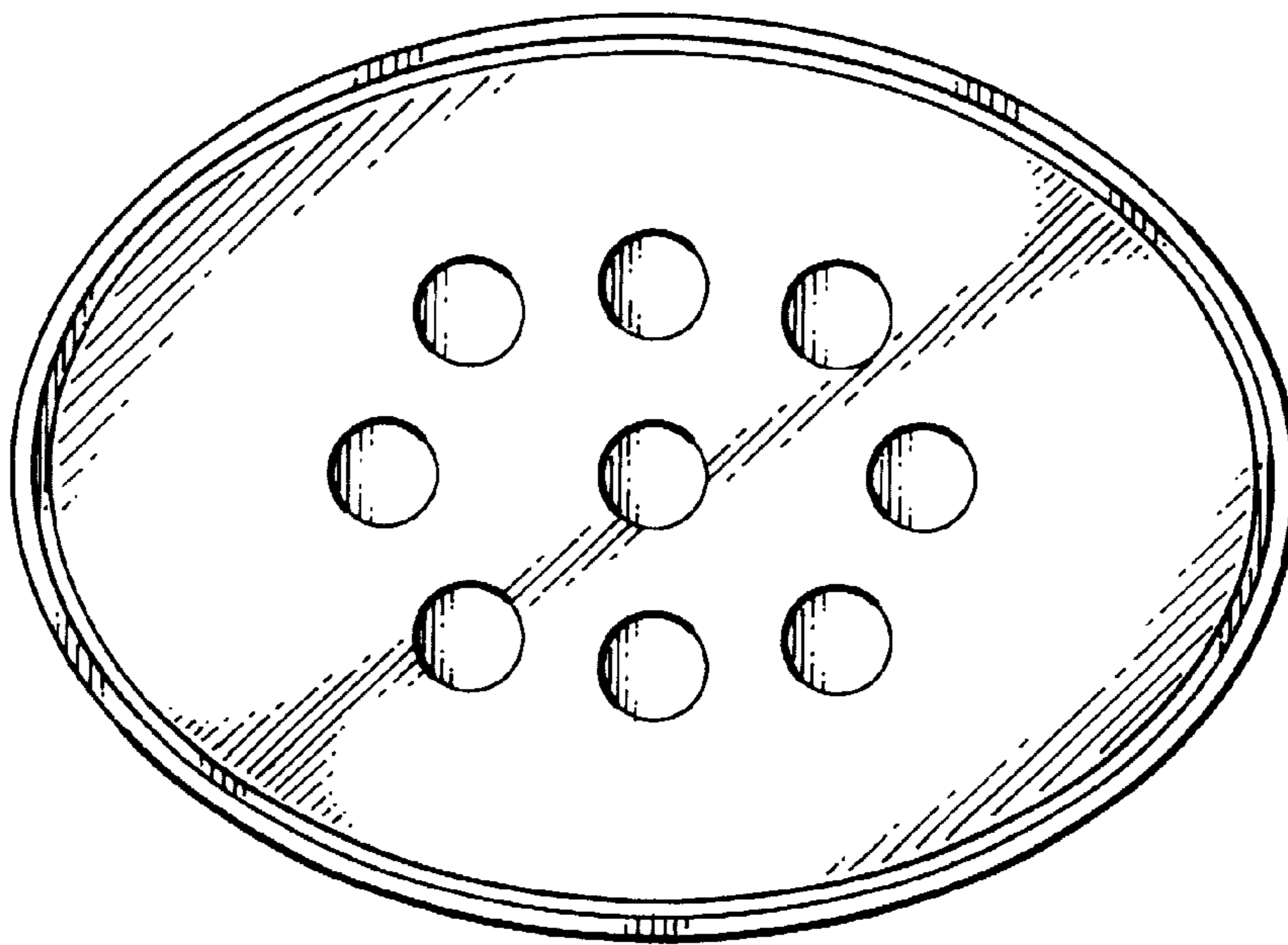
**1 Claim, 4 Drawing Sheets**



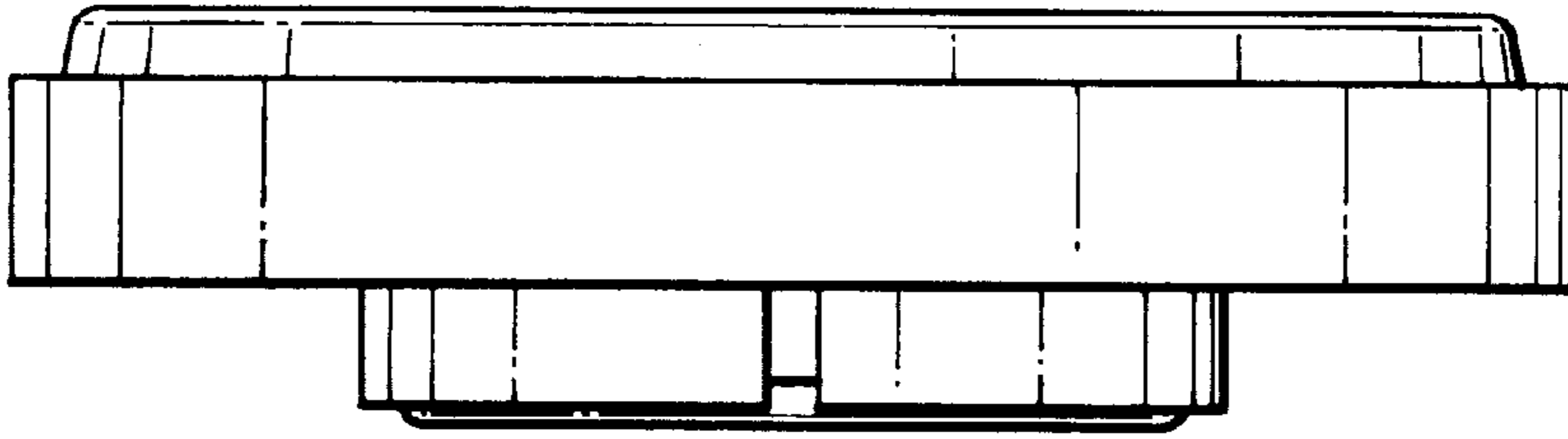
*Fig. 1*



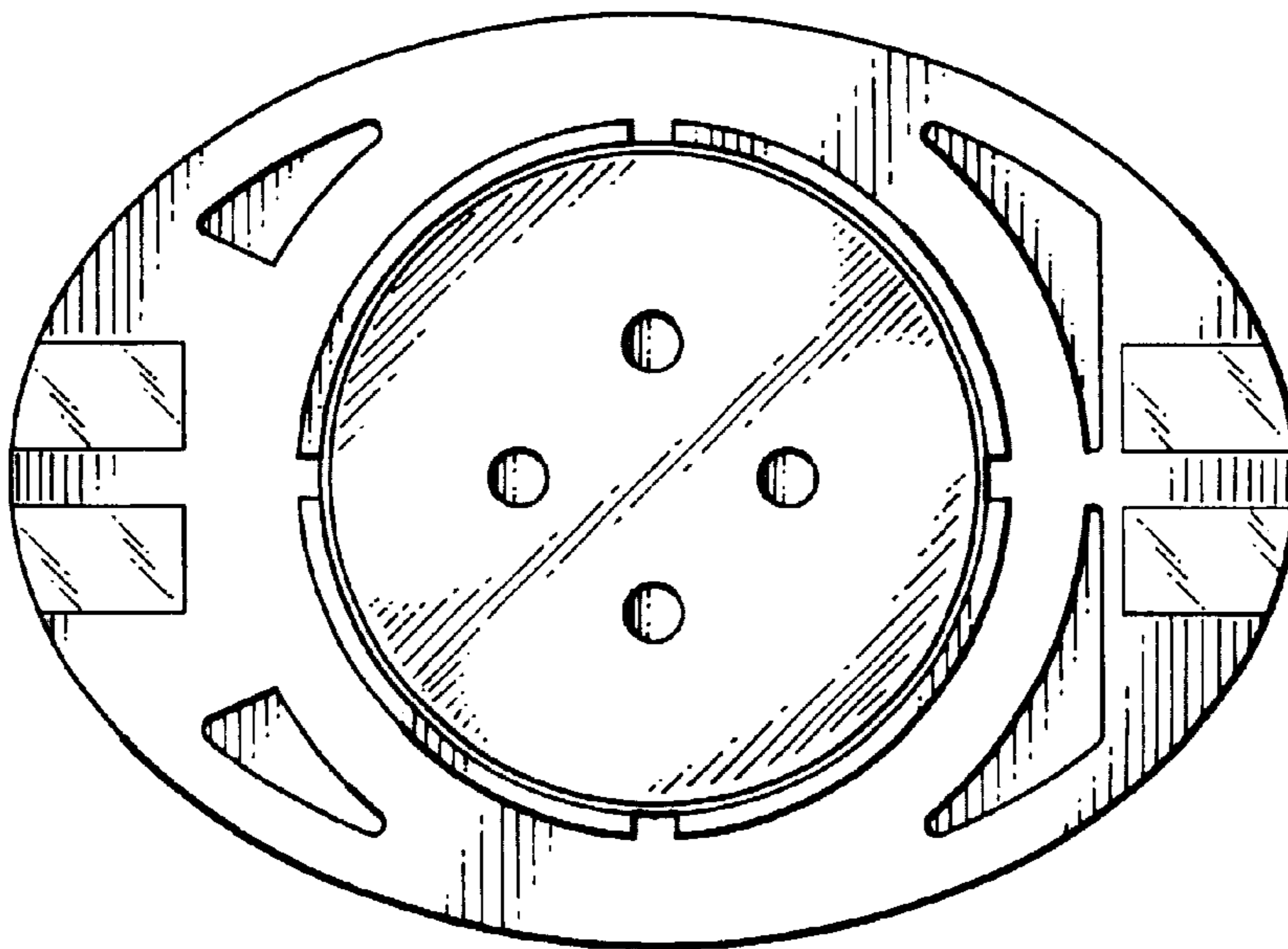
*Fig. 2*



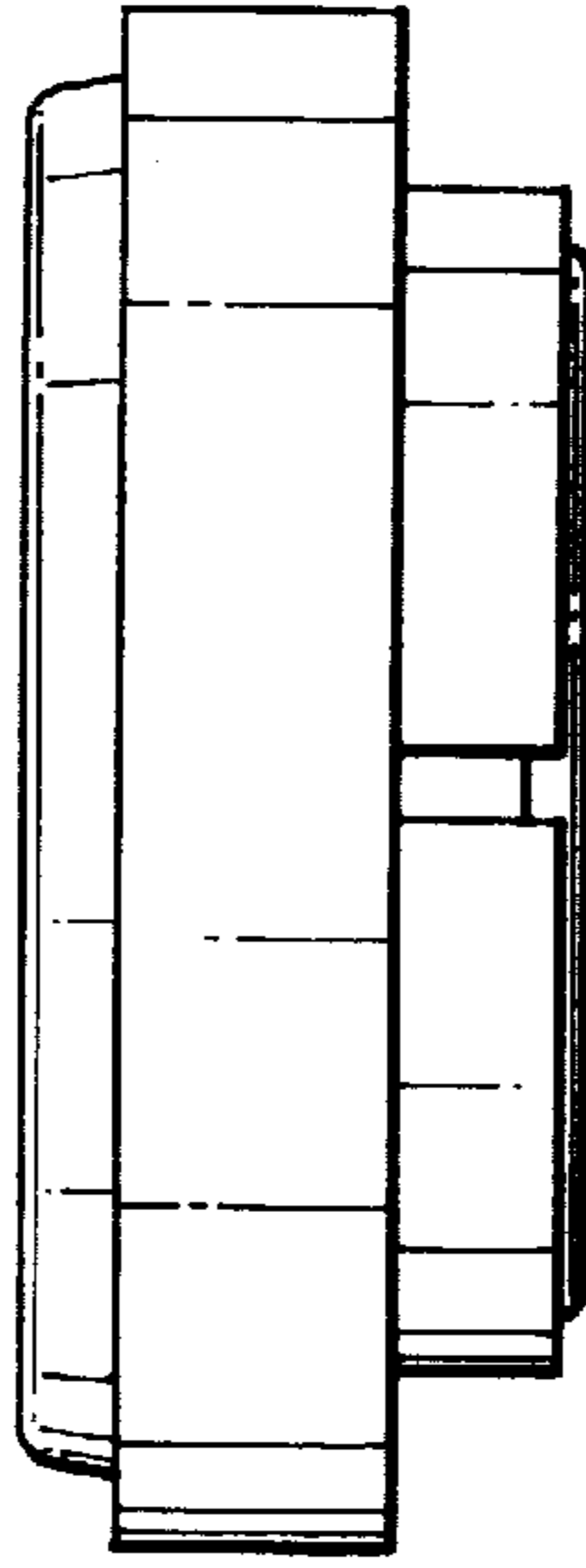
*Fig. 3*



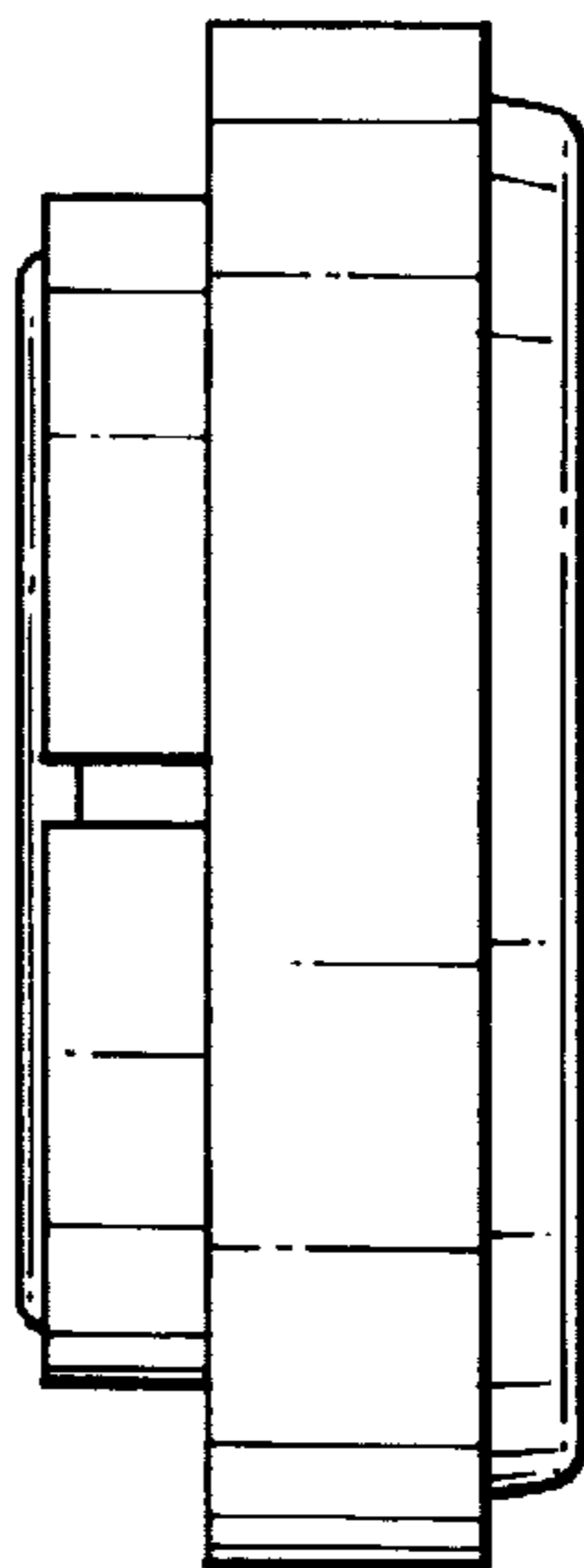
*Fig. 4*



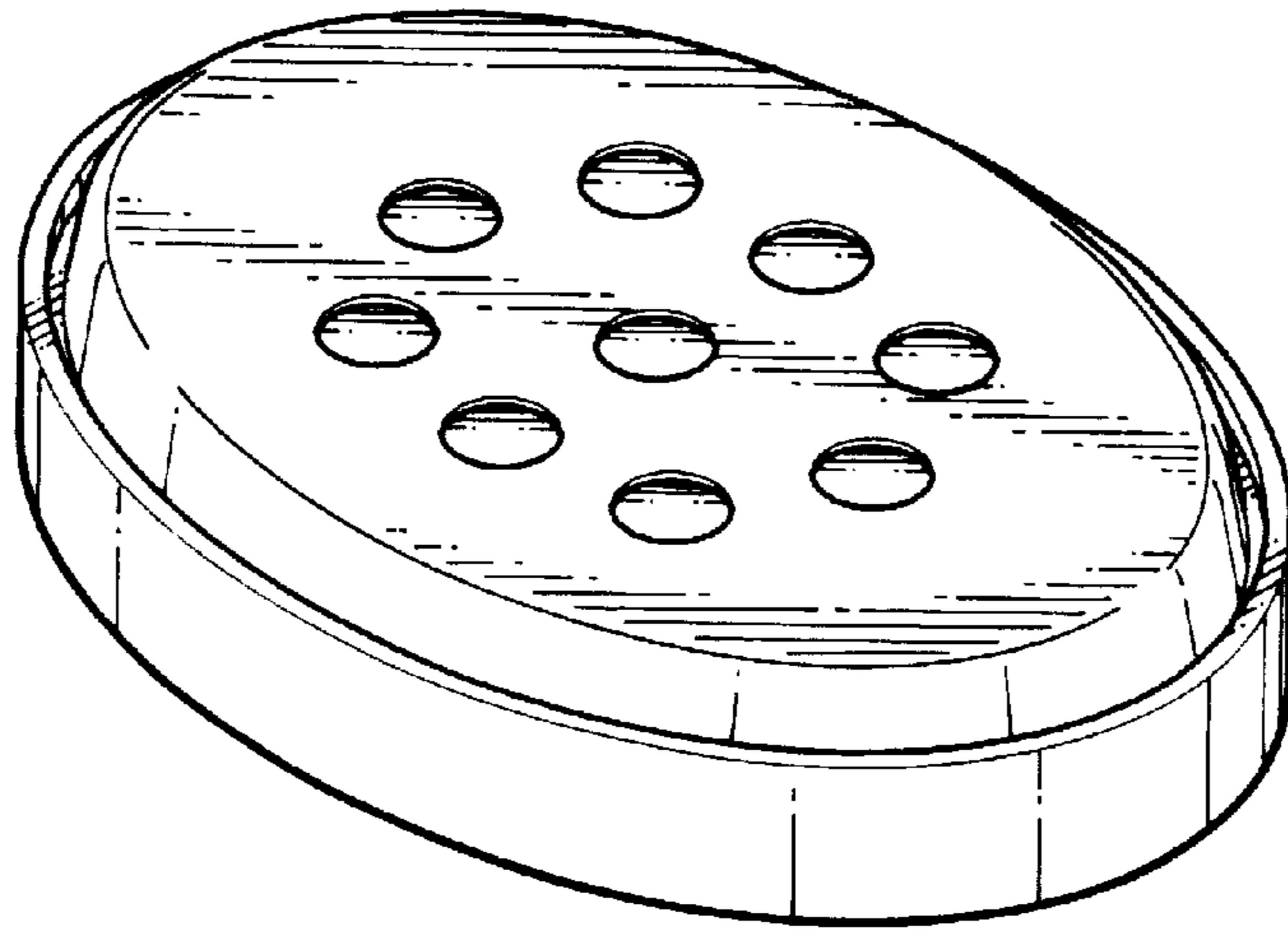
*Fig. 5*



*Fig. 6*



*Fig. 7*



*Fig. 8*

