



US00D487451S

(12) **United States Design Patent**  
**Suzuki**

(10) **Patent No.:** **US D487,451 S**

(45) **Date of Patent:** **\*\* Mar. 9, 2004**

(54) **REMOTE CONTROLLER FOR AUDIO EQUIPMENT**

D450,682 S 11/2001 Takagi

**OTHER PUBLICATIONS**

(75) Inventor: **Satoshi Suzuki**, Tokyo (JP)

Web page "Sony Drive," <http://www.sony.jp/products/Models/Library/RM-MC11EL.html>, 1 sheet, Sony (Sep. 2002).

(73) Assignee: **Sony Corporation**, Tokyo (JP)

\* cited by examiner

(\*\*) Term: **14 Years**

*Primary Examiner*—Louis S. Zarfes

(21) Appl. No.: **29/173,836**

*Assistant Examiner*—Deanne Levy

(22) Filed: **Jan. 8, 2003**

(74) *Attorney, Agent, or Firm*—Rader, Fishman & Grauer PLLC

(51) **LOC (7) Cl.** ..... **14-03**

(57) **CLAIM**

(52) **U.S. Cl.** ..... **D14/218**

The ornamental design for a remote controller for audio equipment, as shown.

(58) **Field of Search** ..... D14/174, 217, D14/218, 137-139, 151, 191-193, 299, 167, 168, 225-229; D13/168, 162-164; D21/512-517, 566; D10/104, 106; 455/352-355, 151.1-151.4; 348/114, 734

**DESCRIPTION**

(56) **References Cited**

FIG. 1 is a perspective view of a remote controller for audio equipment showing my new design; FIG. 2 is a front elevational view thereof; FIG. 3 is a rear elevational view thereof; FIG. 4 is a left side elevational view thereof; FIG. 5 is a right side elevational view thereof; FIG. 6 is a top plan view thereof; and, FIG. 7 is a bottom plan view thereof.

**U.S. PATENT DOCUMENTS**

D218,102 S	*	7/1970	Schwartz	.....	D13/168
D376,803 S	*	12/1996	Lee	.....	D14/228
D399,830 S	*	10/1998	Nagai et al.	.....	D13/158
D431,817 S		10/2000	Yuyama		
D447,470 S		9/2001	Obata		
D450,675 S	*	11/2001	Kim et al.	.....	D14/138

**1 Claim, 4 Drawing Sheets**

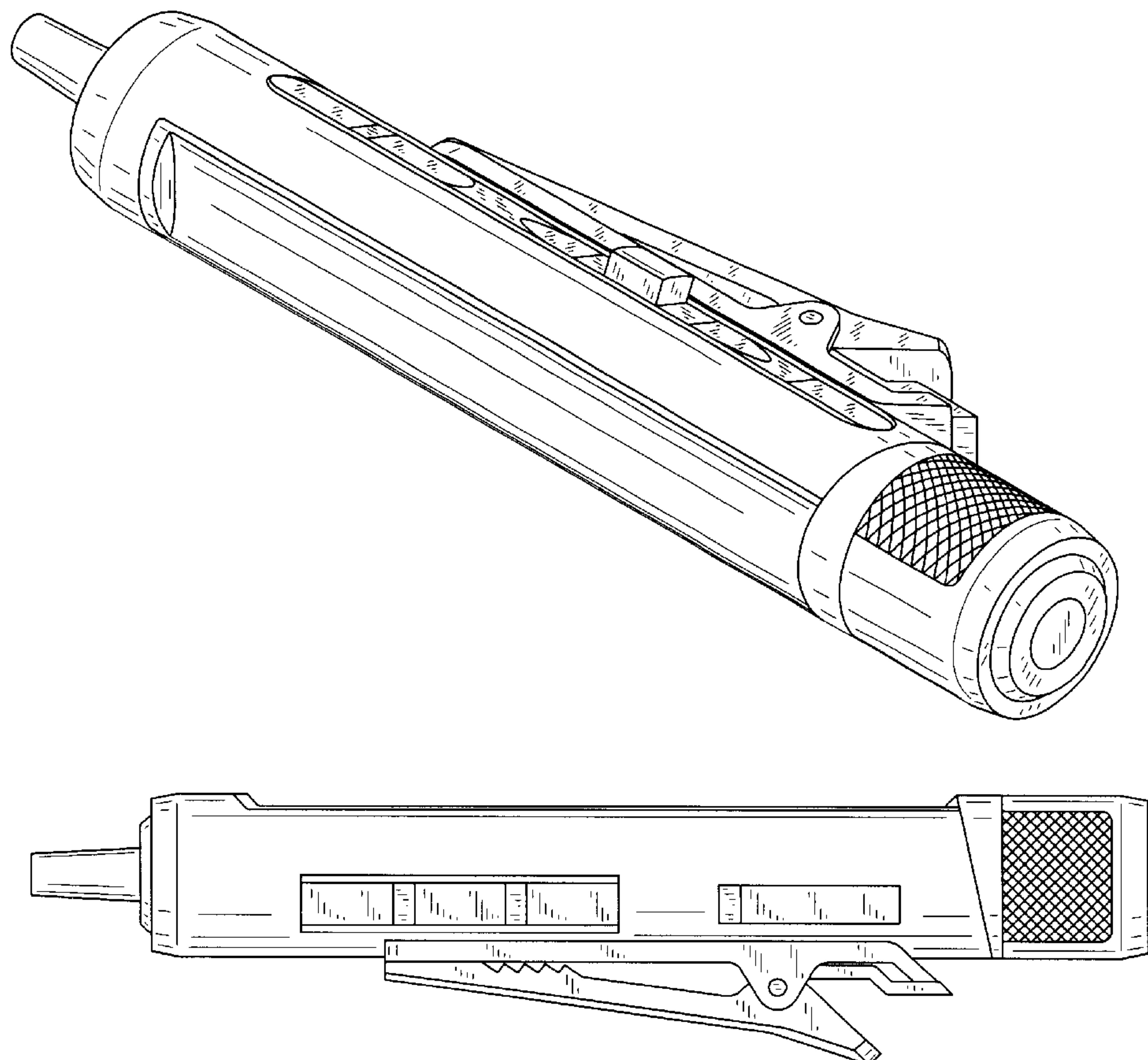


FIG. 1

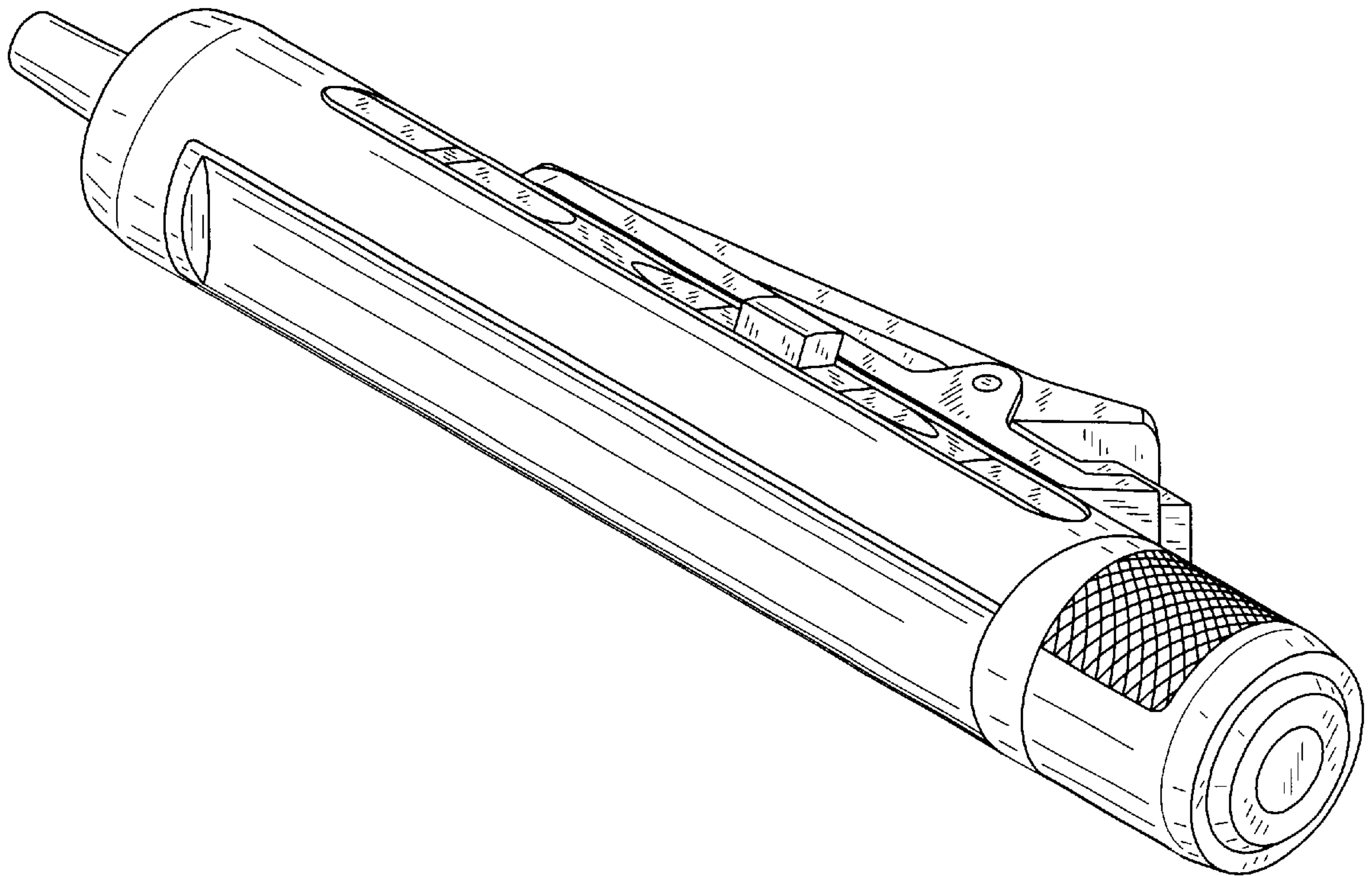


FIG. 2

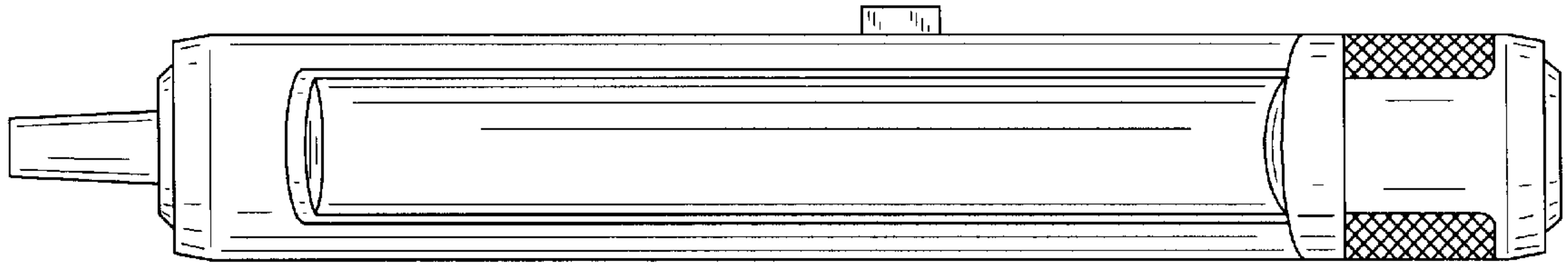


FIG. 3

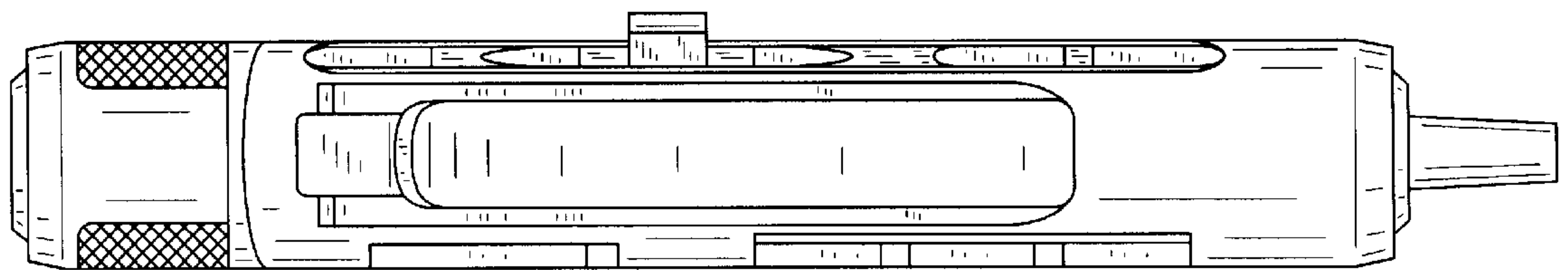


FIG. 4

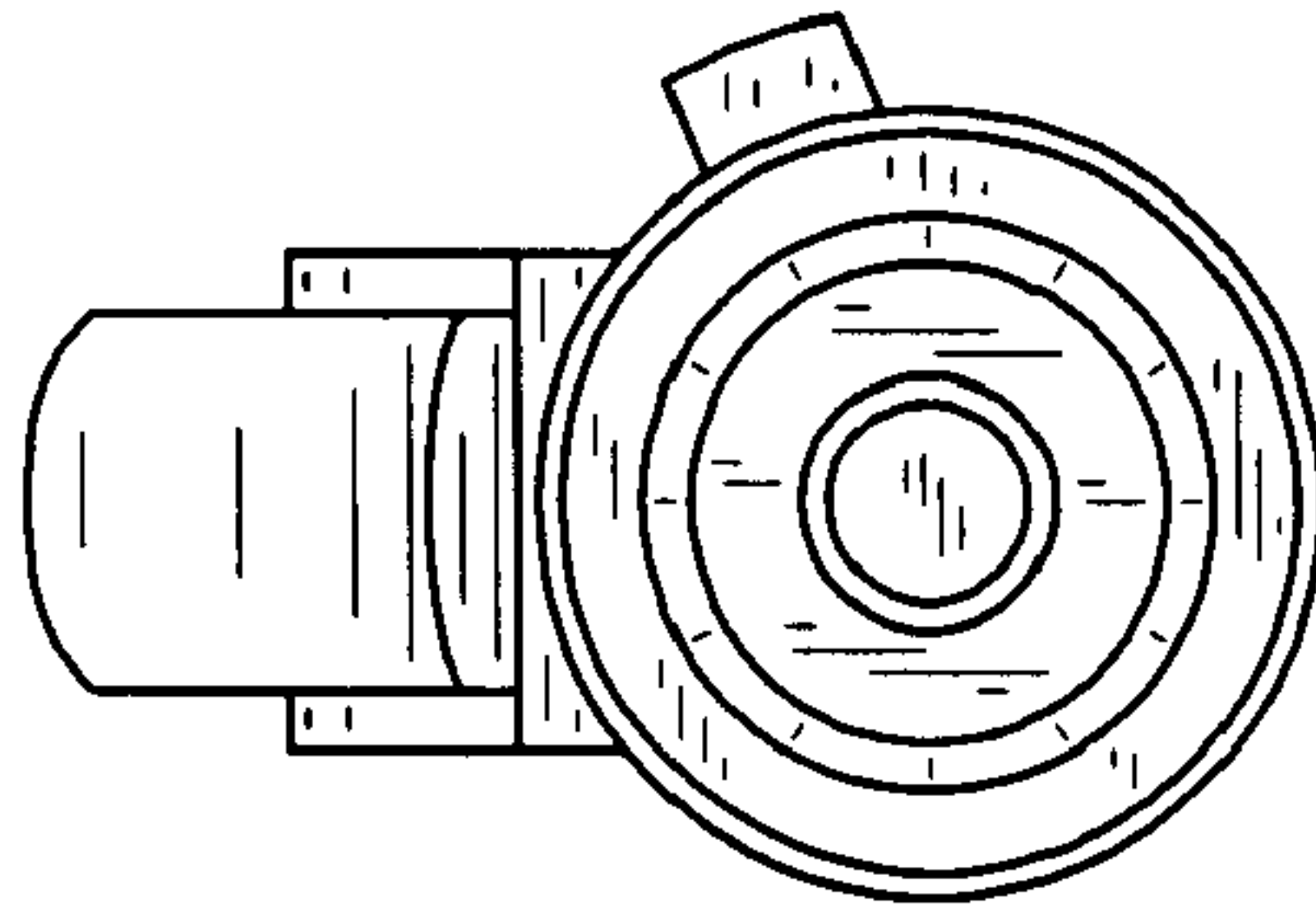


FIG. 5

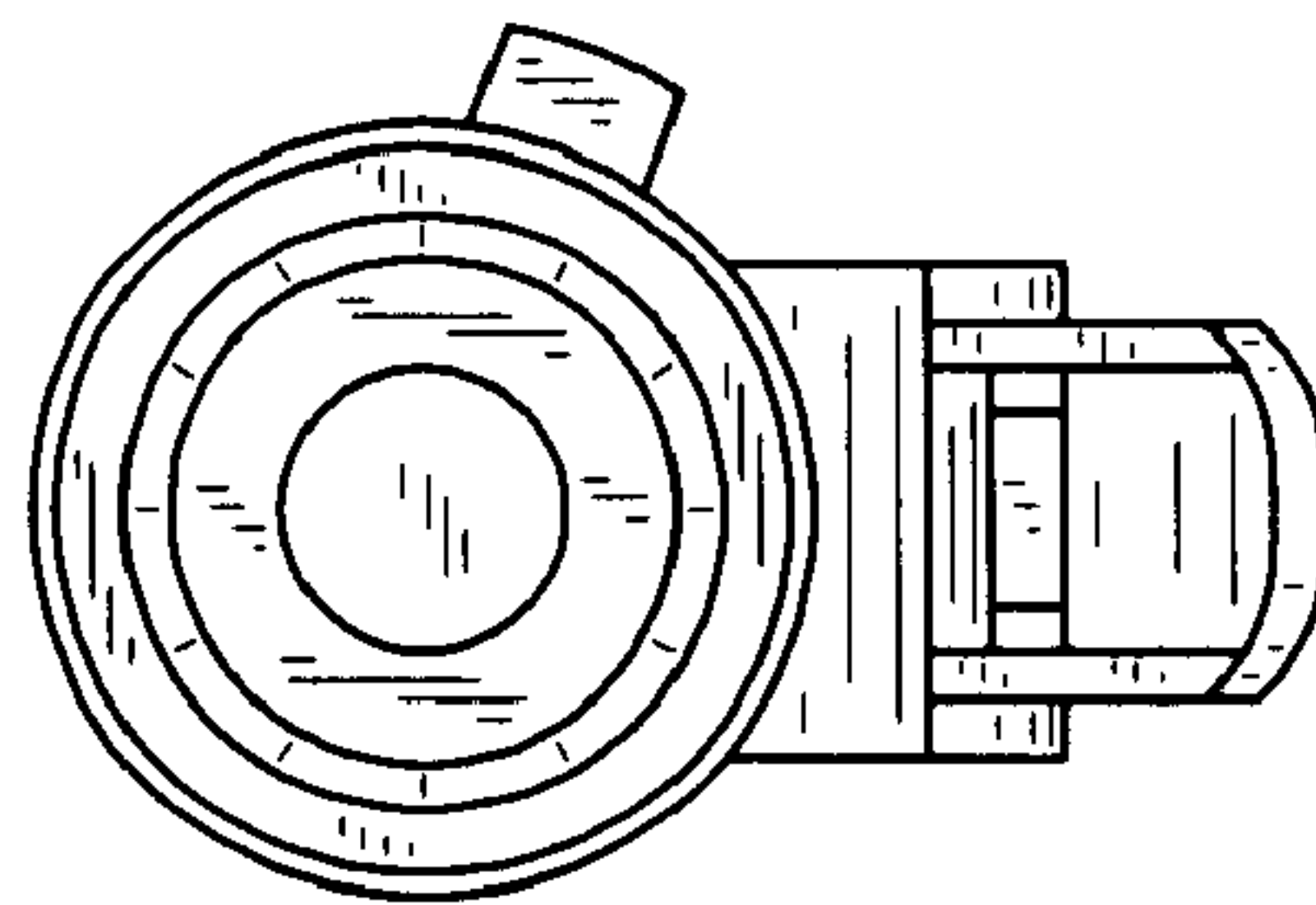


FIG. 6

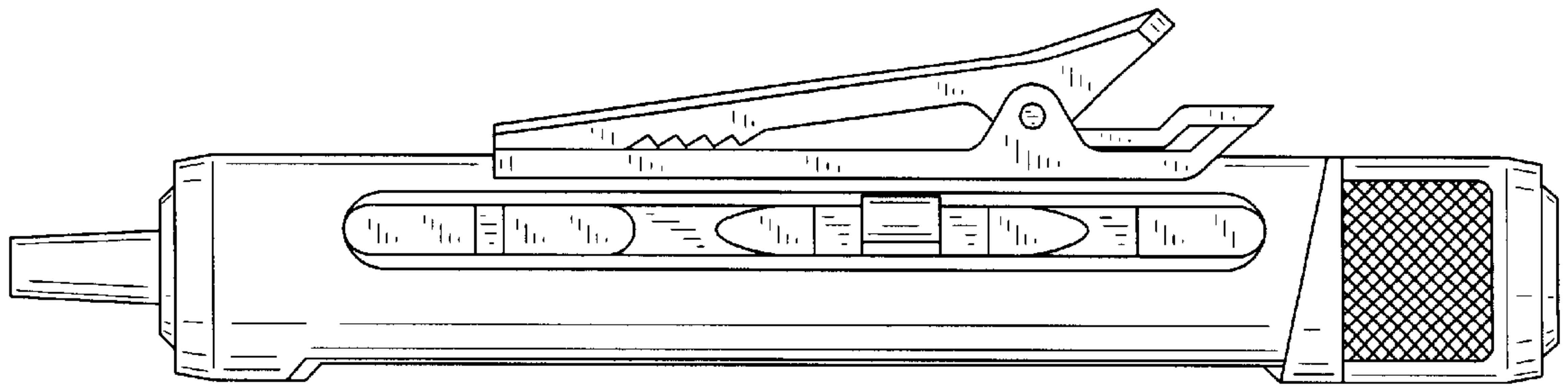


FIG. 7

