



US00D487448S

(12) **United States Design Patent**
Sadatsuki

(10) **Patent No.:** **US D487,448 S**

(45) **Date of Patent:** **** Mar. 9, 2004**

(54) **DIGITAL AUDIO DISC PLAYER FOR CAR**

(75) Inventor: **Koichi Sadatsuki**, Tokyo (JP)

(73) Assignee: **Sony Corporation**, Tokyo (JP)

(**) Term: **14 Years**

(21) Appl. No.: **29/179,310**

(22) Filed: **Apr. 9, 2003**

(51) **LOC (7) Cl.** **14-03**

(52) **U.S. Cl.** **D14/157**

(58) **Field of Search** D14/135-136,
D14/156-157, 167-168, 188, 193-198,
257-258; 369/75.1, 75.2, 77.1, 77.2; 455/344,
347, 350-351

(56) **References Cited**

U.S. PATENT DOCUMENTS

5,859,828	A	*	1/1999	Ishibashi	369/75.1
D438,519	S		3/2001	Hirano		
D443,608	S	*	6/2001	Omori	D14/257
D450,692	S		11/2001	Hakoda		
D466,876	S	*	12/2002	Usami et al.	D14/136

OTHER PUBLICATIONS

Web page "Car Audio/Visual—CQ—SRX7000," <http://www.mci.panasonic.co.jp/aced/audio/products/CD/CQ-SRX7000D.html>, 1 sheet, Panasonic (Dec. 2002).

Web page "KD-CD202," <http://www.jvc-victor.co.jp/car/products/1din/cd202/cd101.html>, 1 sheet, Victor (Dec. 2002).

Web page "Sony eCatalog," <http://www.ecat.sony.co.jp/car/caraudio/products/index.cfm?PD=2200&KM=CDX-2700>, 1 sheet, Sony Marketing (Feb. 2003).

* cited by examiner

Primary Examiner—Nanda Bondade

(74) *Attorney, Agent, or Firm*—Rader, Fishman & Grauer PLLC

(57) **CLAIM**

The ornamental design for a digital audio disc player for car, as shown.

DESCRIPTION

FIG. 1 is a perspective view of a digital audio disc player for car showing my new design;

FIG. 2 is a front elevational view thereof;

FIG. 3 is a rear elevational view thereof;

FIG. 4 is a left side elevational view thereof;

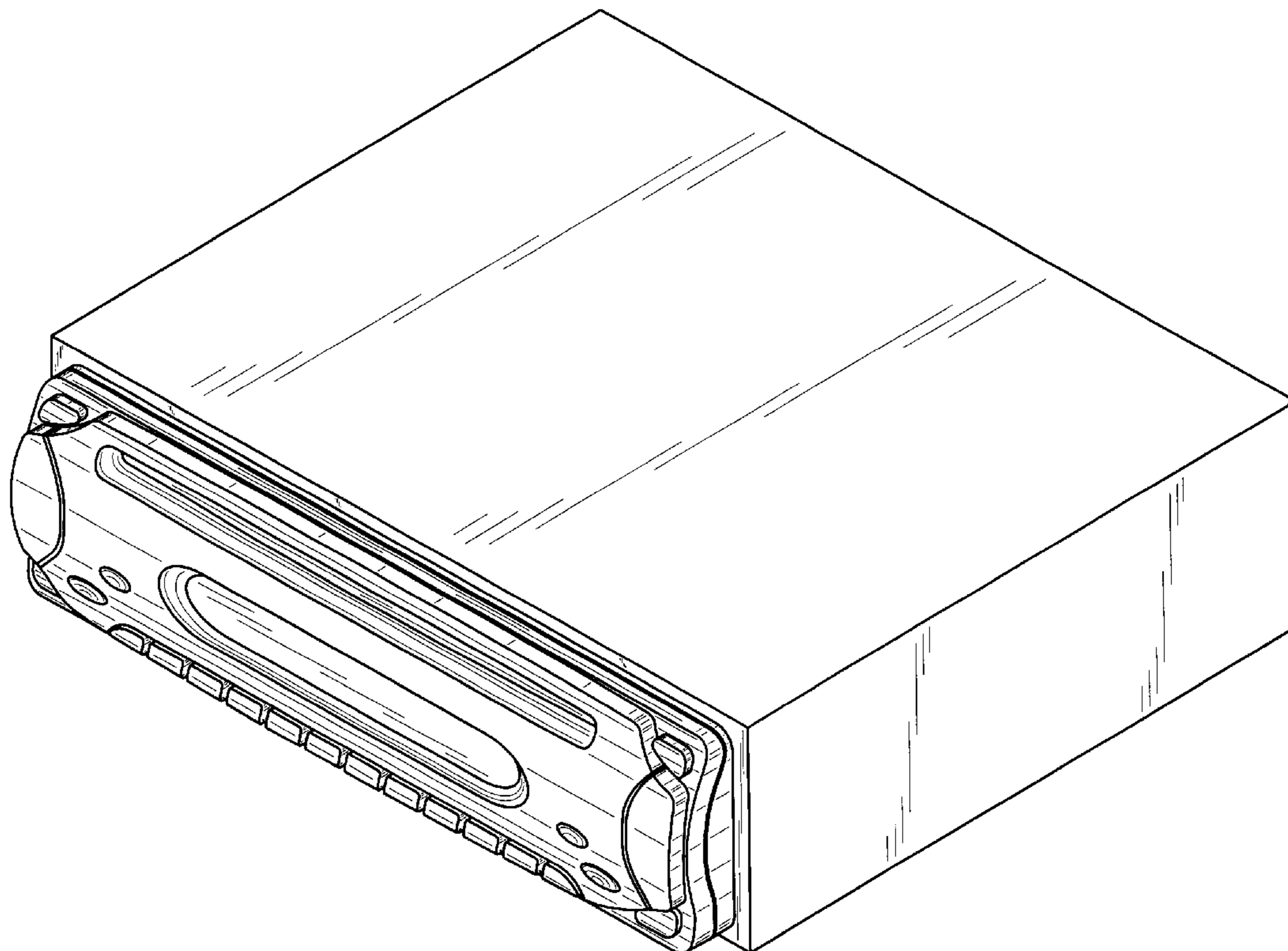
FIG. 5 is a right side elevational view thereof;

FIG. 6 is a top plan view thereof; and,

FIG. 7 is a bottom plan view thereof.

FIGS. 2-5 are on an enlarged scale.

1 Claim, 4 Drawing Sheets



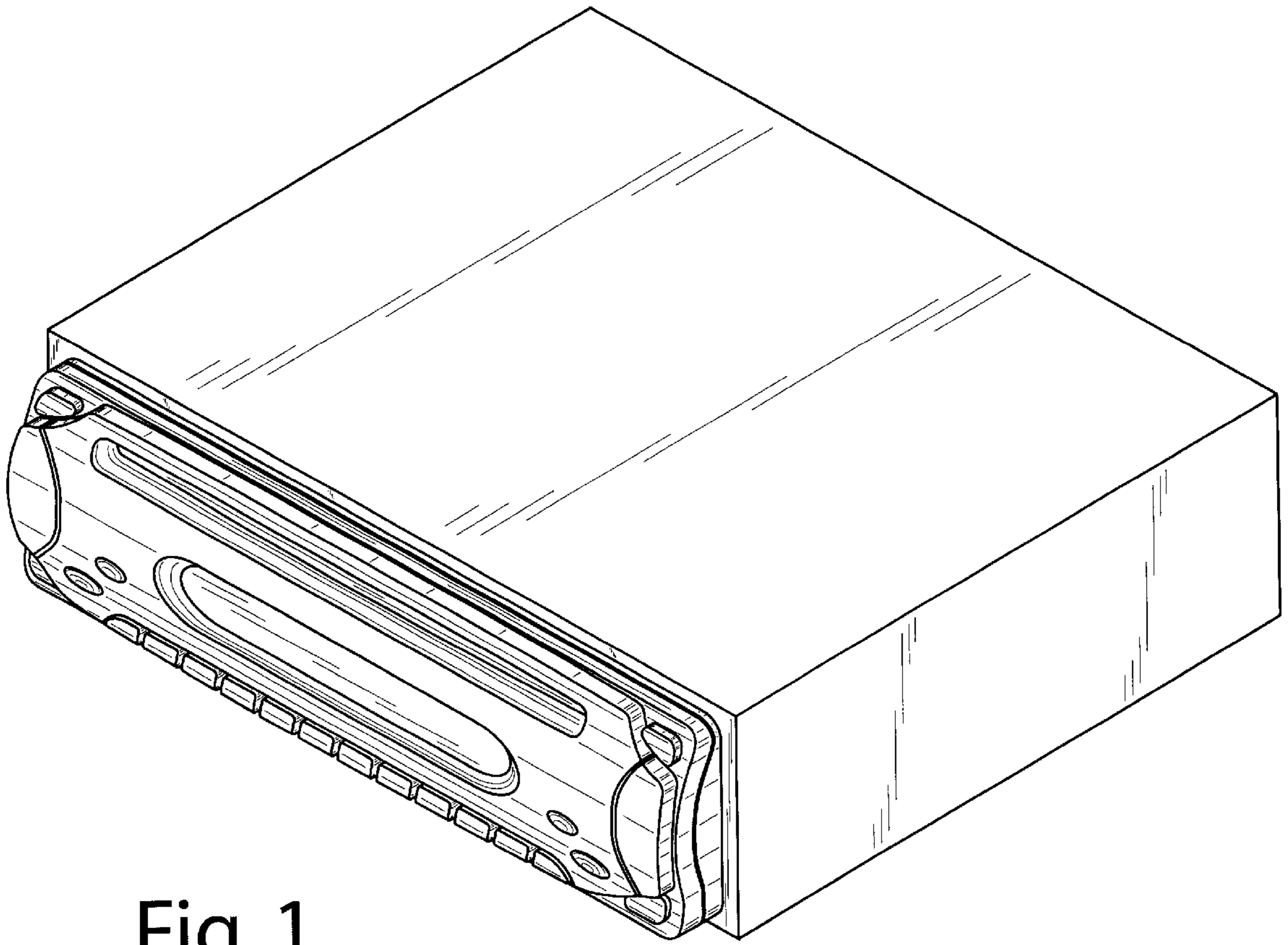


Fig. 1

Fig. 2

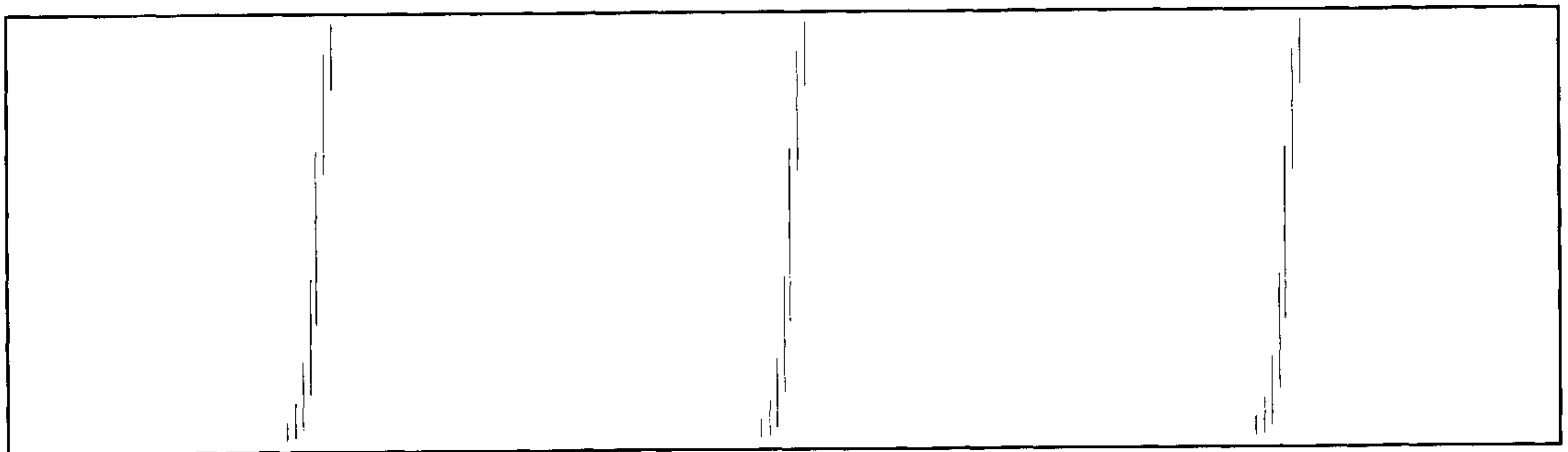
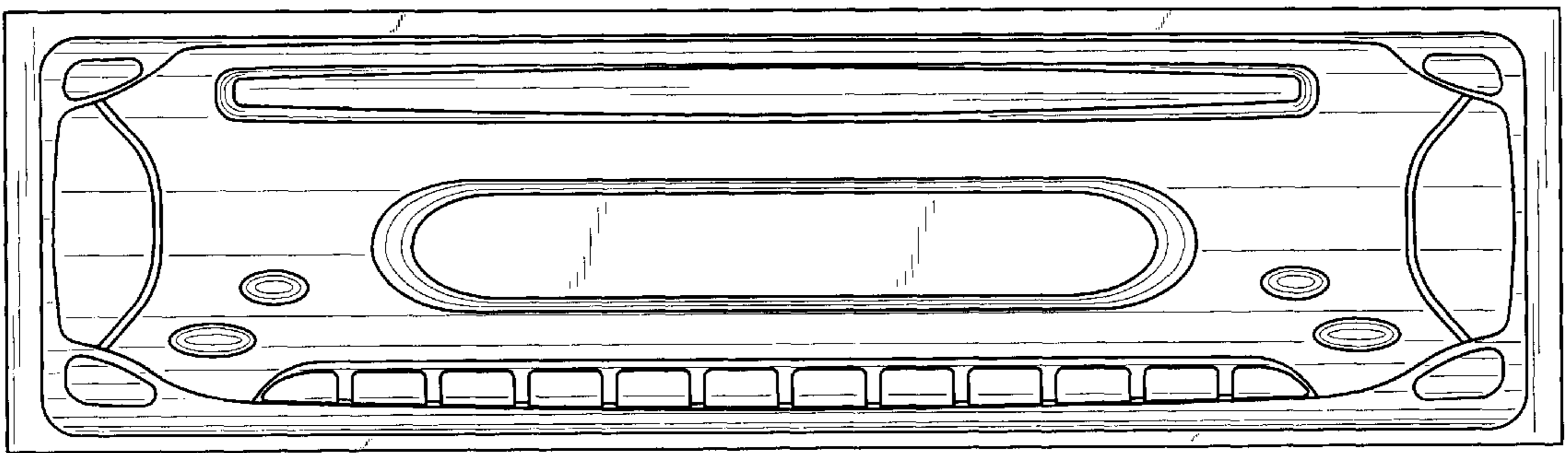


Fig. 3

Fig. 4

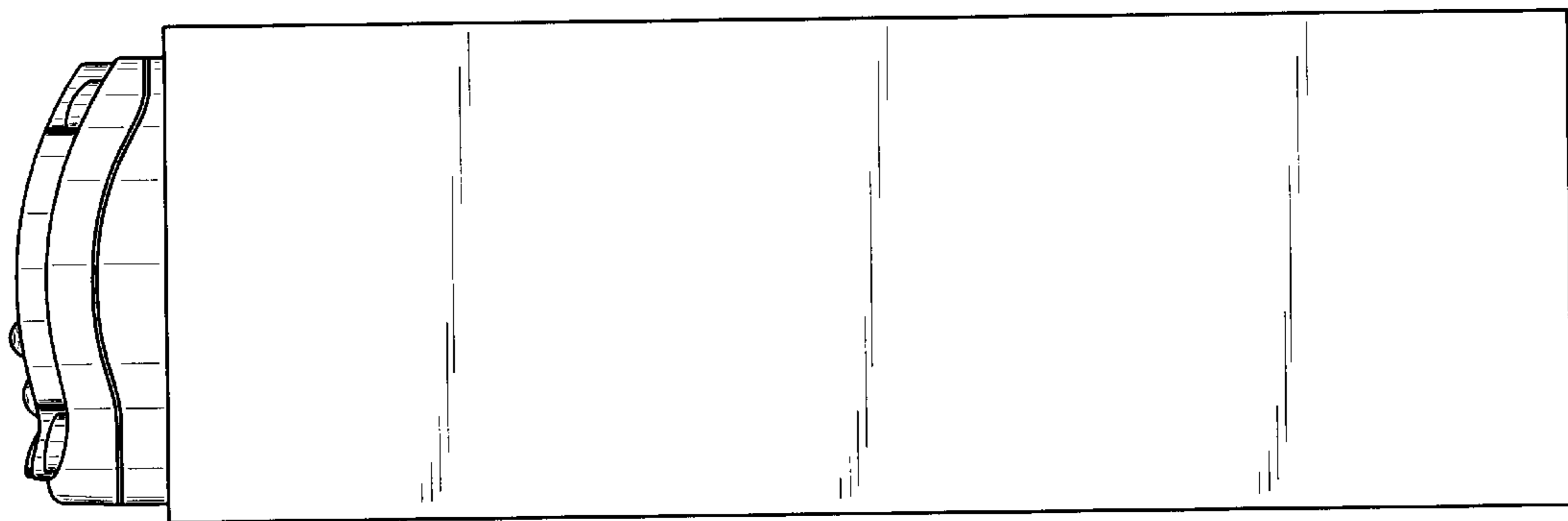
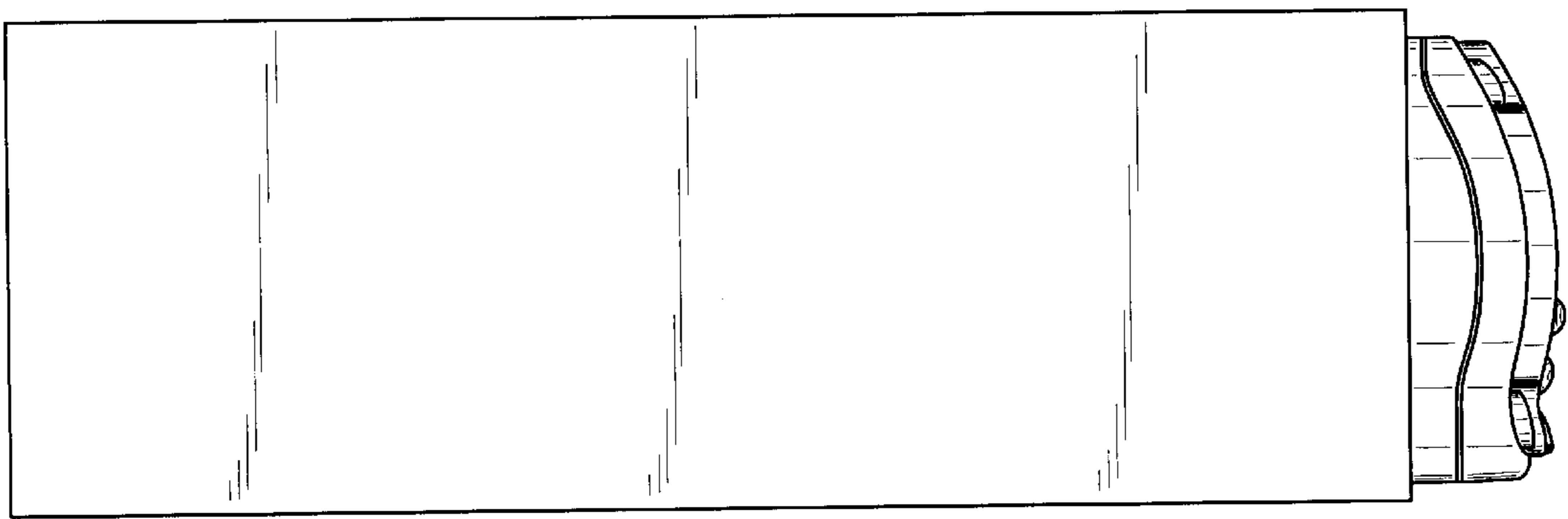


Fig. 5

Fig. 6

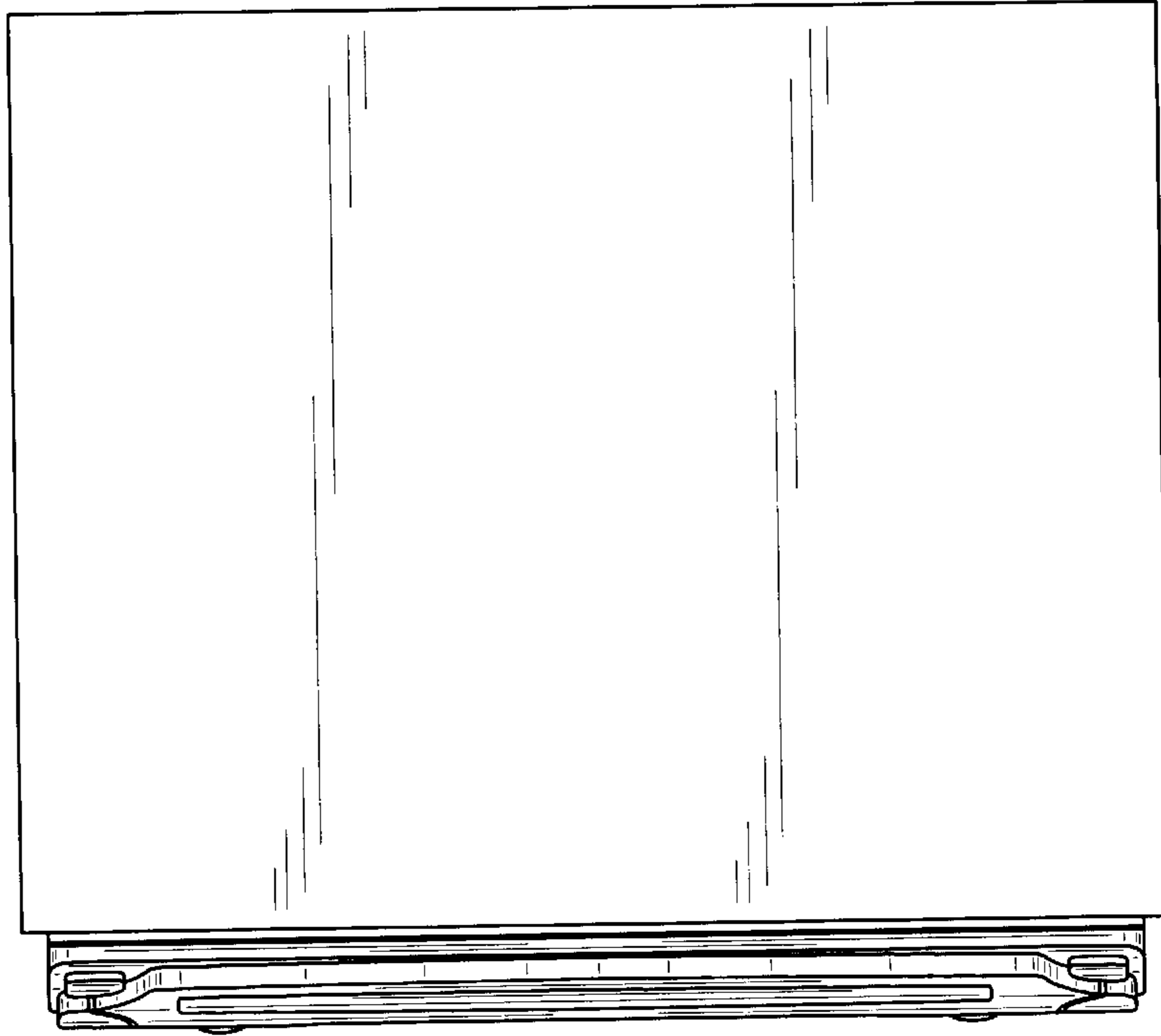


Fig. 7

