



US00D487442S

(12) **United States Design Patent**
Wang et al.

(10) **Patent No.:** **US D487,442 S**
(45) **Date of Patent:** **** Mar. 9, 2004**

(54) **CELLULAR PHONE**

(75) Inventors: **Feng-Chun Wang**, Taichung (TW);
Gwo-Chyuan Chen, Taipei (TW)

(73) Assignee: **Quanta Computer, Inc.**, Tao Yuan
Shien (TW)

(**) Term: **14 Years**

(21) Appl. No.: **29/180,835**

(22) Filed: **Apr. 30, 2003**

(51) **LOC (7) Cl.** **14-03**

(52) **U.S. Cl.** **D14/138**

(58) **Field of Search** D14/137, 138,
D14/218, 147-148, 247-248, 144, 244,
246, 341-347; 379/433.01-433.13, 419,
434, 428.01-428.04, 420.01-420.04, 440;
D10/37, 126; 455/550.1-90.3; D21/517;
D11/80; D28/78, 79, 82; 345/168, 169

(56) **References Cited**

U.S. PATENT DOCUMENTS

D75,281 S	*	5/1928	Noble	D28/78
D75,513 S	*	6/1928	Pollack	D28/78
D81,132 S	*	5/1930	Gebauer	D28/78
D142,315 S	*	8/1945	Beveridge	D28/78
D150,501 S	*	8/1948	Katz	D11/80
D195,959 S	*	8/1963	Spilman	D14/228
D247,846 S	*	5/1978	Kortick	D28/91.1
D249,332 S	*	9/1978	Hauf	D9/420
D257,003 S	*	9/1980	Yamagami et al.	D10/30
D263,003 S	*	2/1982	Tong	D28/78
D276,470 S	*	11/1984	Lo	D28/64.3
D282,544 S	*	2/1986	Wu	D14/147
D291,991 S	*	9/1987	Lee	D14/147
D292,286 S	*	10/1987	Basch	D14/143
D292,581 S	*	11/1987	Yoshiharu	D14/147
D298,517 S	*	11/1988	Fontana	D10/126
D310,093 S	*	8/1990	Sakaguchi et al.	D18/7
D353,023 S	*	11/1994	Chen	D28/79
D358,149 S	*	5/1995	Fellinger	D14/138
D359,733 S	*	6/1995	Fellinger	D14/138
5,431,177 A	*	7/1995	Kecman	132/303

D361,064 S	*	8/1995	Fellinger	D14/138
D363,069 S	*	10/1995	Bro	D14/191
D371,126 S	*	6/1996	Bro	D14/138
D382,556 S	*	8/1997	Jeong	D14/138
D401,577 S	*	11/1998	Yamaguchi	D14/138
5,890,052 A	*	3/1999	Read et al.	455/90
D408,590 S	*	4/1999	Litton	D28/82
D424,558 S	*	5/2000	Hong	D14/143
D424,751 S	*	5/2000	Kudo et al.	D28/78
D427,172 S	*	6/2000	Bequir	D14/138
D434,403 S	*	11/2000	Jaynes et al.	D14/138
D439,376 S	*	3/2001	Lerolle	D28/82
D440,959 S	*	4/2001	Wolf et al.	D14/191
D451,078 S	*	11/2001	Kim	D14/138
D453,751 S	*	2/2002	Bearden	D14/138

(List continued on next page.)

Primary Examiner—Jeffrey Asch

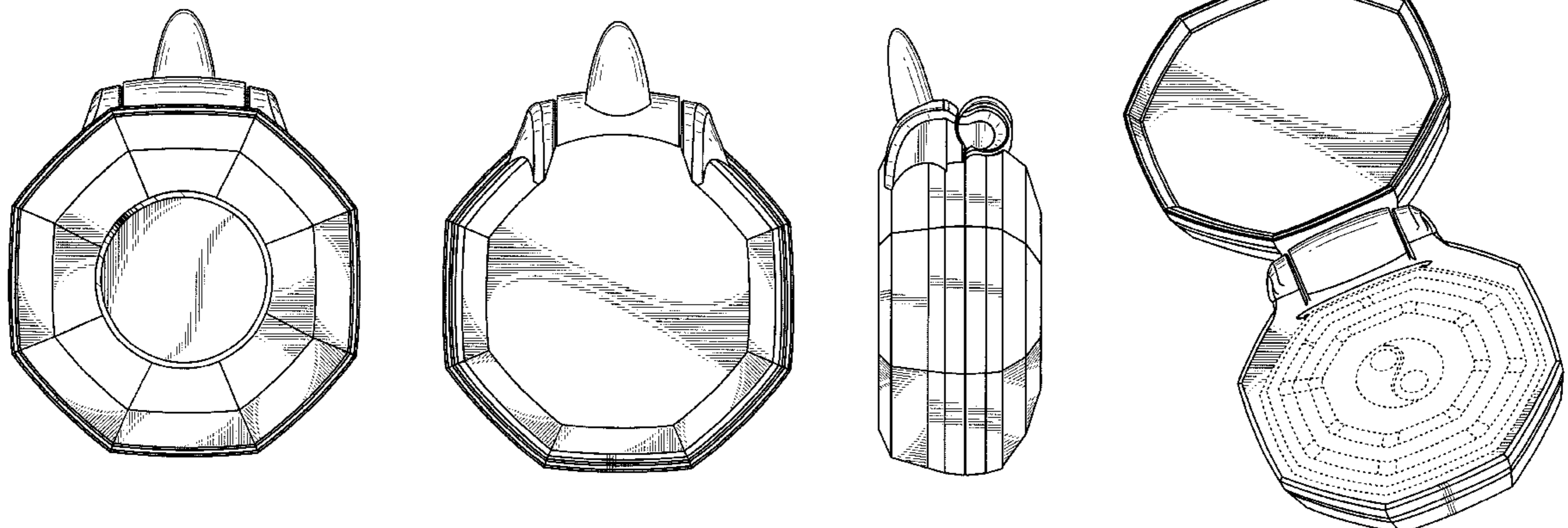
(57) **CLAIM**

The ornamental design for a cellular phone, as shown and described.

DESCRIPTION

FIG. 1 is a front elevational view of a cellular phone showing our new design with the lid in a closed position; FIG. 2 is a rear elevational view thereof; FIG. 3 is a left side elevational view thereof; FIG. 4 is a right side elevational view thereof; FIG. 5 is a top plan view thereof; FIG. 6 is a bottom plan view thereof; FIG. 7 is a front, side perspective view thereof; FIG. 8 is a front, side perspective view of a cellular phone showing our new design with the lid in an open position; FIG. 9 is a front elevational view thereof; FIG. 10 is a rear elevational view thereof; FIG. 11 is a left side elevational view thereof; FIG. 12 is a right side elevational view thereof; FIG. 13 is a top plan view thereof; and, FIG. 14 is a bottom plan view thereof. The broken lines showing the outline of a keypad is for illustration purposes only and forms no part of the claimed invention.

1 Claim, 8 Drawing Sheets



US D487,442 S

Page 2

U.S. PATENT DOCUMENTS

D457,865 S	*	5/2002	Lam	D14/147	D476,572 S	*	7/2003	Merritt	D9/504
D457,986 S	*	5/2002	Rodriguez et al.	D28/78	2002/0068617 A1	*	6/2002	Han	455/569.1
D458,249 S	*	6/2002	Hayashi	D14/218	2003/0122784 A1	*	7/2003	Shkolnikov	345/169
D473,345 S	*	4/2003	Thorpe	D28/82						

* cited by examiner

Fig. 1

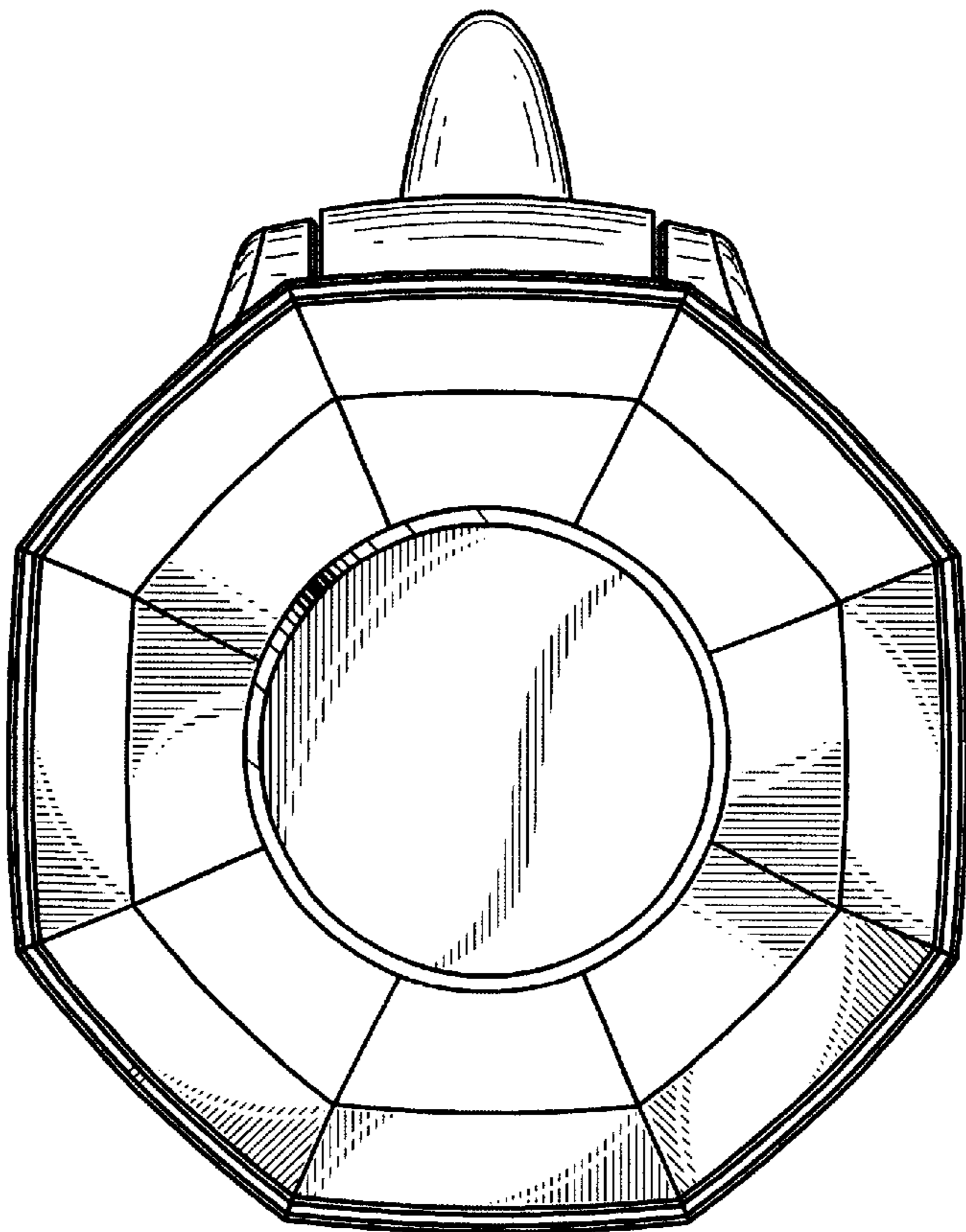


Fig. 2

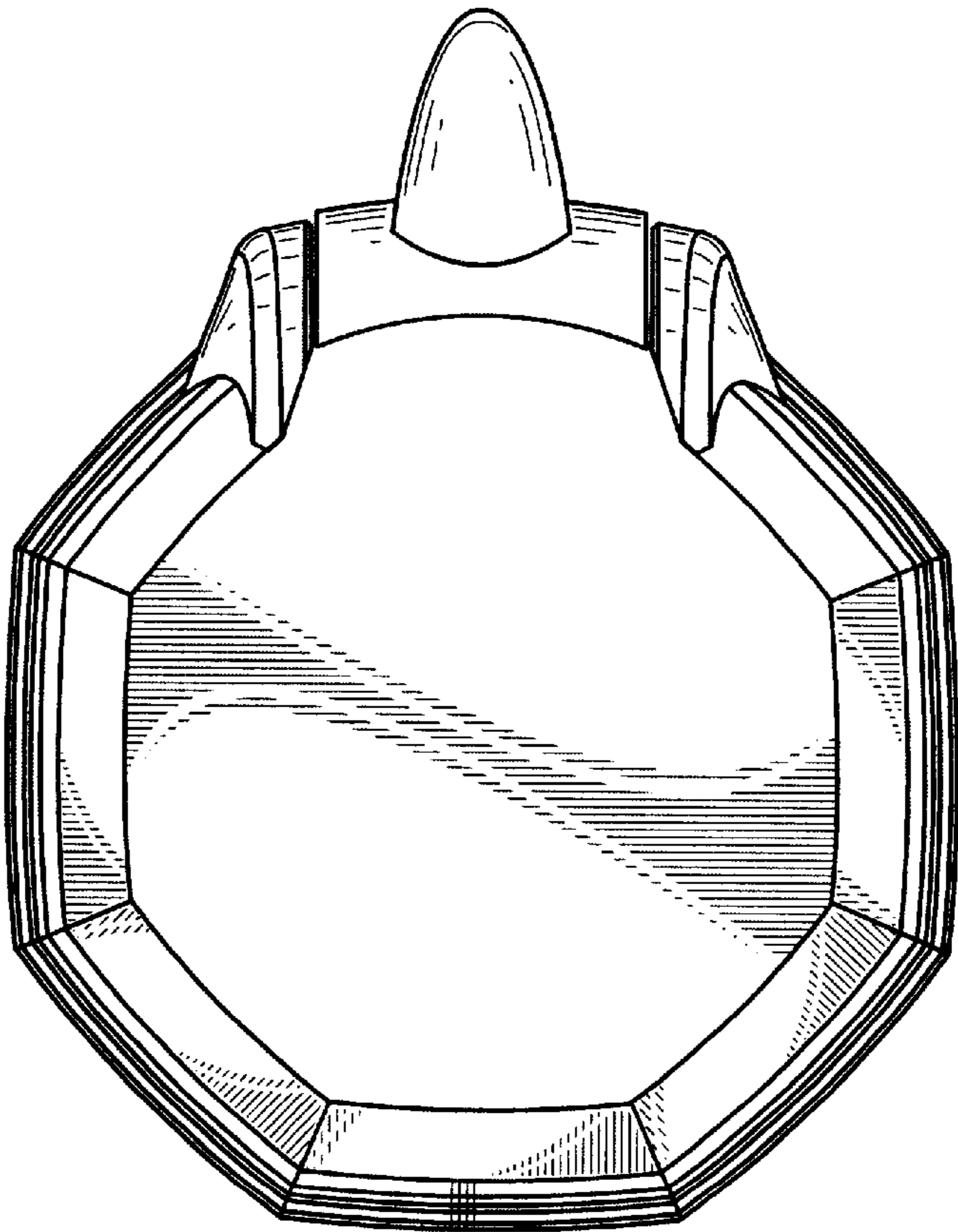


Fig. 3

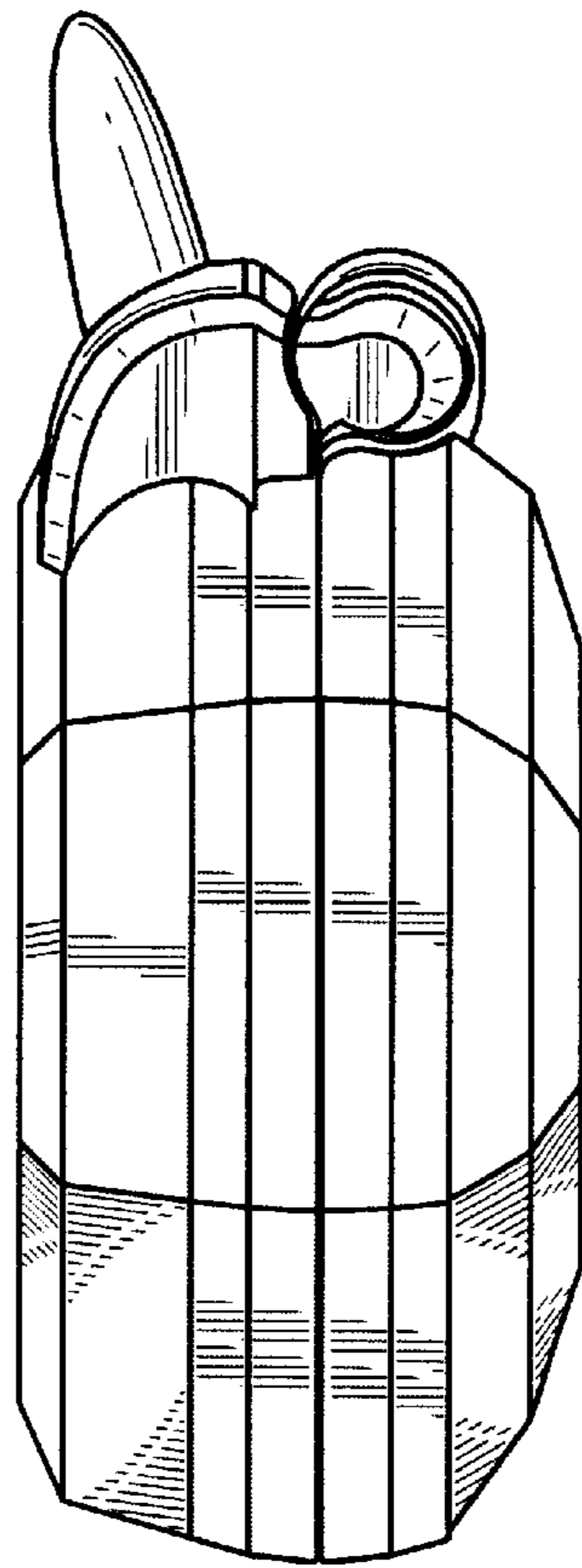
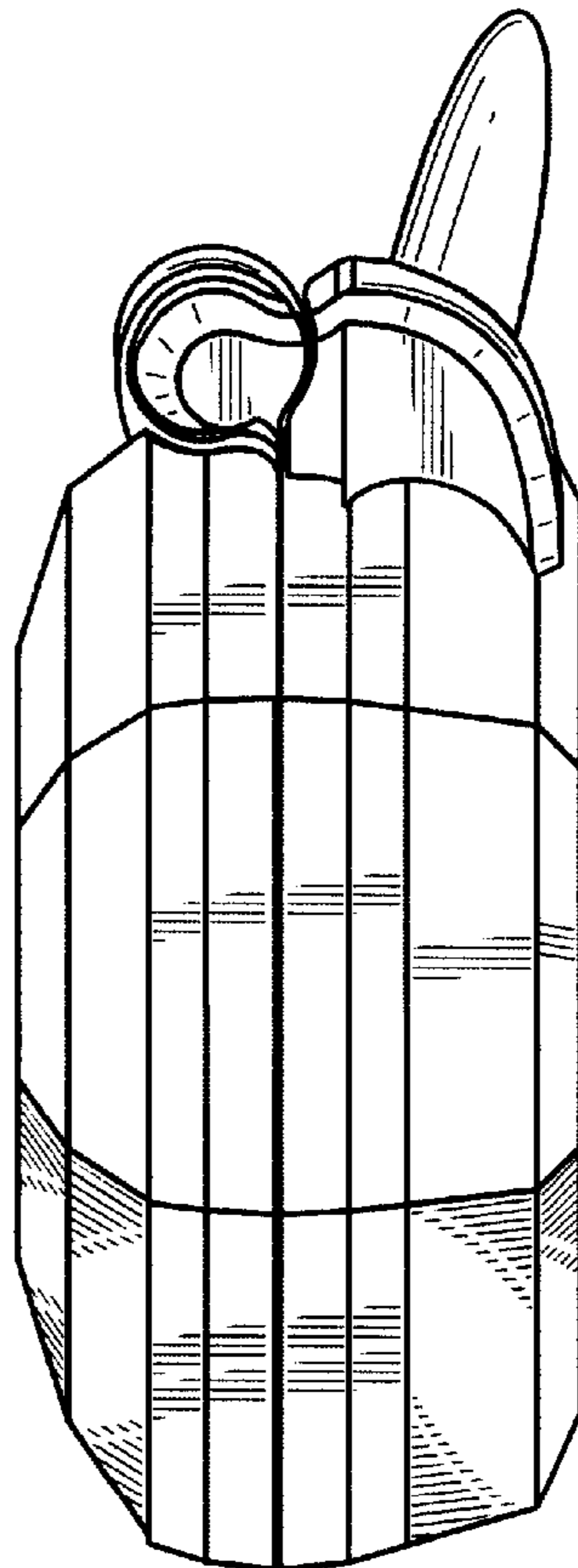


Fig. 4



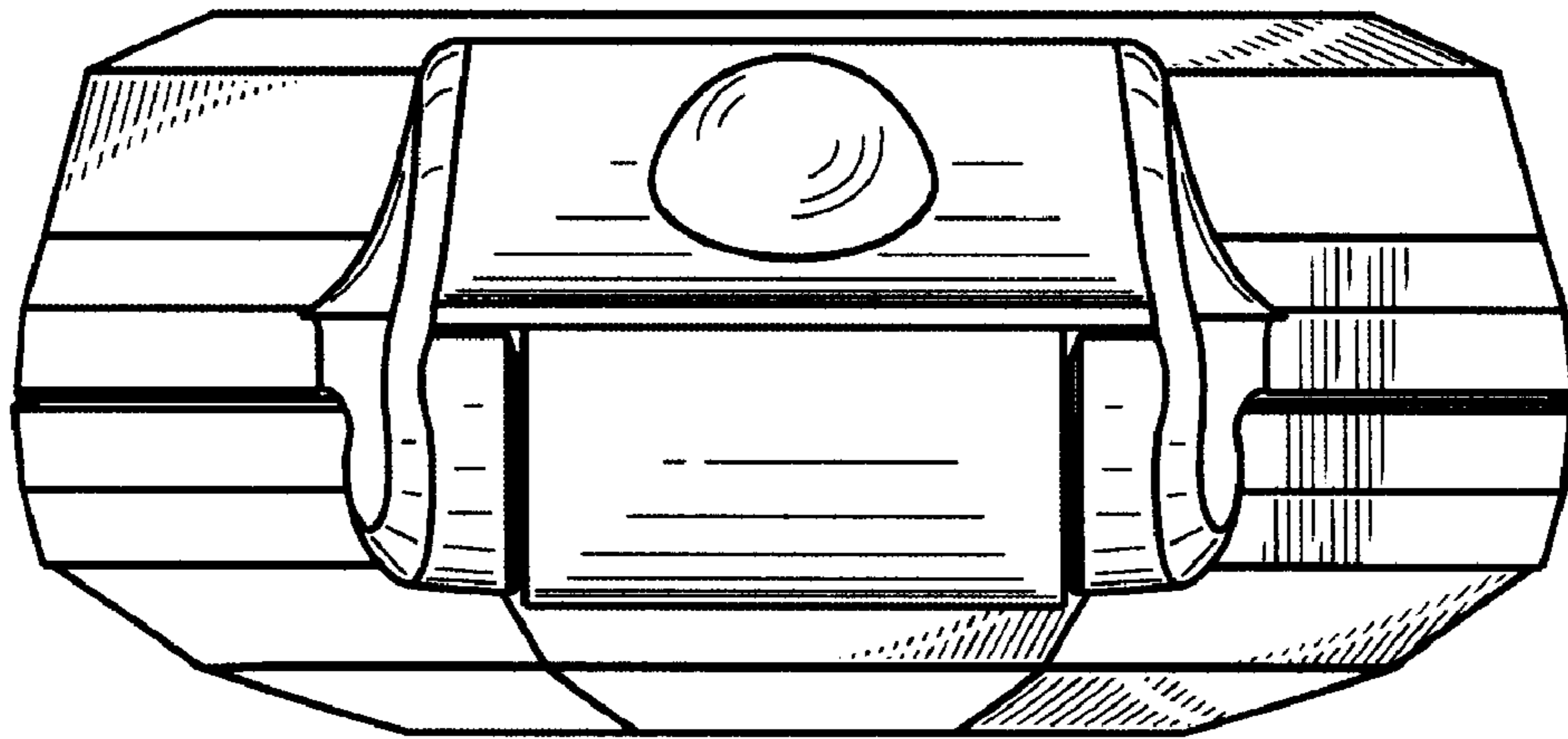


Fig. 5

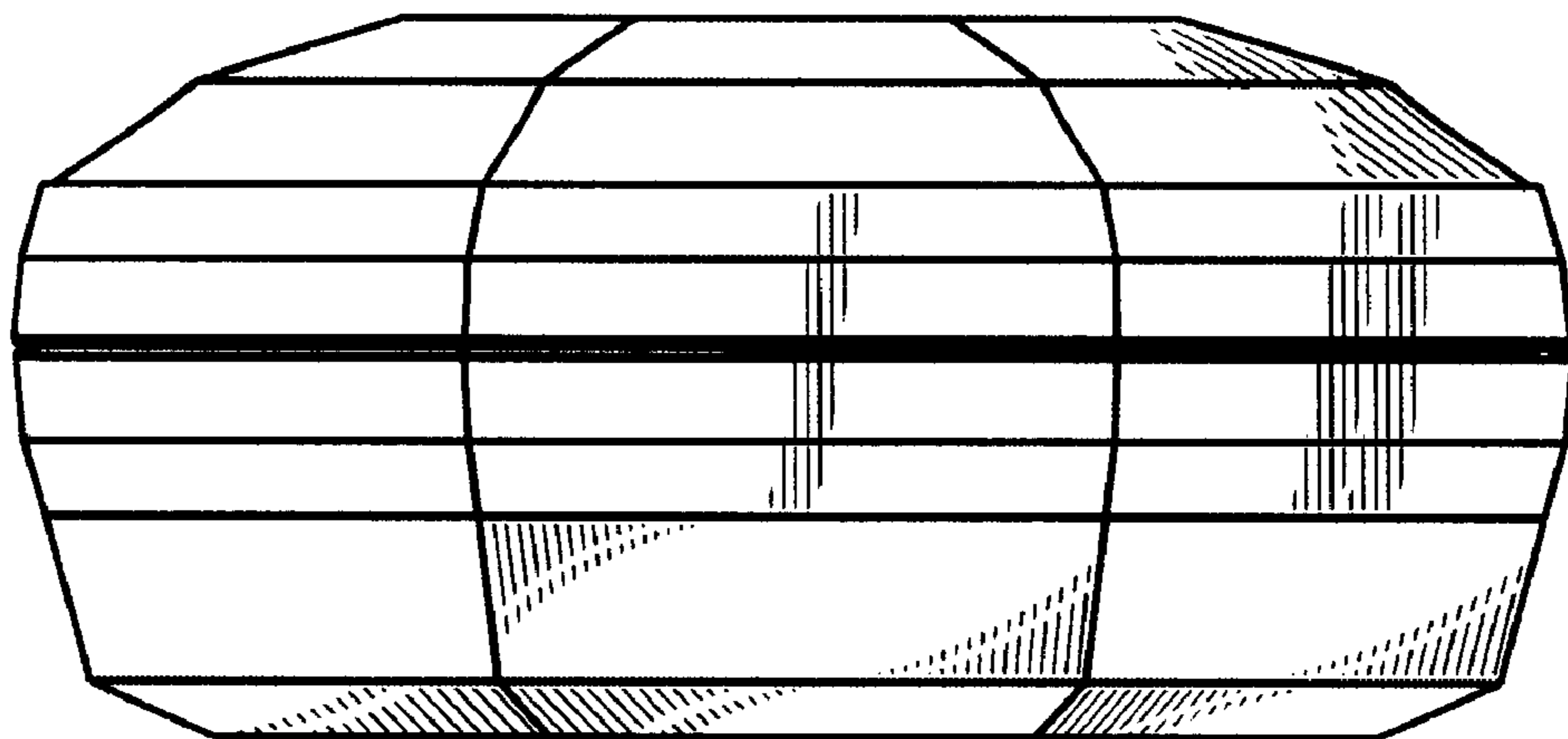


Fig. 6

Fig. 1

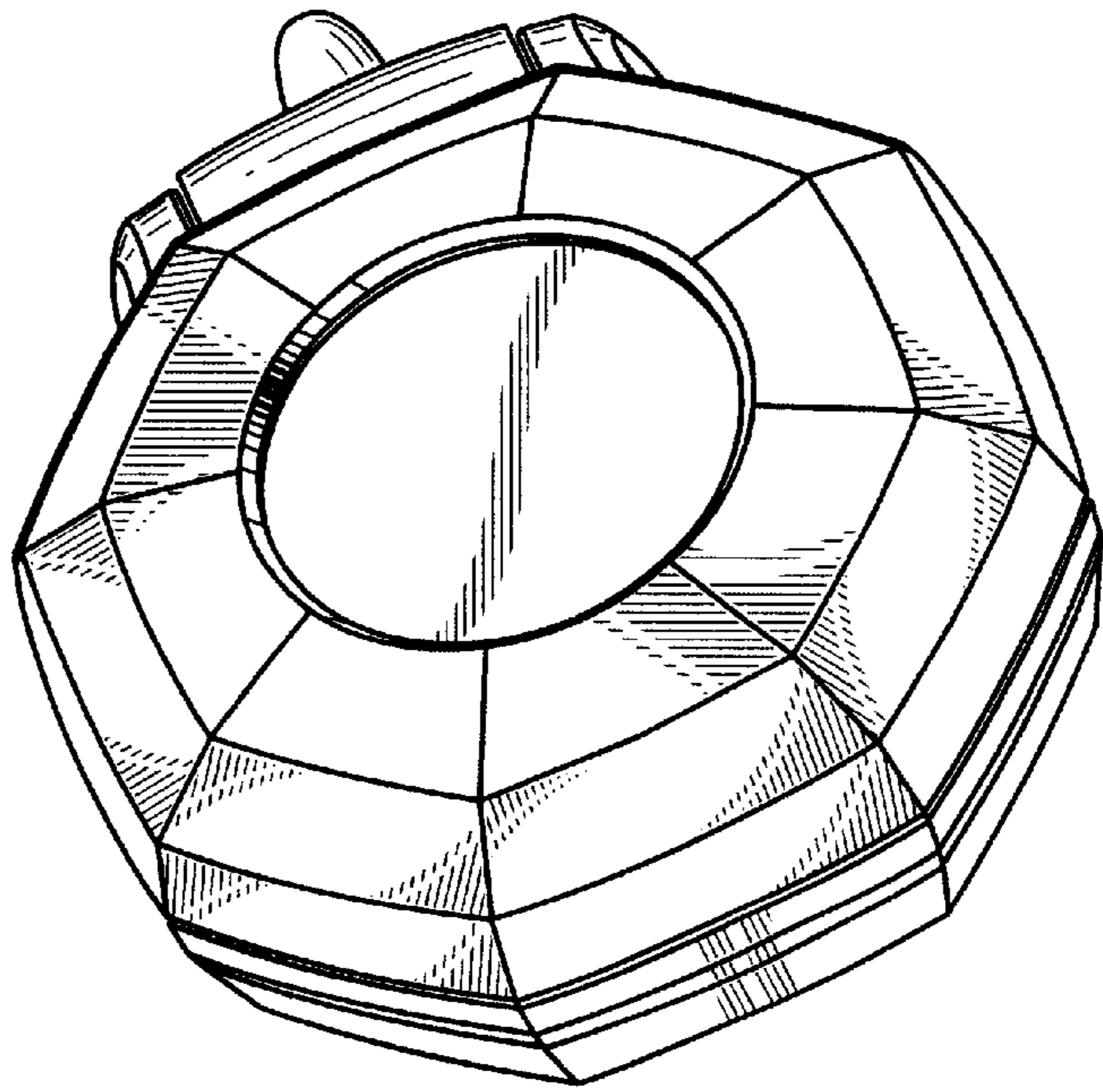
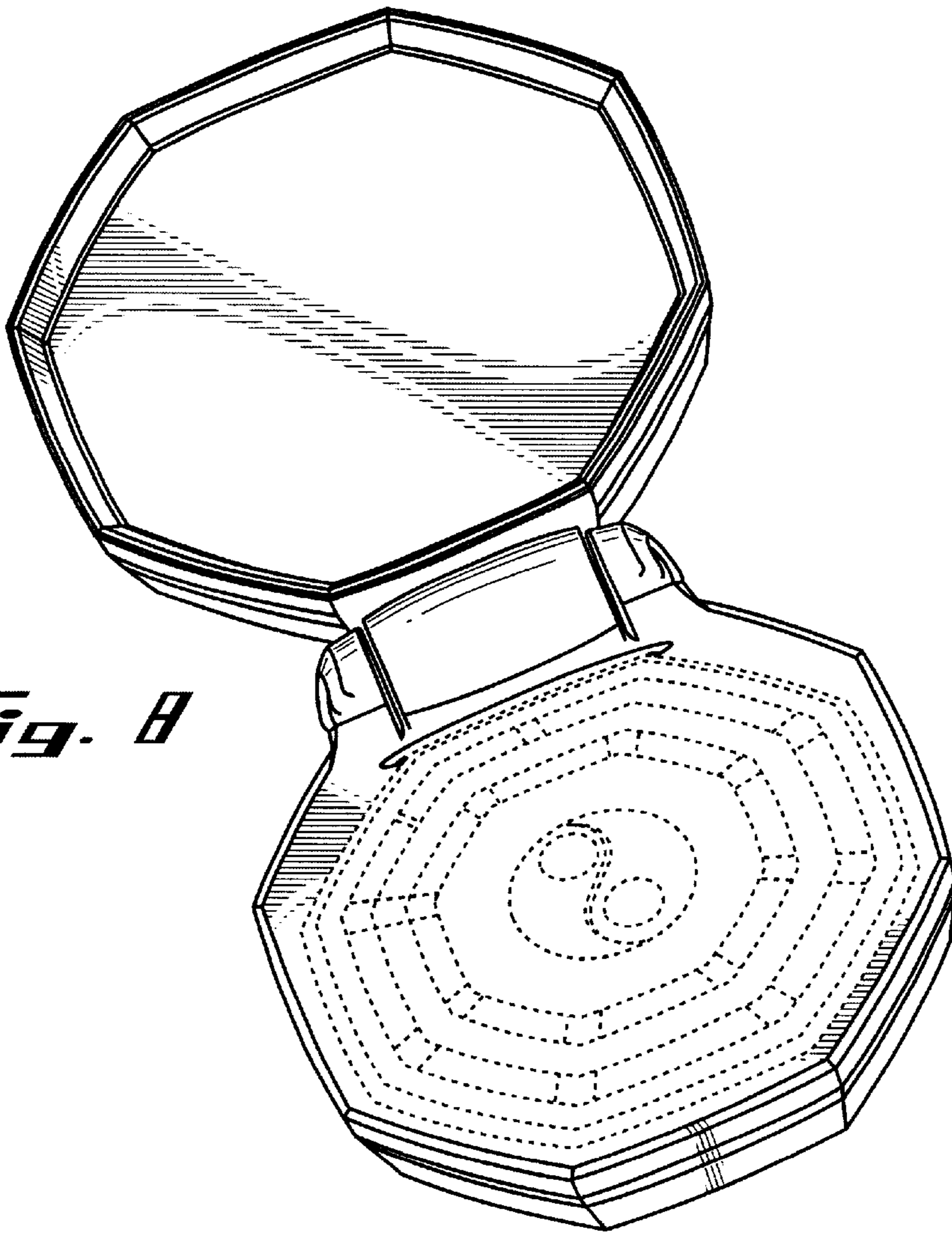


Fig. 2



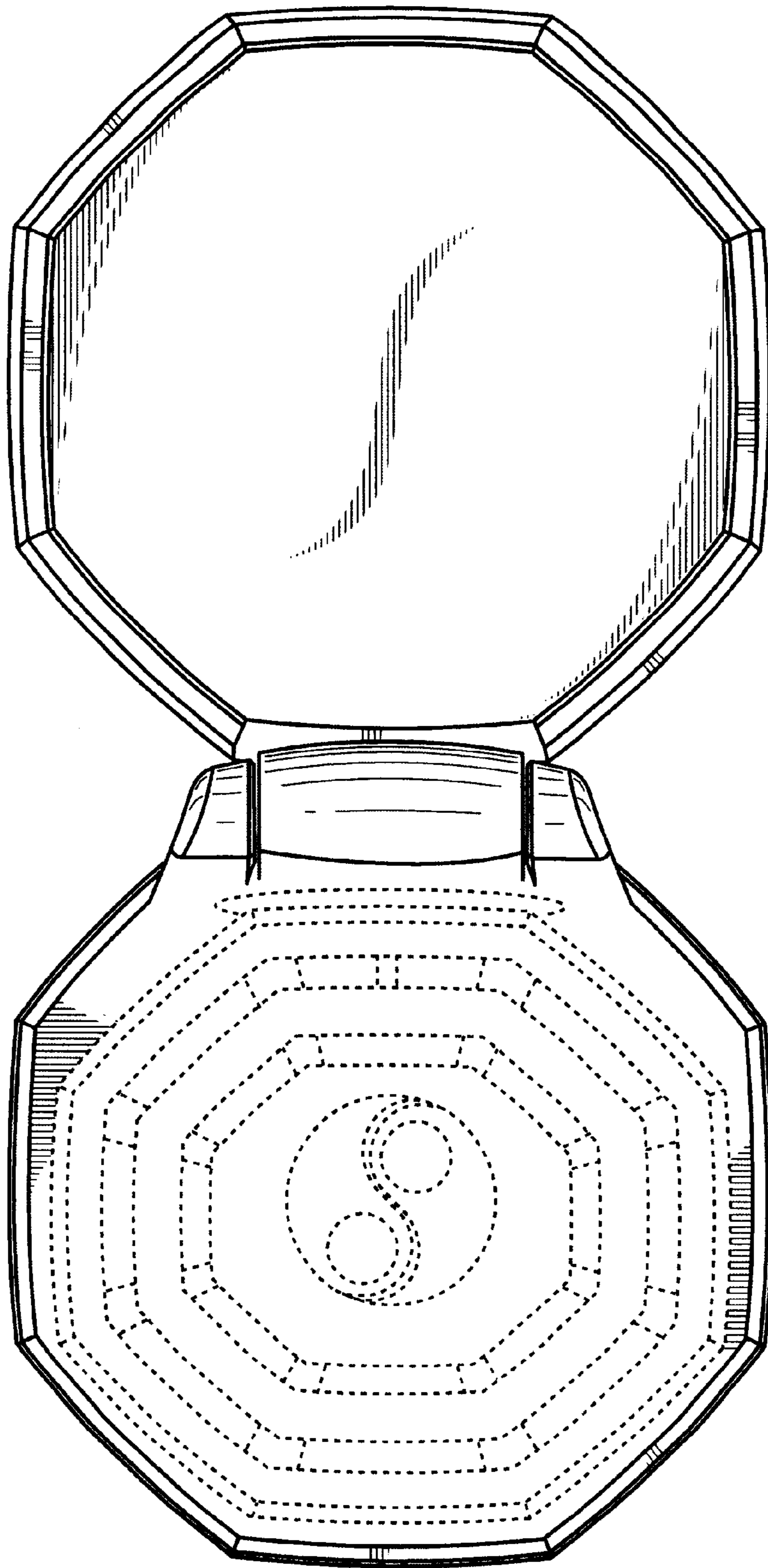


Fig. 9

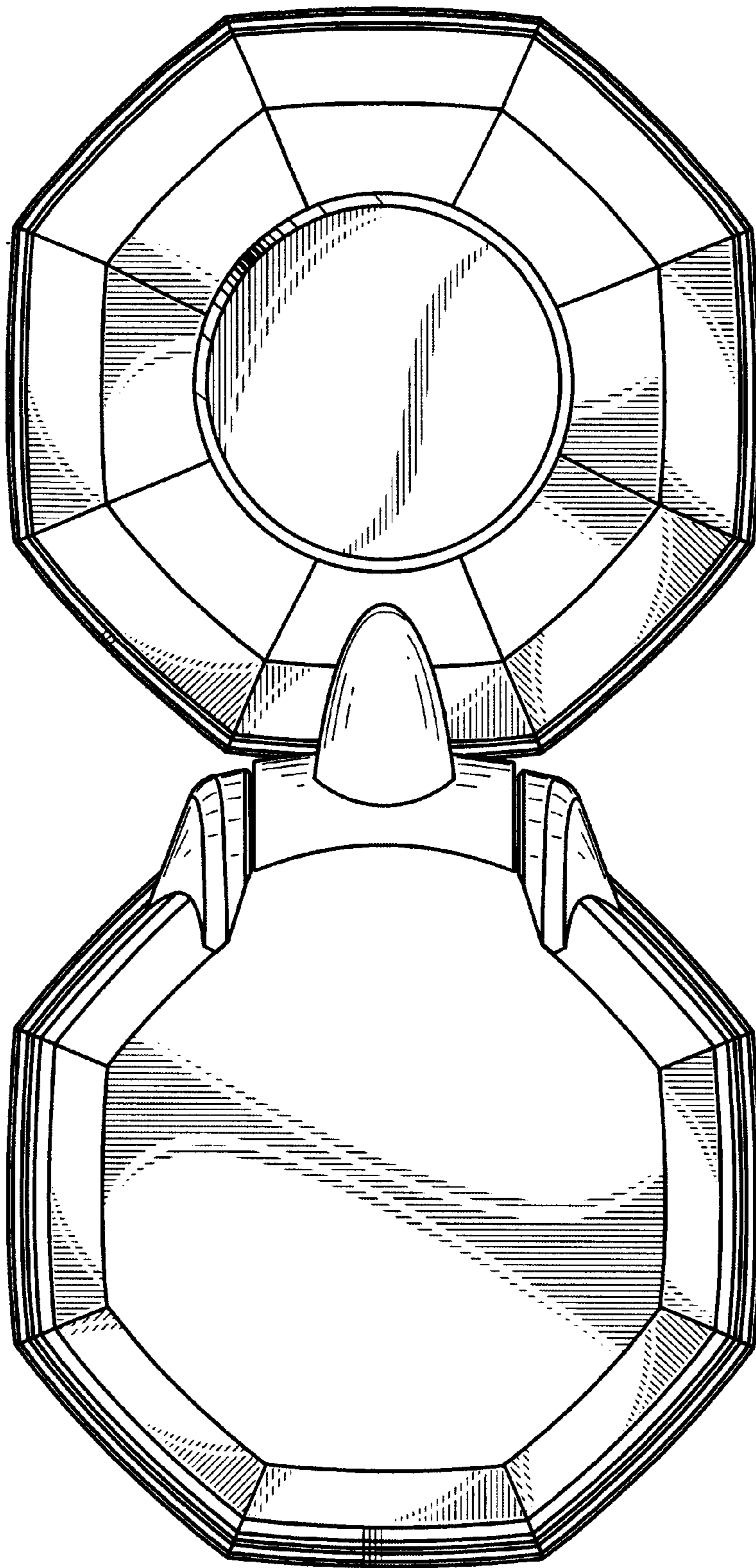


Fig. 10

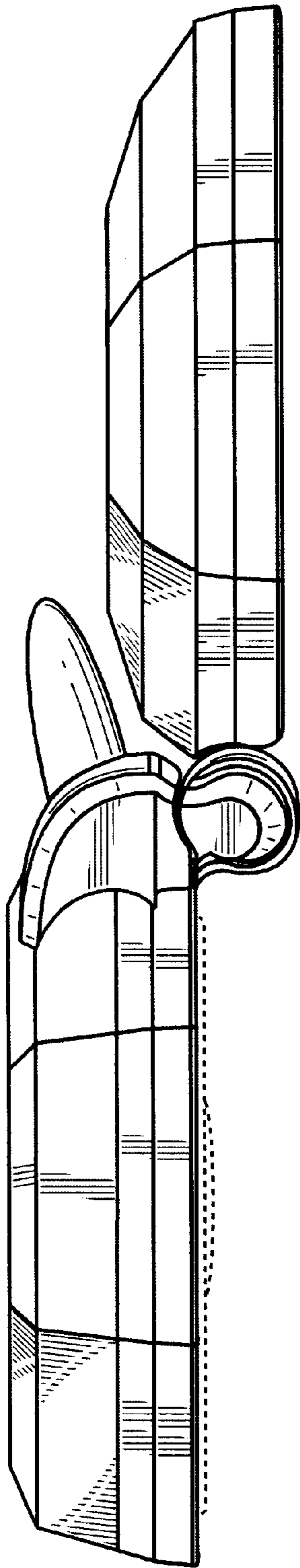


Fig. 11

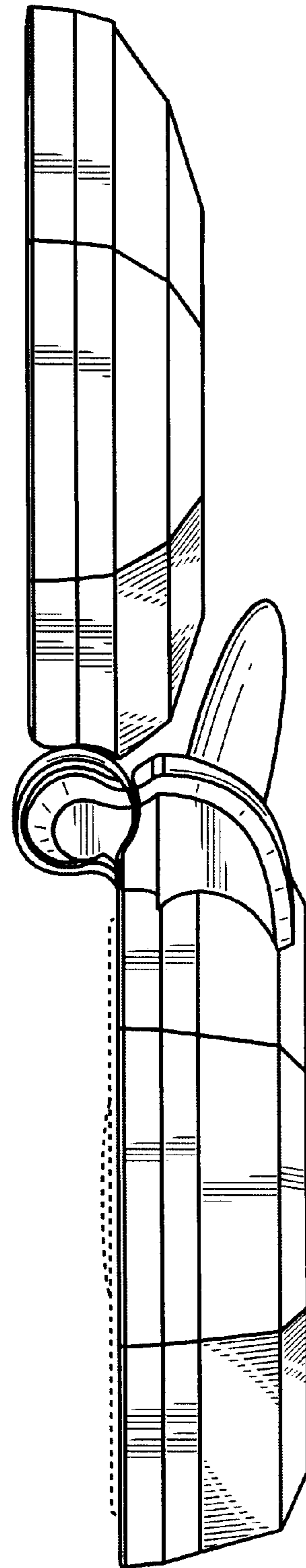


Fig. 12

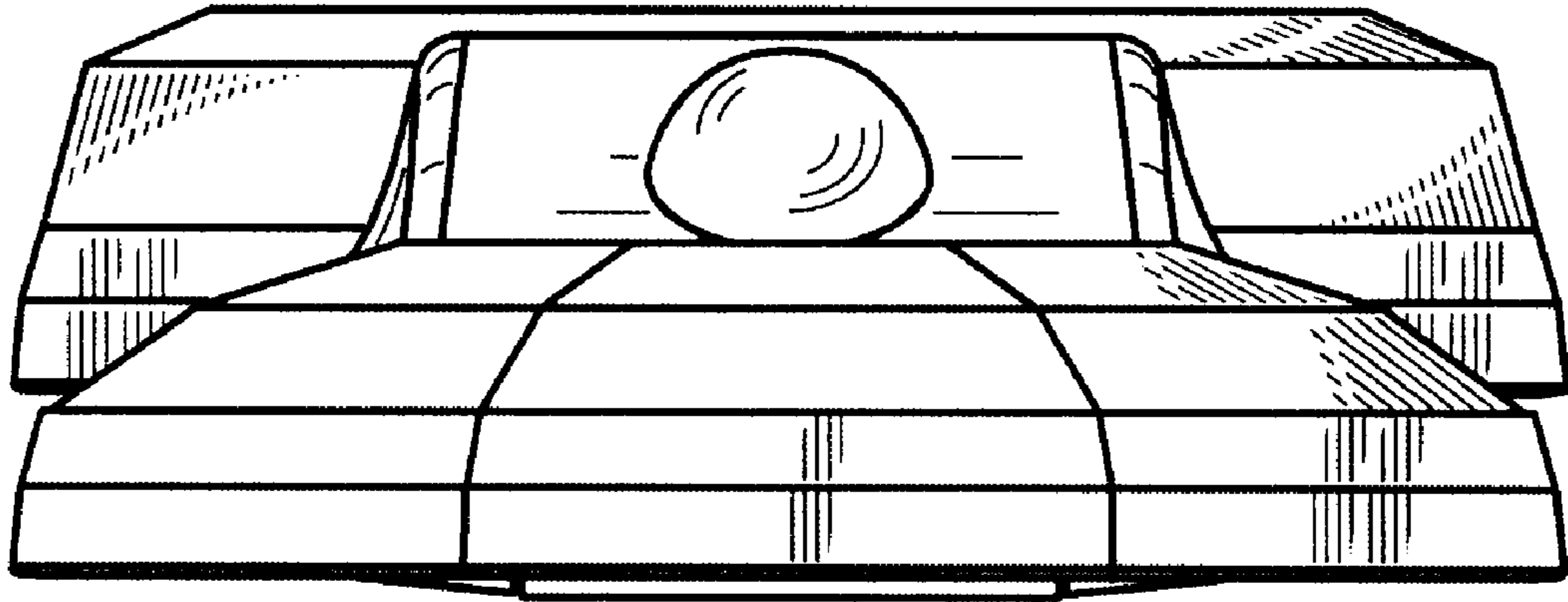


Fig. 13

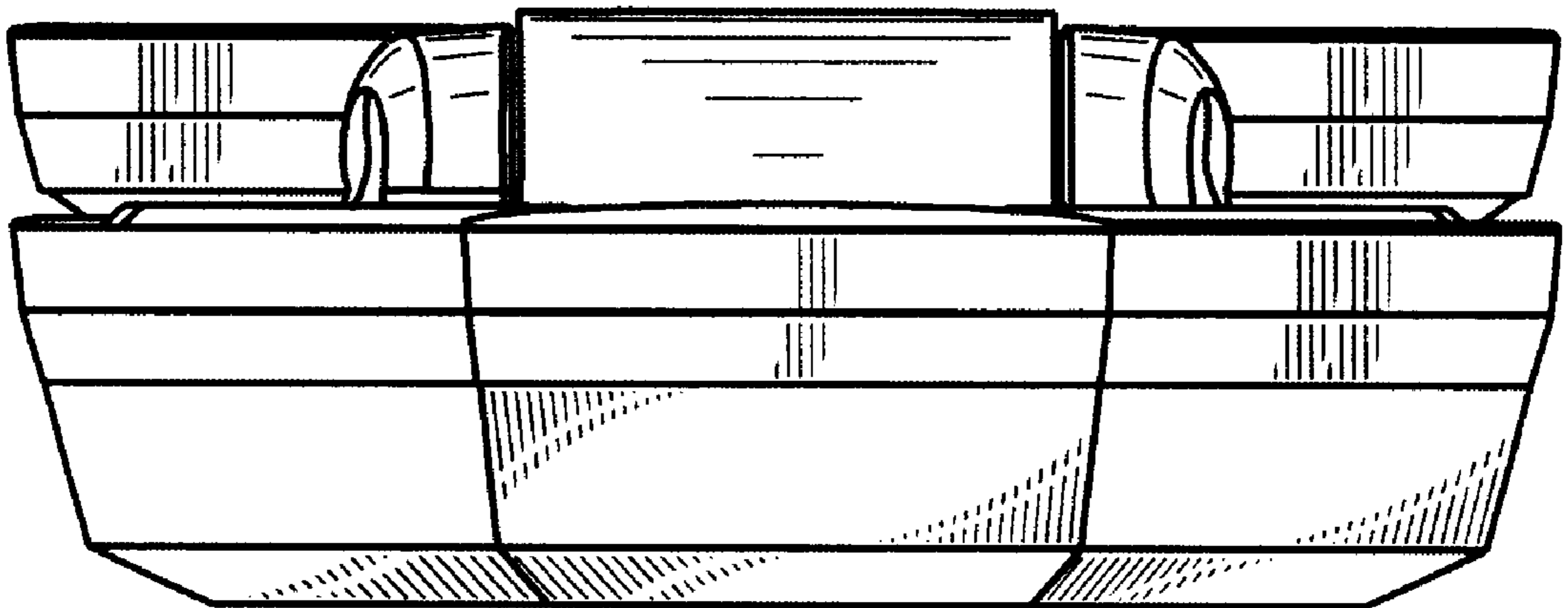


Fig. 14