



US00D487436S

(12) **United States Design Patent**
Miyazaki

(10) **Patent No.:** **US D487,436 S**

(45) **Date of Patent:** **** Mar. 9, 2004**

(54) **OPTICAL DISC PLAYER**

D446,194 S 8/2001 Yamazaki et al.

D467,236 S * 12/2002 Takita et al. D14/168

(75) Inventor: **Tetsuro Miyazaki**, Tokyo (JP)

OTHER PUBLICATIONS

(73) Assignee: **Sony Corporation**, Tokyo (JP)

Web page "PCM-7040," http://www.sony.jp/products/Professional/AUDIO/products/au_rp/pcm-7040.html, 1 sheet, Sony (Jan. 2003).

(**) Term: **14 Years**

Web page "DIR-240/120," <http://www.sony.jp/products/Professional/DataArchive/BC2/BC2-1/DIR-240-120...>, 1 sheet, Sony (Jan. 2003).

(21) Appl. No.: **29/179,842**

Web page "AJ-D360," <http://www.panasonic.co.jp/bsd/salesj/products/aj-d360.html>, 1 sheet, Matsushita Electronic Corporation (Jan. 2003).

(22) Filed: **Apr. 16, 2003**

(51) **LOC (7) Cl.** **14-01**

(52) **U.S. Cl.** **D14/136; D14/156**

(58) **Field of Search** D14/125, 135-136,
D14/156-157, 167-168, 188, 193-198,
257-258; 369/75.1, 75.2, 77.1, 77.2; 455/344,
347, 350-351

* cited by examiner

Primary Examiner—Nanda Bondade

(56) **References Cited**

(74) *Attorney, Agent, or Firm*—Rader, Fishman & Grauer PLLC

U.S. PATENT DOCUMENTS

(57) **CLAIM**

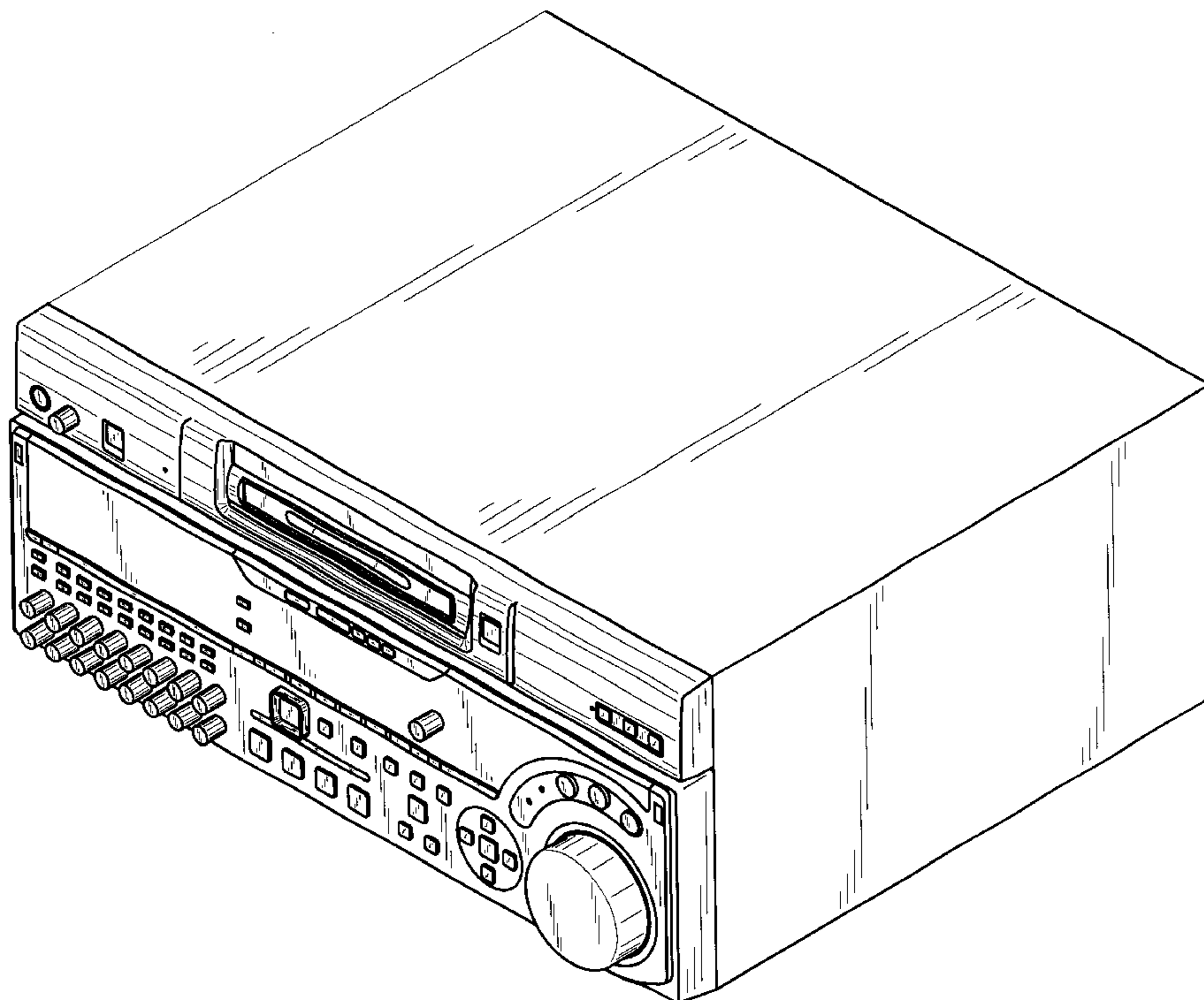
- D372,711 S 8/1996 Hyogo
- D377,350 S 1/1997 Niitsu
- D389,480 S 1/1998 Niitsu
- D394,655 S 5/1998 Niitsu
- D405,092 S 2/1999 Ohshima et al.
- D414,776 S 10/1999 Shintani et al.
- D418,830 S 1/2000 Yasutomi et al.
- D421,260 S 2/2000 Hyogo
- D423,008 S * 4/2000 Shintani D14/168
- D431,814 S 10/2000 Sasago
- D434,014 S 11/2000 Sasago
- D434,397 S 11/2000 Sasago
- D436,581 S * 1/2001 Oka D14/135
- D441,351 S * 5/2001 Ito et al. D14/168

The ornamental design for an optical disc player, as shown.

DESCRIPTION

FIG. 1 is a perspective view of an optical disc player showing my new design;
FIG. 2 is a front elevational view thereof;
FIG. 3 is a rear elevational view thereof;
FIG. 4 is a top plan view thereof;
FIG. 5 is a bottom plan view thereof;
FIG. 6 is a left side elevational view thereof; and,
FIG. 7 is a right side elevational view thereof.

1 Claim, 5 Drawing Sheets



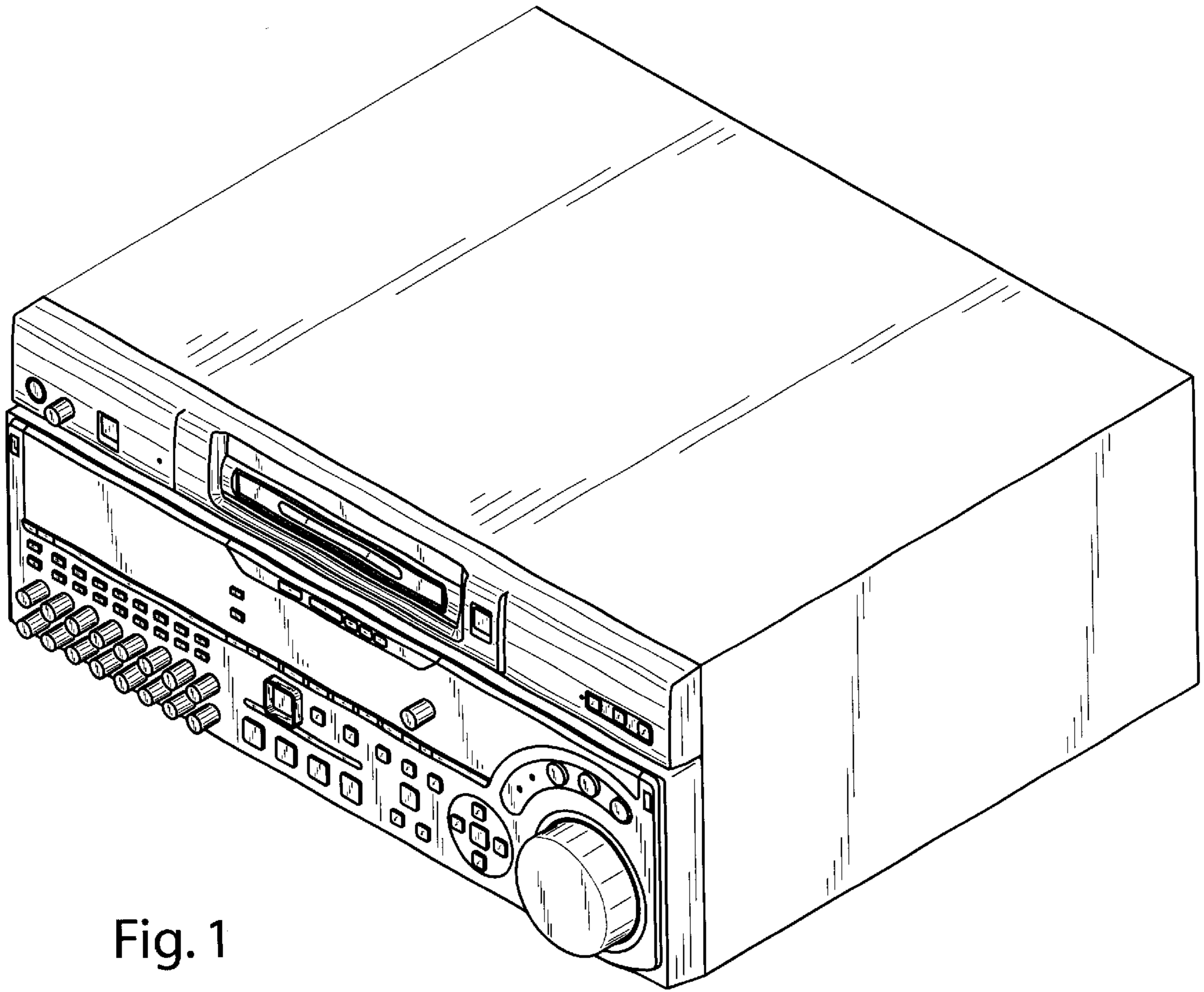


Fig. 1

Fig. 2

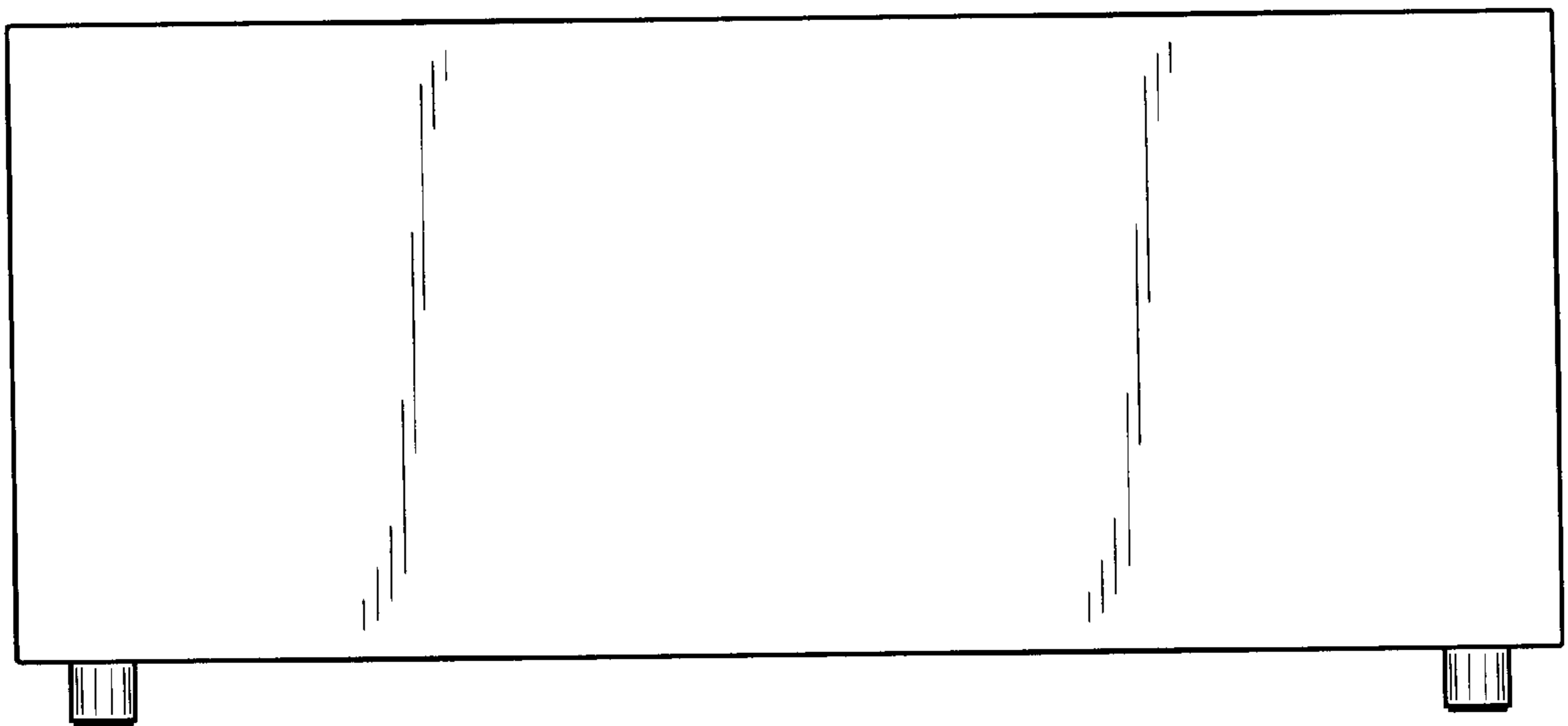
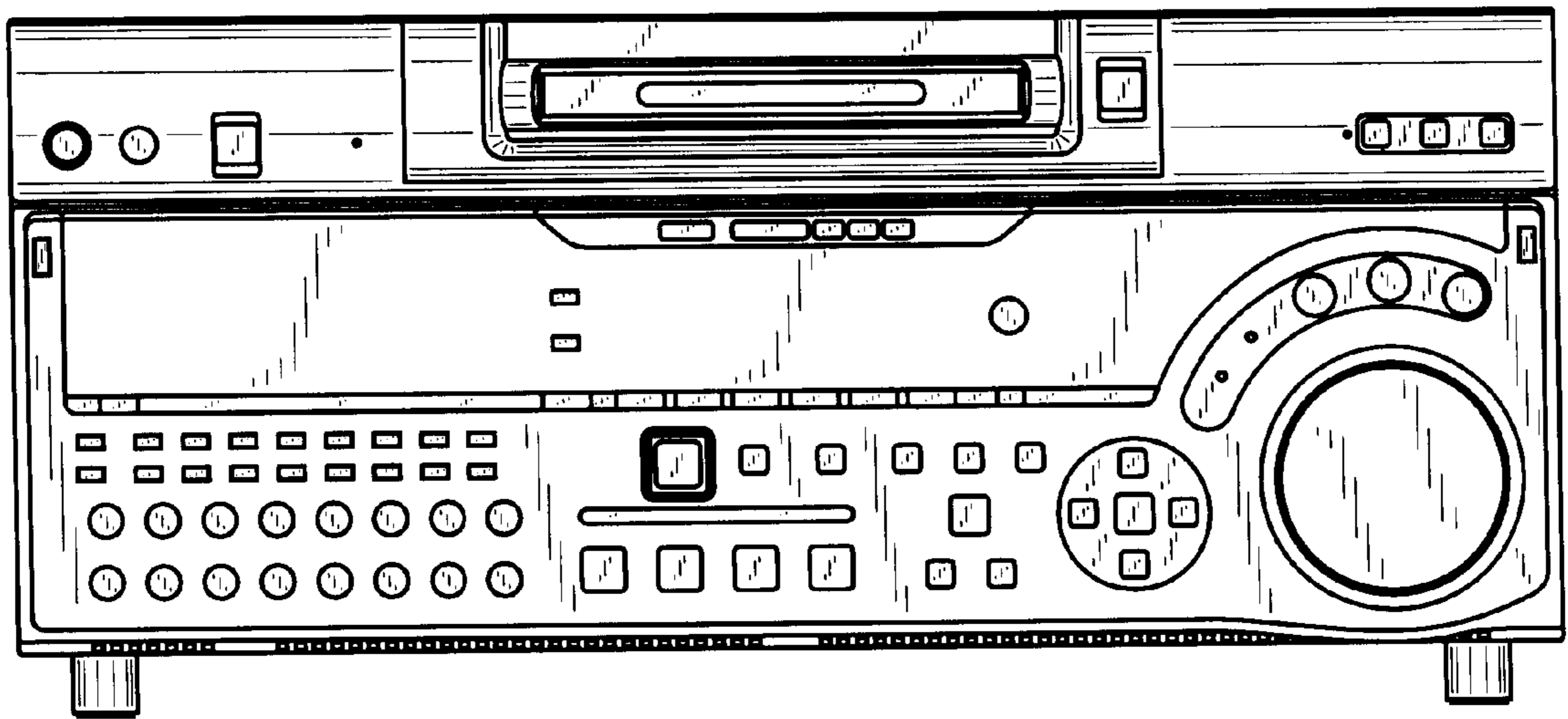


Fig. 3

Fig. 4

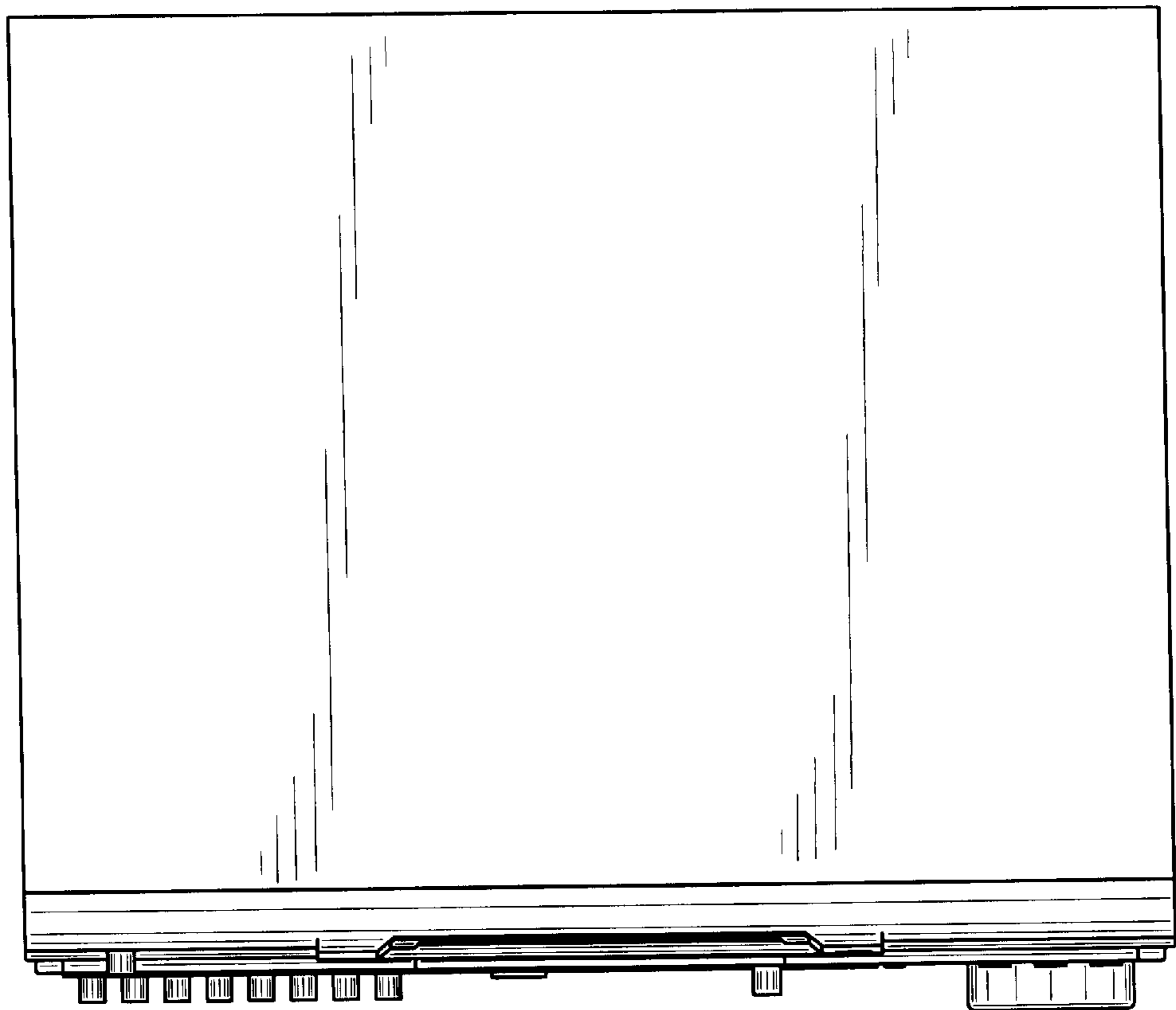


Fig. 5

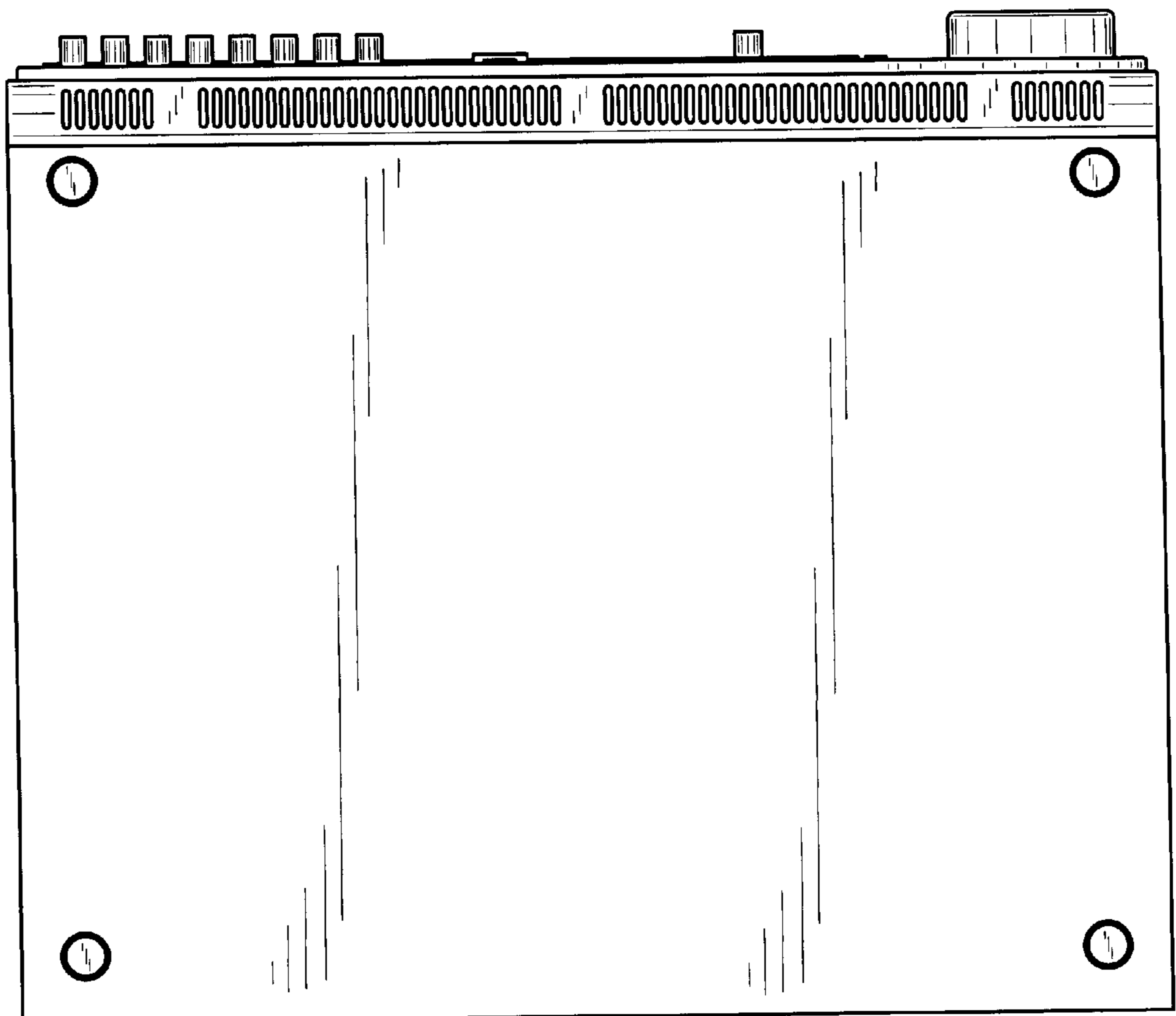


Fig. 6

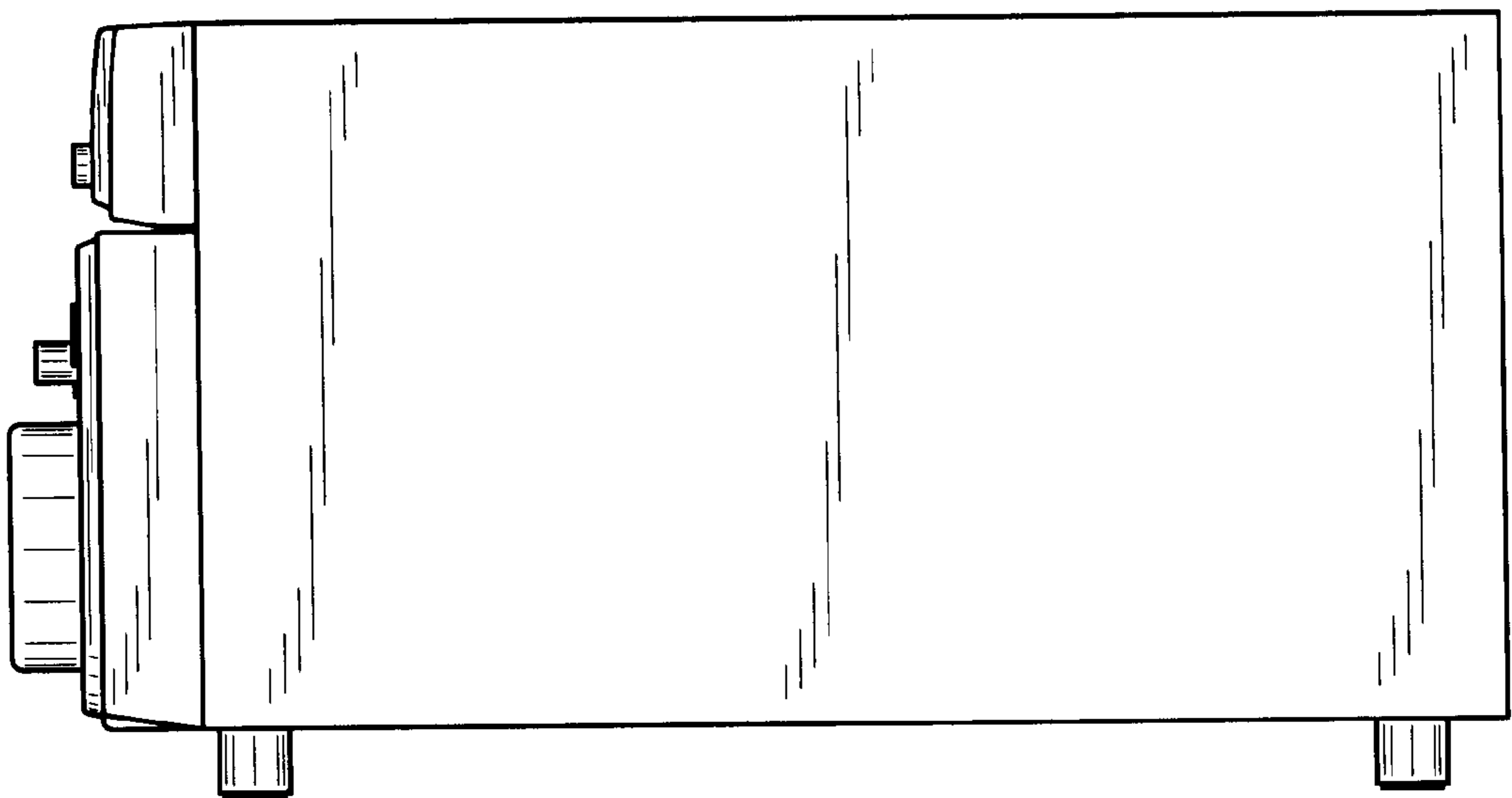
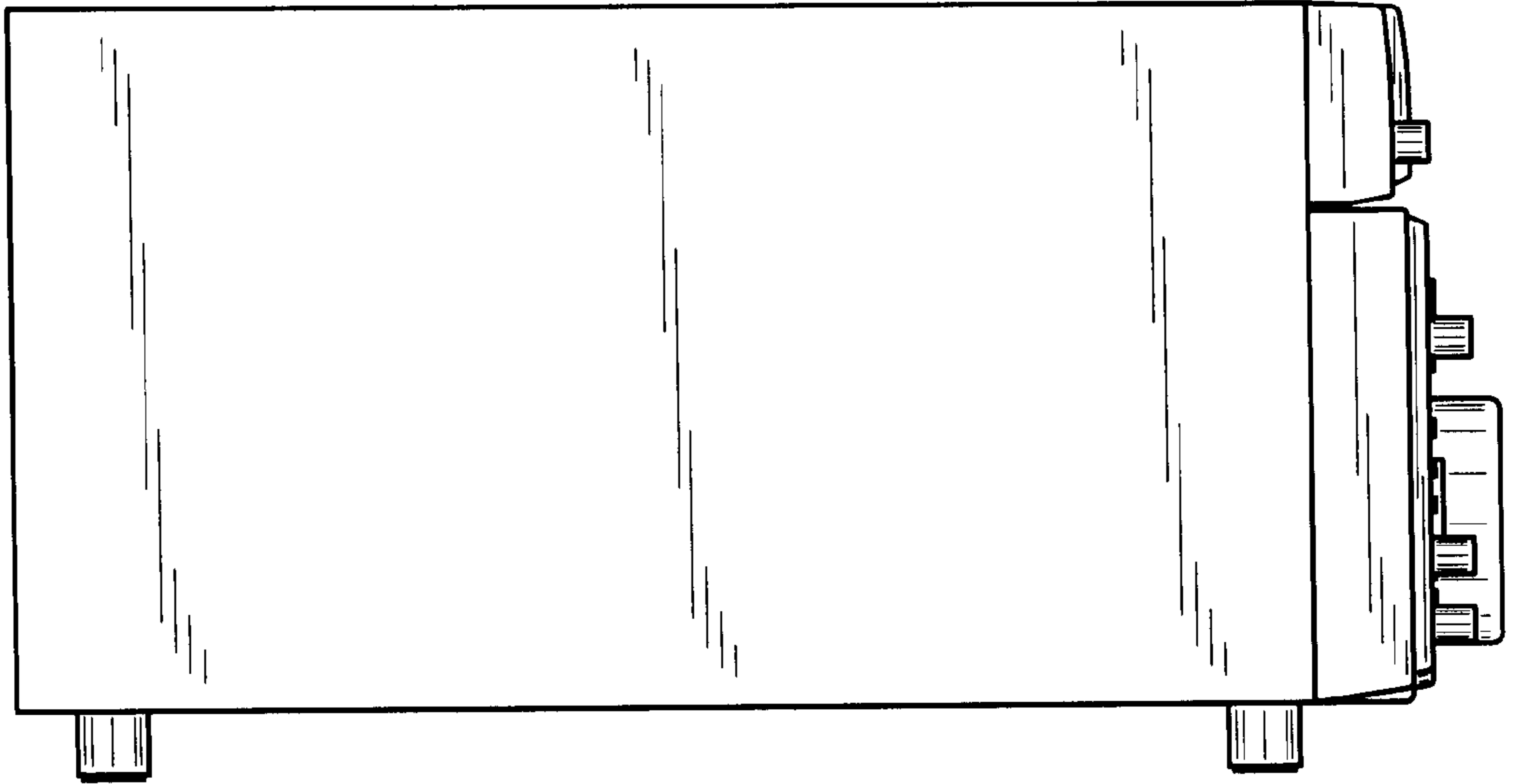


Fig. 7