



US00D487435S

(12) **United States Design Patent**
Huang et al.

(10) **Patent No.: US D487,435 S**

(45) **Date of Patent: ** *Mar. 9, 2004**

(54) **VIDEO PHONE**

(75) Inventors: **Ennin Huang**, Arcadia, CA (US); **Fred Chan**, Los Altos Hills, CA (US); **Didier Pietri**, Fremont, CA (US); **Edward Chan**, Fremont, CA (US)

(73) Assignee: **Vialta, Inc.**, Fremont, CA (US)

(*) Notice: This patent is subject to a terminal disclaimer.

(**) Term: **14 Years**

(21) Appl. No.: **29/167,361**

(22) Filed: **Sep. 11, 2002**

(51) **LOC (7) Cl. 14-03**

(52) **U.S. Cl. D14/130; D14/129**

(58) **Field of Search** D14/329, 330, D14/447, 374-376, 148, 147, 126, 149-151, 136, 331, 140-142, 146, 307, 240, 241, 129, 211, 214, 130, 144, 317, 336-337; 379/420.01, 420.02, 420.03, 419, 420.04, 428.02, 428.01, 428.04, 428.03, 454, 440, 90.01, 93.17, 93.19, 93.22, 433-436, 900, 441; 348/14.01-14.16; D20/10, 1, 4; D99/28; D25/4, 16; D6/310, 314, 421; 52/27.5; 40/748, 737; D10/15, 1, 2

(56) **References Cited**

U.S. PATENT DOCUMENTS

1,778,636	A	*	10/1930	Herbert	40/748
D213,108	S	*	1/1969	Dreyfuss et al.	D14/130
D237,801	S	*	11/1975	Genaro et al.	D14/130
D274,703	S	*	7/1984	Vogel	D10/15
D306,582	S	*	3/1990	Miyahara et al.	D14/126
D309,304	S	*	7/1990	Takada et al.	D14/144
D341,586	S	*	11/1993	Alvarez-Ryan et al.	D14/130
D346,965	S	*	5/1994	Wolff	D10/1
D366,975	S	*	2/1996	Kaga	D6/470
5,586,401	A	*	12/1996	Sheehan et al.	40/737

D377,340	S	*	1/1997	Brenner et al.	D14/331
D381,651	S	*	7/1997	Banik et al.	D14/129
D388,077	S	*	12/1997	Starck	D14/126
D391,565	S	*	3/1998	Nanjo	D14/130
D404,025	S	*	1/1999	Horne et al.	D14/331
D408,375	S	*	4/1999	Oba	D14/329
5,953,048	A	*	9/1999	Mikami et al.	348/14.01
D415,148	S		10/1999	Ma et al.		
D418,984	S	*	1/2000	Koconis	D6/314
D423,796	S	*	5/2000	Kwan	D6/314
D424,049	S	*	5/2000	Ho et al.	D14/130
D425,875	S	*	5/2000	Wilson	D14/307
D435,525	S	*	12/2000	Eddington et al.	D14/130
D436,630	S	*	1/2001	Gonsiorowski et al.	D20/10
D436,937	S	*	1/2001	Eddington et al.	D14/130
D438,182	S	*	2/2001	Wilson	D14/130
D438,569	S	*	3/2001	Hofmann	D20/10
D449,601	S	*	10/2001	Baldwin et al.	D14/336
D450,311	S	*	11/2001	Sawhney et al.	D14/214
D461,184	S	*	8/2002	Chen	D14/336
D464,050	S	*	10/2002	Mori	D14/375
D467,897	S	*	12/2002	Lin	D14/211

* cited by examiner

Primary Examiner—Jeffrey Asch

(74) *Attorney, Agent, or Firm*—Milbank, Tweed, Hadley & McCloy LLP

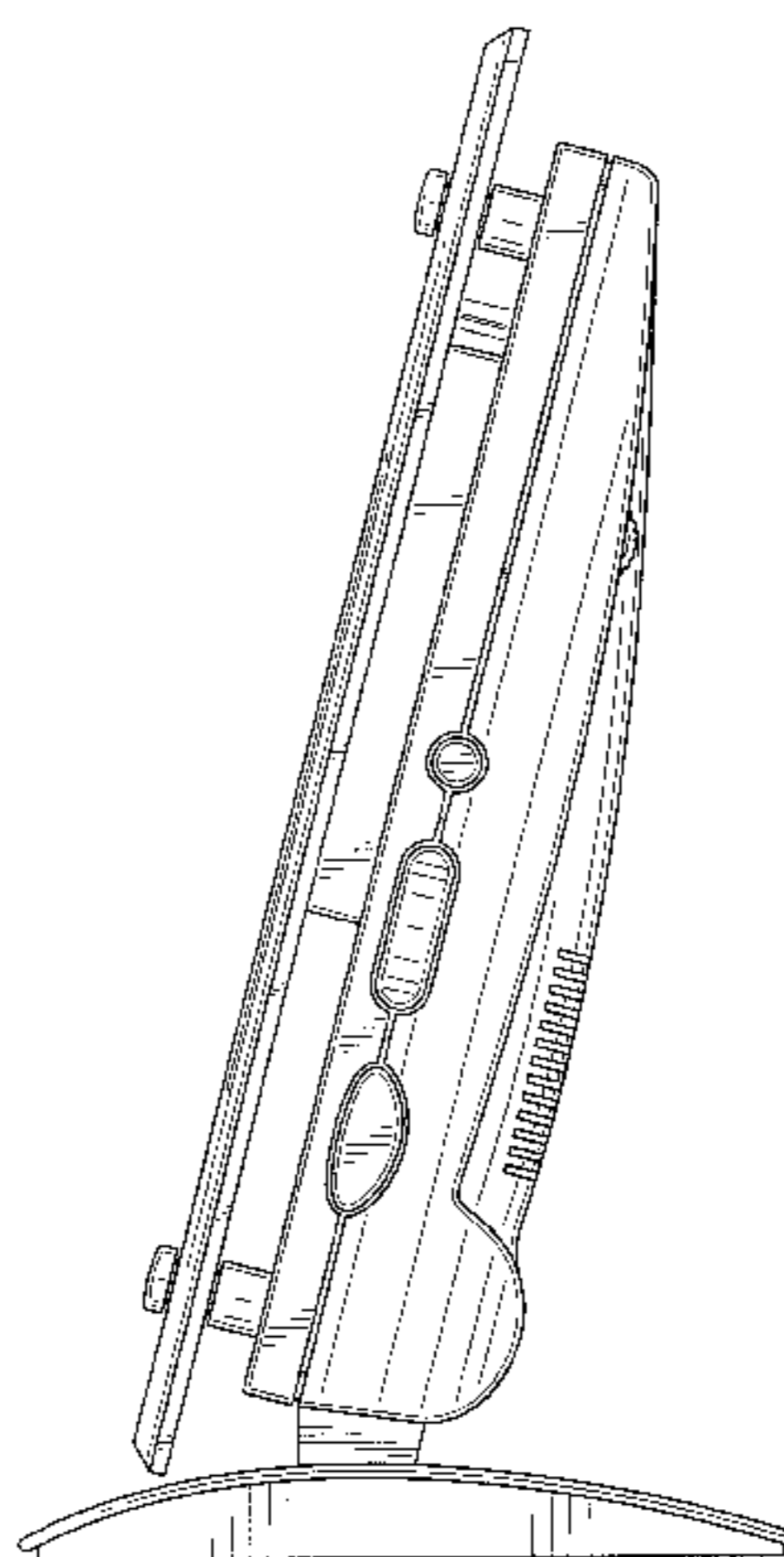
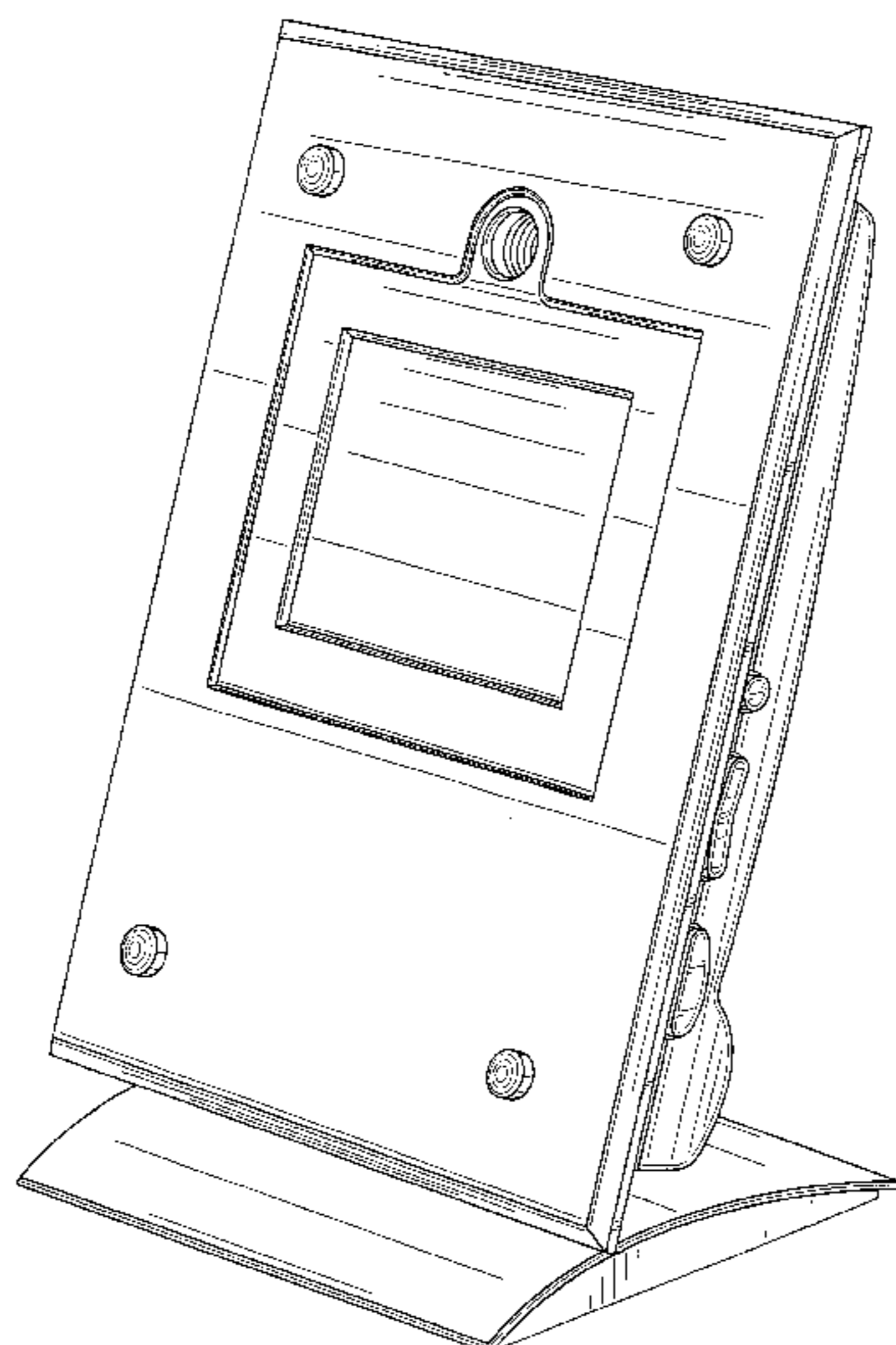
(57) **CLAIM**

The ornamental design for a video phone, as shown and described.

DESCRIPTION

FIG. 1 is a perspective view showing our new design for a video phone;
FIG. 2 is a front view thereof;
FIG. 3 is a back view thereof;
FIG. 4 is a left side view thereof;
FIG. 5 is a right side view thereof;
FIG. 6 is a top view thereof; and,
FIG. 7 is a bottom view thereof.

1 Claim, 7 Drawing Sheets



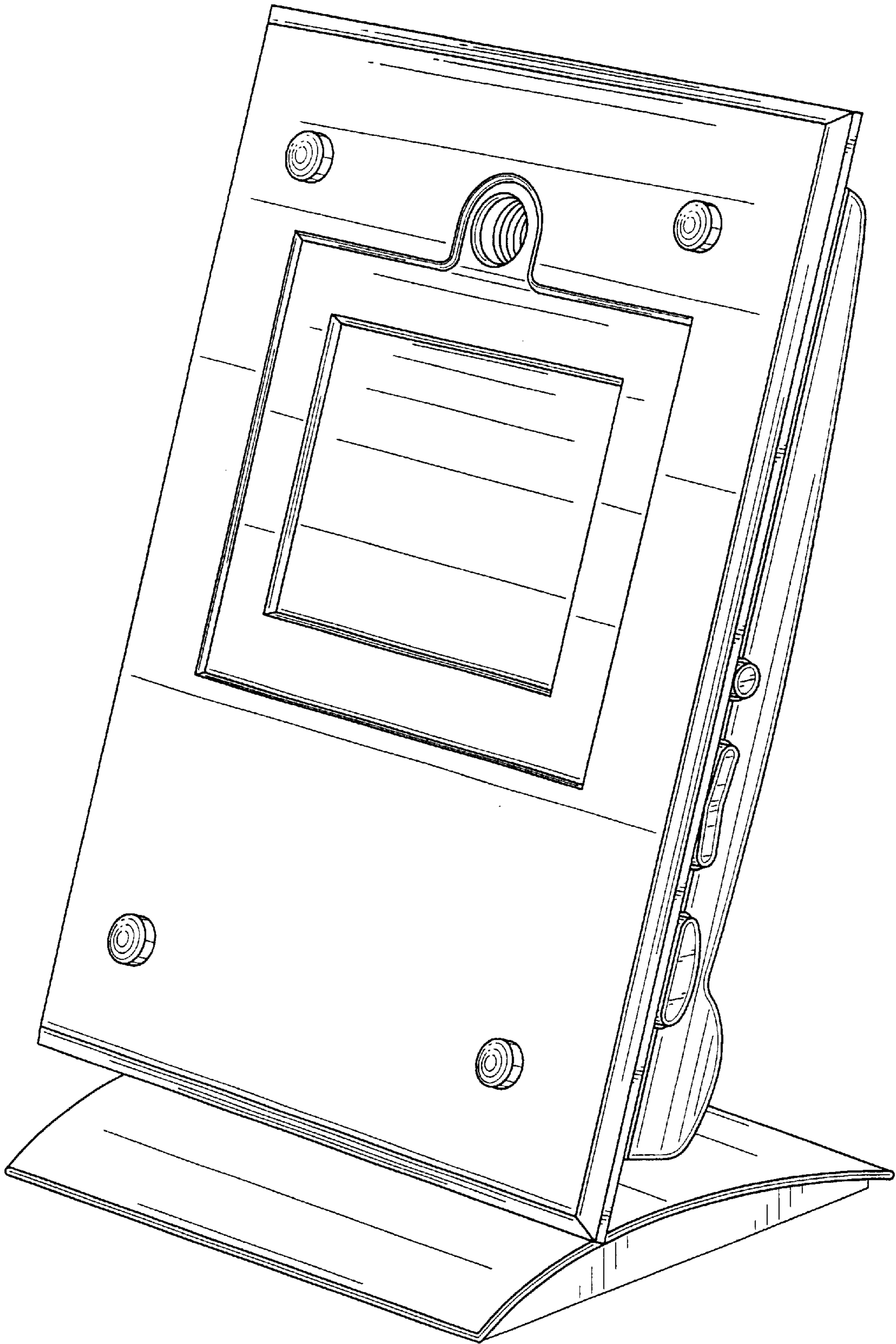


FIG. 1

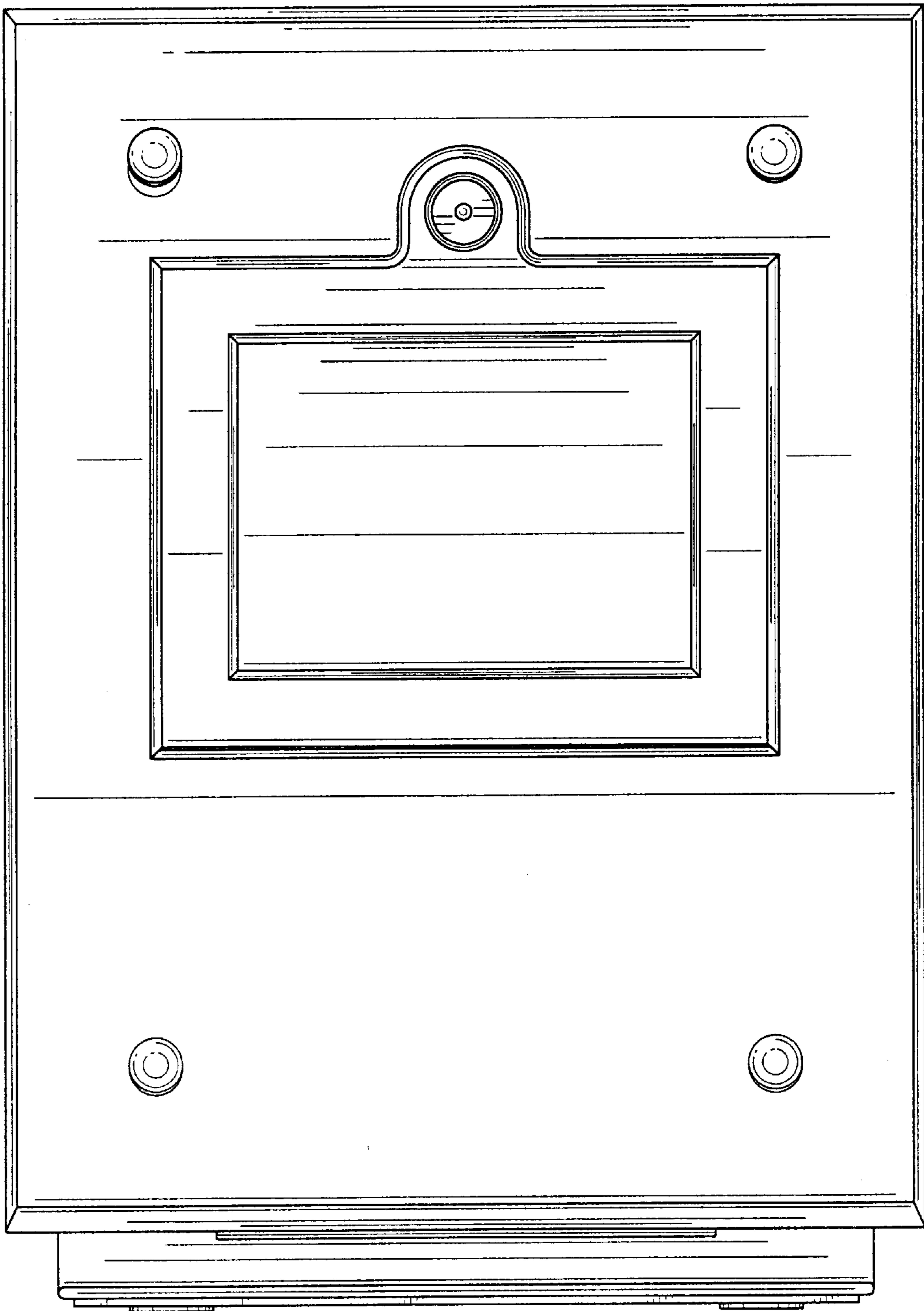


FIG. 2

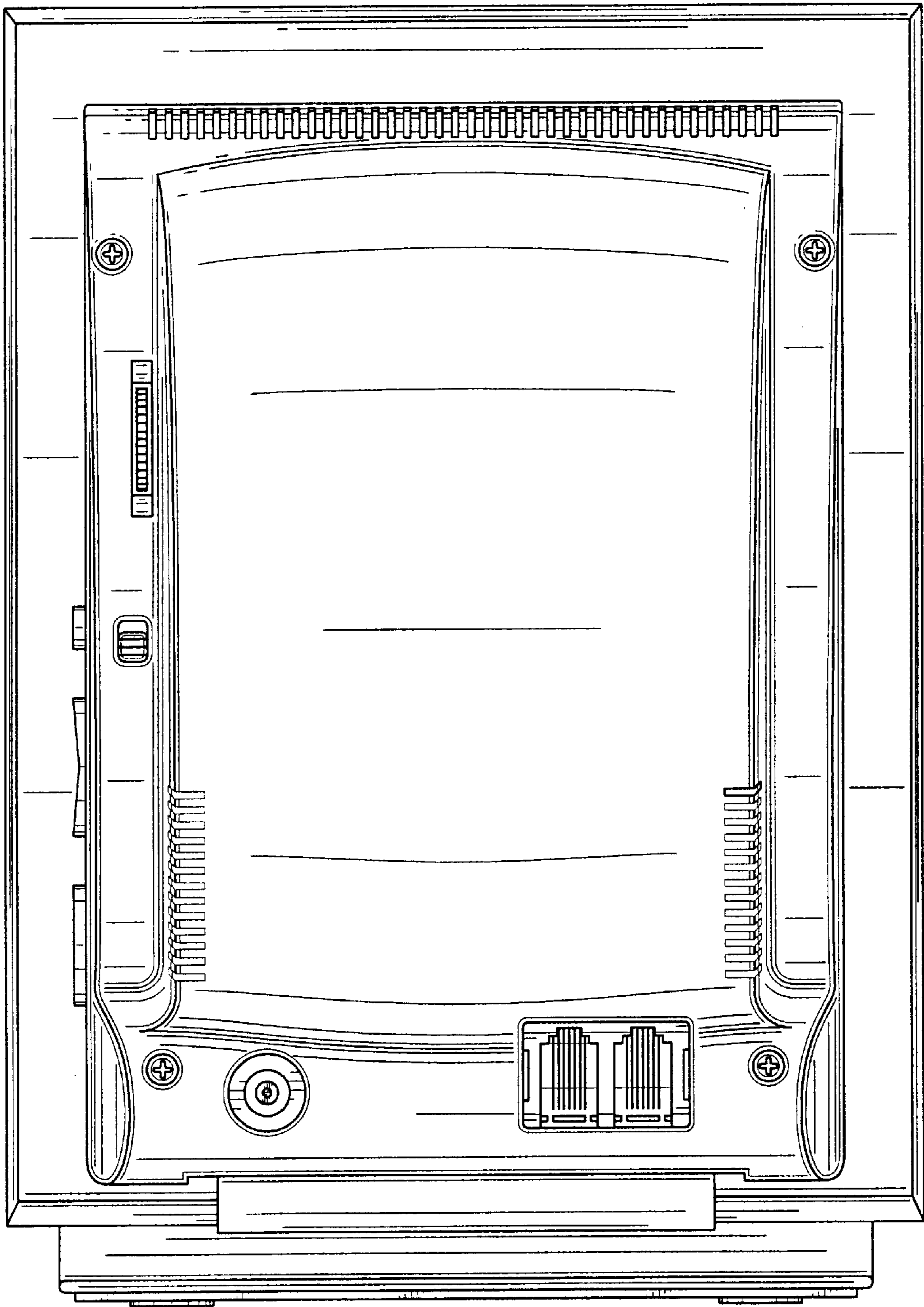


FIG. 3

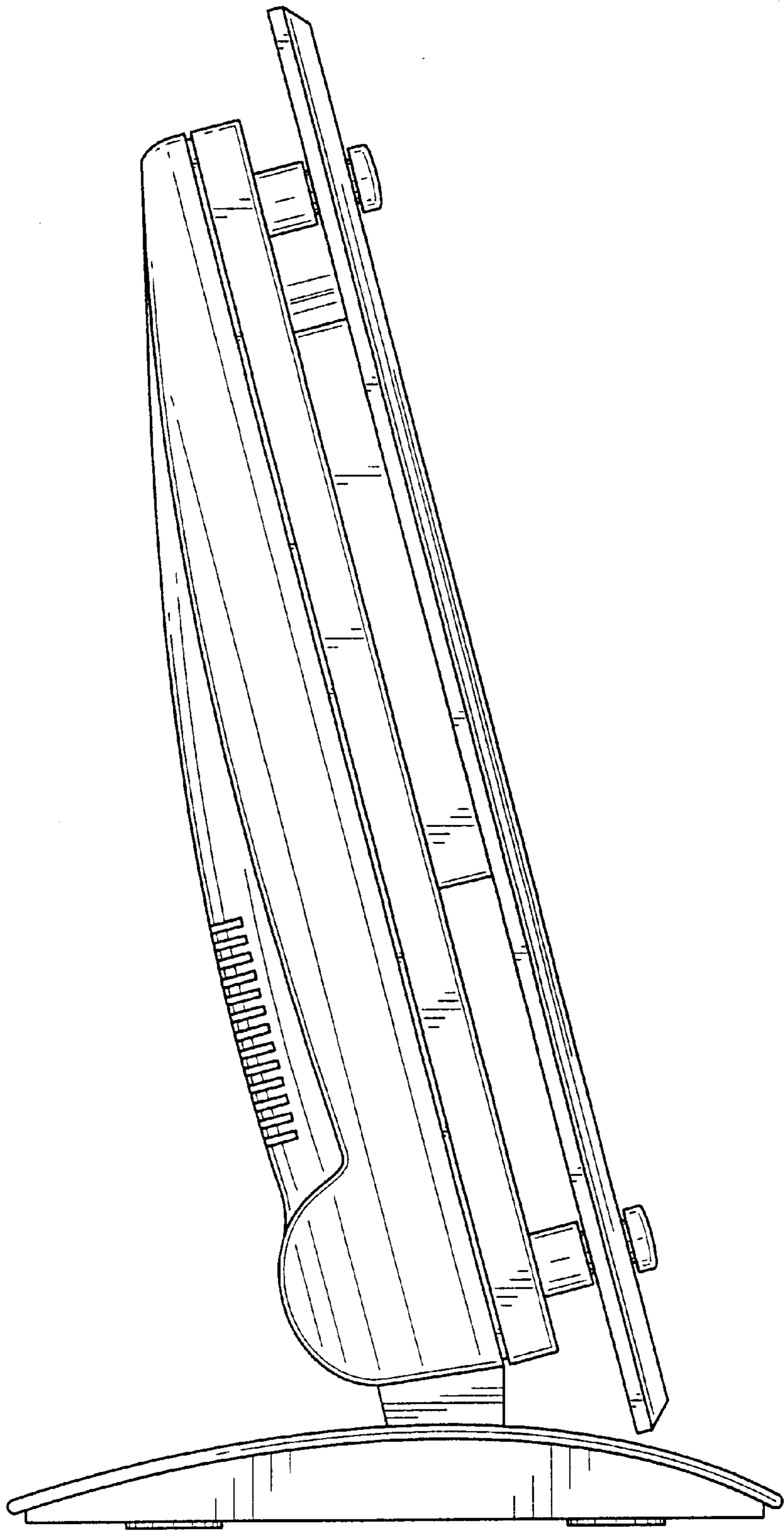


FIG. 4

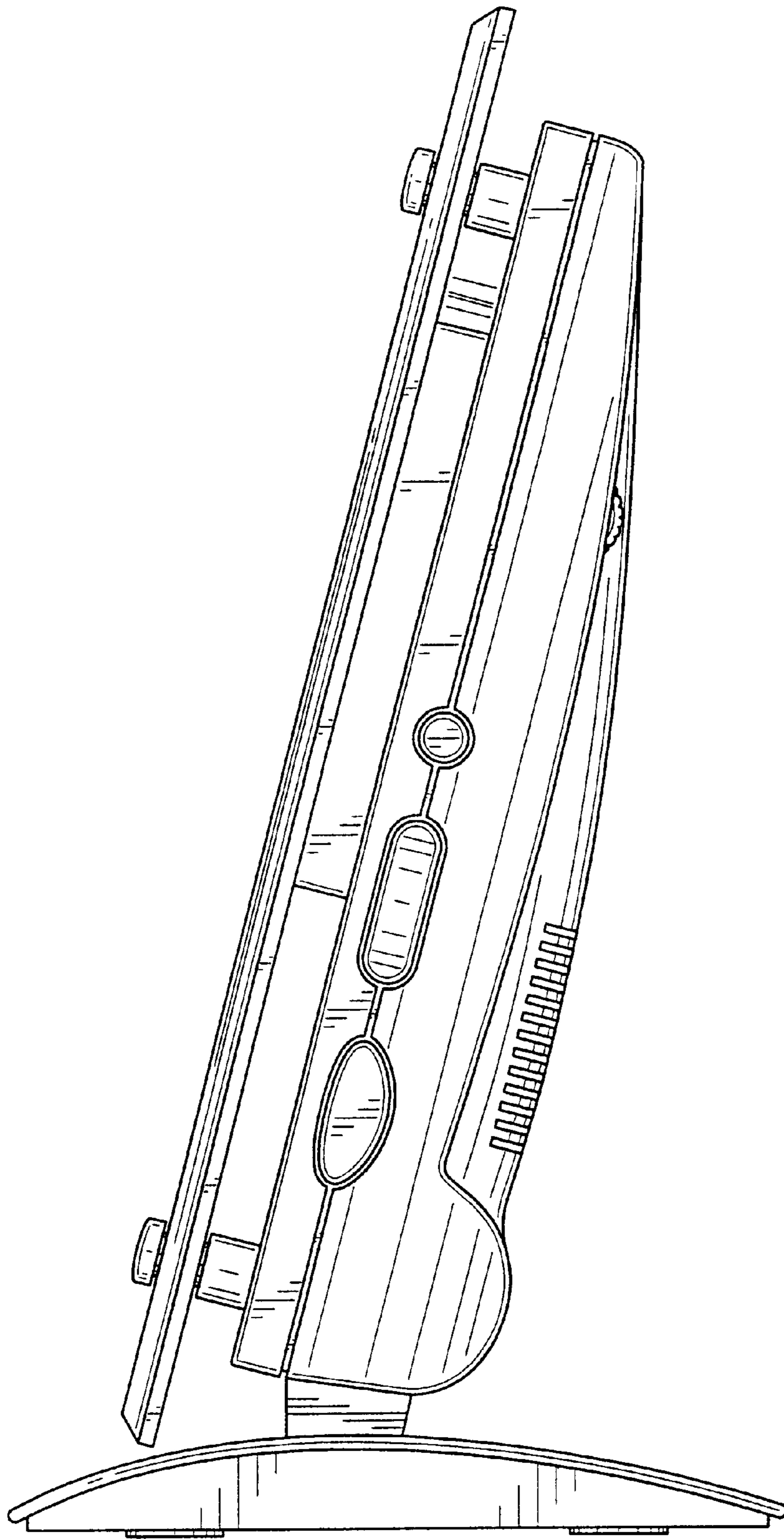


FIG. 5

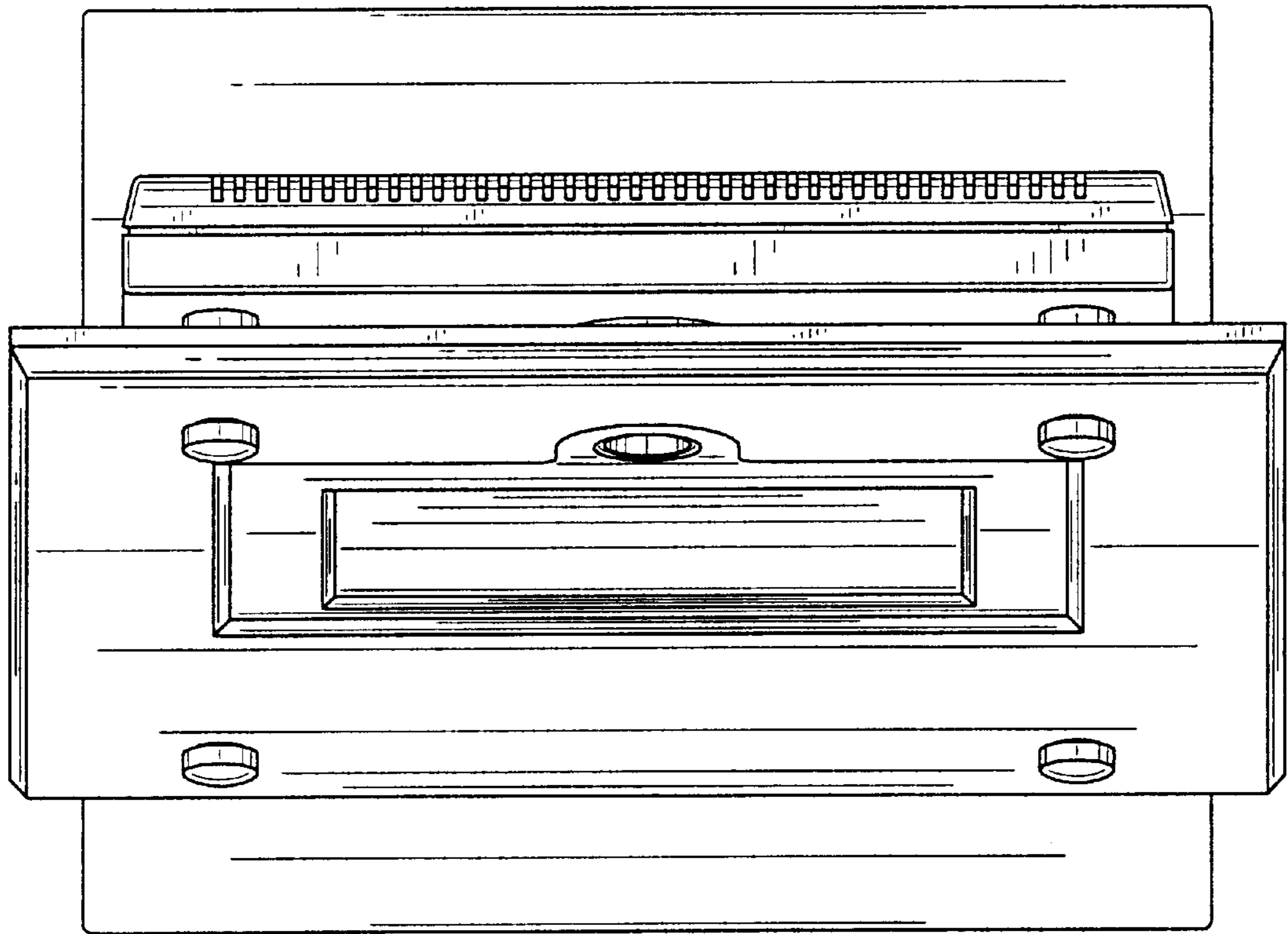


FIG.6

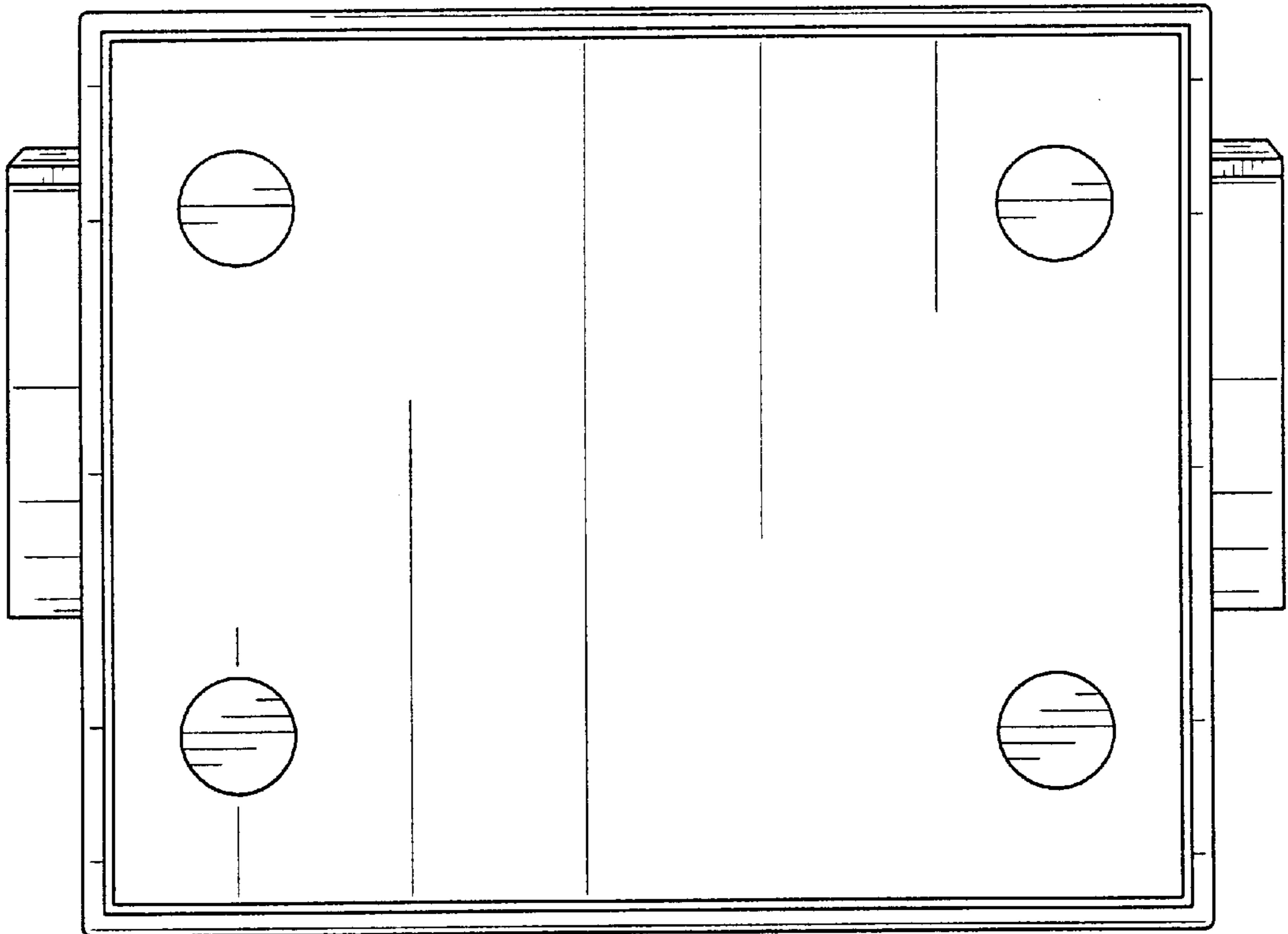


FIG. 7