



US00D487433S

(12) **United States Design Patent**
Kanatani

(10) **Patent No.:** **US D487,433 S**

(45) **Date of Patent:** **** Mar. 9, 2004**

(54) **MONITOR TELEVISION RECEIVER**

(75) Inventor: **Masakazu Kanatani**, Tokyo (JP)

(73) Assignee: **Sony Corporation**, Tokyo (JP)

(**) Term: **14 Years**

(21) Appl. No.: **29/182,567**

(22) Filed: **May 29, 2003**

(51) **LOC (7) Cl.** **14-03**

(52) **U.S. Cl.** **D14/126**

(58) **Field of Search** D14/125-136,
D14/239, 371, 374-376; 312/7.2; 348/836,
838, 180, 184, 325, 739; 341/12; 248/917-924;
345/104, 133, 156, 168, 87, 173

(56) **References Cited**

U.S. PATENT DOCUMENTS

D359,730 S	*	6/1995	Kazama	D14/126
D410,447 S	*	6/1999	Chang	D14/375
D414,164 S	*	9/1999	Rorke et al.	D14/374
D419,538 S	*	1/2000	Matsuoka et al.	D14/376
D429,227 S	*	8/2000	Shimizu	D14/132
D432,102 S		10/2000	Arie		
D454,845 S		3/2002	Niitsu		

OTHER PUBLICATIONS

Web Page "Sony eCatalog," <http://www.ecat.sony.co.jp/computer/display/products/index.cfm!PD=8519&KM=S...>, 1 sheet, Sony (Feb. 2003).

* cited by examiner

Primary Examiner—Raphael Barkai

(74) *Attorney, Agent, or Firm*—Rader, Fishman & Grauer PLLC

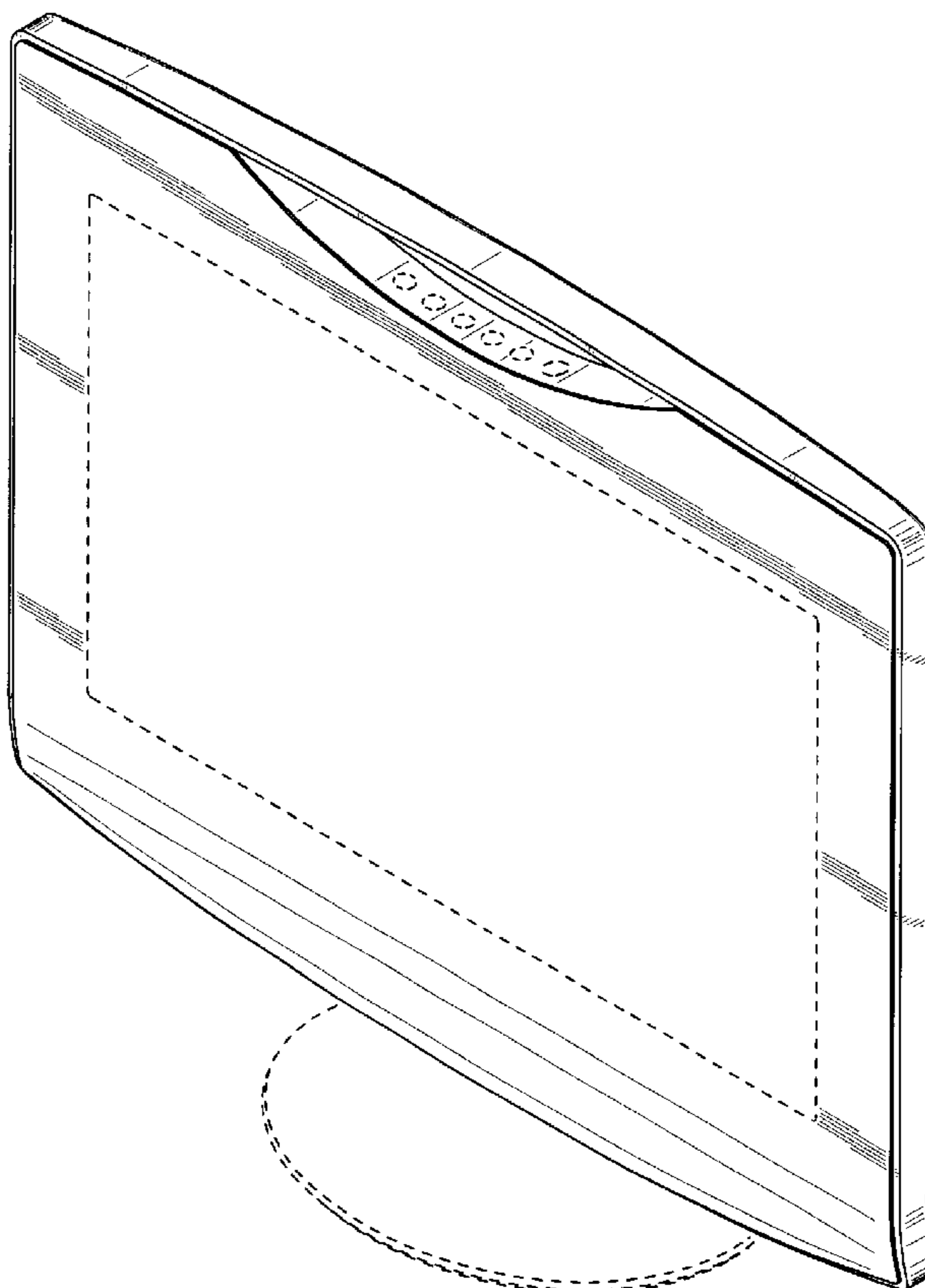
(57) **CLAIM**

The ornamental design for a monitor television receiver, as shown and described.

DESCRIPTION

FIG. 1 is a perspective view of a monitor television receiver showing my new design;
FIG. 2 is a front elevational view thereof;
FIG. 3 is a rear elevational view thereof;
FIG. 4 is a left side elevational view thereof;
FIG. 5 is a right side elevational view thereof;
FIG. 6 is a top plan view thereof; and,
FIG. 7 is a bottom plan view thereof.
Portions in broken lines are for illustrative purposes only and form no part of the claimed design.

1 Claim, 4 Drawing Sheets



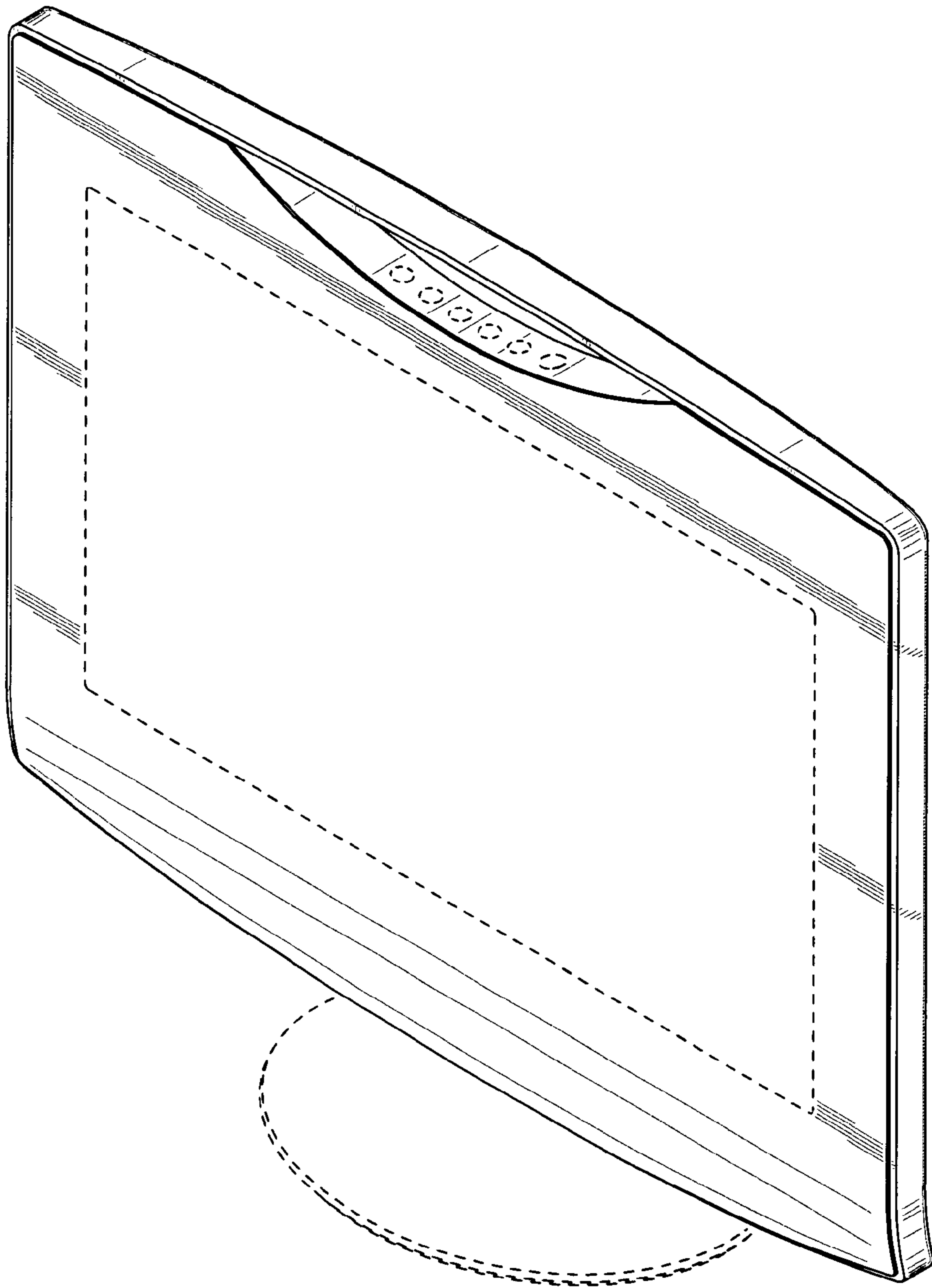


FIG. 1

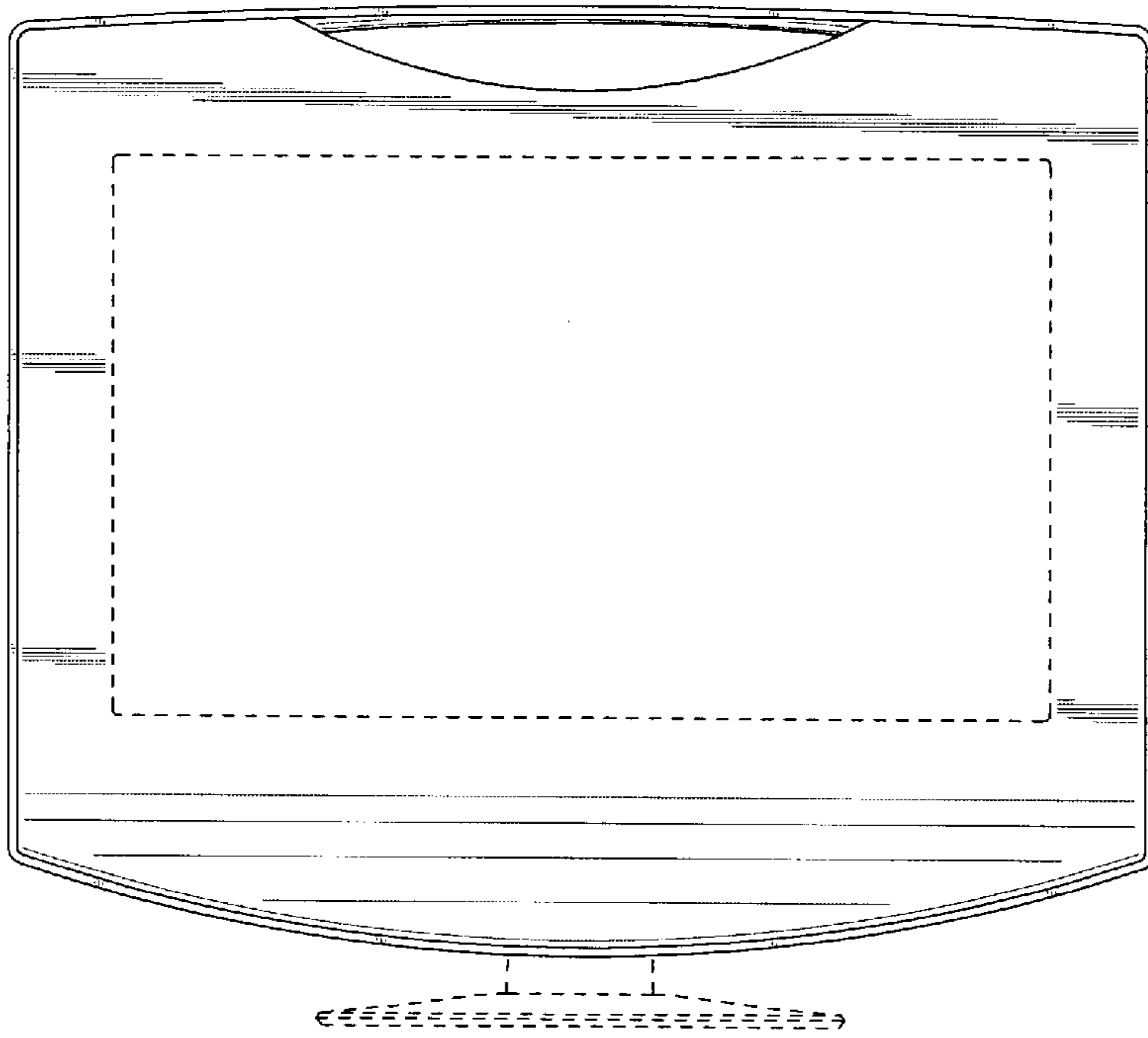


FIG. 2

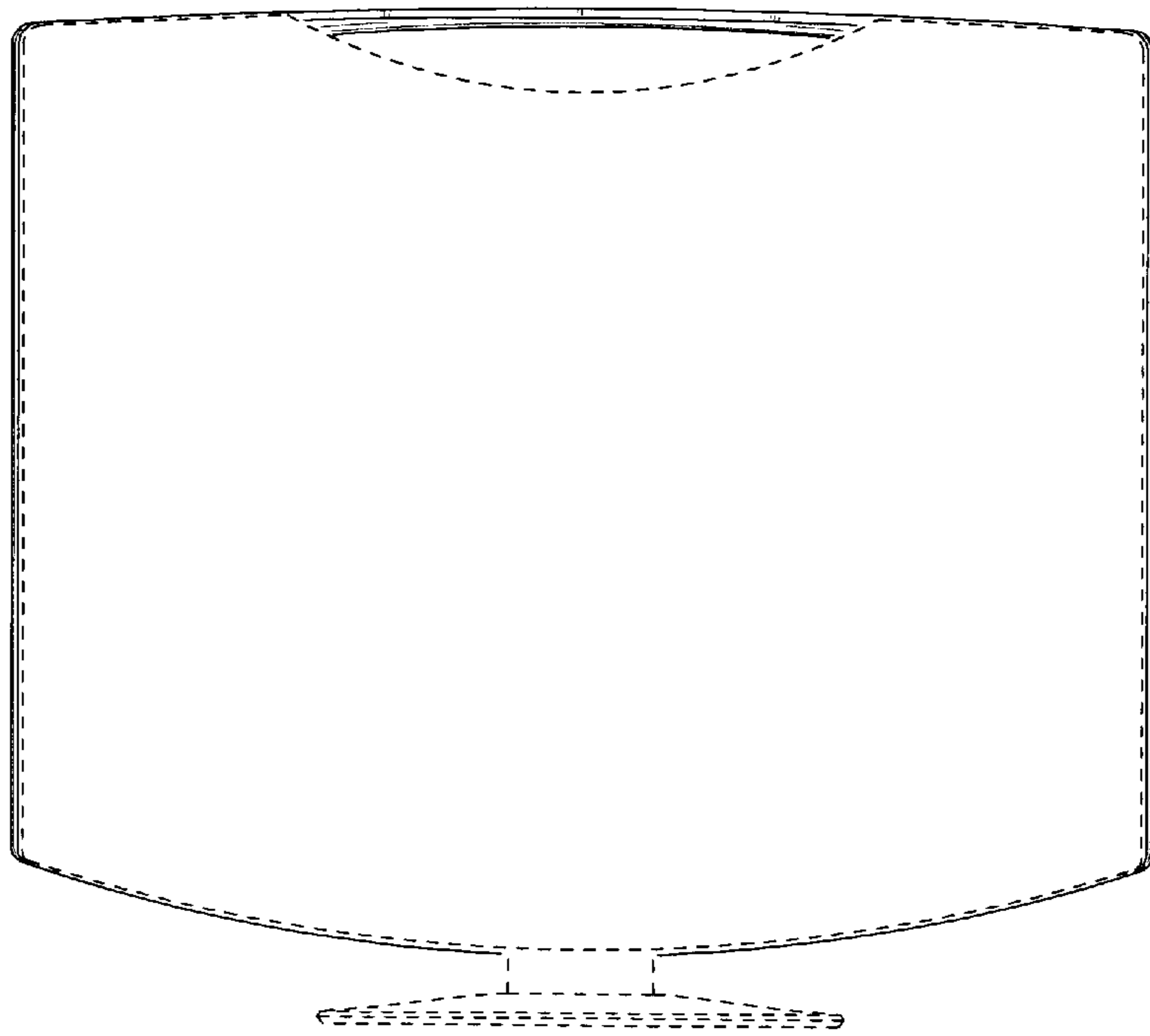


FIG. 3

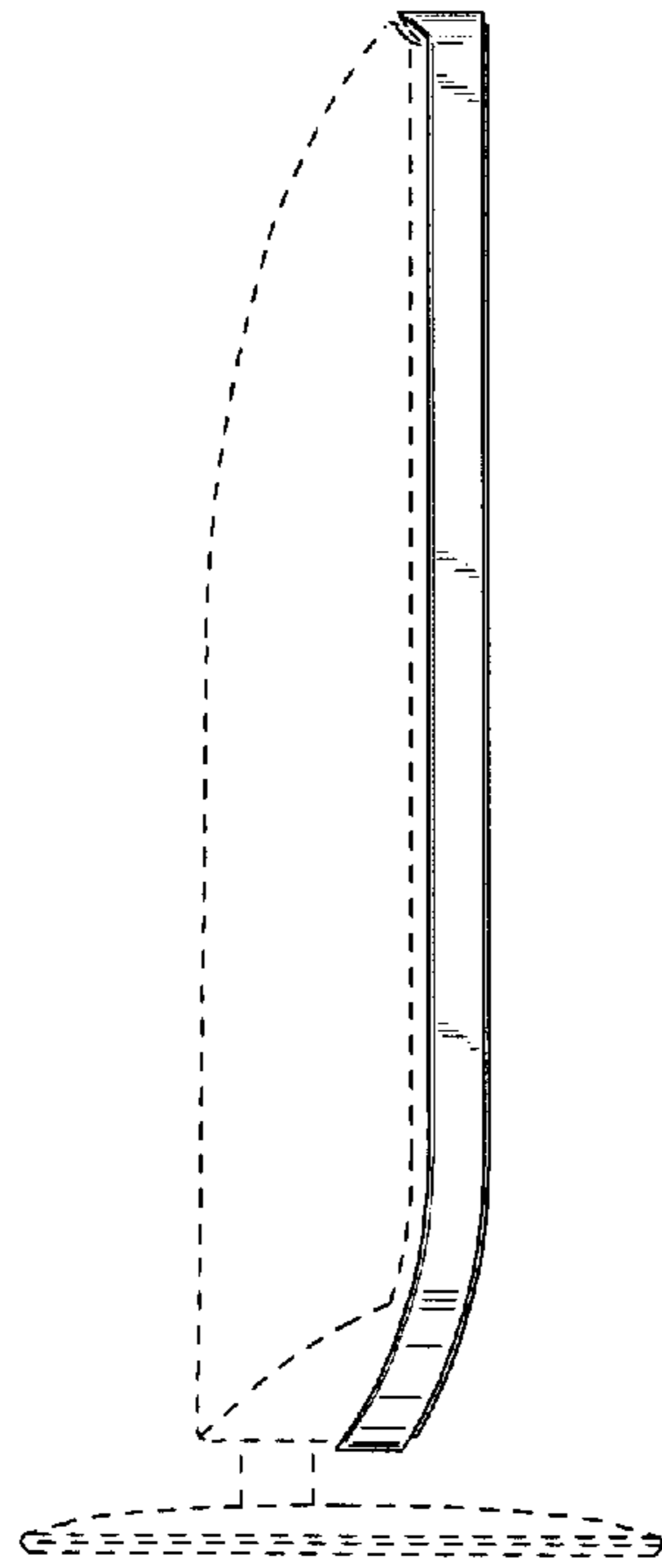


FIG. 4

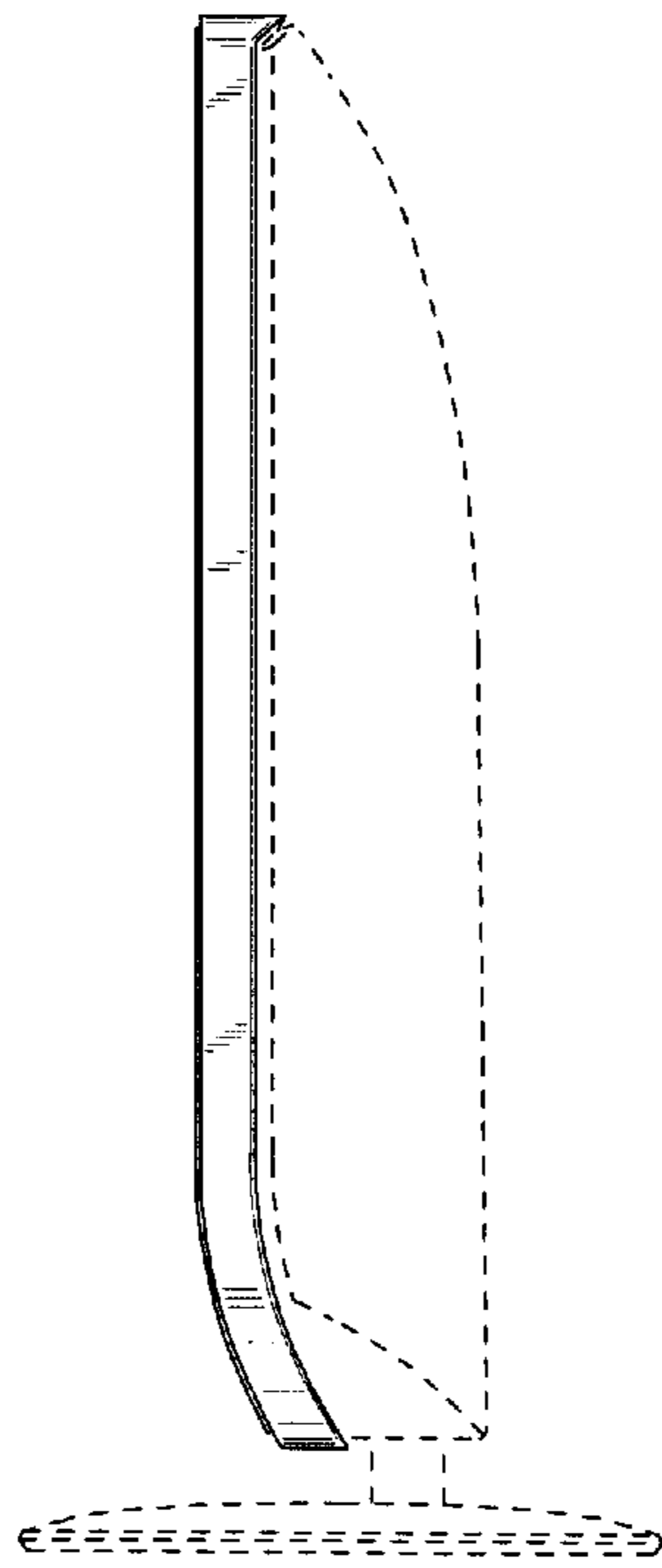


FIG. 5

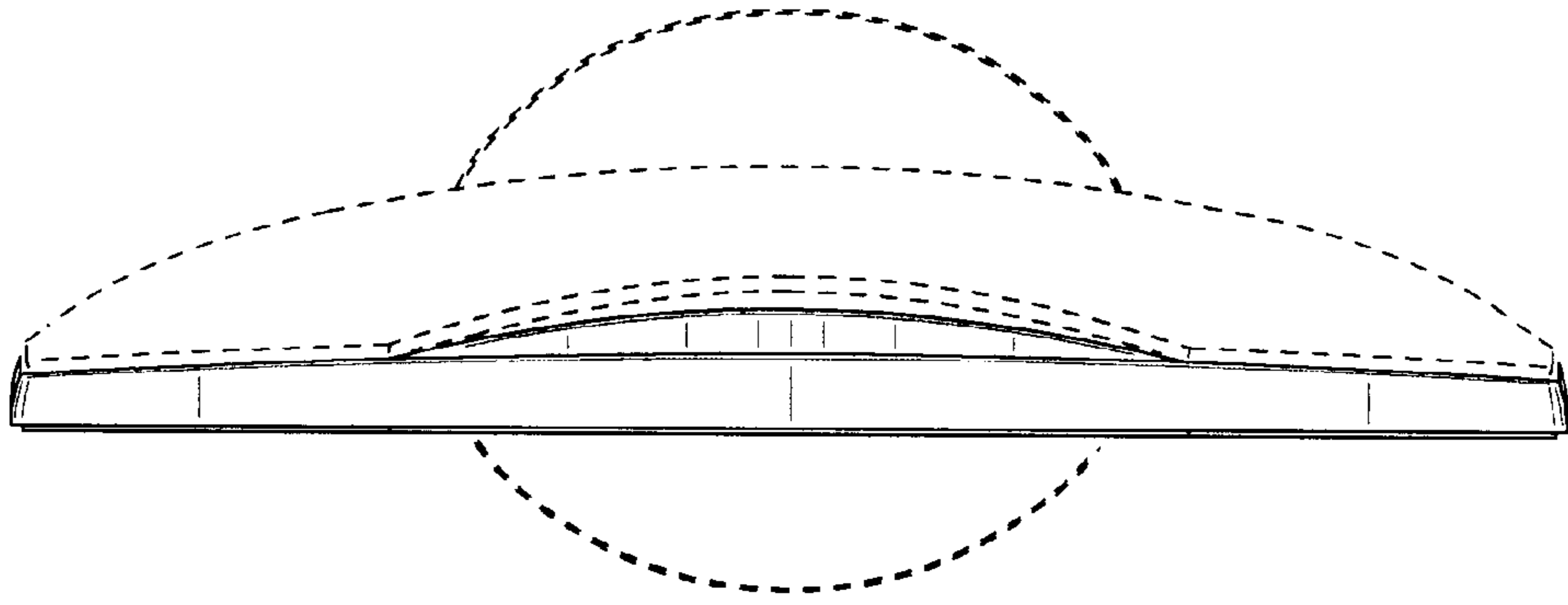


FIG. 6

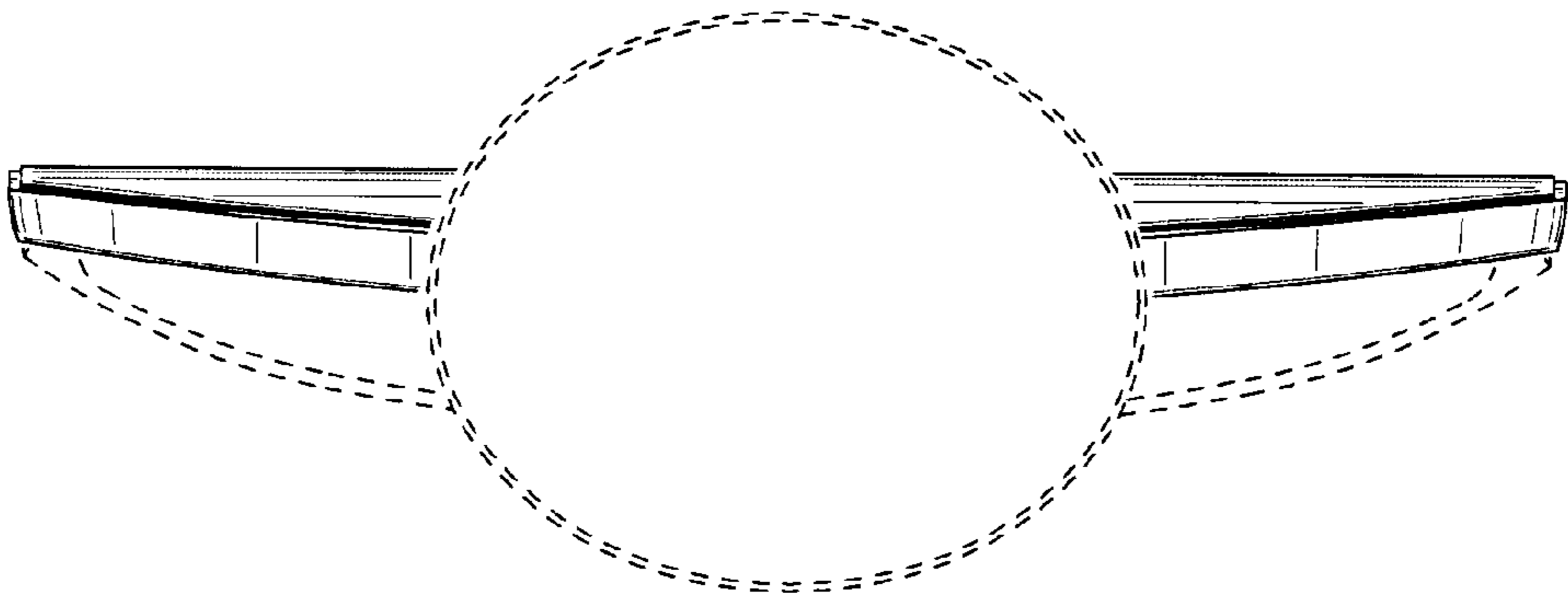


FIG. 7