



US00D487427S

(12) **United States Design Patent**  
**Franks, Jr.**

(10) **Patent No.:** **US D487,427 S**  
(45) **Date of Patent:** **\*\* Mar. 9, 2004**

(54) **GROUND BLOCK**

(75) Inventor: **George J. Franks, Jr.**, Inverness, IL (US)  
(73) Assignee: **Senior Industries, Inc.**, Wood Dale, IL (US)  
(\*\*) Term: **14 Years**

(21) Appl. No.: **29/175,063**  
(22) Filed: **Jan. 29, 2003**

(51) **LOC (7) Cl.** ..... **13-02**  
(52) **U.S. Cl.** ..... **D13/133; D8/354**  
(58) **Field of Search** ..... **D13/133, 154; D8/354; 439/92, 95, 96, 97, 98, 99, 101, 108; 379/413.03; 174/51**

(56) **References Cited**

**U.S. PATENT DOCUMENTS**

63,848 A 4/1867 Bruso  
106,900 A 8/1870 Wharton  
759,414 A 5/1904 Bishop

(List continued on next page.)

**FOREIGN PATENT DOCUMENTS**

CA 603254 8/1960  
CA 968431 5/1975  
DE 1132999 7/1962  
DE 2108227 9/1972  
DE 2741791 7/1978  
DE 2713247 9/1978  
DE 147294 3/1981  
FR 1126748 11/1956  
GB 1085499 10/1967  
GB 1159264 \* 7/1969  
GB 2195837 A \* 4/1988  
SE 161707 \* 12/1957

**OTHER PUBLICATIONS**

Arthur Trauffer, "Snap-On Ground Clamp", *Radio & Television News*, Feb. 1954 (1 page).  
Senior Industries, Inc. product literature entitled "Meter Box Ground Clamp" (date prior to Nov. 27, 2001) (1 page).

*Primary Examiner*—Philip S. Hyder  
(74) *Attorney, Agent, or Firm*—Fitch, Even, Tabin & Flannery

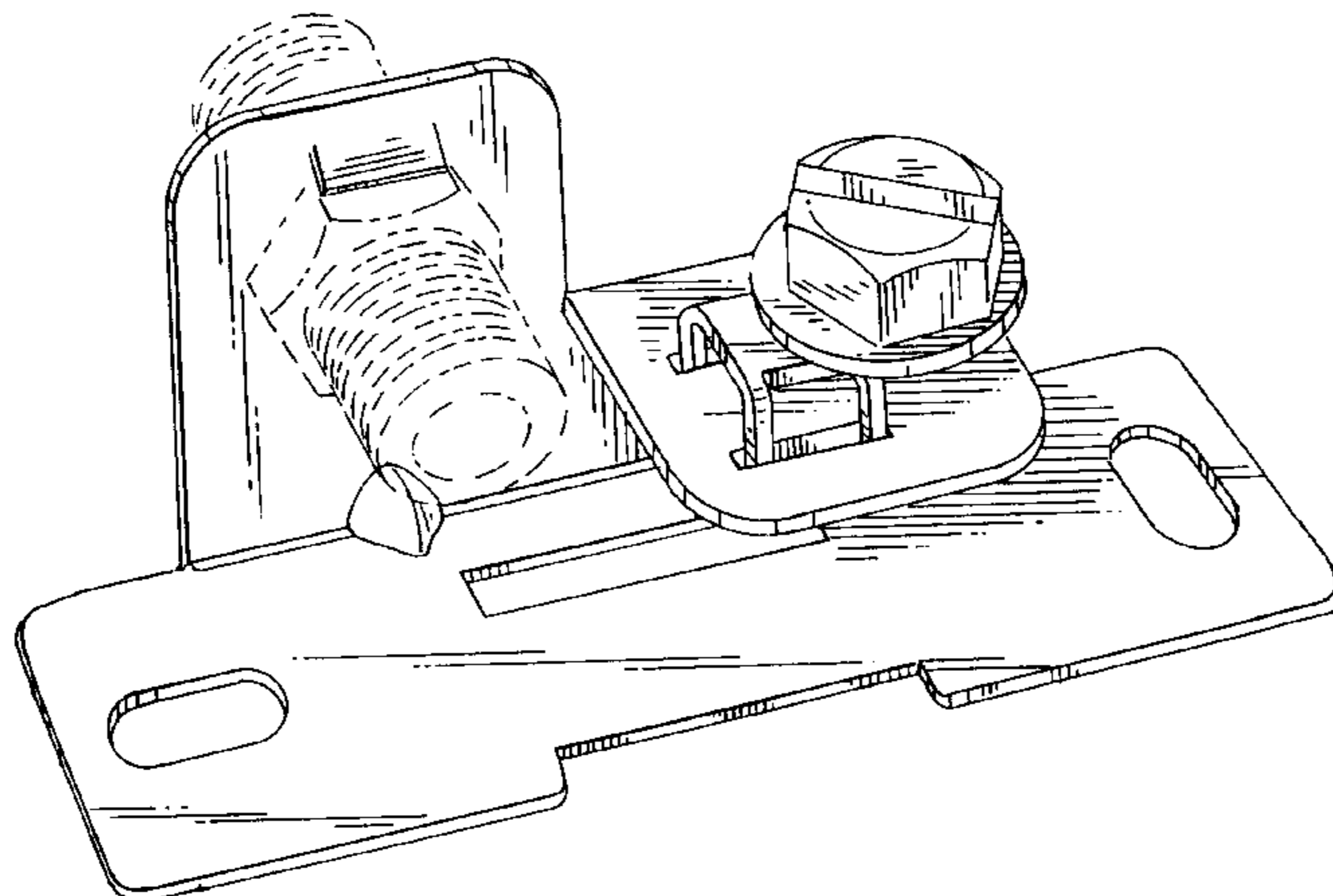
(57) **CLAIM**

I claim the ornamental design for a ground block, as shown and described.

**DESCRIPTION**

FIG. 1 is a perspective view of a ground block according to my new design, the broken lines of which are for illustrative purposes only and form no part of the claimed design; FIG. 2 is a front elevational view of the ground block of FIG. 1; FIG. 3 is a plan view of the ground block of FIG. 1; FIG. 4 is a right side elevational view of the ground block of FIG. 1; FIG. 5 is a rear elevational view of the ground block of FIG. 1; FIG. 6 is a bottom view of the ground block of FIG. 1; FIG. 7 is a left side elevational view of the ground block of FIG. 1; FIG. 8 is a perspective view of an alternative ground block according to my new design, the broken lines of which are for illustrative purposes only and form no part of the claimed design; FIG. 9 is a front elevational view of the ground block of FIG. 8; FIG. 10 is a plan view of the ground block of FIG. 8; FIG. 11 is a right side elevational view of the ground block of FIG. 8; FIG. 12 is a rear elevational view of the ground block of FIG. 8; FIG. 13 is a bottom view of the ground block of FIG. 8; and, FIG. 14 is a left side elevational view of the ground block of FIG. 8.

**1 Claim, 6 Drawing Sheets**



U.S. PATENT DOCUMENTS

926,030 A 6/1909 Stout  
 933,311 A 9/1909 Klein  
 982,995 A 1/1911 Rogers  
 1,205,374 A 11/1916 Marcus  
 1,210,764 A 1/1917 Cole  
 1,349,225 A 8/1920 Rosenblum  
 1,408,301 A 2/1922 Jeter  
 1,486,560 A 3/1924 Becker  
 1,540,249 A 6/1925 Brown  
 1,552,932 A 9/1925 Kessler  
 1,597,169 A 8/1926 Taylor  
 1,652,191 A \* 12/1927 Withers  
 1,675,163 A \* 6/1928 Colburn  
 1,690,220 A \* 11/1928 Fahnestock  
 1,727,219 A \* 9/1929 Scharf et al.  
 1,794,976 A \* 3/1931 Mueller  
 1,810,901 A \* 6/1931 Bormann et al.  
 1,813,448 A \* 7/1931 Horton  
 1,910,022 A \* 5/1933 Legg  
 1,941,905 A \* 1/1934 Mair  
 1,986,028 A \* 1/1935 Terry  
 1,997,091 A \* 4/1935 Usselman  
 2,040,438 A \* 5/1936 Johnson  
 2,107,835 A \* 2/1938 Pierce  
 2,260,136 A \* 10/1941 Bergan  
 2,270,807 A 1/1942 Johnson  
 2,299,146 A 10/1942 Hubbard  
 2,420,895 A 5/1947 Merriman  
 2,423,627 A 7/1947 Tinnerman  
 2,458,413 A 1/1949 Pennell  
 2,529,153 A 11/1950 Hain  
 2,532,068 A 11/1950 Larsen  
 2,547,932 A 4/1951 Downs, Jr.  
 2,632,068 A 3/1953 Froebel et al.  
 2,710,381 A 6/1955 Monson  
 2,733,492 A 2/1956 Copell  
 2,811,704 A 10/1957 Newman  
 2,831,222 A 4/1958 Anderson  
 2,948,940 A 8/1960 Degener  
 2,970,287 A 1/1961 Gill  
 3,021,581 A 2/1962 Cook et al.  
 D197,417 S 1/1964 Kirkpatrick  
 3,129,994 A 4/1964 Harmon et al.  
 3,166,632 A 1/1965 Woodman  
 3,188,602 A 6/1965 Toedtman et al.  
 3,260,986 A 7/1966 Staffel  
 3,363,219 A 1/1968 Hubbard et al.  
 3,363,310 A 1/1968 Stinson, Jr.  
 3,435,126 A 3/1969 Hamilton  
 3,528,050 A 9/1970 Hindenburg  
 3,568,128 A 3/1971 Taylor  
 3,694,794 A 9/1972 Hein  
 3,760,341 A 9/1973 Grad  
 3,781,757 A 12/1973 Barnes  
 3,850,490 A 11/1974 Zehr  
 3,914,001 A 10/1975 Nelson et al.  
 4,014,504 A 3/1977 Sachs  
 4,325,598 A 4/1982 Leonardo  
 4,355,852 A 10/1982 Bachle  
 4,440,374 A 4/1984 Achille  
 4,461,521 A 7/1984 Sachs  
 4,476,759 A 10/1984 Aderneck  
 4,526,428 A 7/1985 Sachs  
 4,529,261 A 7/1985 Stenz et al.  
 4,538,879 A 9/1985 Wagener  
 4,591,229 A 5/1986 Sachs  
 4,626,051 A 12/1986 Franks, Jr.  
 4,664,469 A 5/1987 Sachs  
 4,742,981 A 5/1988 Converse  
 D296,545 S 7/1988 Sachs

D296,546 S 7/1988 Sachs  
 D296,547 S 7/1988 Sachs  
 D297,410 S \* 8/1988 Sachs ..... D8/356  
 4,768,963 A 9/1988 Barron  
 4,776,808 A 10/1988 Davidson  
 4,778,413 A 10/1988 Saarinen  
 4,780,096 A 10/1988 Franks, Jr.  
 4,784,621 A 11/1988 Auclair  
 4,828,504 A 5/1989 Franks, Jr.  
 4,884,976 A 12/1989 Franks, Jr.  
 4,904,193 A 2/1990 Graves  
 4,917,615 A 4/1990 Franks, Jr.  
 4,925,395 A 5/1990 Franks, Jr.  
 D312,038 S 11/1990 Sachs  
 4,973,259 A 11/1990 Sachs  
 D313,392 S 1/1991 Sachs  
 4,993,960 A 2/1991 Franks, Jr.  
 5,006,074 A 4/1991 Franks, Jr.  
 5,015,205 A 5/1991 Franks, Jr.  
 D323,973 S 2/1992 Sachs  
 5,114,354 A 5/1992 Franks, Jr.  
 D329,014 S 9/1992 Sachs  
 D335,079 S 4/1993 Sachs  
 D340,226 S 10/1993 Sachs  
 D343,385 S 1/1994 Sachs  
 D344,886 S 3/1994 Sachs ..... D8/373  
 D351,825 S 10/1994 Sachs ..... D13/154  
 5,370,345 A 12/1994 Condon  
 D357,400 S 4/1995 Sachs ..... D8/356  
 D362,174 S 9/1995 Sachs ..... D8/354  
 D364,332 S \* 11/1995 Sachs ..... D8/354  
 D367,259 S 2/1996 Sachs ..... D8/133  
 D369,780 S 5/1996 Sachs ..... D8/133  
 5,681,191 A \* 10/1997 Robicheau et al. .... 439/877  
 5,746,609 A 5/1998 Franks, Jr. .... 439/92  
 D395,997 S \* 7/1998 Coll et al. .... D8/354  
 D406,813 S 3/1999 Coll et al.  
 5,928,006 A \* 7/1999 Franks, Jr. .... 439/92  
 6,252,166 B1 \* 6/2001 Leschinger ..... 174/51  
 6,283,771 B1 9/2001 Mitchell et al.  
 D459,302 S \* 6/2002 Malin ..... D13/133  
 D459,304 S \* 6/2002 Malin ..... D13/133  
 D459,305 S \* 6/2002 Malin ..... D13/133  
 D459,306 S \* 6/2002 Malin ..... D13/133

OTHER PUBLICATIONS

Senior Industries, Inc. product literature entitled "2 New Ground Clamp Systems" (date prior to Nov. 27, 2001) (1 page).  
 Senior Industries, Inc. product literature entitled "Structure Ground Clamps" (date prior to Nov. 27, 2001) (1 page).  
 Senior Industries, Inc. product literature entitled "Bonding Ribbon Clamps" (date prior to Nov. 27, 2001) (1 page).  
 Senior Industries, Inc. product literature entitled "Grounding Connectors" (date prior to Nov. 27, 2001) (1 page).  
 Senior Industries, Inc. product literature for clamps and connectors (date prior to Nov. 27, 2001) (2 pages).  
 Senior Industries, Inc. product literature entitled "Universal Ground Clamp" (date prior to Nov. 27, 2001) (1 page).  
 Senior Industries, Inc. product literature entitled "Beam Clamp B Strand Ground Clamp, B Ground Wire Clamp" (date prior to Nov. 27, 2001) (1 page).  
 Thomas & Betts product brochure entitled "T&B Telecommunications 40-2000X Grounding Clamp" (1998) (3 pages).  
 Diamond Communication Products, Inc. product brochure entitled "Meter Box Ground Clamp" (date prior to Nov. 27, 2001) (1 page).

Sachs Canada, Inc. product literature entitled “SaxInfo Industry & Product News” (date prior to Nov. 27, 2001) (1 page).

Sachs Canada, Inc. product literature entitled “SC51-1 Application Procedures” (date prior to Nov. 27, 2001) (1 page).

Sachs Communications, Inc. product literature entitled “SC51-1 Application Procedures” (date prior to Nov. 27, 2001) (1 page).

Sachs Canada, Inc. product literature entitled “SC51-2SS Application Procedures” (date prior to Nov. 27, 2001) (1 page).

Sachs Canada, Inc. product brochure entitled “SC51-2SS Application Procedures” (date prior to Nov. 27, 2001) (1 page).

Diamond/Sachs Communications Inc. product literature entitled “SC51CF-81 Application Procedures” (date prior to Nov. 27, 2001) (1 page).

Diamond/Sachs Communications Inc. product literature entitled “SC51CF-85 Application Procedures” (date prior to Nov. 27, 2001) (1 page).

Sachs Communications Inc. product literature entitled “Bonding Connector” (date prior to Nov. 27, 2001) (1 page).

Allied Bolt, Inc. product brochure entitled “Drop Wire Hardware”, (1998) (1 pages).

Allied Bolt, Inc. product literature entitled “Grounding Hardware” (date prior to Nov. 27, 2001) (1 page).

Arris Telewire Supply product literature for Monarch Grounding Products (undated) (1 page).

Holland Electronics LLC product brochure entitled “Connectors” (2002) (1 page).

Sachs Canada Inc. product literature entitled “Grounding & Bonding” (1991) (pp. GB1 and GB2).

Sachs Canada Inc. product literature entitled “Up Grading Additional Outlets” (1991) (1 page).

Sachs Canada Inc. product literature entitled “SC42 Bonding Connector Application” (1991) (1 page).

Sachs Canada Inc. product literature entitled “SaxInfo Industry and Product News” for “SC42-Ground Connector” (date prior to Nov. 27, 2001) (1 page).

Sachs Canada Inc. product literature entitled “Bonding Cable & Equipment at Pedestal” (1991) (1 page).

Sachs Canada Inc. product literature entitled “Bonding Connection at Meter Pan” (1991) (1 page).

Sachs Canada Inc. product brochure entitled “SC51-1 Application Sheet” (date prior to Nov. 27, 2001) (1 page).

Sachs product brochure entitled “SC51-2SS Application Procedures” (date prior to Nov. 27, 2001) (1 page).

Sachs Canada Inc. product literature entitled “SC13 Series Ground Strap Application” (1991) (1 page).

Sachs product literature entitled “SC13BZ-4 Application Procedures” (dated prior to Nov. 27, 2001) (2 pages).

Sachs Canada Inc. product literature entitled “Grounding Customer Drops” (1991) (1 page).

Thomas & Betts “Product Handbook” (1998) (pp. cover page, 66, 67, 71-89, 126, 127, 142, 143).

Sachs Communications Product Book (1995) (pp. cover, 30-33, 40, 41, 44-47, 56-59, 70, 71, 76-79, 82, 83 and 86-90).

Peter J. Schram, *The National Electric Code Handbook*, Third Edition (1984), p. 195, National Fire Protection Association, Quincy, Massachusetts.

\* cited by examiner

FIG. 1

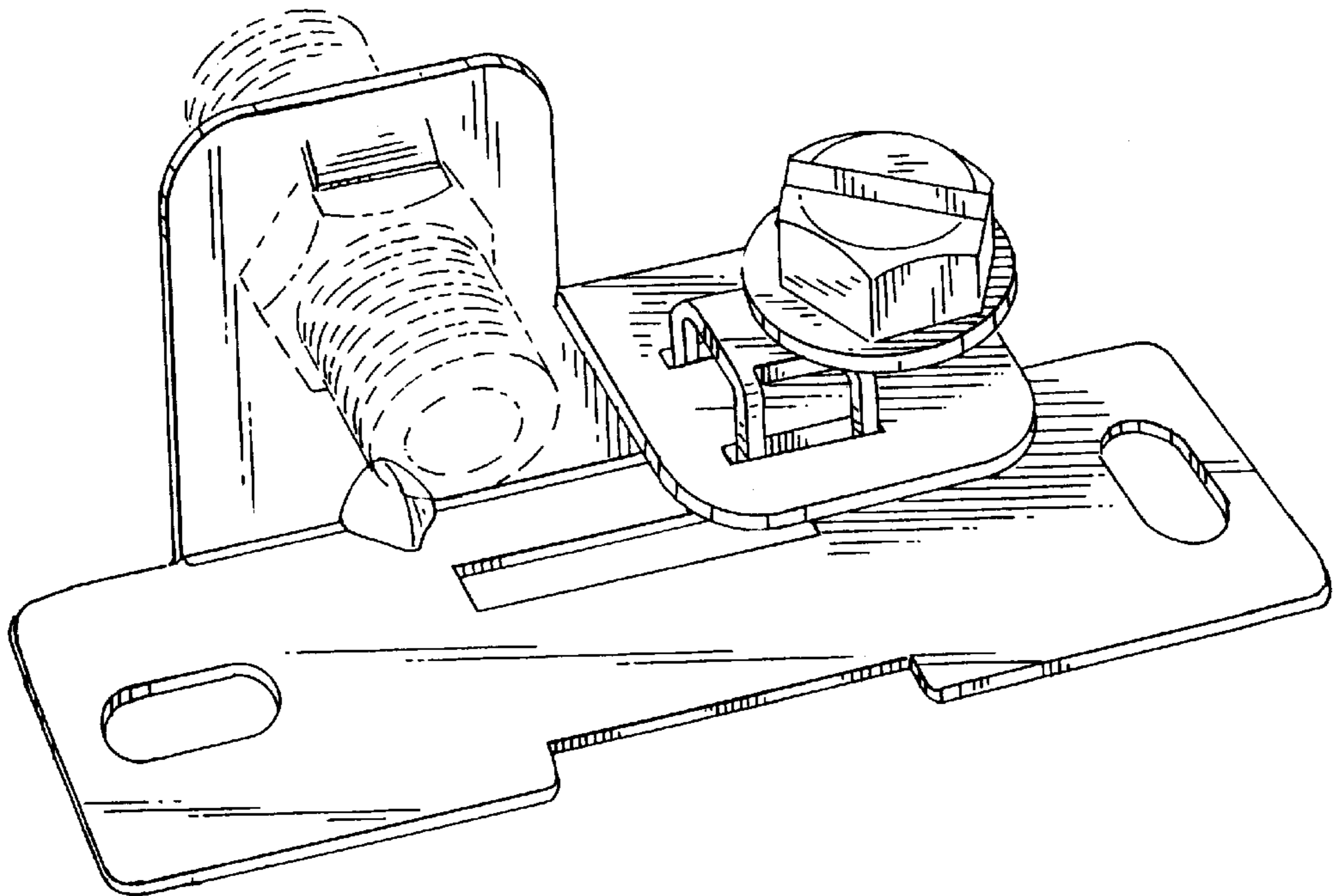


FIG. 2

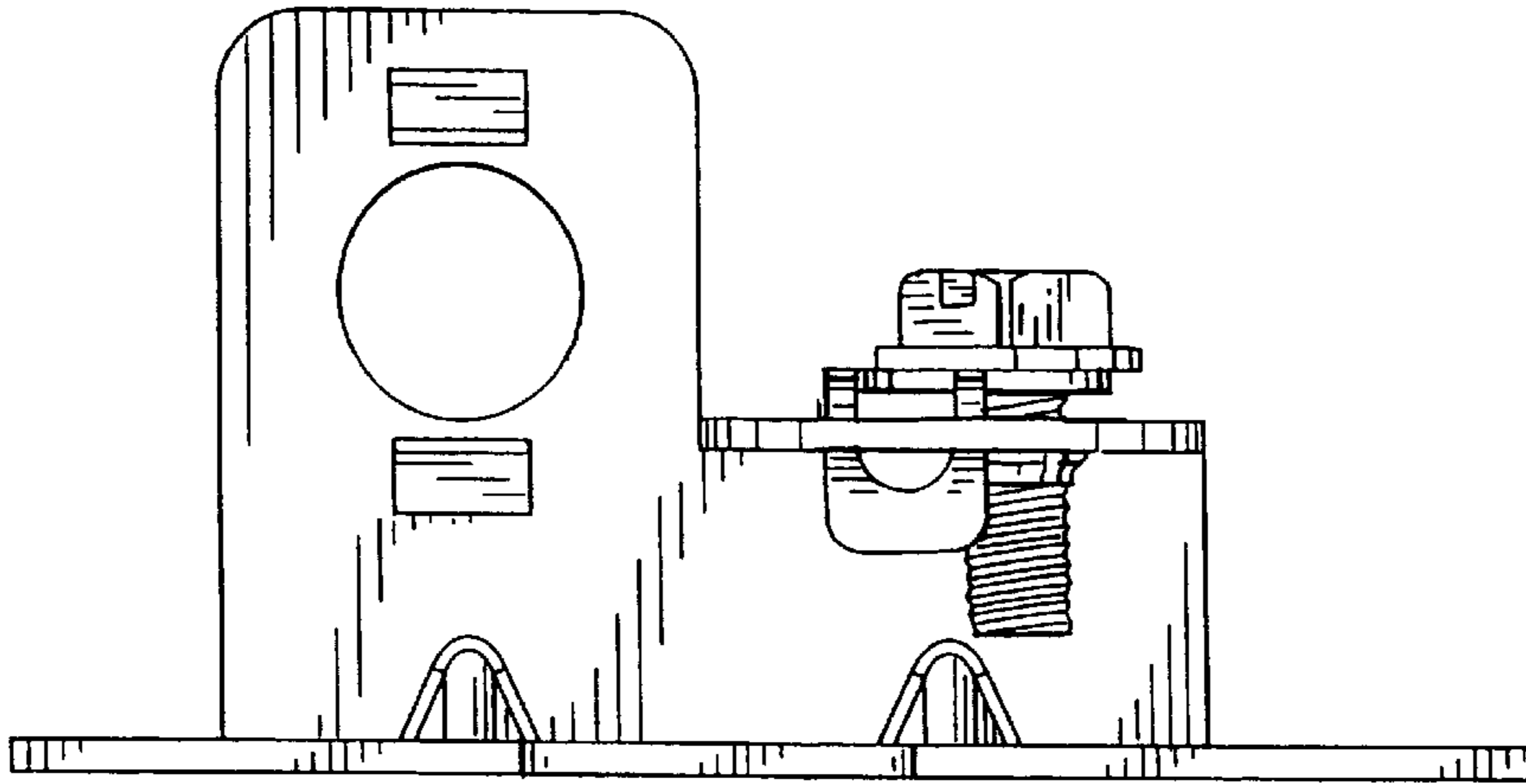


FIG. 3

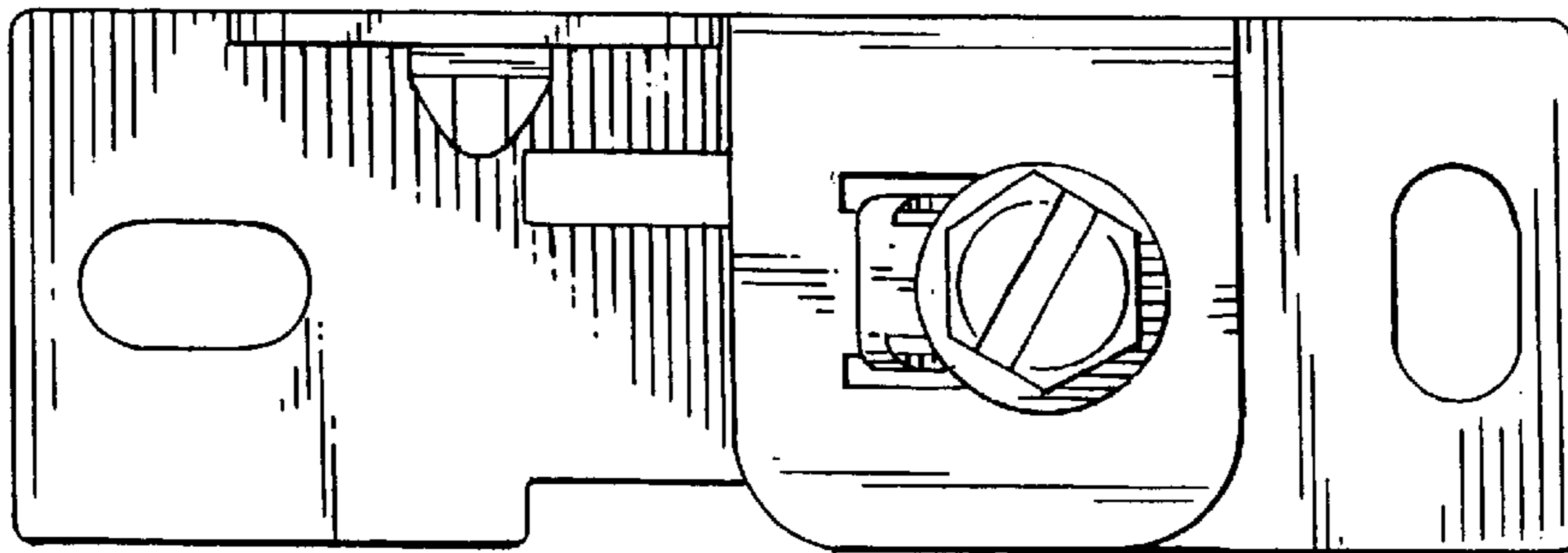


FIG. 4

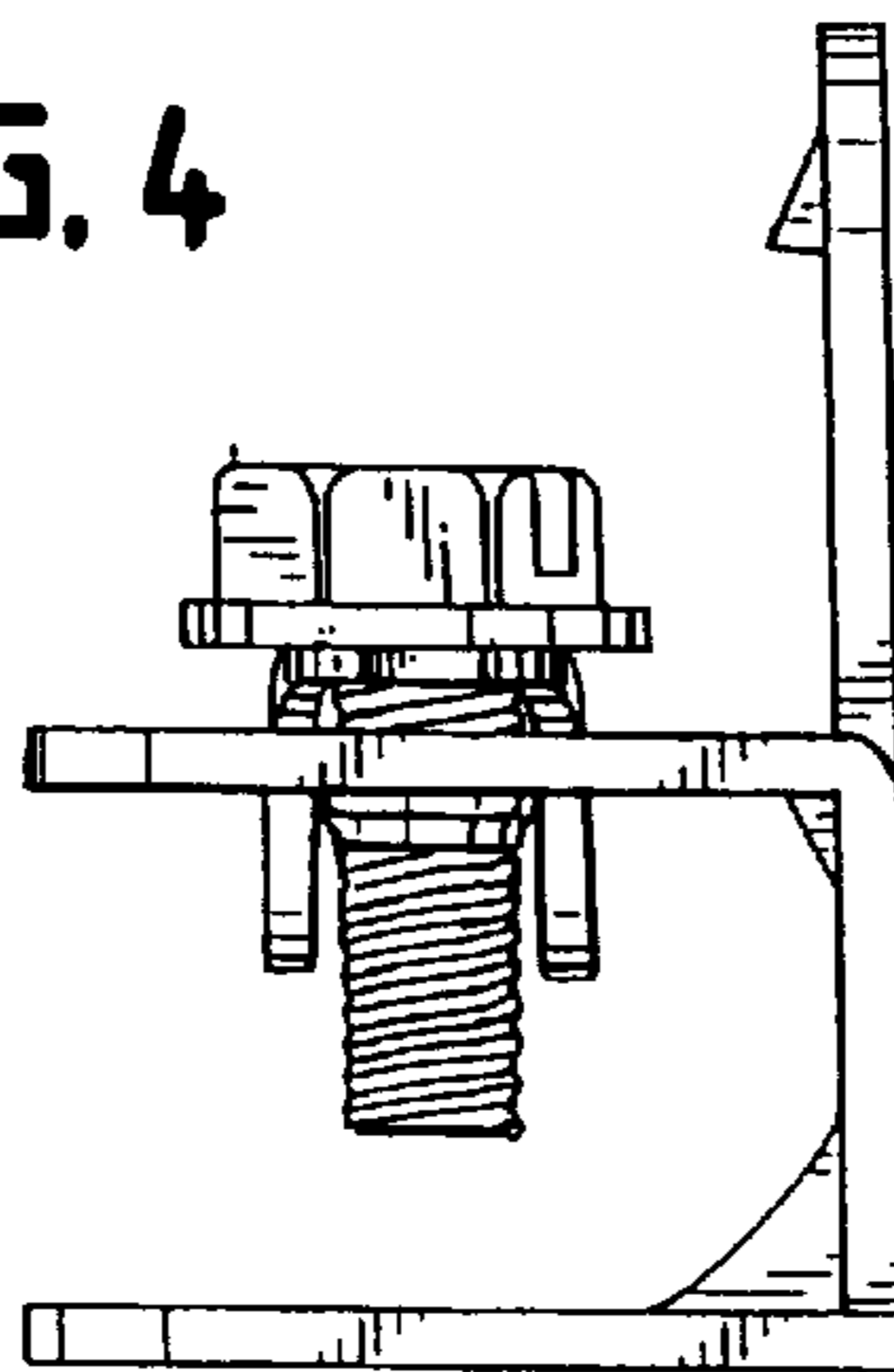


FIG. 5

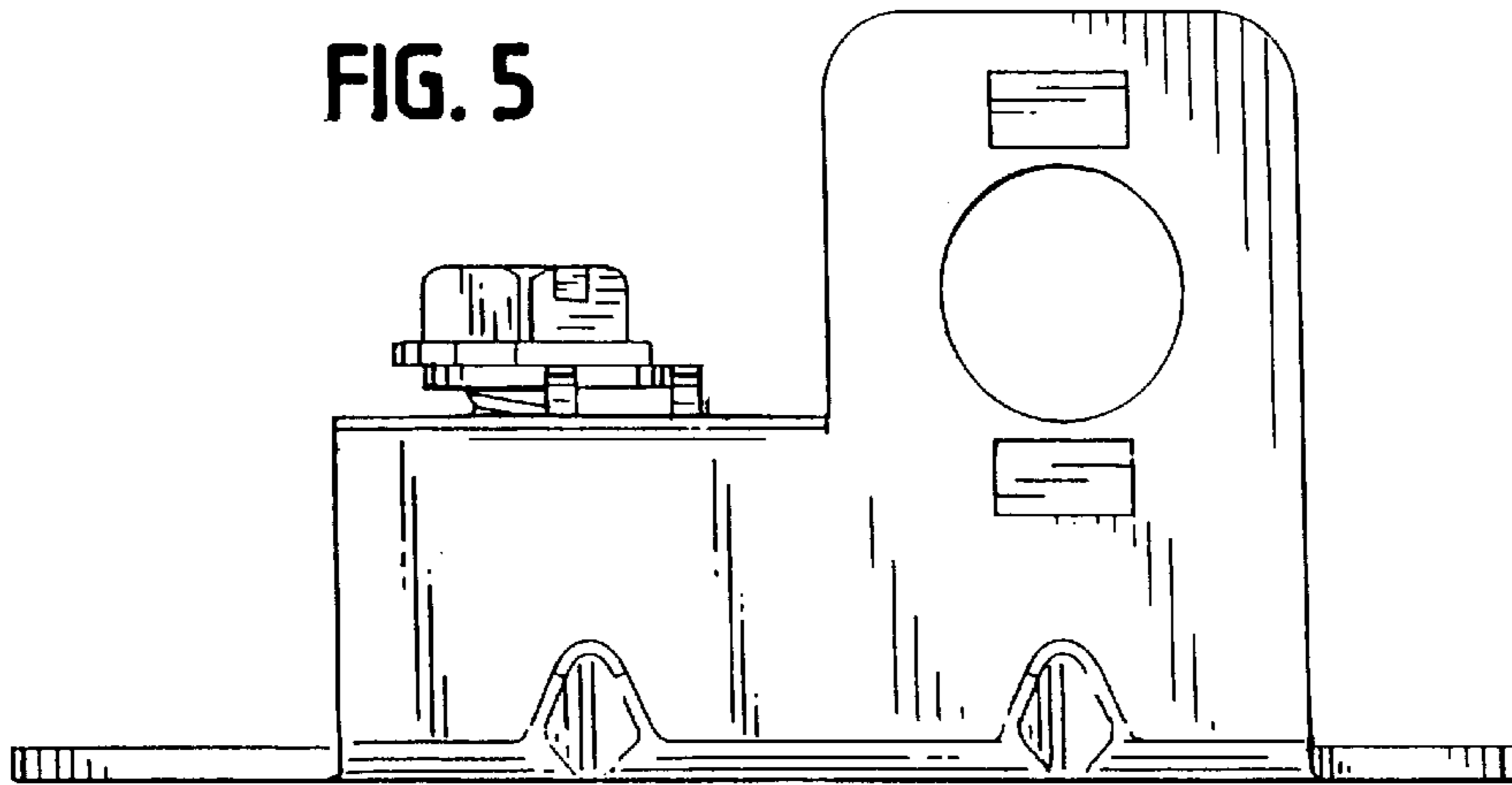


FIG. 6

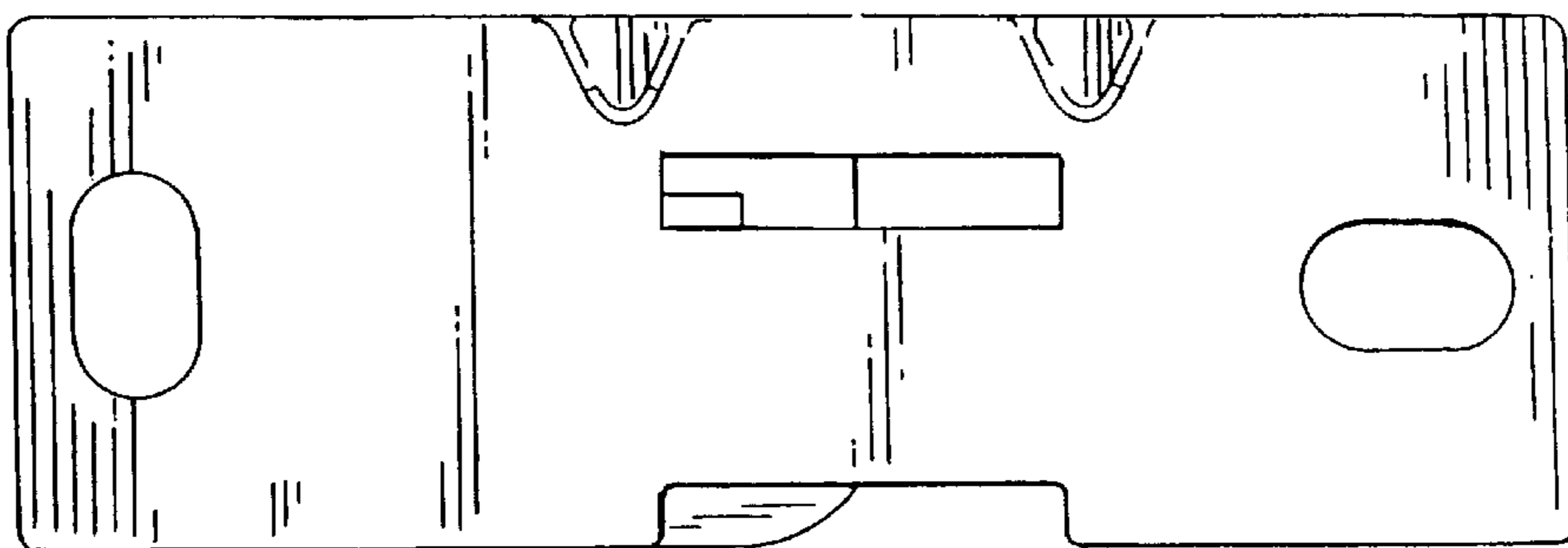
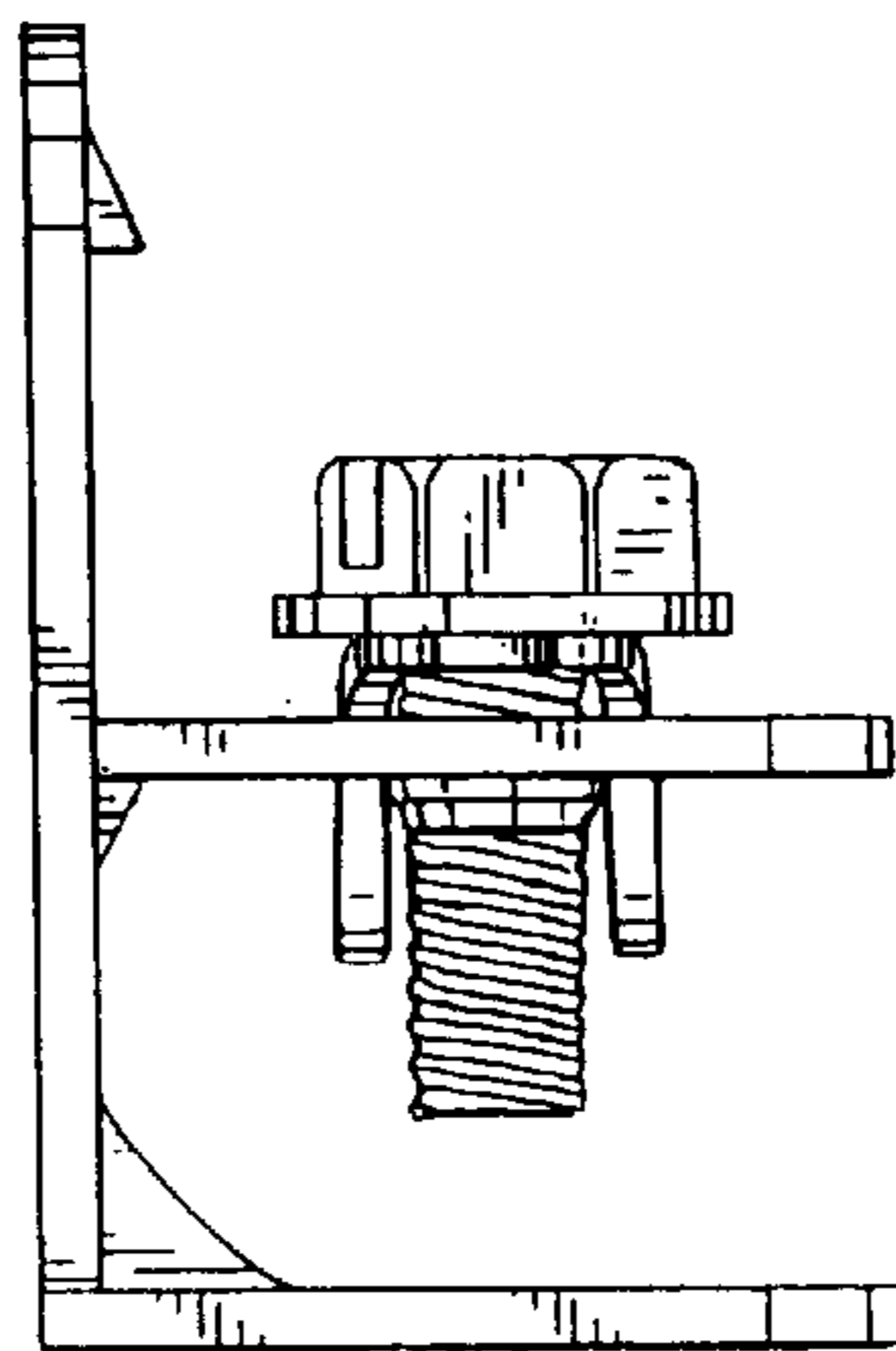


FIG. 7



**FIG. 8**

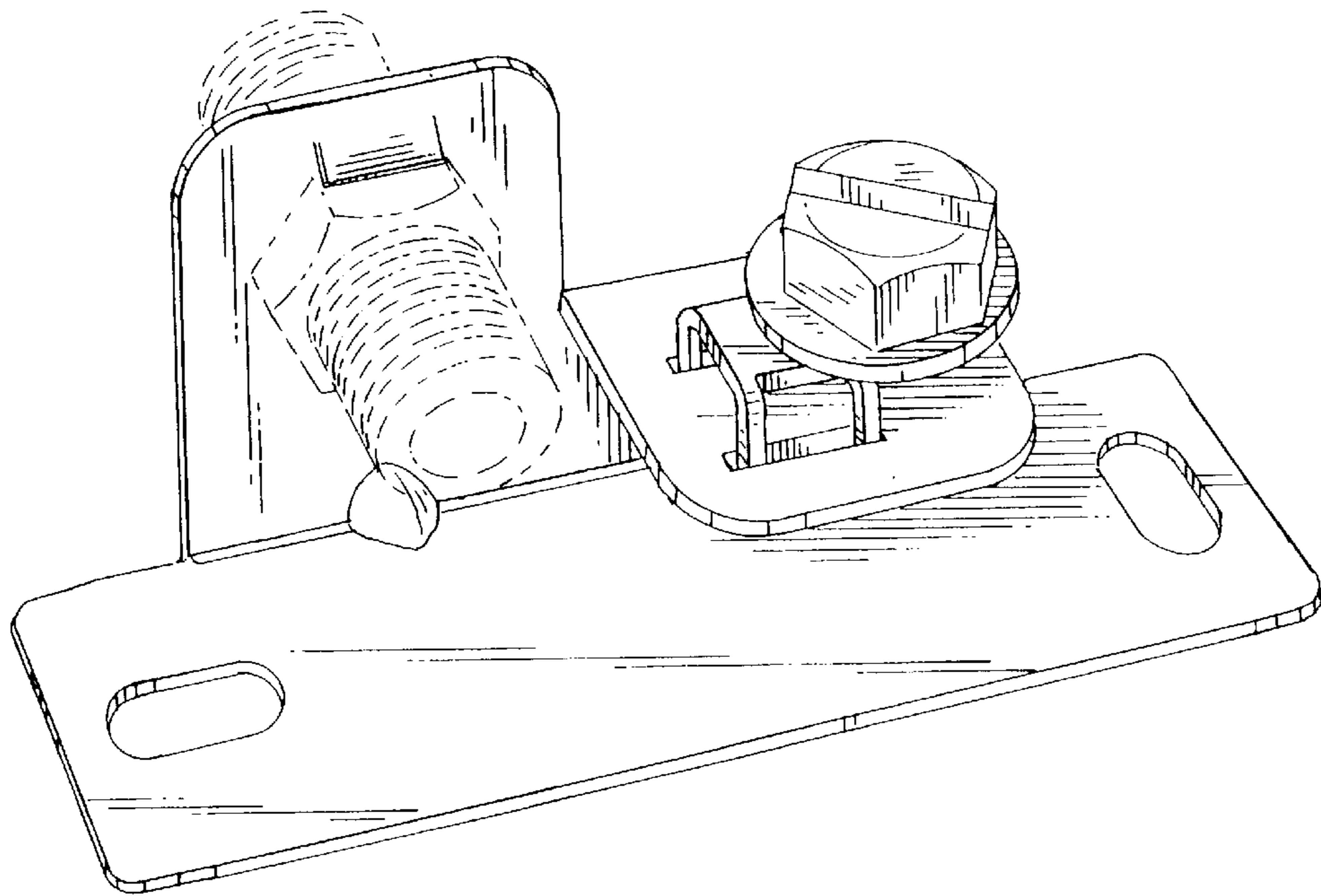


FIG. 9

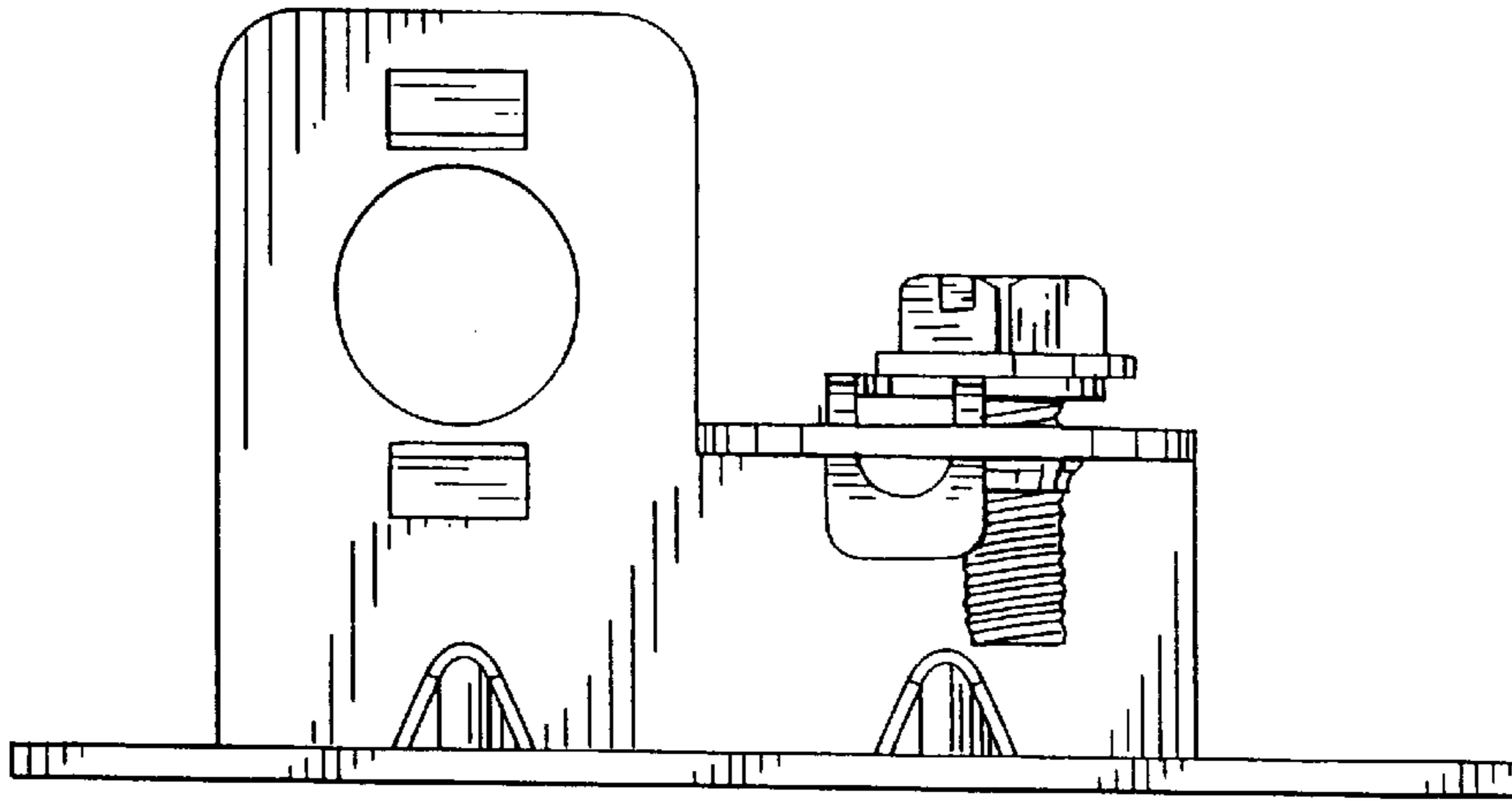


FIG. 10

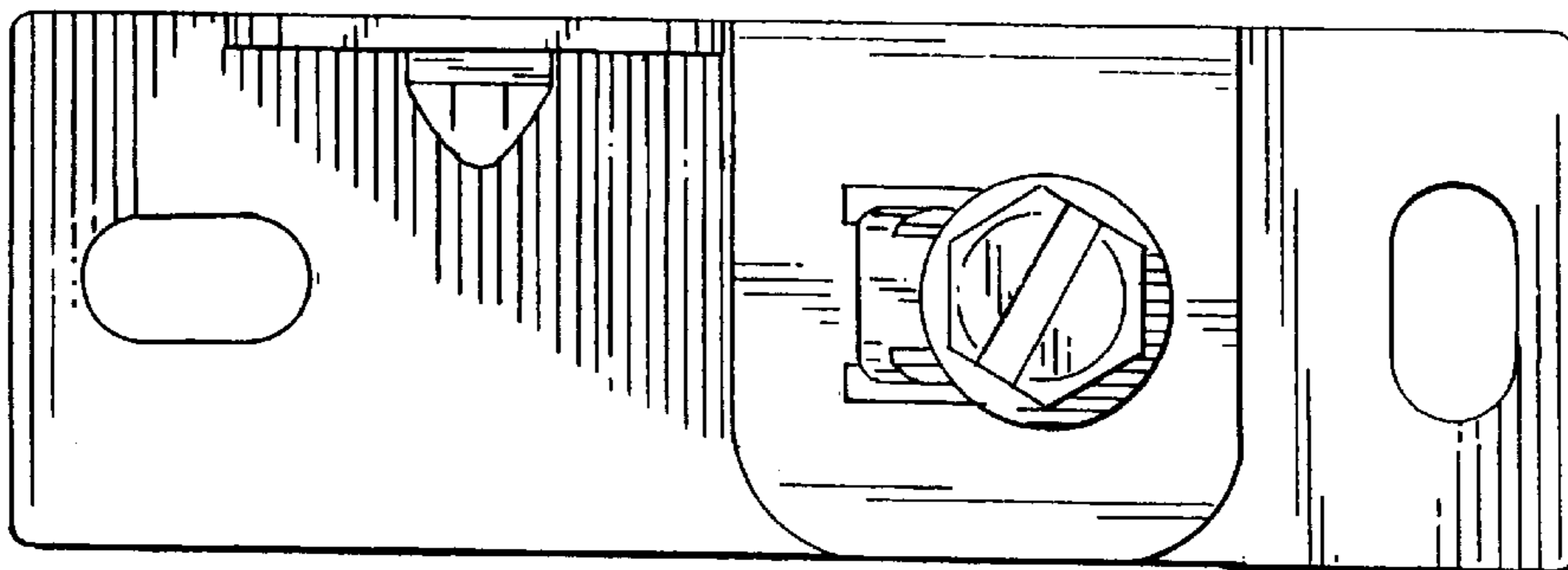


FIG. 11

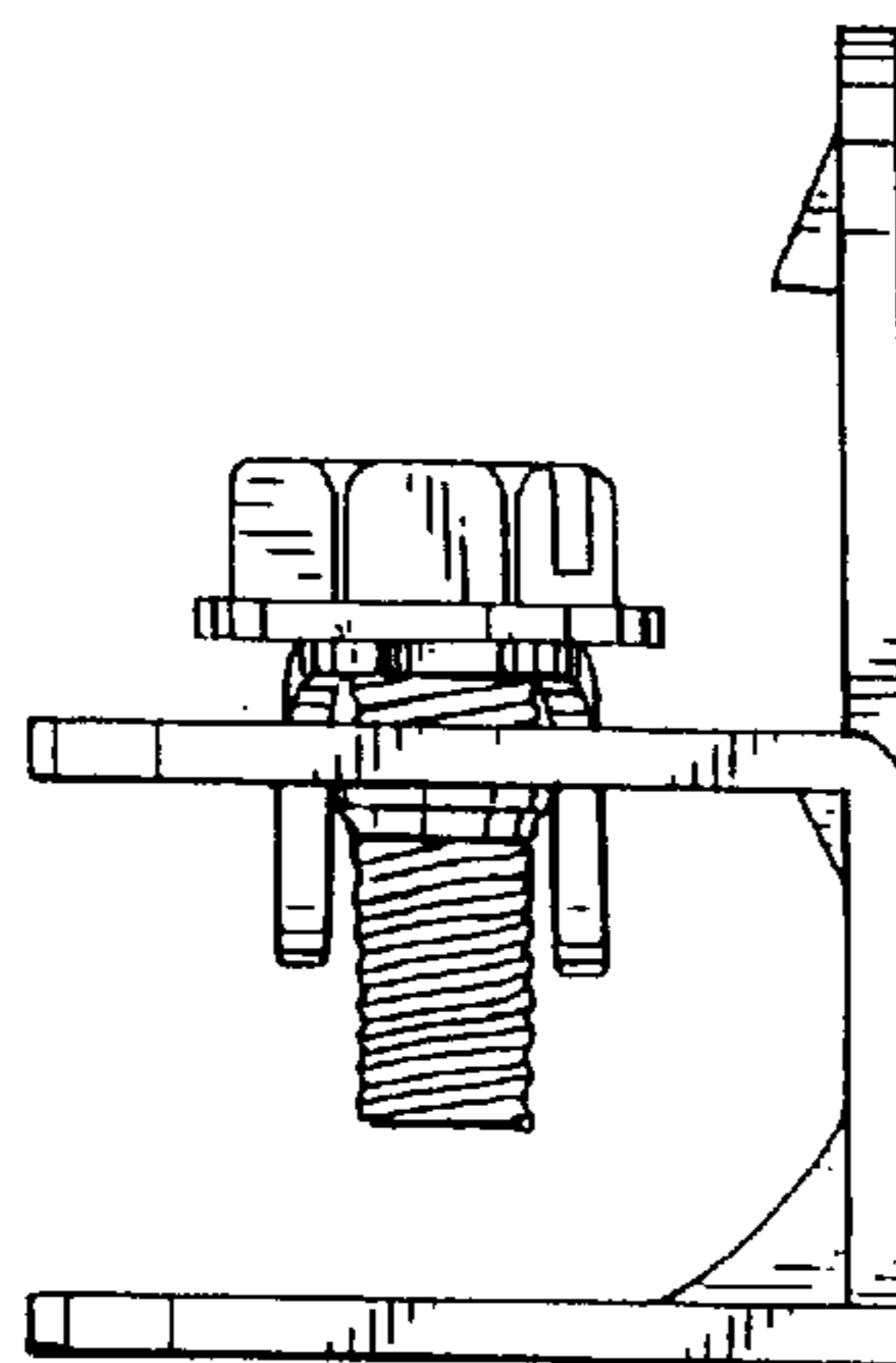




FIG. 12

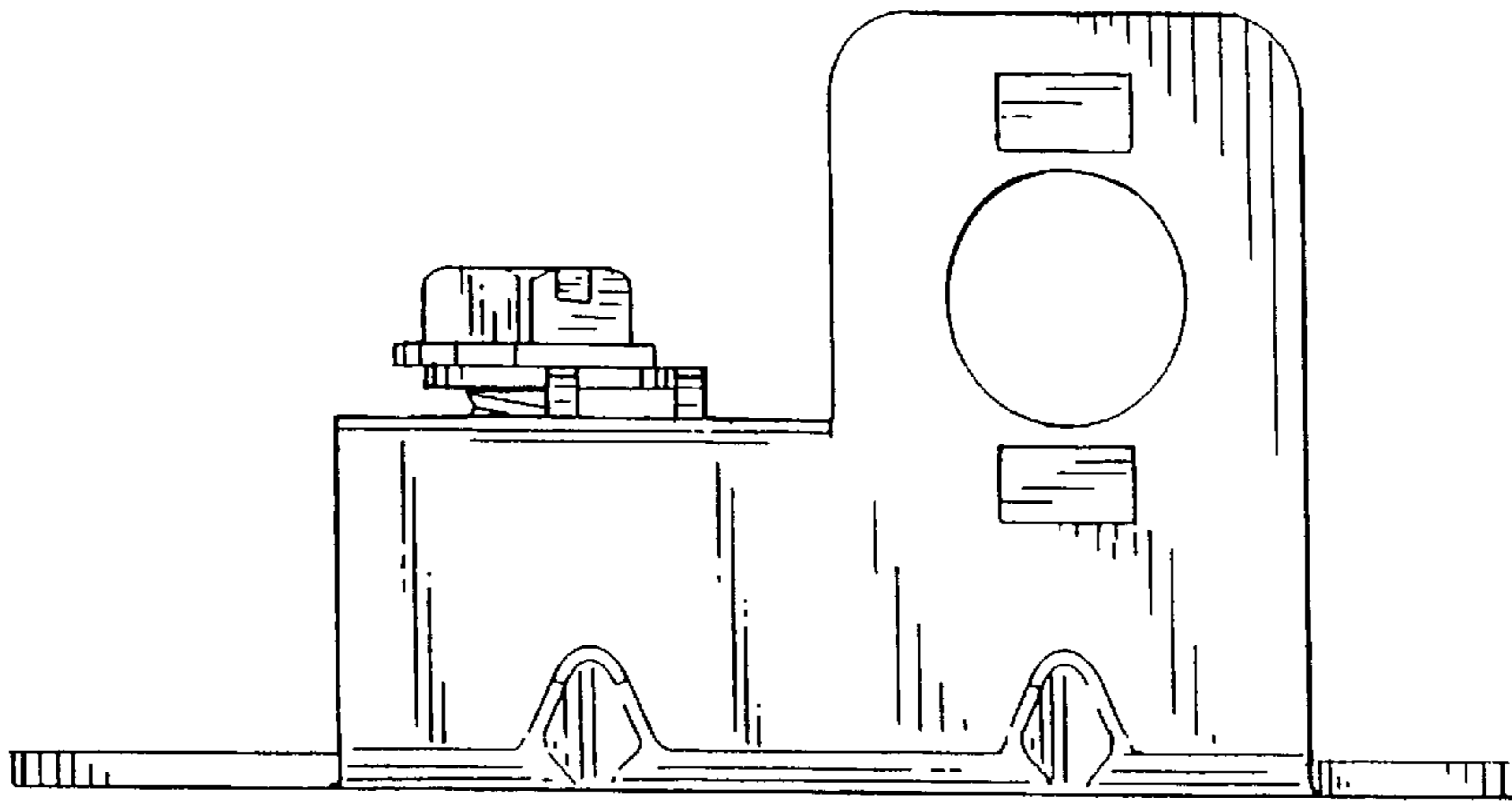


FIG. 13

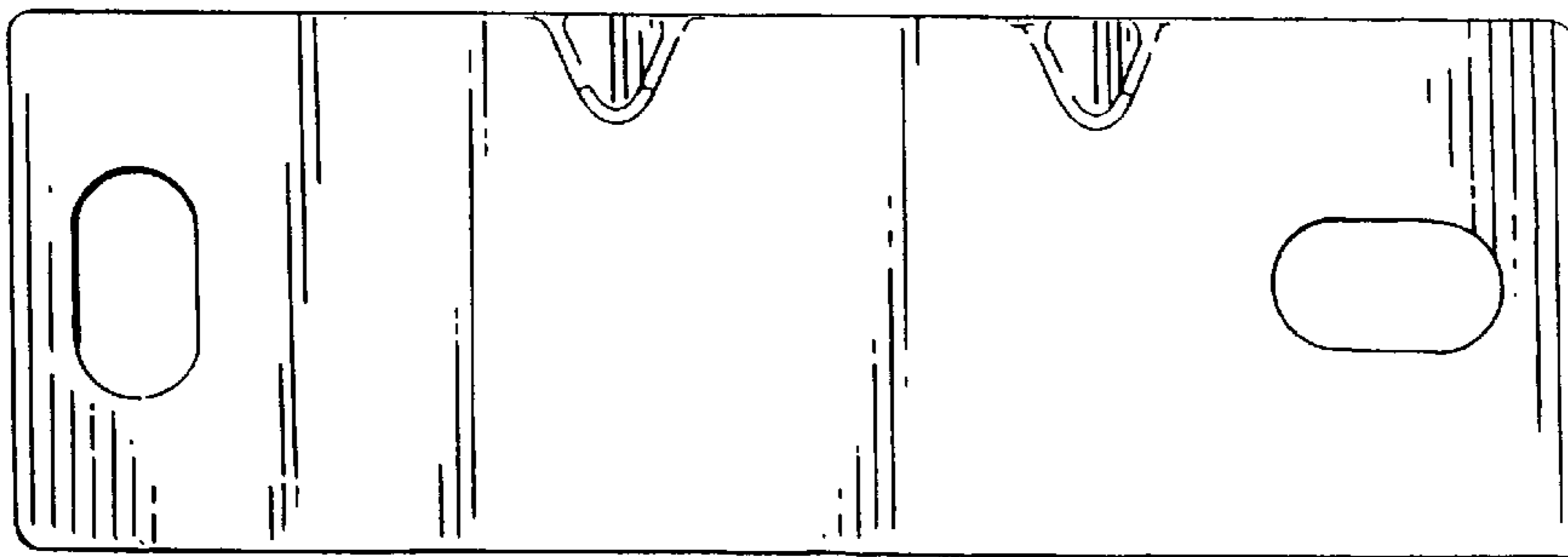


FIG. 14

