



US00D487423S

(12) **United States Design Patent**
Davidson et al.

(10) **Patent No.:** **US D487,423 S**
(45) **Date of Patent:** **** Mar. 9, 2004**

(54) **UPPER END PORTION OF A WATERCRAFT BUNK CUSHION**

(74) *Attorney, Agent, or Firm*—Davis Wright Tremaine LLP; George C. Rondeau, Jr.

(75) **Inventors:** **Edward D. Davidson**, Vashon, WA (US); **Kenneth E. Hey**, Seattle, WA (US)

(57) **CLAIM**

The ornamental design for an upper end portion of a watercraft bunk cushion, as shown and described.

(73) **Assignee:** **Sunstream Corporation**, Kent, WA (US)

DESCRIPTION

(**) **Term:** **14 Years**

FIG. 1 is a front perspective view of an upper end portion of a watercraft bunk cushion showing my our design. FIG. 2 is a left side elevational view thereof. FIG. 3 is a right side elevational view thereof. FIG. 4 is a top plan view thereof. FIG. 5 is a bottom plan view thereof. FIG. 6 is a front side elevational view thereof; and, FIG. 7 is a rear side elevational view thereof. The broken lines are for illustrative purposes only and form no part of the claimed design.

(21) **Appl. No.:** **29/173,621**

(22) **Filed:** **Dec. 31, 2002**

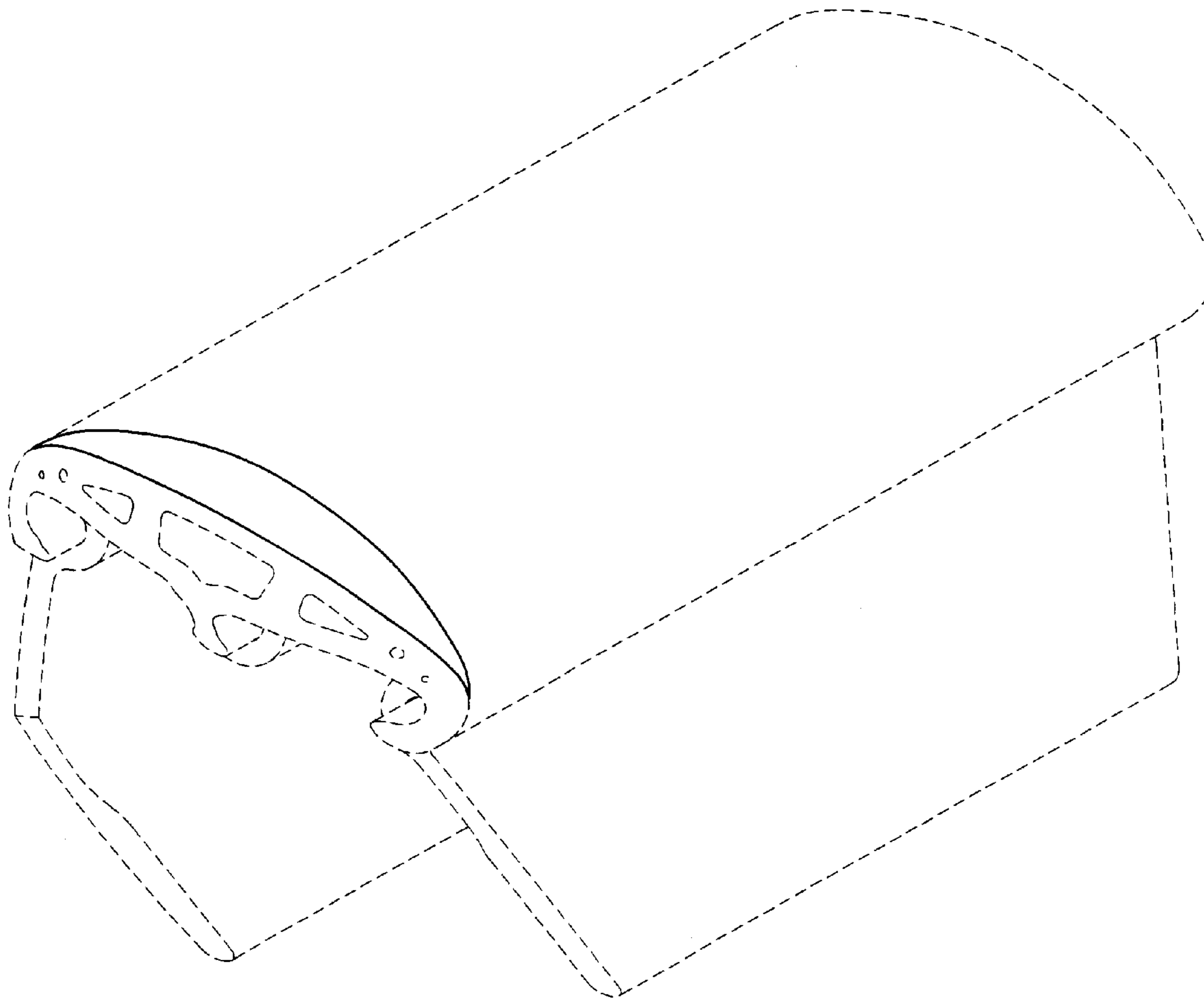
(51) **LOC (7) Cl.** **12-06**

(52) **U.S. Cl.** **D12/318**

(58) **Field of Search** D12/317, 318; D6/601; 5/731, 902, 900.5, 9.1; 114/188

Primary Examiner—Lisa Lichtenstein

1 Claim, 5 Drawing Sheets



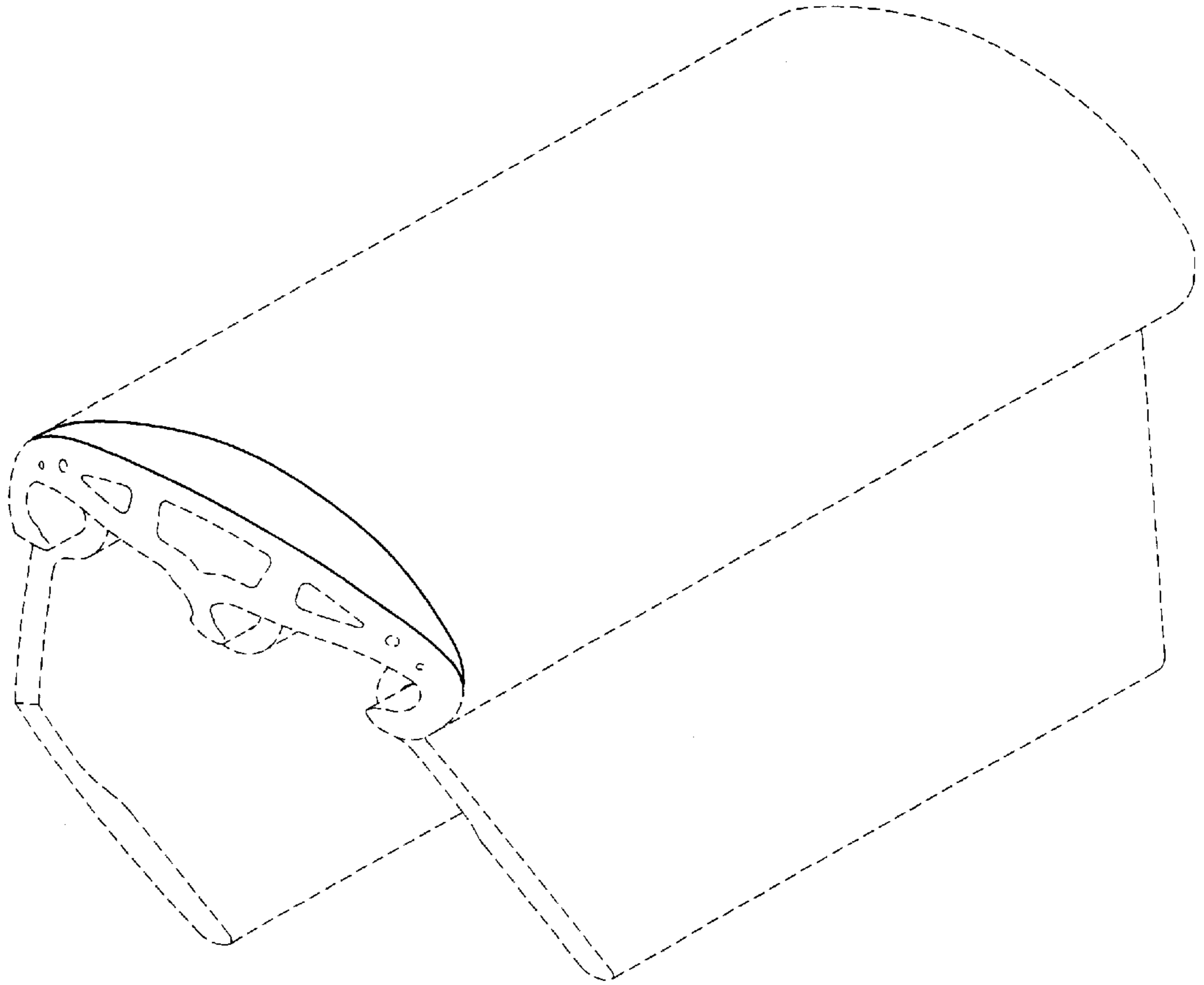


Fig. 1

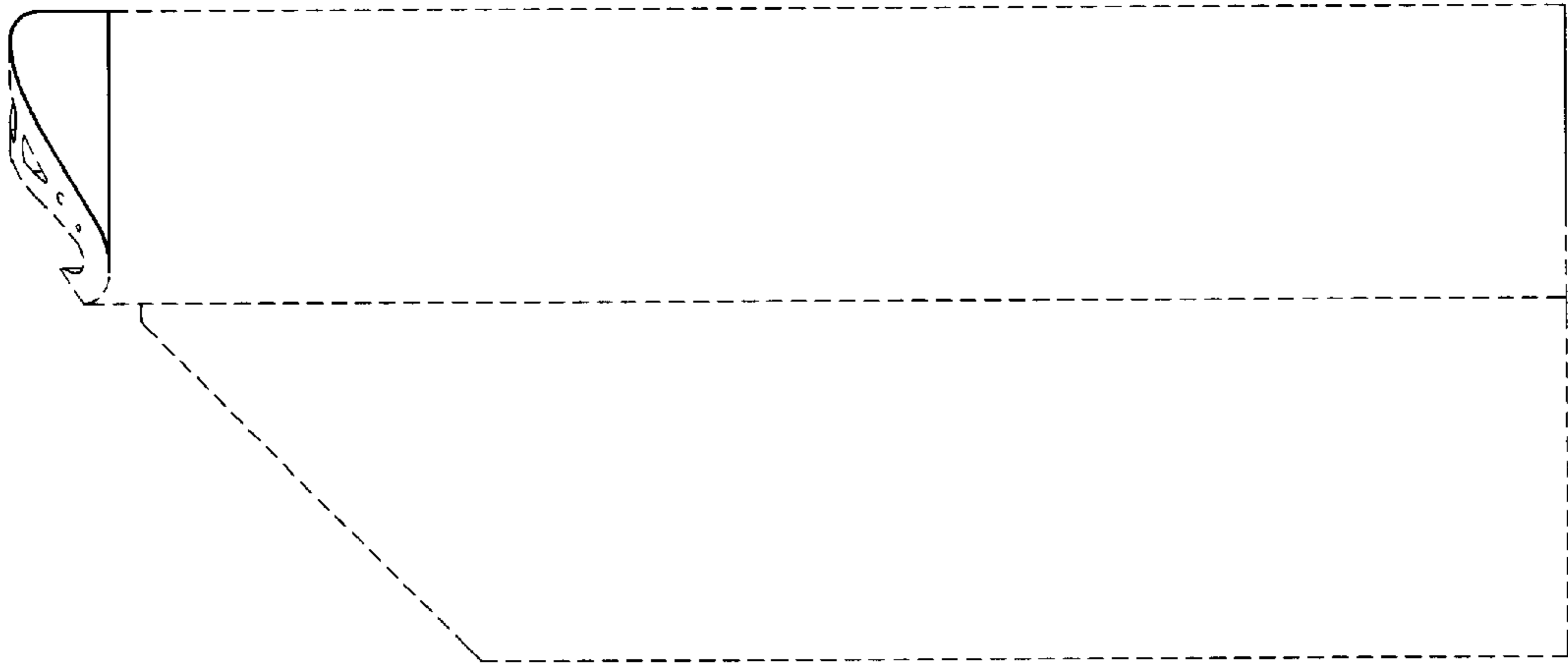


Fig. 2

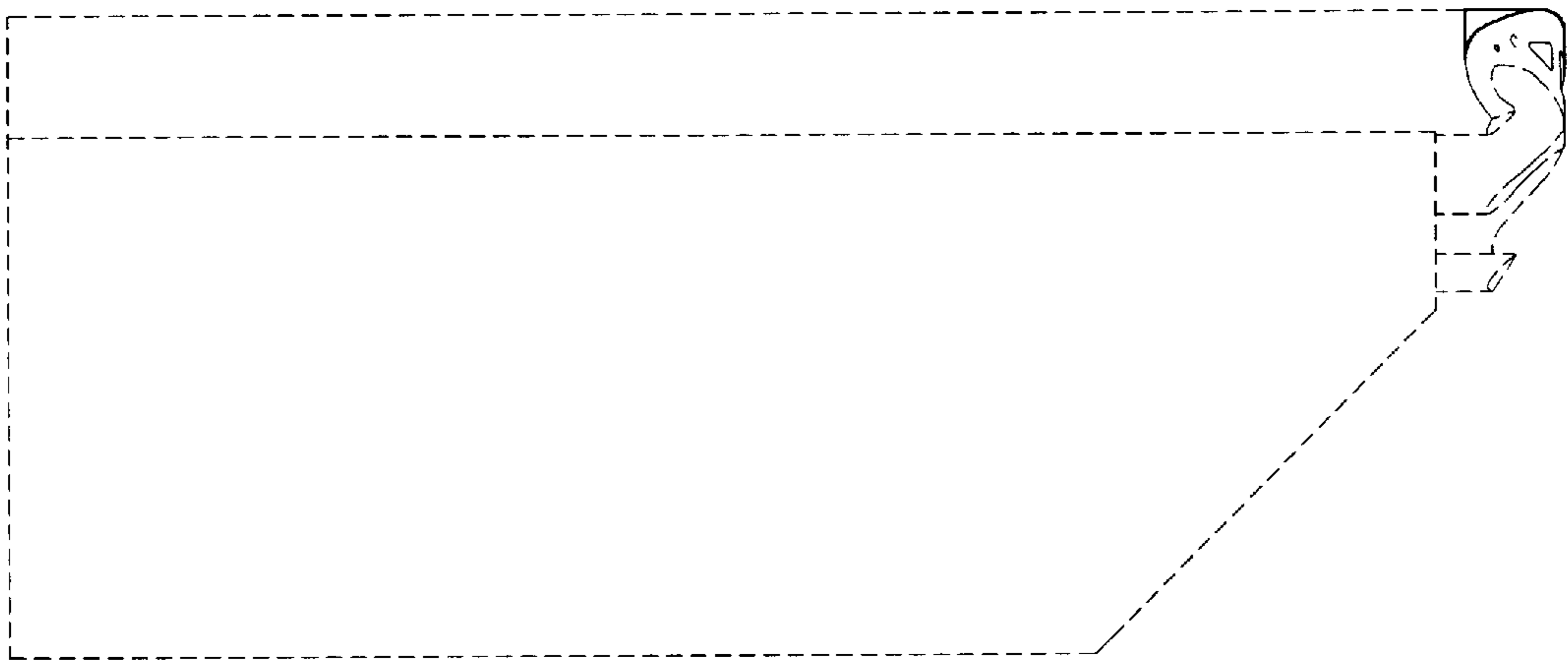


Fig. 3



Fig. 4

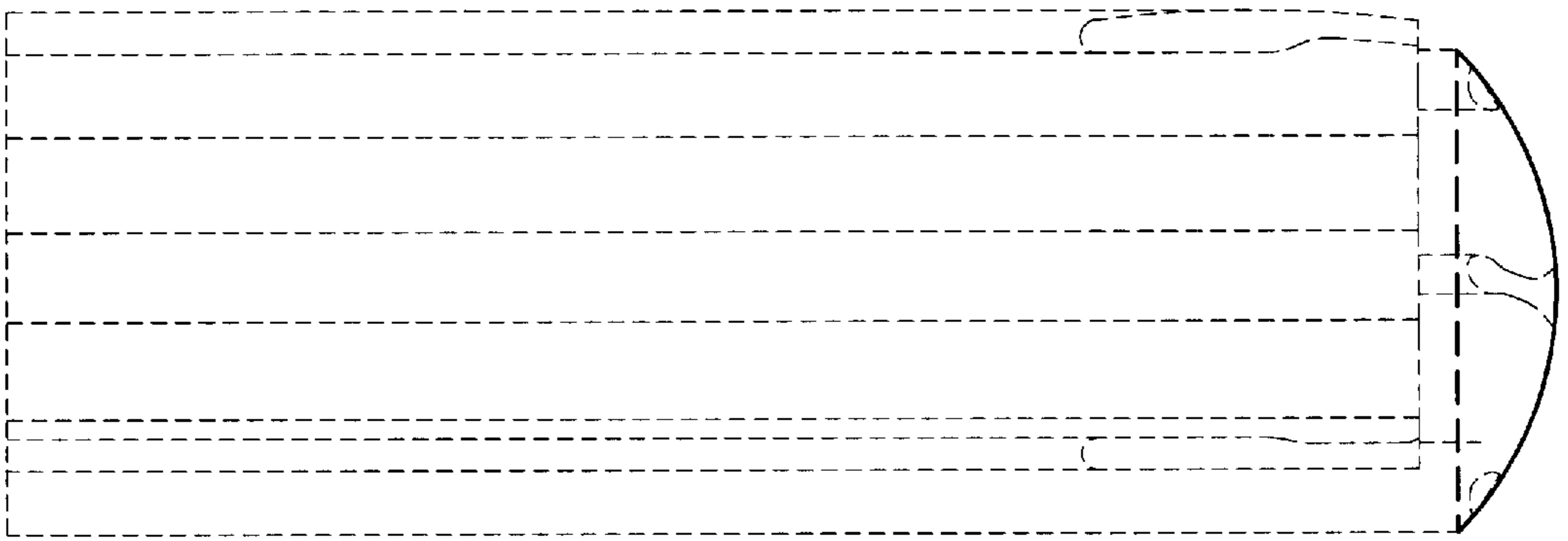


Fig. 5

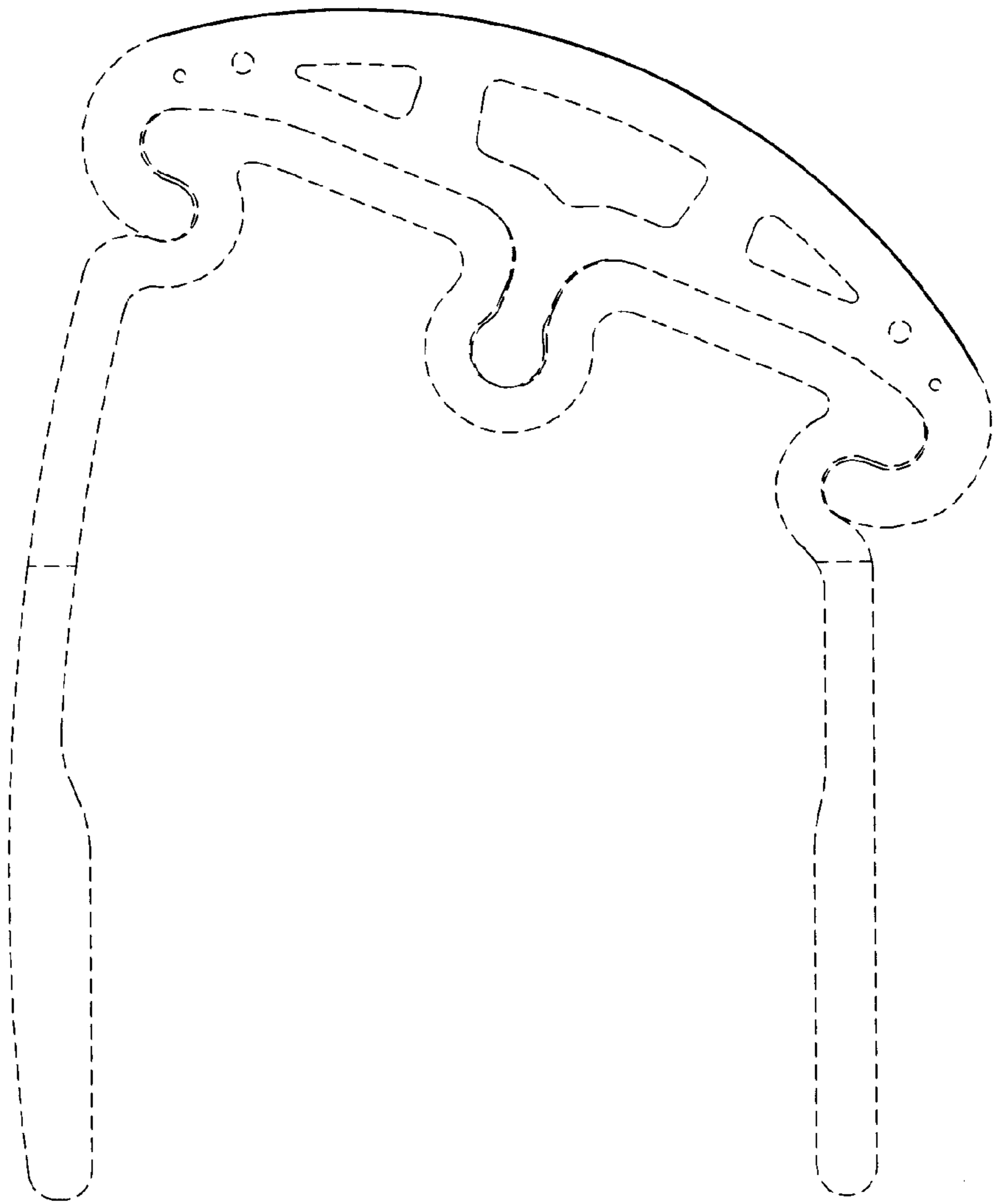


Fig. 6

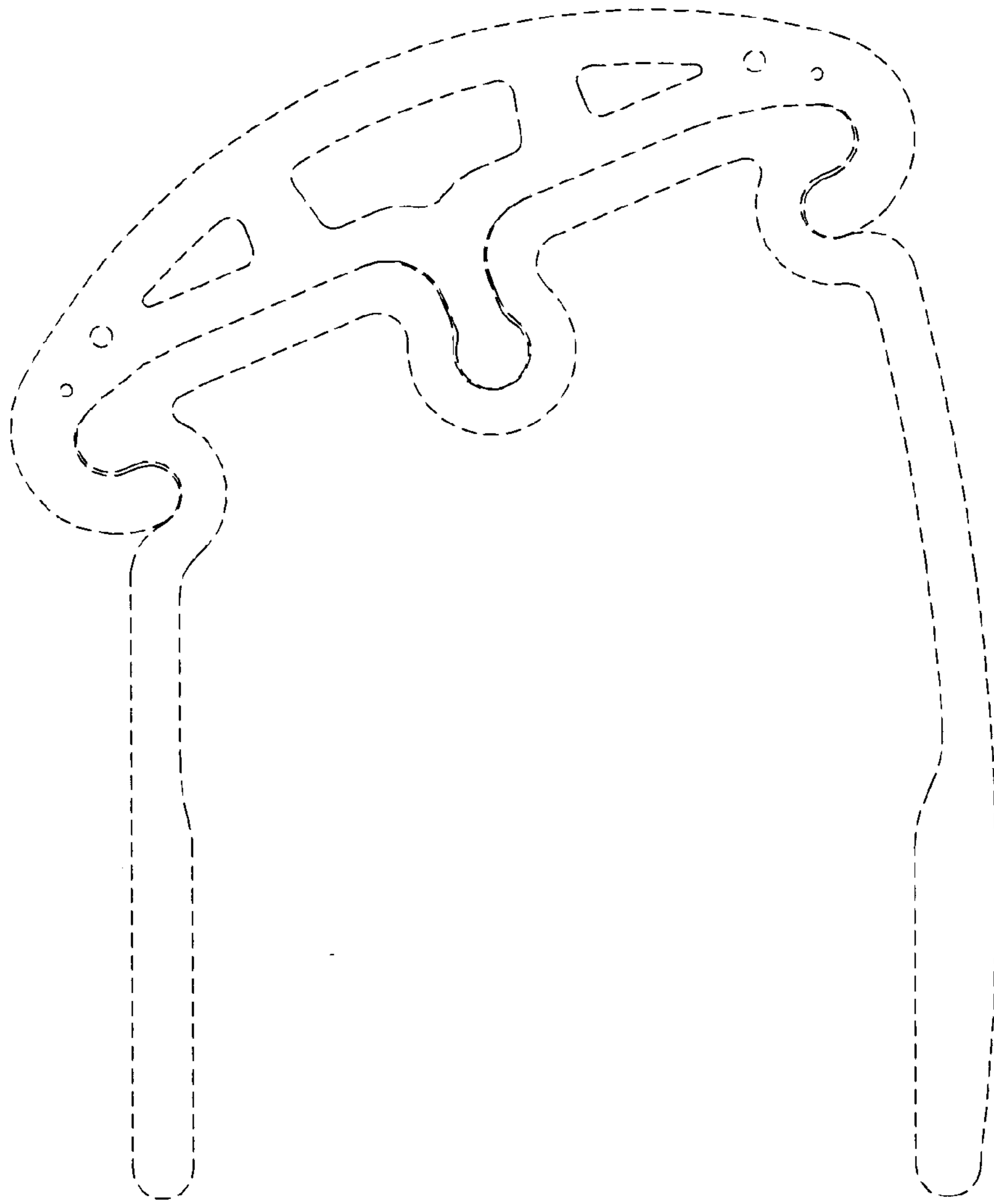


Fig. 7