



US00D487420S

(12) **United States Design Patent**
Kang

(10) **Patent No.:** **US D487,420 S**

(45) **Date of Patent:** **** Mar. 9, 2004**

(54) **WHEEL**

(75) **Inventor:** **Se Owan Kang**, Torrance, CA (US)

(73) **Assignee:** **Rimtech Inc.**, Gardena, CA (US)

(**) **Term:** **14 Years**

(21) **Appl. No.:** **29/186,042**

(22) **Filed:** **Jul. 8, 2003**

(51) **LOC (7) Cl.** **12-16**

(52) **U.S. Cl.** **D12/211**

(58) **Field of Search** D12/204-211;
301/37.101, 64.101, 65

(56) **References Cited**

U.S. PATENT DOCUMENTS

D403,289 S	12/1998	Watanabe	D12/209
D418,794 S	1/2000	Chung	D12/209
D423,442 S	4/2000	Hussaini et al.	D12/209
D433,373 S	11/2000	Hussaini et al.	D12/209
D433,375 S	11/2000	Fitzgerald	D12/209
D436,914 S	* 1/2001	Vian	D12/211
D441,339 S	* 5/2001	Hussaini et al.	D12/211

D444,119 S	* 6/2001	Brintouch	D12/211
D456,332 S	* 4/2002	Vian	D12/211
D460,733 S	* 7/2002	Bintoro	D12/211
D468,250 S	* 1/2003	Donikoglu	D12/209
D469,049 S	1/2003	Kataoka	D12/209
D469,728 S	2/2003	Kataoka	D12/209
D473,836 S	* 4/2003	Laengerer	D12/211
D481,346 S	* 10/2003	Vian	D12/211
D482,309 S	* 11/2003	Sulahian	D12/211

* cited by examiner

Primary Examiner—Stacia Cadmus

(74) *Attorney, Agent, or Firm*—Park & Sutton LLP; John K. Park

(57) **CLAIM**

The ornamental design for a wheel, as shown and described.

DESCRIPTION

FIG. 1 is a perspective view of a wheel showing my new design; and,

FIG. 2 is a front elevational view of FIG. 1.

The broken line showing of environment is for illustrative purposes only and forms no part of the claimed design.

1 Claim, 2 Drawing Sheets

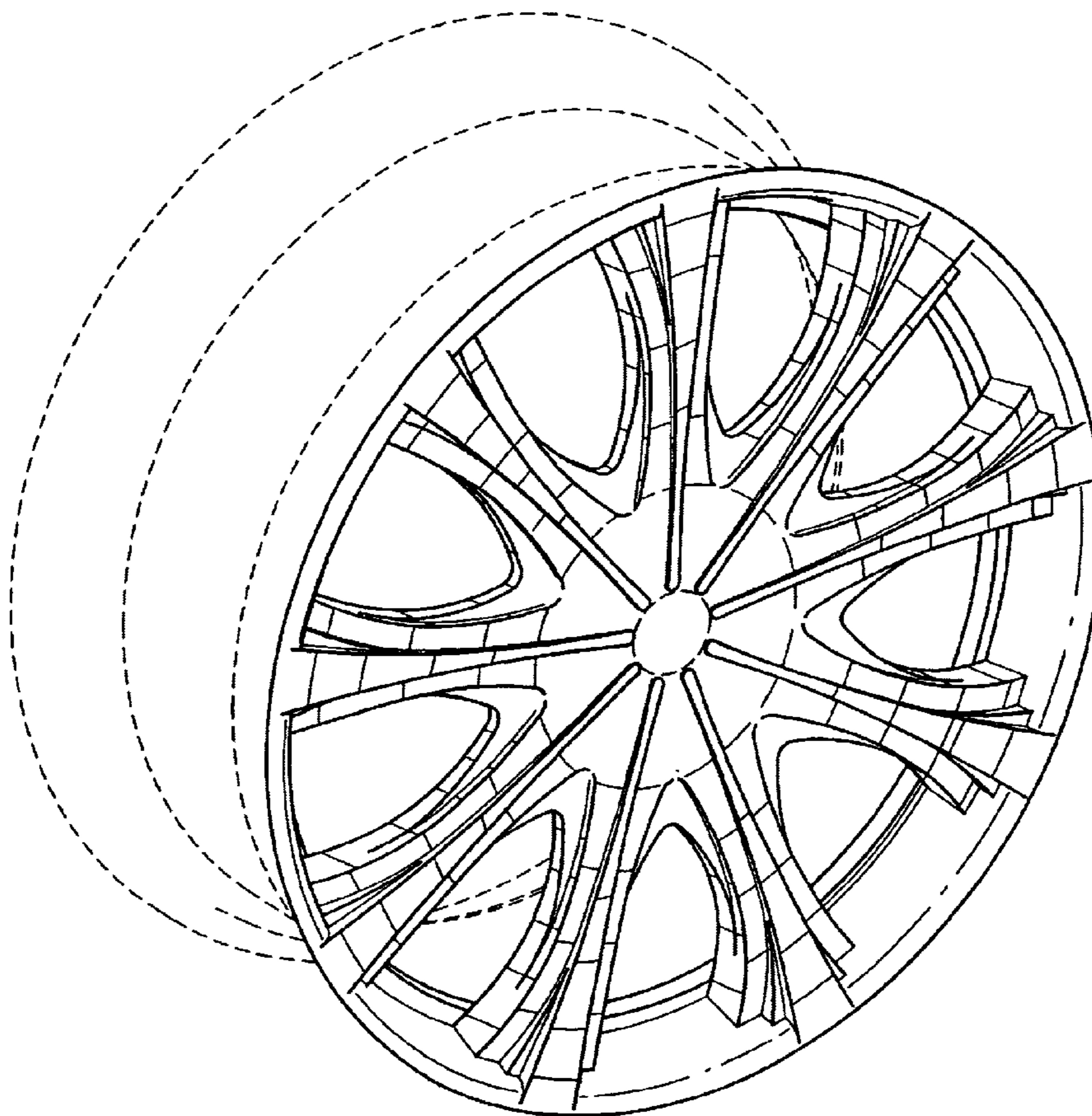


Fig. 1

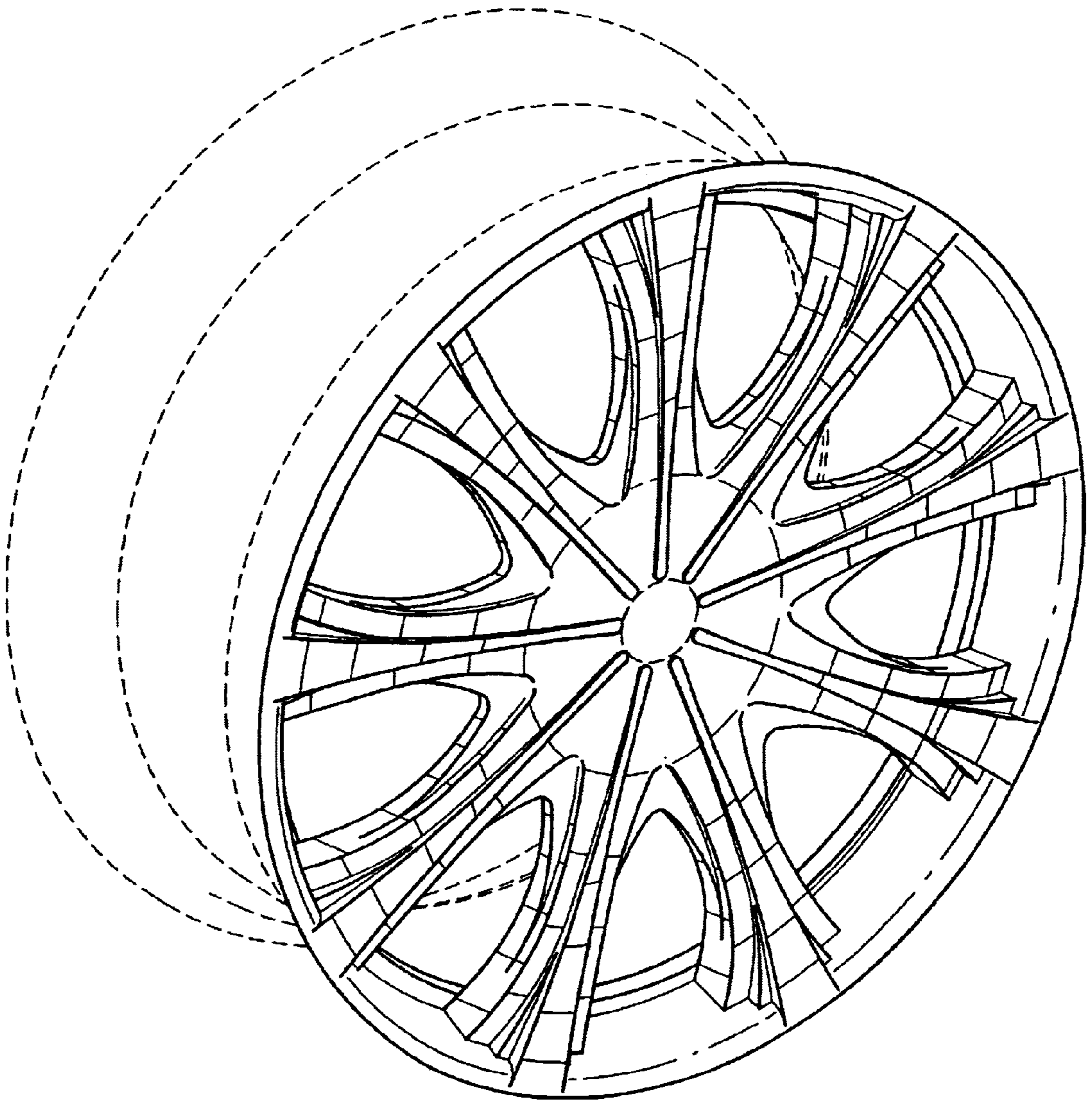


Fig. 2

