



US00D487419S

(12) **United States Design Patent**
Kim

(10) **Patent No.:** **US D487,419 S**

(45) **Date of Patent:** **** Mar. 9, 2004**

(54) **FRONT FACE OF A VEHICLE WHEEL**

(75) **Inventor:** **Gi Beom Kim, Seoul (KR)**

(73) **Assignee:** **Lion's Wheel Industrial Corp., Irvine, CA (US)**

(**) **Term:** **14 Years**

(21) **Appl. No.:** **29/182,966**

(22) **Filed:** **Jun. 4, 2003**

(51) **LOC (7) Cl.** **12-16**

(52) **U.S. Cl.** **D12/211**

(58) **Field of Search** **D12/204-211;**
301/37.101, 64.101, 65

(56) **References Cited**

U.S. PATENT DOCUMENTS

D439,212 S	3/2001	Neeper	
D441,709 S	5/2001	Vian	
D444,118 S	* 6/2001	Chung	D12/211
D455,109 S	* 4/2002	Foose	D12/211
D456,335 S	* 4/2002	Chung	D12/211
D459,690 S	7/2002	Bintoro	
D459,692 S	7/2002	Vian	
D466,066 S	11/2002	Bintoro	
D466,067 S	11/2002	Muzzarelli	

D470,449 S	* 2/2003	Bernoni	D12/211
D473,837 S	4/2003	Vian	
D474,140 S	* 5/2003	Chirala	D12/209
D475,676 S	6/2003	Chung	
D475,961 S	6/2003	Pfeiffer et al.	
D477,265 S	* 7/2003	Chung	D12/211
D477,266 S	* 7/2003	Chung	D12/211
D477,801 S	7/2003	Brown et al.	
D478,031 S	8/2003	Brown et al.	
D478,306 S	8/2003	Brown et al.	
D480,038 S	* 9/2003	Oh	D12/211

* cited by examiner

Primary Examiner—Stacia Cadmus

(74) *Attorney, Agent, or Firm*—Blakely, Sokoloff, Taylor & Zafman, LLP

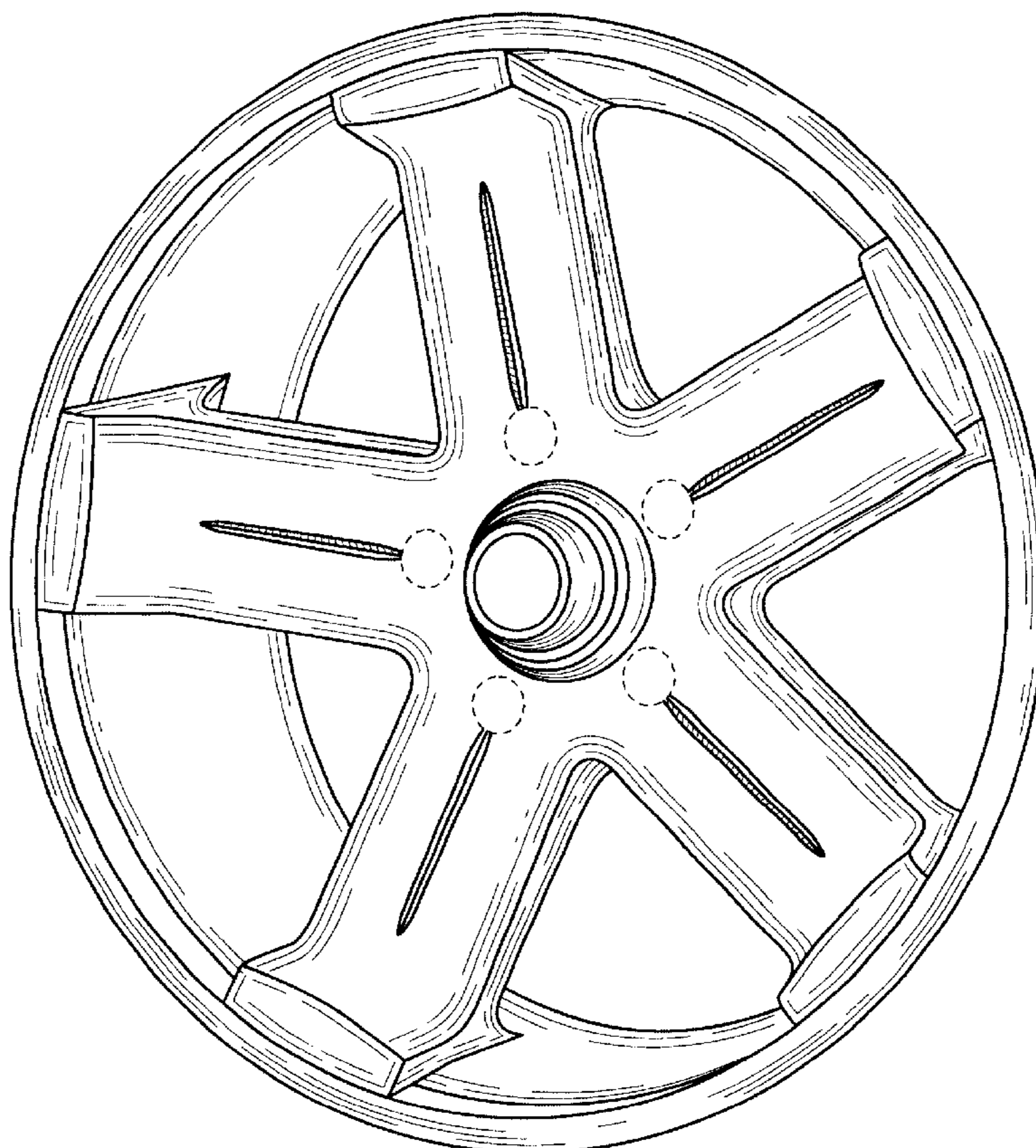
(57) **CLAIM**

The ornamental design for a front face of a vehicle wheel, as shown and described.

DESCRIPTION

FIG. 1 is a perspective view of a front face of a vehicle wheel showing my new design; and, FIG. 2 is a front view thereof. The broken lines are for illustrative purposes only and form no part of the claimed design.

1 Claim, 2 Drawing Sheets



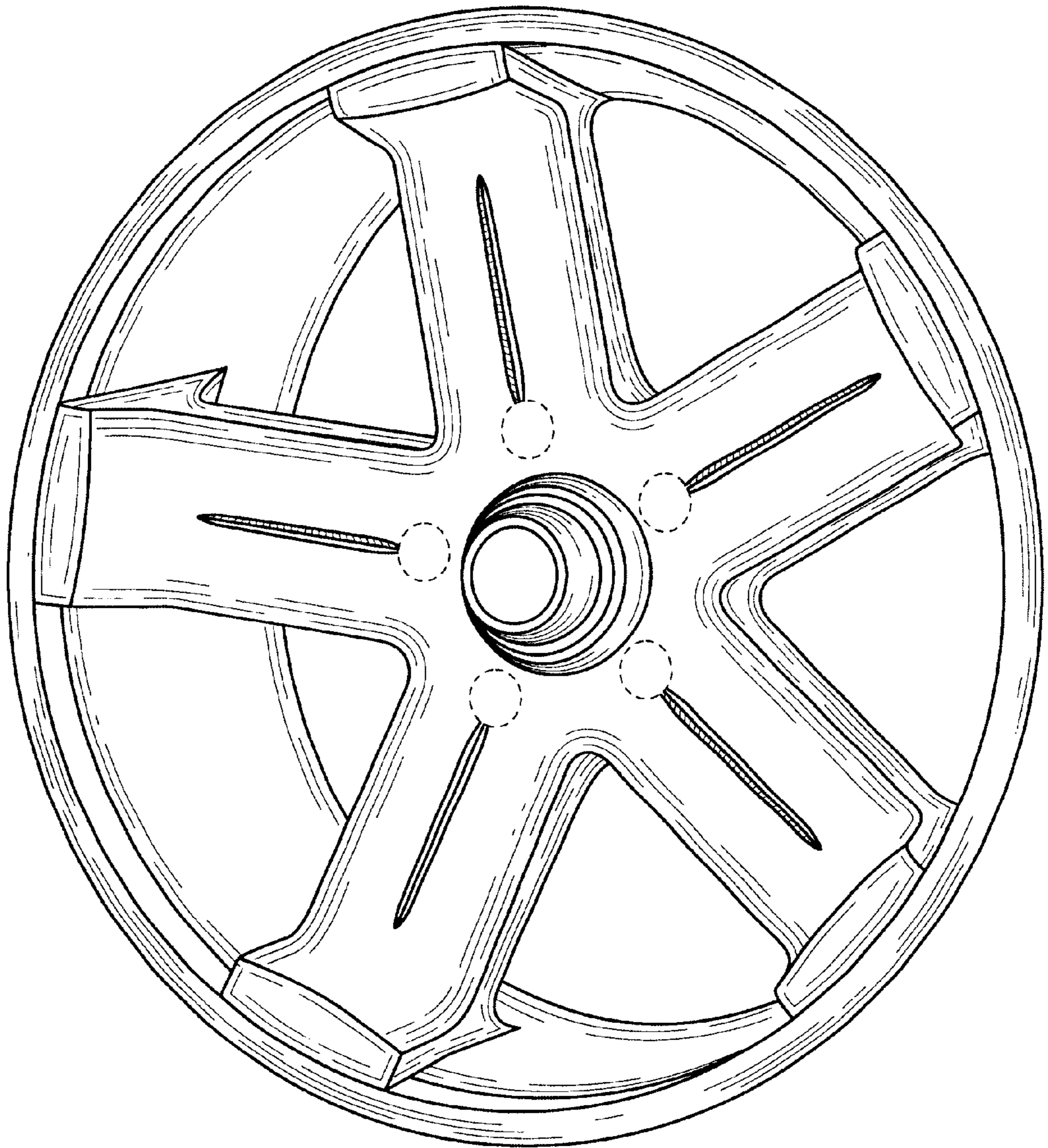


FIG. 1

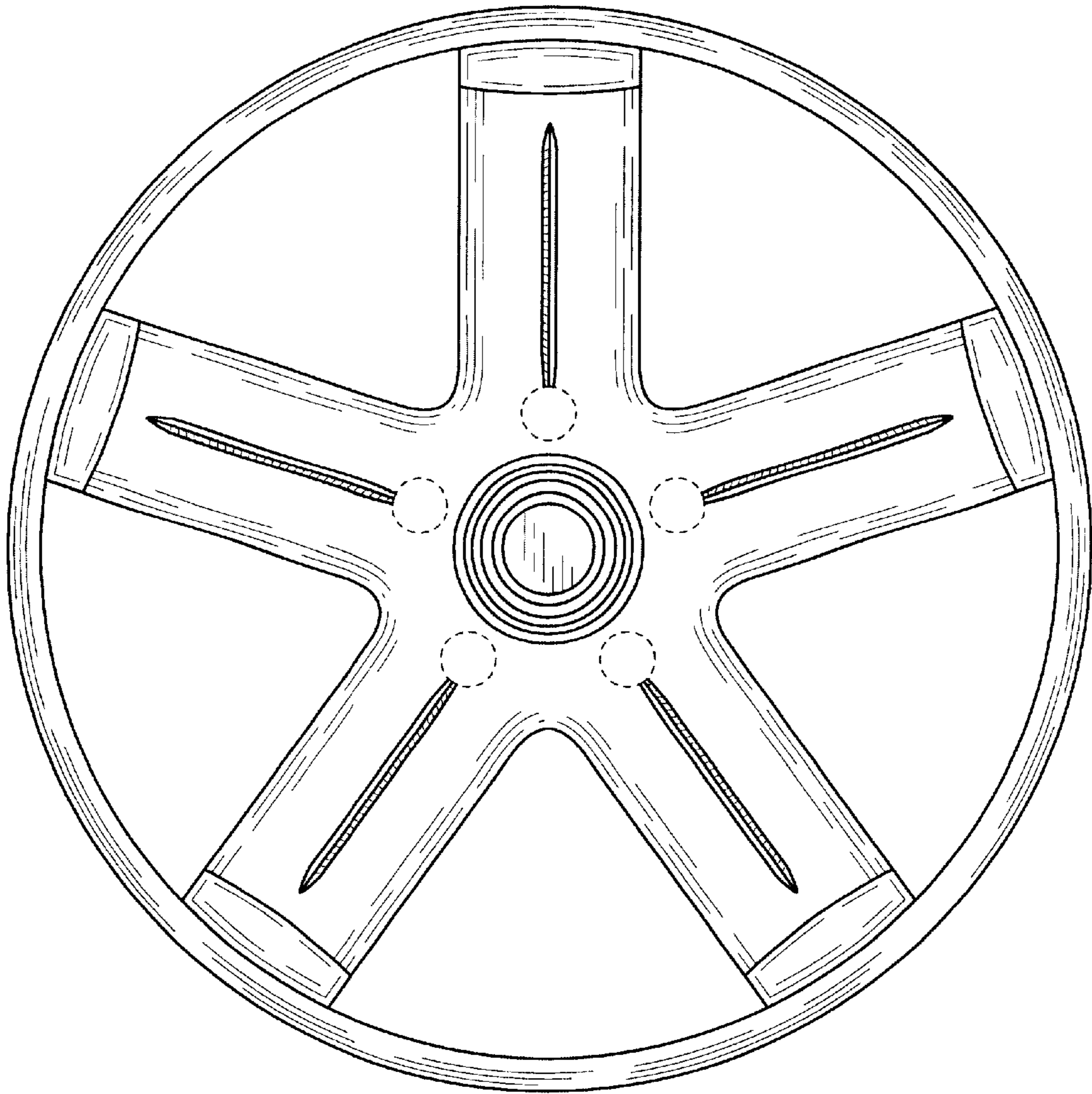


FIG. 2