



US00D487417S

(12) **United States Design Patent**
Hsu

(10) **Patent No.:** **US D487,417 S**

(45) **Date of Patent:** **** Mar. 9, 2004**

(54) **AUTOMOTIVE INSTRUMENT PANEL**

(76) **Inventor:** **Kevin Hsu**, 220 W. Duarte Rd.,
Arcadia, CA (US) 91007

(**) **Term:** **14 Years**

(21) **Appl. No.:** **29/166,968**

(22) **Filed:** **Sep. 6, 2002**

(51) **LOC (7) Cl.** **12-16**

(52) **U.S. Cl.** **D12/192**

(58) **Field of Search** D12/192, 114;
D10/98, 102, 123-126, 46, 49, 50, 103;
280/752, DIG. 5; 296/70; 180/90

(56) **References Cited**

U.S. PATENT DOCUMENTS

D137,836 S	*	5/1944	Dailey	D10/98
D158,600 S	*	5/1950	Loveland	D10/98
D252,139 S	*	6/1979	Chojna	D10/98 X
D252,320 S	*	7/1979	Chojna	D10/98 X
D381,613 S	*	7/1997	Ma	D12/192
D413,295 S	*	8/1999	Sauter	D12/192

D422,545 S	*	4/2000	Palalau et al.	D12/192
D445,745 S	*	7/2001	Norman	D12/192
D450,023 S	*	11/2001	Rayburn	D12/192
D450,282 S	*	11/2001	Sauter	D12/192
D450,283 S	*	11/2001	Rayburn	D12/192
D452,180 S	*	12/2001	Rose	D10/98
D475,956 S	*	6/2003	Juraschek et al.	D12/192
D479,478 S	*	9/2003	Hoshino	D10/102

* cited by examiner

Primary Examiner—Stacia Cadmus

(74) *Attorney, Agent, or Firm*—Kleinberg & Lerner LLP;
Finn T. Simmens

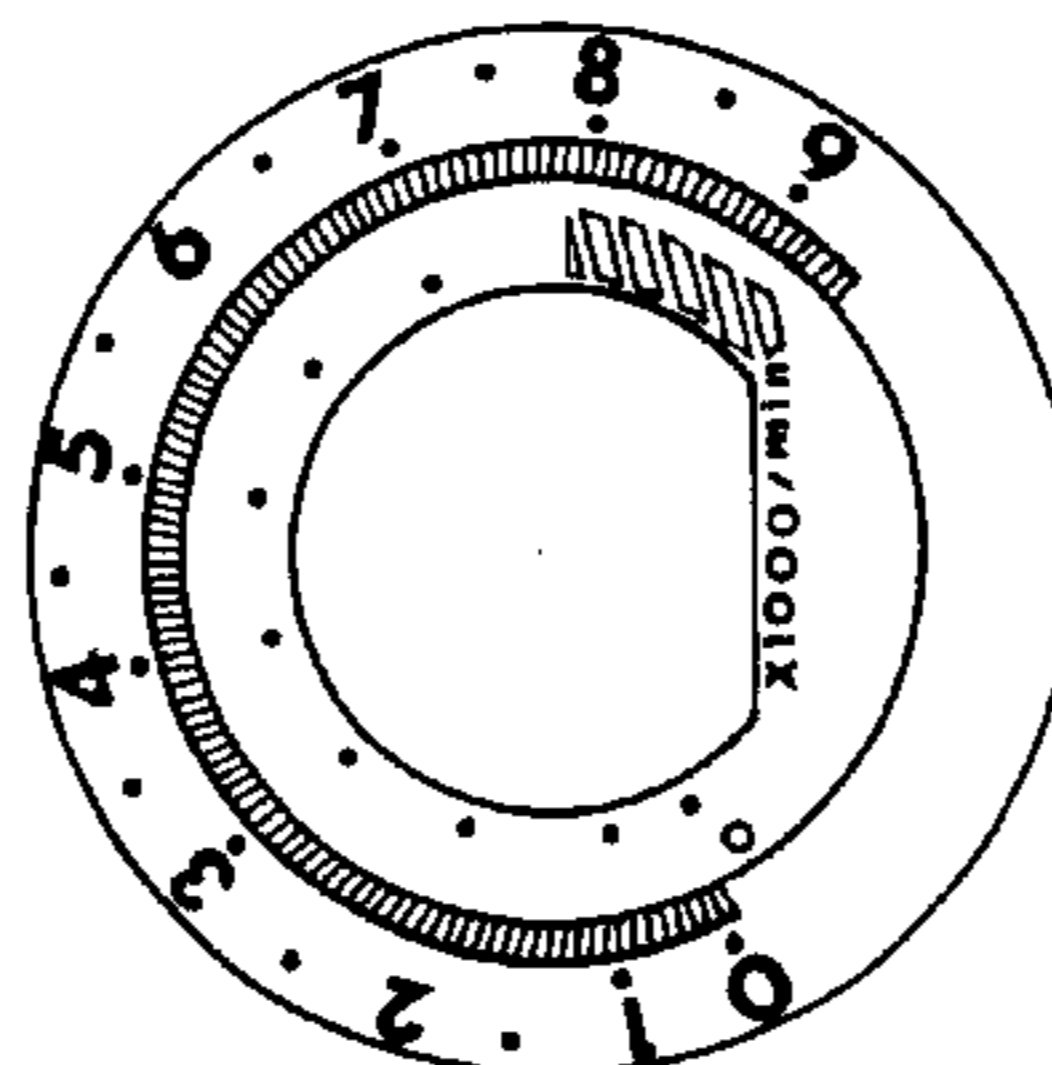
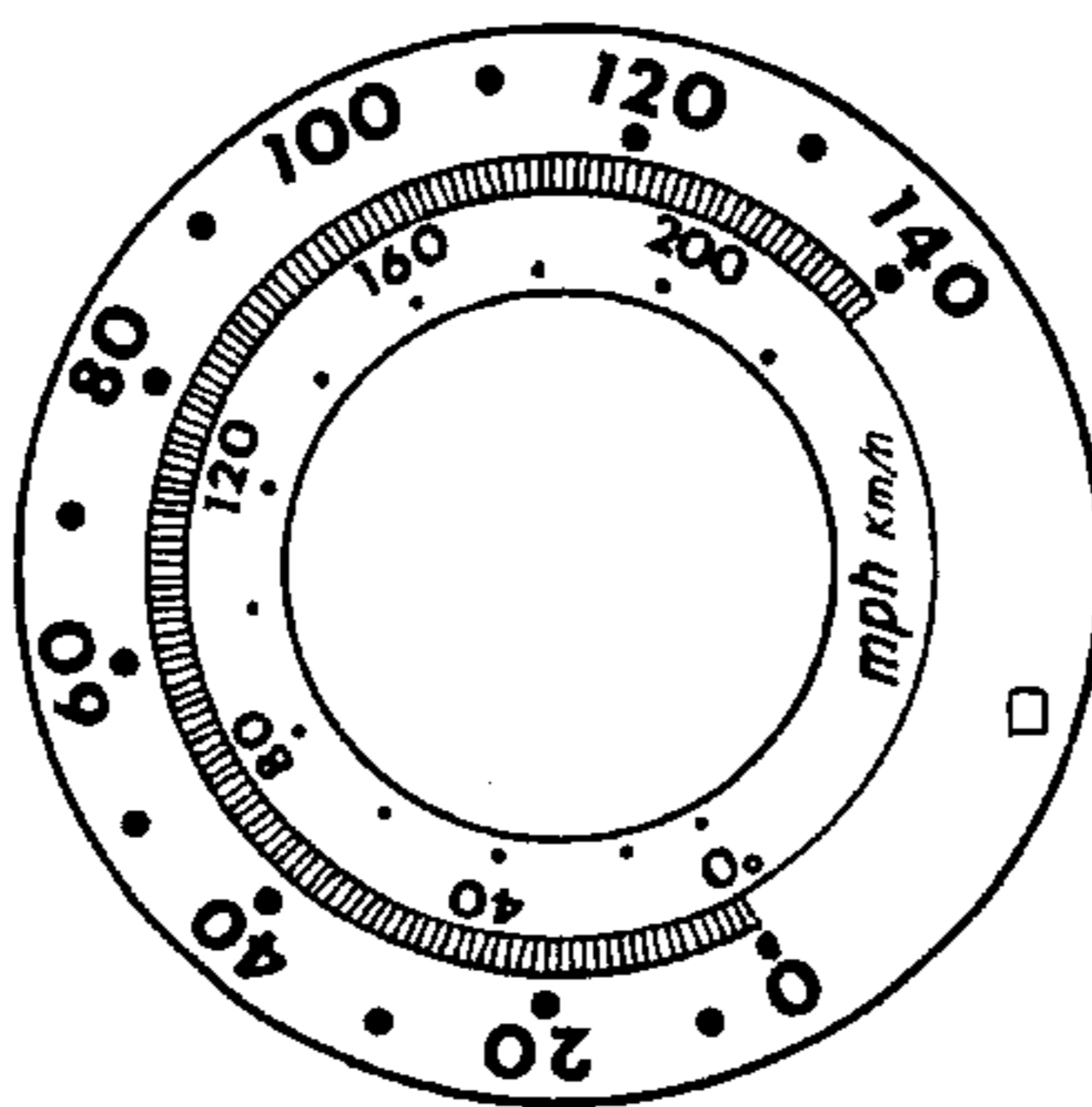
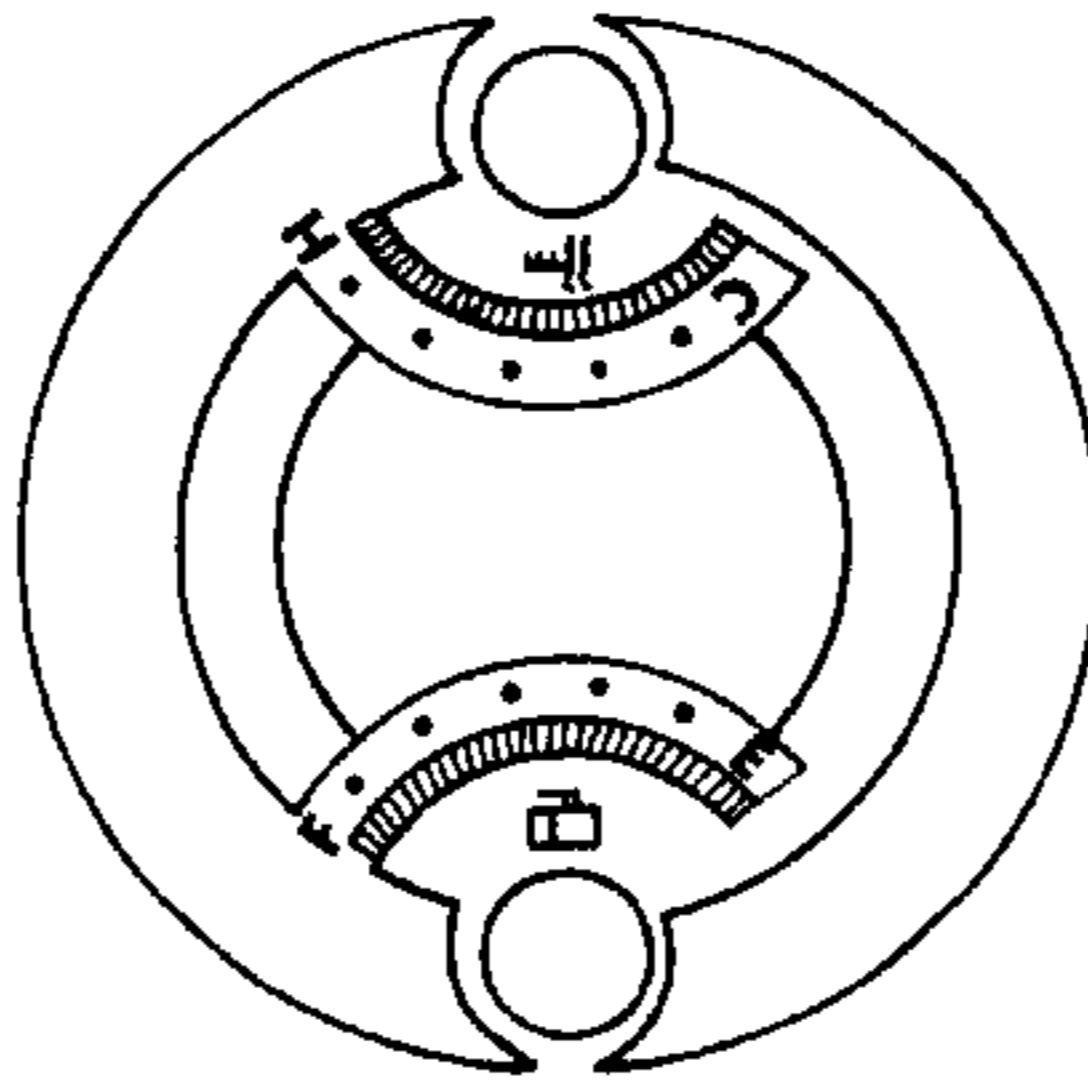
(57) **CLAIM**

The ornamental design for an automotive instrument panel,
as shown and described.

DESCRIPTION

FIG. 1 is a front view of an automotive instrument panel,
showing my new design; and,
FIG. 2 is front view of a second embodiment of an auto-
motive instrument panel.

1 Claim, 2 Drawing Sheets



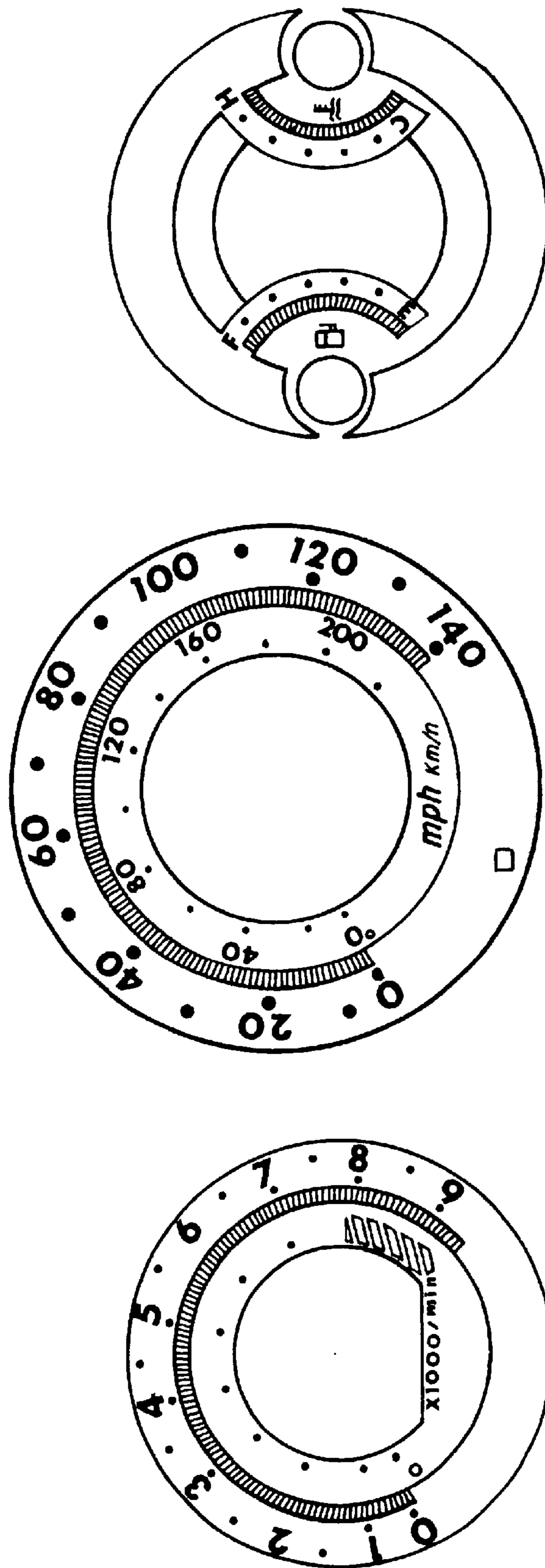


Fig. 1

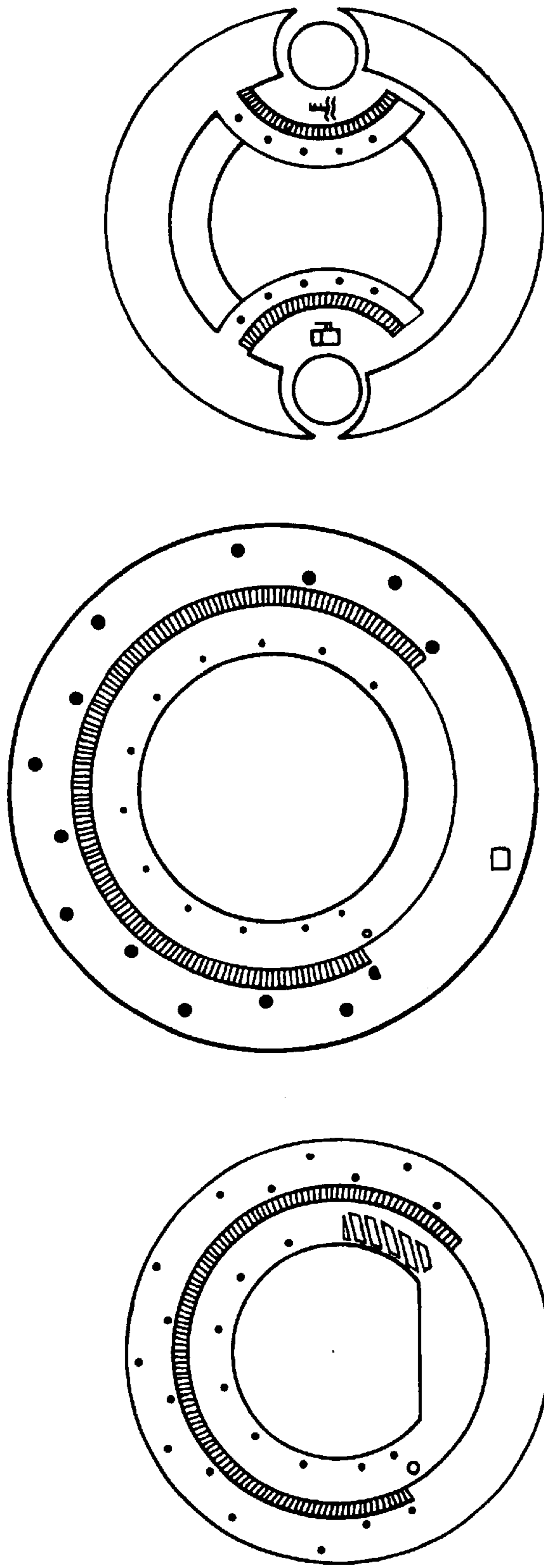


Fig. 2