



US00D487416S

(12) **United States Design Patent**  
**Lin**

(10) **Patent No.:** **US D487,416 S**

(45) **Date of Patent:** **\*\* Mar. 9, 2004**

(54) **BICYCLE HANDLE BAR**

(75) Inventor: **Hank Lin**, Pan-Chiao (TW)

(73) Assignee: **Giant Manufacturing Co., Ltd.**,  
Taichung Hsien (TW)

(\*\*) Term: **14 Years**

(21) Appl. No.: **29/181,120**

(22) Filed: **May 6, 2003**

(51) **LOC (7) Cl.** ..... **12-16**

(52) **U.S. Cl.** ..... **D12/179**

(58) **Field of Search** ..... **D12/111, 178;**  
**74/551.1-551.7**

(56) **References Cited**

**U.S. PATENT DOCUMENTS**

D307,257 S \* 4/1990 Tsai ..... D12/178

D393,438 S \* 4/1998 Cartwright ..... D12/178

\* cited by examiner

*Primary Examiner*—Alan P. Douglas

*Assistant Examiner*—Linda Brooks

(74) *Attorney, Agent, or Firm*—Harness, Dickey & Pierce,  
P.L.C.

(57) **CLAIM**

The ornamental design for a bicycle handle bar, as shown and described.

**DESCRIPTION**

FIG. 1 is a perspective view of bicycle handle bar showing my new design;

FIG. 2 is a front elevational view thereof;

FIG. 3 is a rear elevational view thereof;

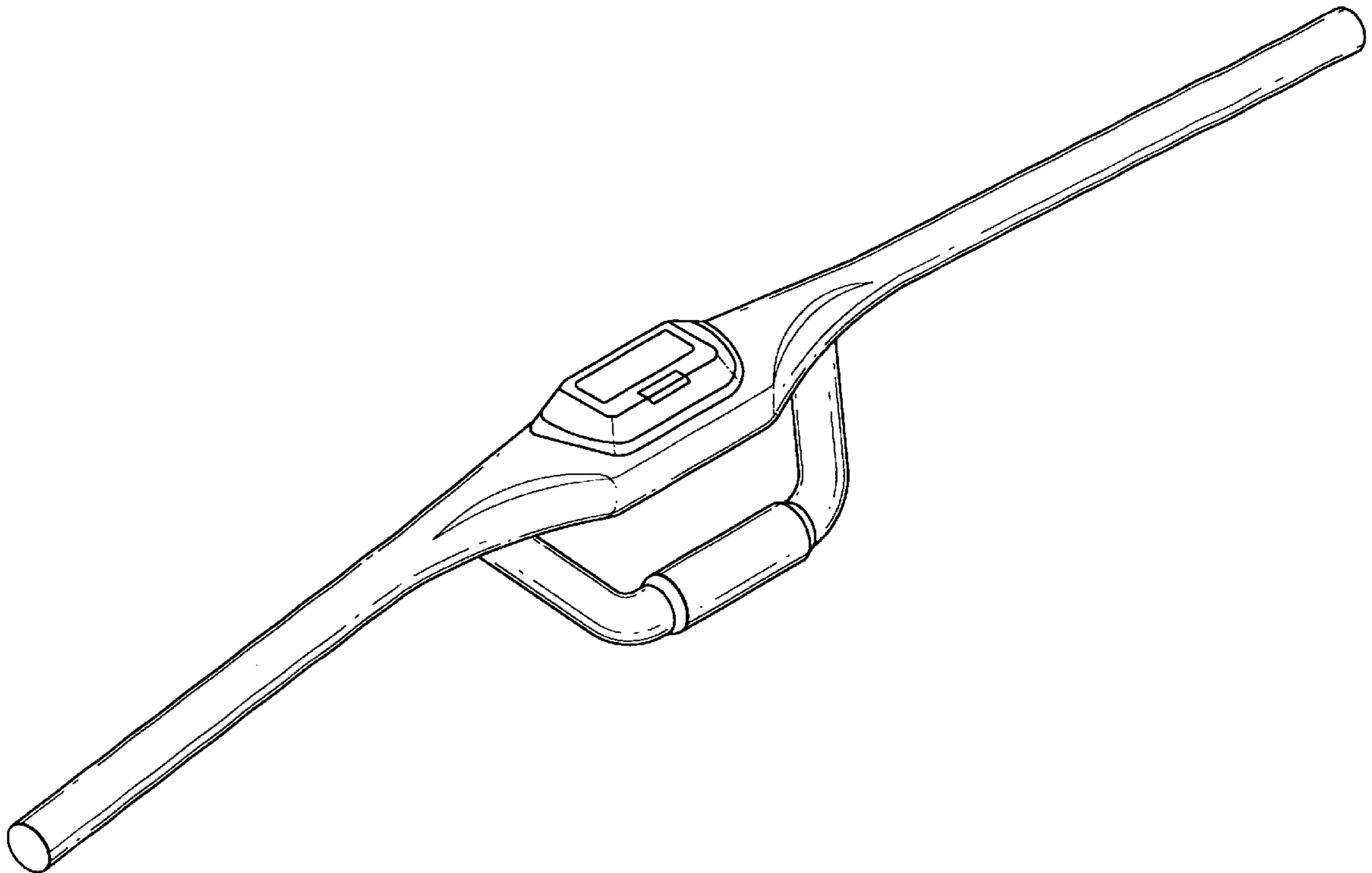
FIG. 4 is a left side elevational view thereof;

FIG. 5 is a right side elevational view thereof;

FIG. 6 is a top plan view thereof; and,

FIG. 7 is a bottom plan view thereof.

**1 Claim, 4 Drawing Sheets**



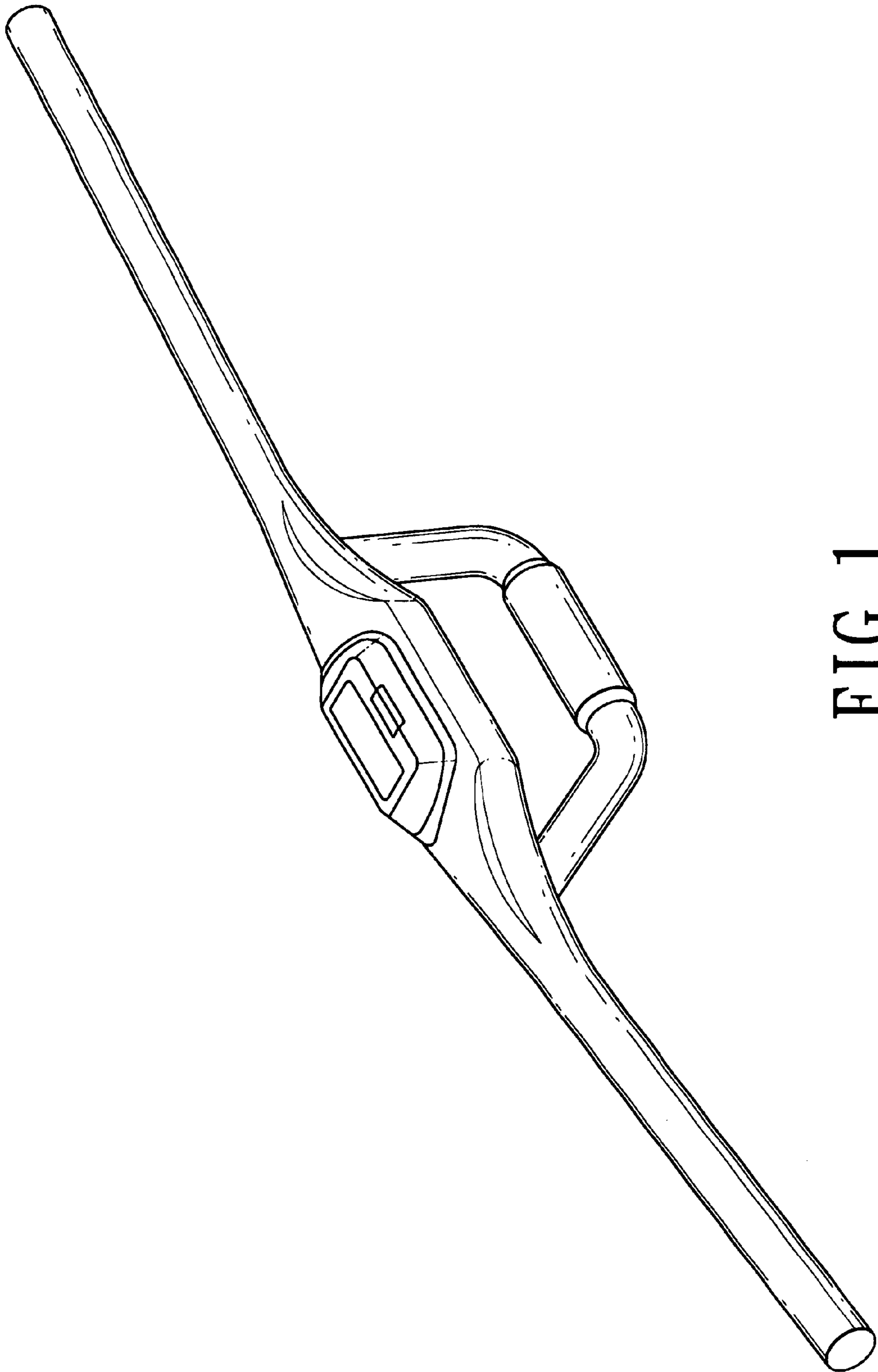


FIG. 1

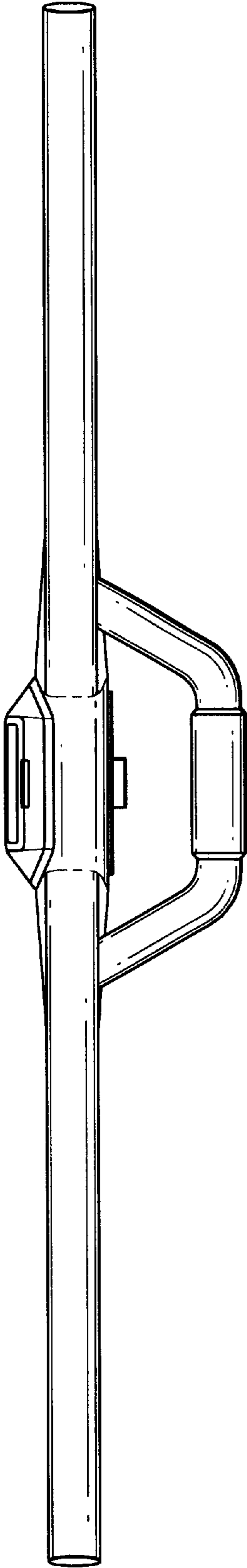


FIG. 2

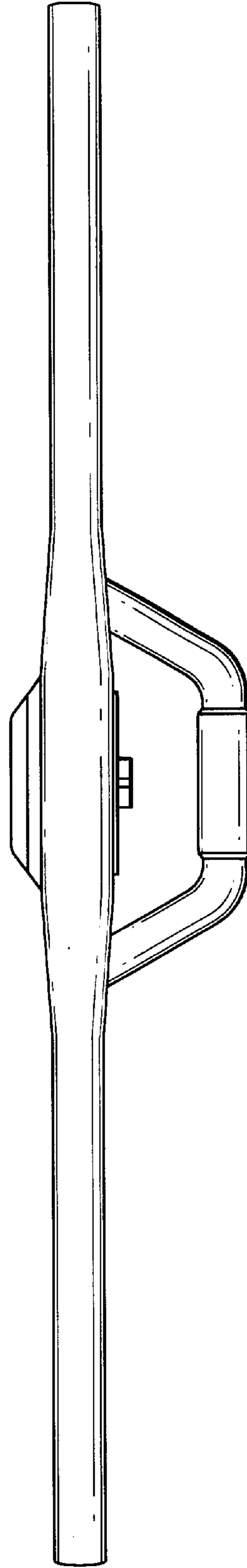


FIG. 3

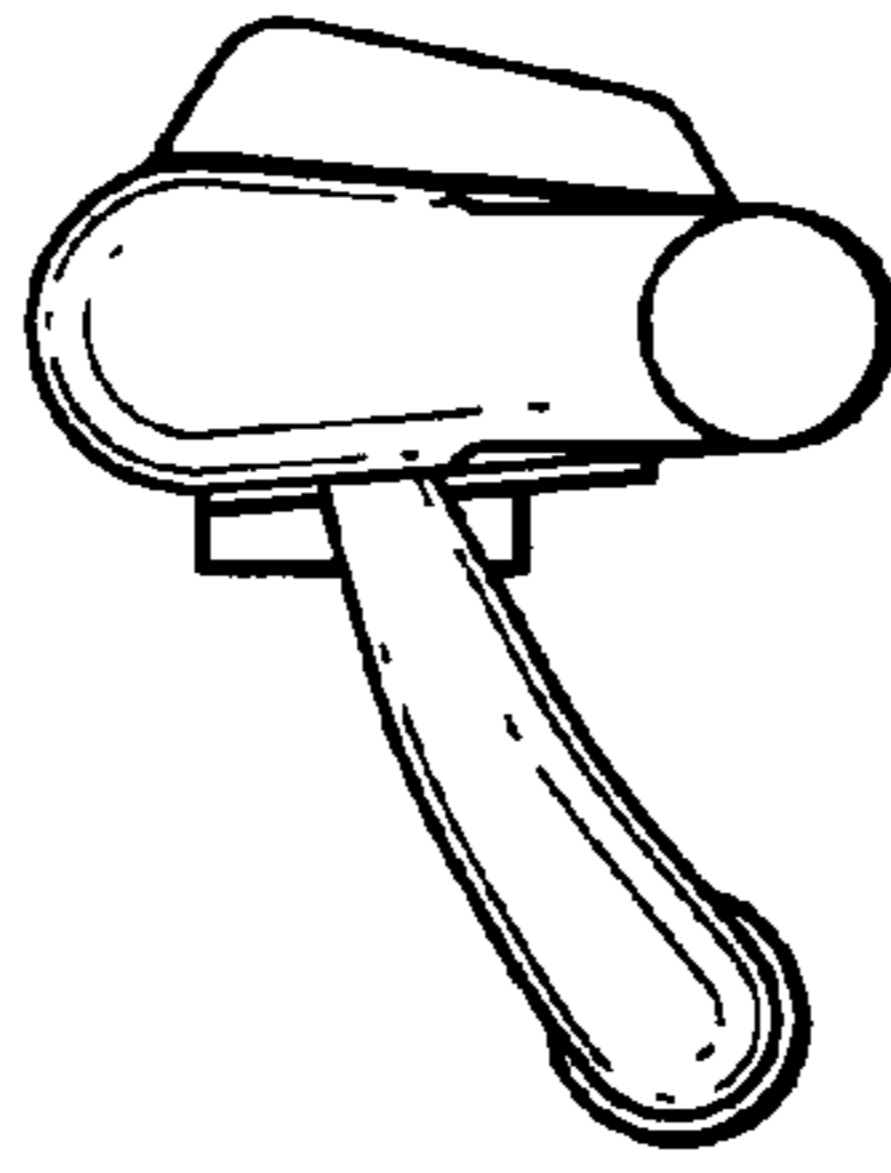


FIG. 4

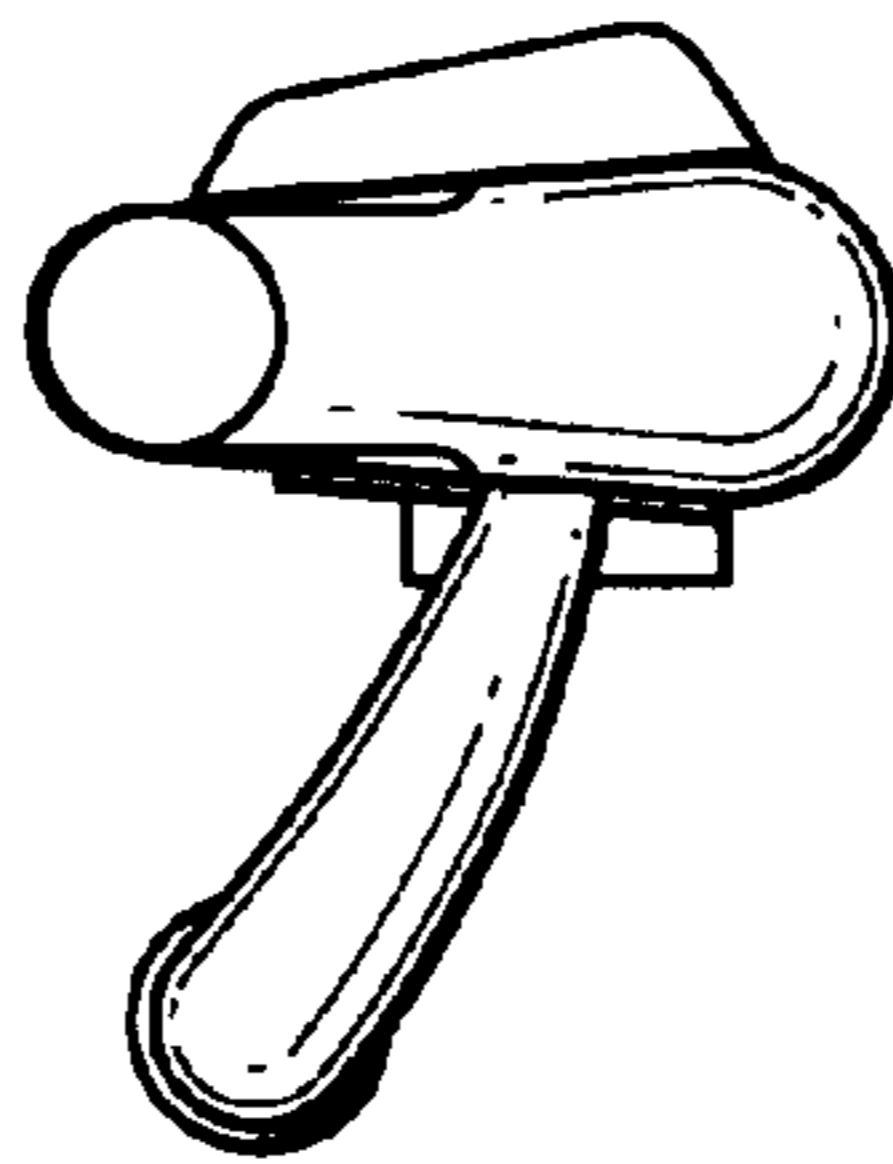


FIG. 5

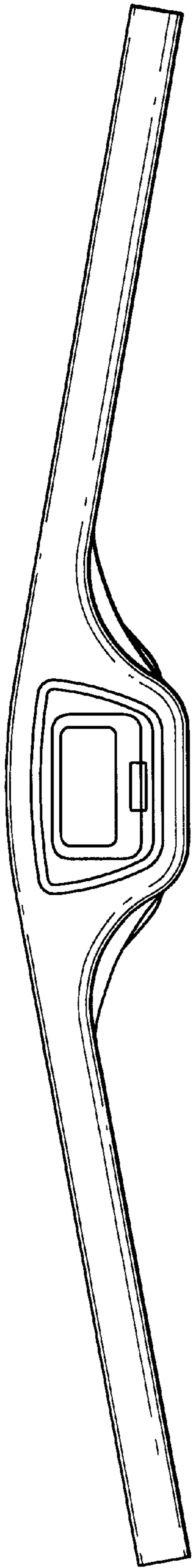


FIG. 6

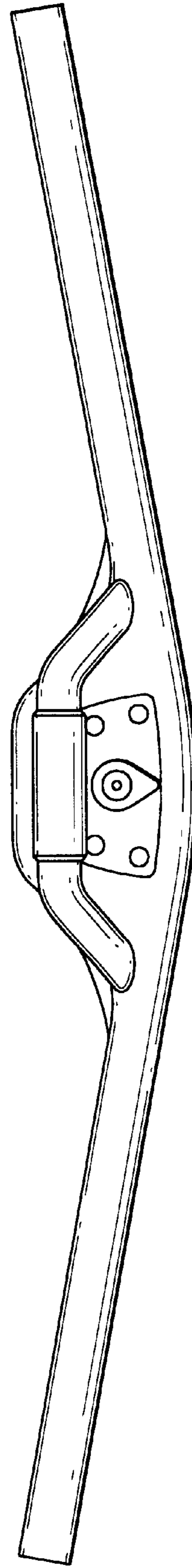


FIG. 7