



US00D487410S

(12) **United States Design Patent**
Seliktar

(10) **Patent No.:** **US D487,410 S**

(45) **Date of Patent:** **** Mar. 9, 2004**

(54) **DECORATIVE, DIAMOND-CUT JEWELRY SURFACE**

D320,572 S * 10/1991 Bulgari D11/3
D362,397 S * 9/1995 Helleu D11/87

(75) Inventor: **Ronen Seliktar**, Long Island City, NY (US)

* cited by examiner

Primary Examiner—Louis S. Zarfes

Assistant Examiner—Deanne Levy

(73) Assignee: **Select Jewelry, Inc.**, Long Island City, NY (US)

(74) *Attorney, Agent, or Firm*—Ostrolenk, Faber, Gerb & Soffen, LLP

(**) Term: **14 Years**

(57) **CLAIM**

(21) Appl. No.: **29/157,728**

The ornamental design for decorative, diamond-cut jewelry surface, as shown and described.

(22) Filed: **Mar. 21, 2002**

DESCRIPTION

(51) **LOC (7) Cl.** **11-01**

(52) **U.S. Cl.** **D11/90**

(58) **Field of Search** 63/15-15.9, 26-31, 63/3-4; D11/1, 26-39, 40-42, 43-47, 75-78, 79-80, 89-93, 3, 6, 11-18; 428/596; 59/80

FIG. 1 is a plan view of the decorative, diamond-cut jewelry surface of the present invention, located on a phantom or generic jewelry piece.

FIG. 2 is an enlargement of the decorative, diamond-cut jewelry surface of the present invention.

FIG. 3 is a cross-section through the diamond-cut jewelry surface of FIG. 2, through lines 3-3 thereof; and,

FIG. 4 is a cross-section through the diamond-cut jewelry surface of FIG. 2, through lines 4-4 thereof.

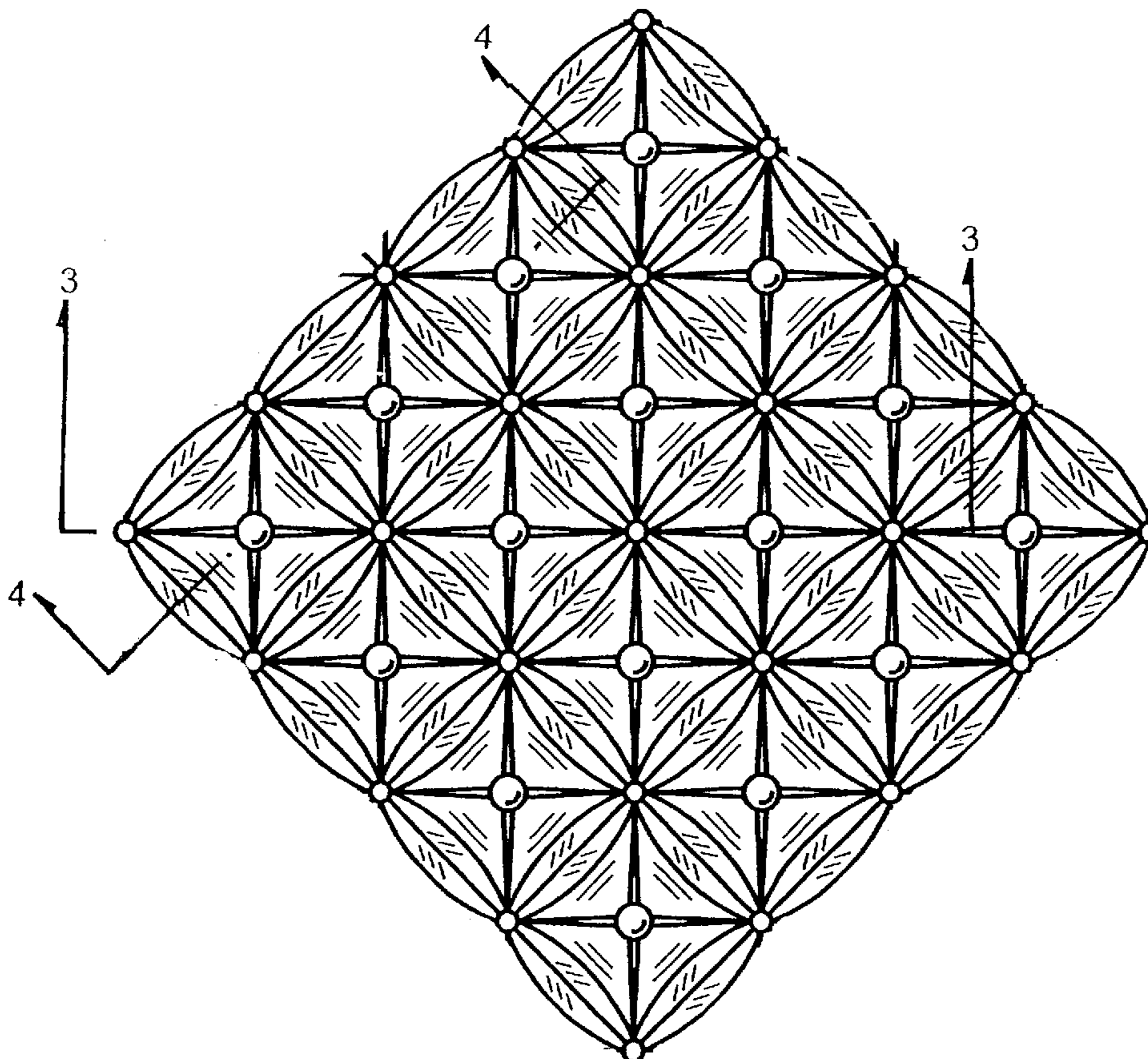
The broken line showing of the jewelry piece is for illustrative purposes only and forms no part of the claimed design.

(56) **References Cited**

U.S. PATENT DOCUMENTS

249,238 A	*	11/1881	Heggie et al.	63/12
382,085 A	*	5/1888	Henry	428/596
D19,834 S	*	5/1890	Dodge	D11/86
D45,064 S	*	12/1913	Heilborn	40/114
2,350,714 A	*	6/1944	Bazner	63/33
4,842,904 A	*	6/1989	Swarovski	428/28

1 Claim, 2 Drawing Sheets



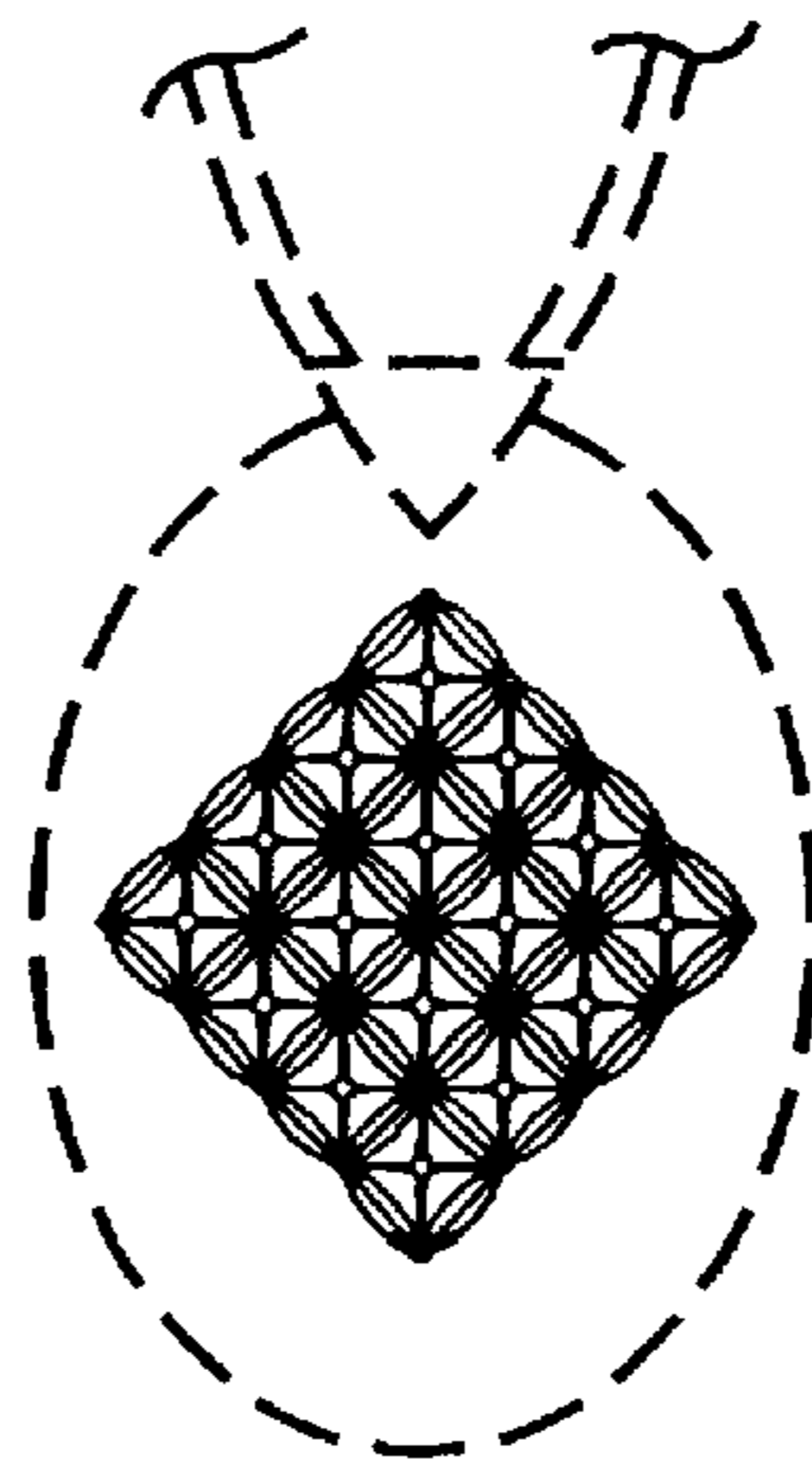


FIG. 1

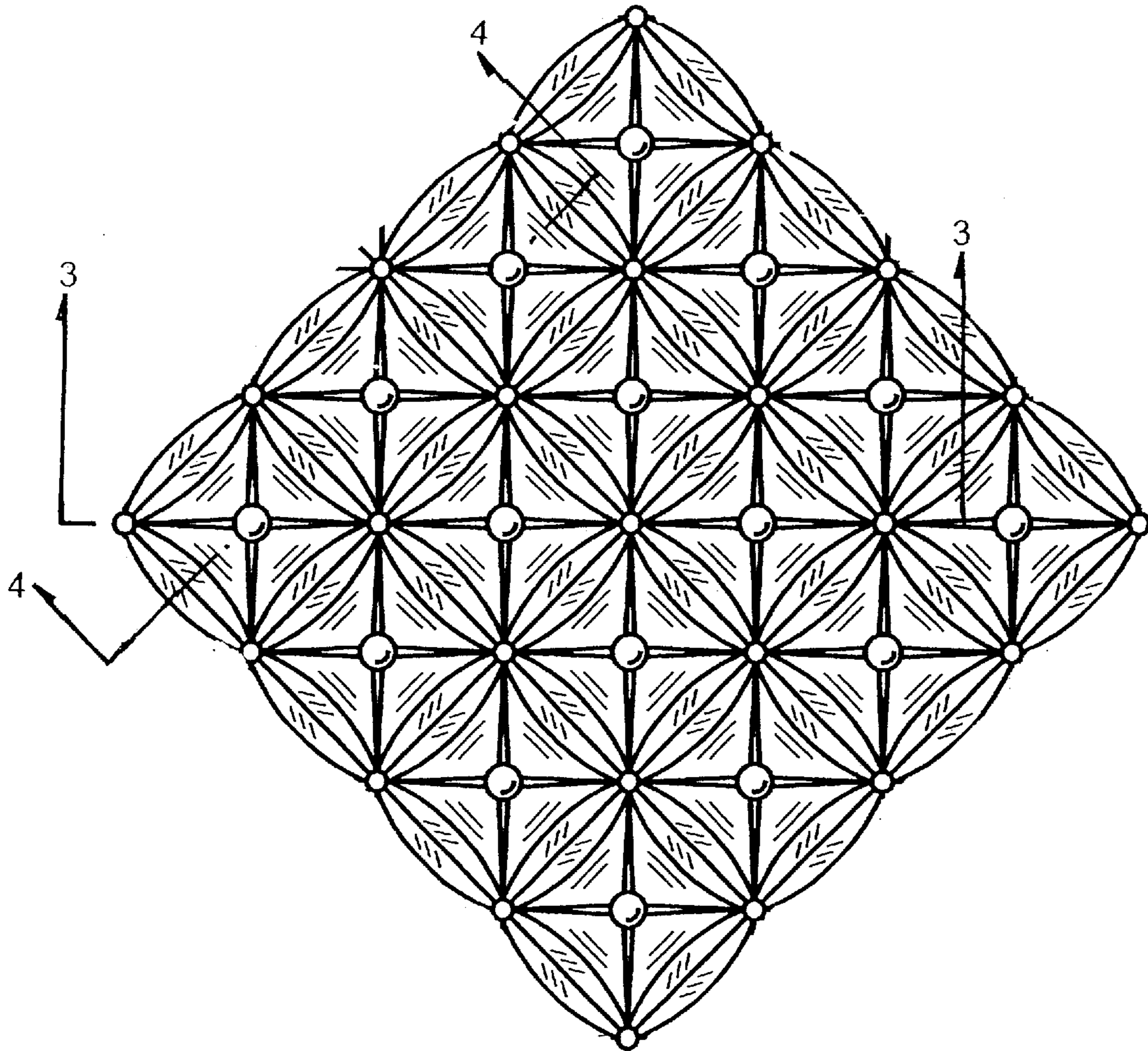


FIG. 2

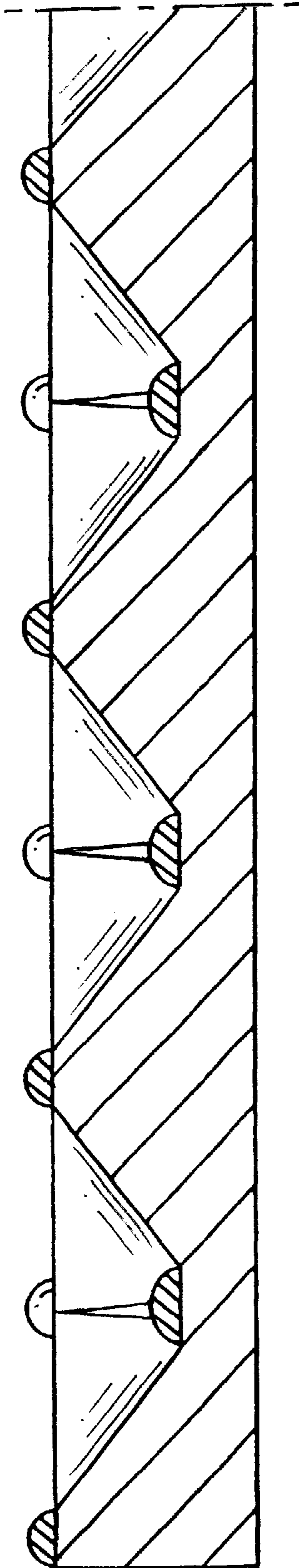


FIG. 3

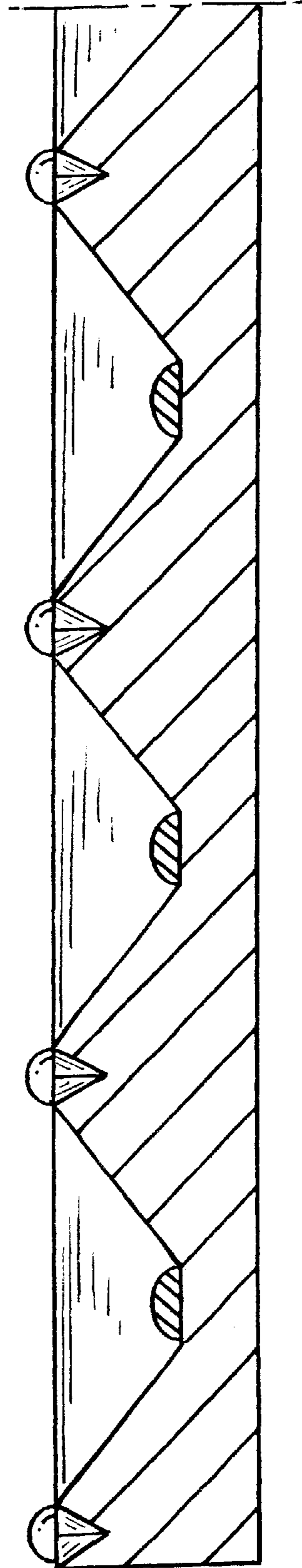


FIG. 4