



US00D487406S

(12) **United States Design Patent**
Anderson

(10) **Patent No.:** **US D487,406 S**

(45) **Date of Patent:** **** Mar. 9, 2004**

(54) **MOBILE PARKING LIMIT INDICATING
DEVICE**

(76) **Inventor:** **Scott C. Anderson**, 3645 Giddings
Ranch Rd., Altadena, CA (US) 91061

(**) **Term:** **14 Years**

(21) **Appl. No.:** **29/180,604**

(22) **Filed:** **Apr. 24, 2003**

(51) **LOC (7) Cl.** **10-05**

(52) **U.S. Cl.** **D10/109**

(58) **Field of Search** D10/109, 111,
D10/121; D20/10, 41; 116/173-175, 63 R;
40/618, 612, 606.18; D11/165, 166, 172

(56) **References Cited**

U.S. PATENT DOCUMENTS

D340,203 S	*	10/1993	Popp et al.	D10/109
D340,417 S	*	10/1993	Popp et al.	D10/109
D340,418 S	*	10/1993	Popp et al.	D10/109
D351,807 S	*	10/1994	Smith et al.	D10/109

D396,821 S	*	8/1998	Enloe	D10/109
D397,364 S	*	8/1998	Barrett	D20/41
D405,377 S	*	2/1999	Davis	D10/109
D438,134 S	*	2/2001	Sloven	D10/109
D456,731 S	*	5/2002	Stockman	D10/109

* cited by examiner

Primary Examiner—Nelson C. Holtje

(74) *Attorney, Agent, or Firm*—James E. Brunton

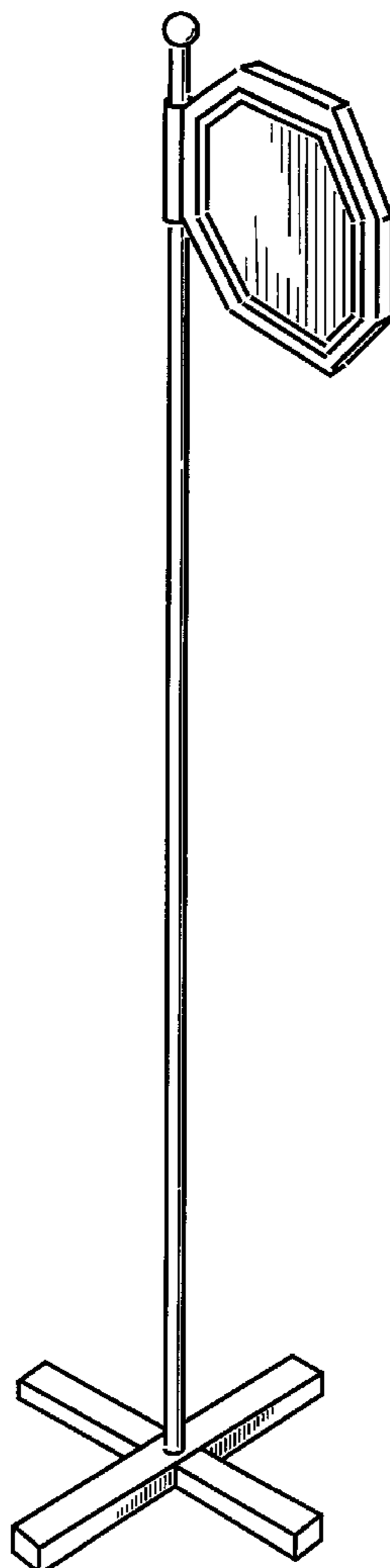
(57) **CLAIM**

The ornamental design for a “mobile parking limit indicat-
ing device,” as shown

DESCRIPTION

FIG. 1 is a perspective view of a mobile parking limit
indicating device showing my new design;
FIG. 2 is a front view thereof;
FIG. 3 is a left side view thereof;
FIG. 4 is a right side view thereof;
FIG. 5 is a top plan view thereof; and,
FIG. 6 is a bottom plan view thereof.

1 Claim, 3 Drawing Sheets



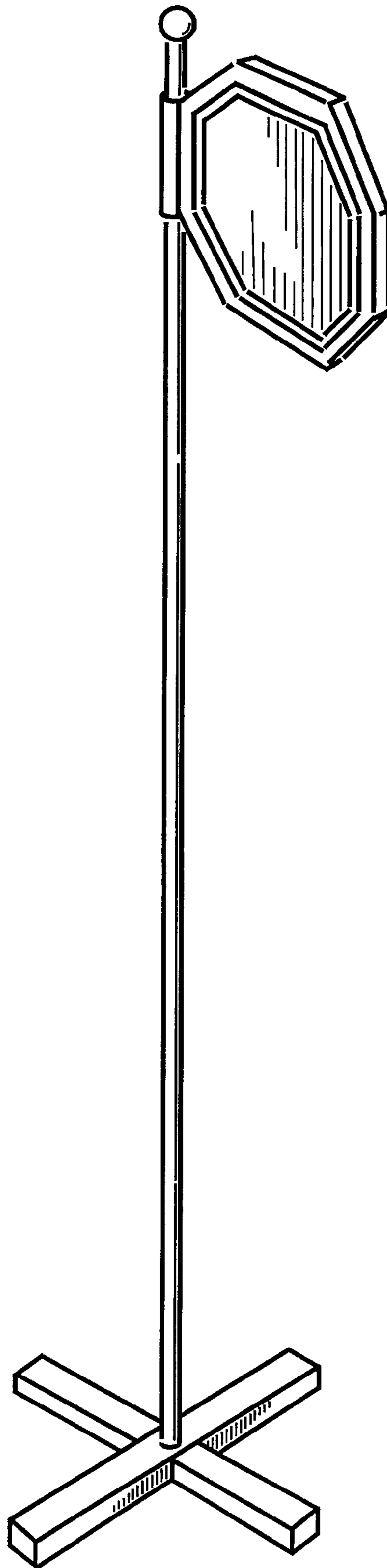


Fig. 1

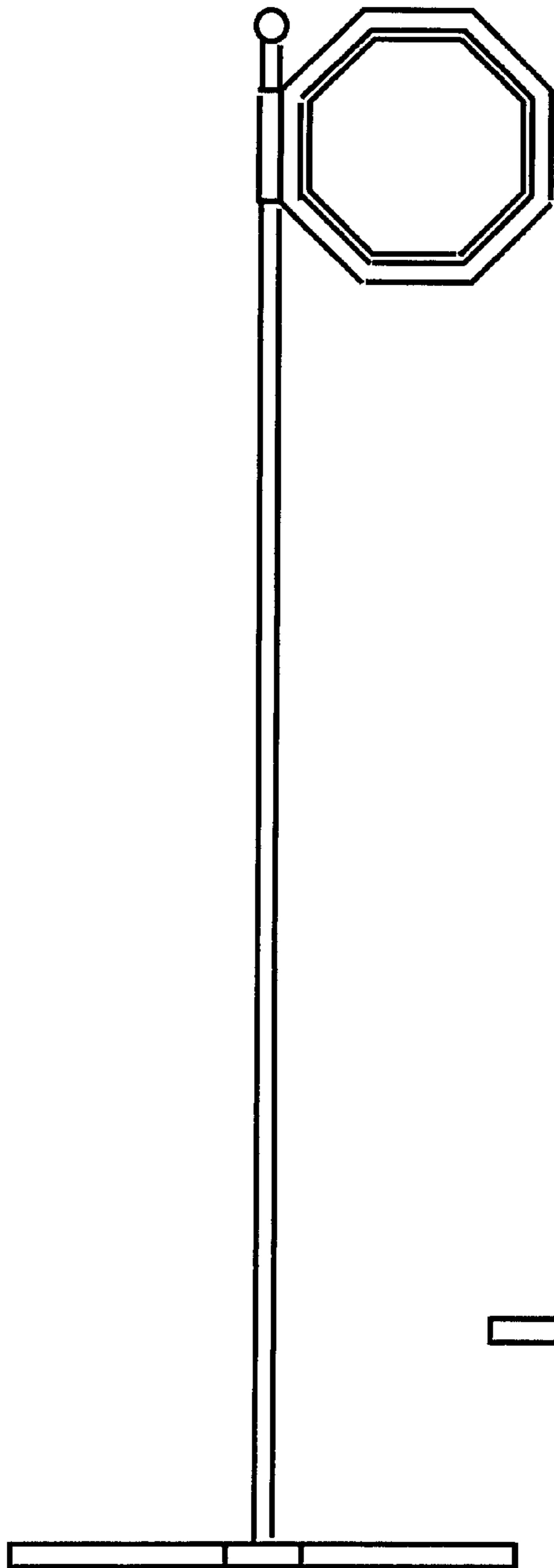


Fig. 2

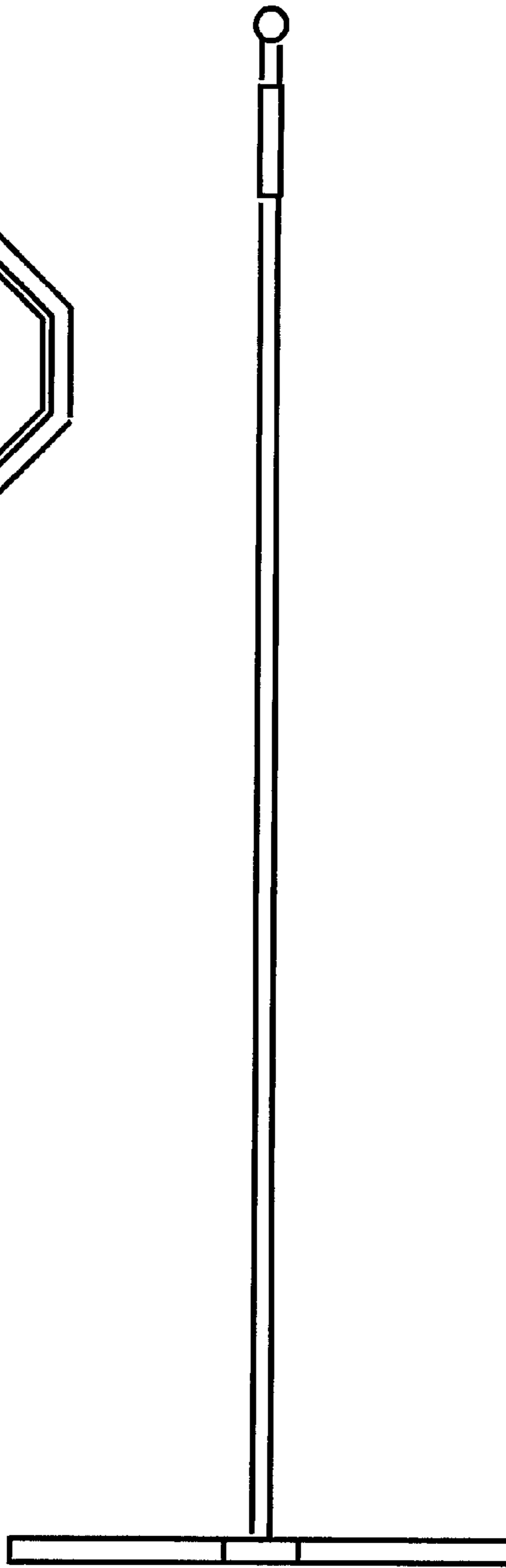


Fig. 3

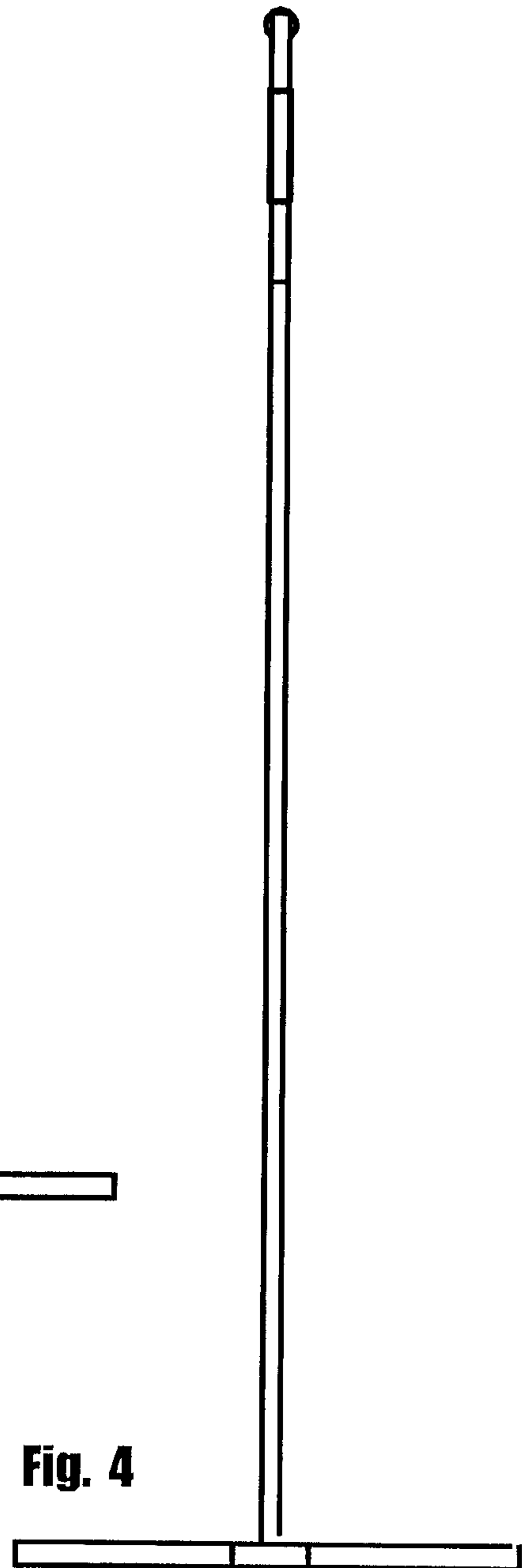


Fig. 4

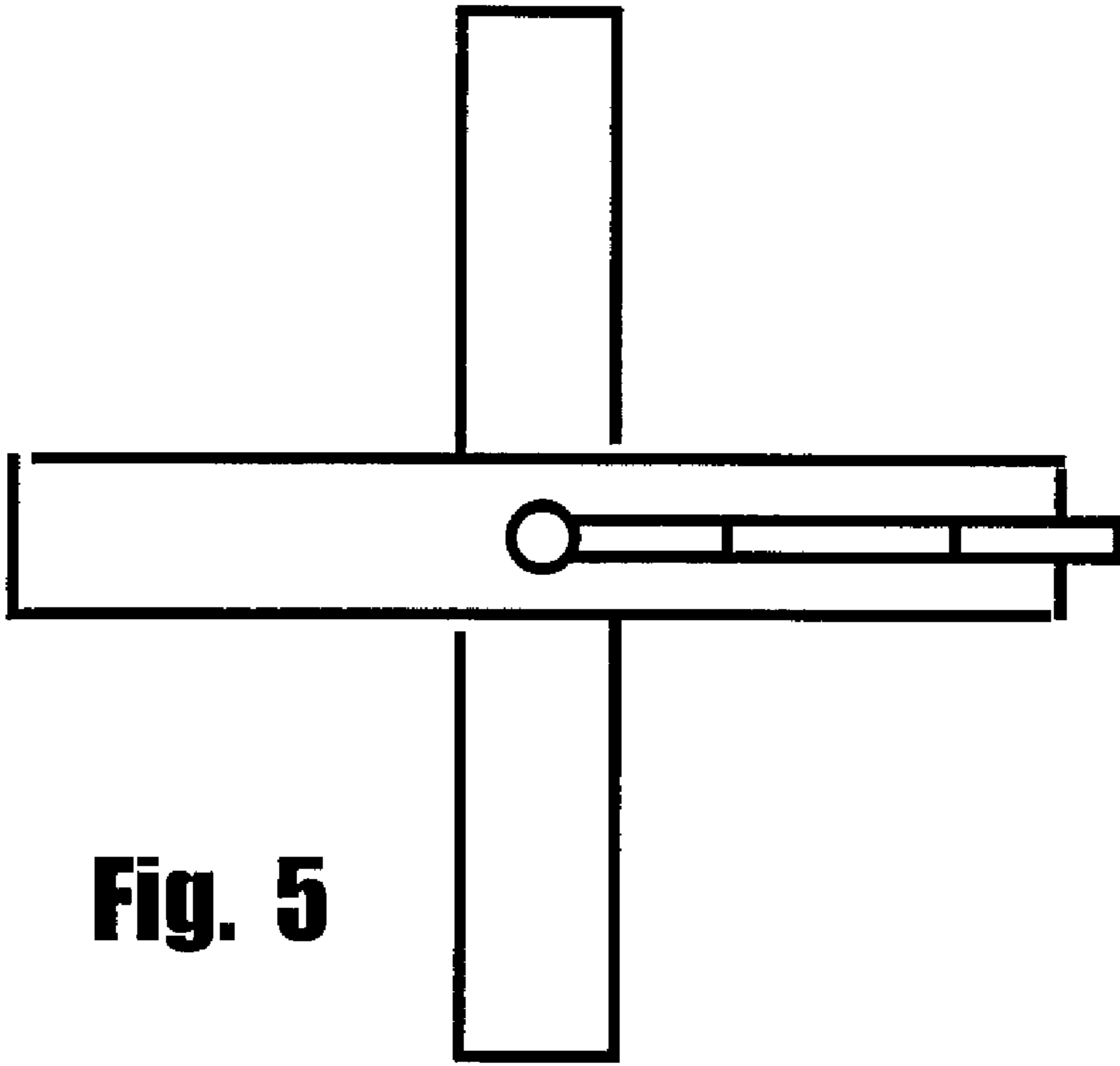


Fig. 5

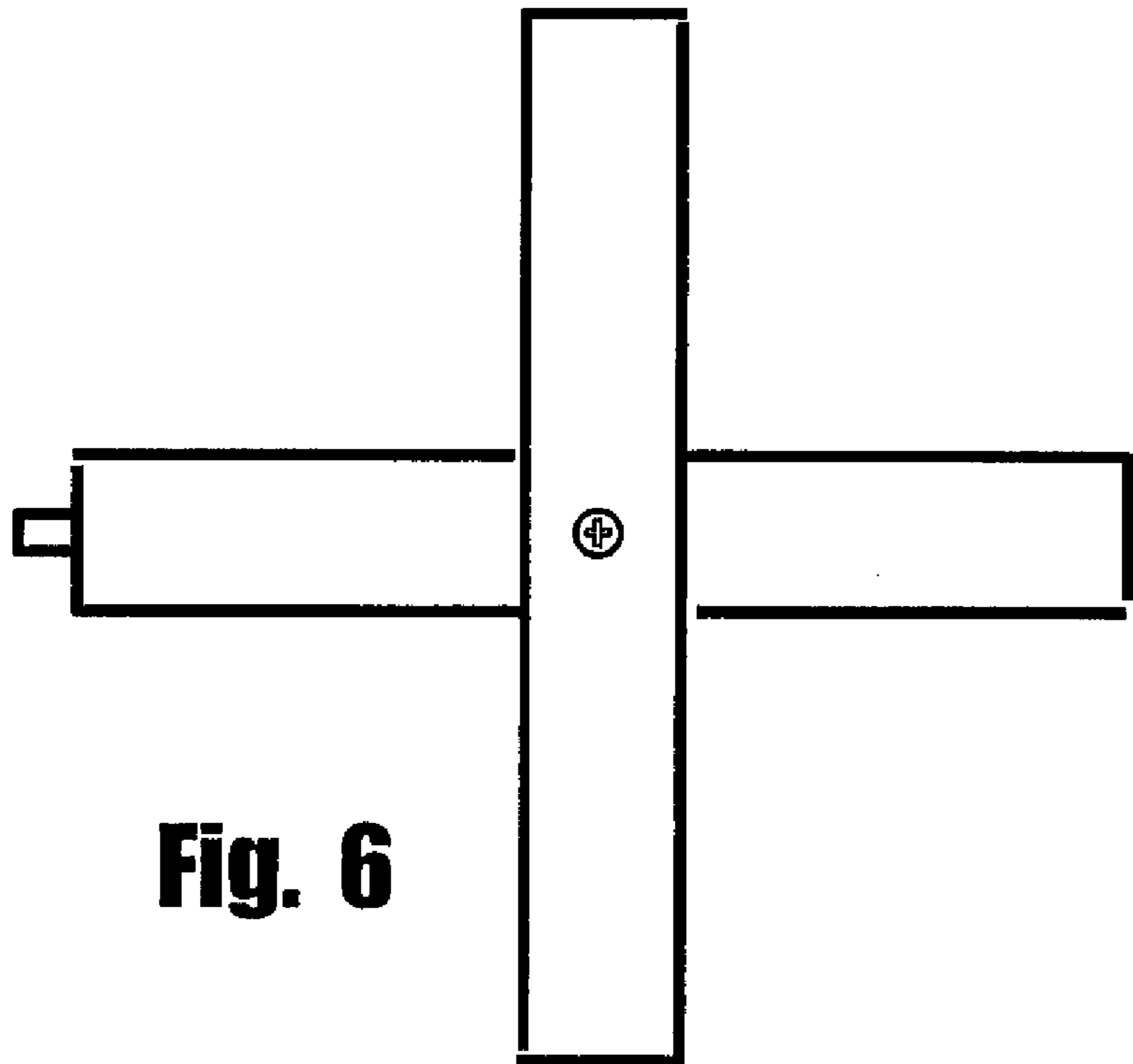


Fig. 6