



US00D487403S

(12) **United States Design Patent**
Geockeritz et al.

(10) **Patent No.:** **US D487,403 S**
(45) **Date of Patent:** **** Mar. 9, 2004**

(54) **SURFACE CONFIGURATION OF A WATCH**

(75) Inventors: **Olaf Geockeritz**, Stuttgart (DE);
Margarete Wies, Boeblingen (DE)

(73) Assignee: **DaimlerChrysler AG**, Stuttgart (DE)

(**) Term: **14 Years**

(21) Appl. No.: **29/175,093**

(22) Filed: **Jan. 30, 2003**

(30) **Foreign Application Priority Data**

Aug. 1, 2002 (DE) 4 02 06 357.0

(51) **LOC (7) Cl.** **10-02**

(52) **U.S. Cl.** **D10/39**

(58) **Field of Search** D10/1-40, 122-132;
368/280-282, 276-277, 285, 294-295

(56) **References Cited**

U.S. PATENT DOCUMENTS

- D60,533 S * 3/1922 Gruen D10/39
- D356,041 S * 3/1995 Bulgari D10/39
- D403,599 S * 1/1999 Emmenegger D10/39
- D406,773 S * 3/1999 Gueit et al. D10/32
- D410,198 S * 5/1999 Hysek D10/30

- D441,668 S * 5/2001 Dumas D10/39
- D442,093 S * 5/2001 Fuchs D10/39
- D454,082 S * 3/2002 Budrow D10/72
- D462,280 S * 9/2002 Cheng D10/39
- D462,281 S * 9/2002 Wunderman D10/39

FOREIGN PATENT DOCUMENTS

- WO 053117 * 8/2000 D10/32
- WO 054373 * 12/2000 D10/32

* cited by examiner

Primary Examiner—Nelson C. Holtje

(74) *Attorney, Agent, or Firm*—Crowell & Moring LLP

(57) **CLAIM**

The ornamental design for a surface configuration of a watch, as shown and described.

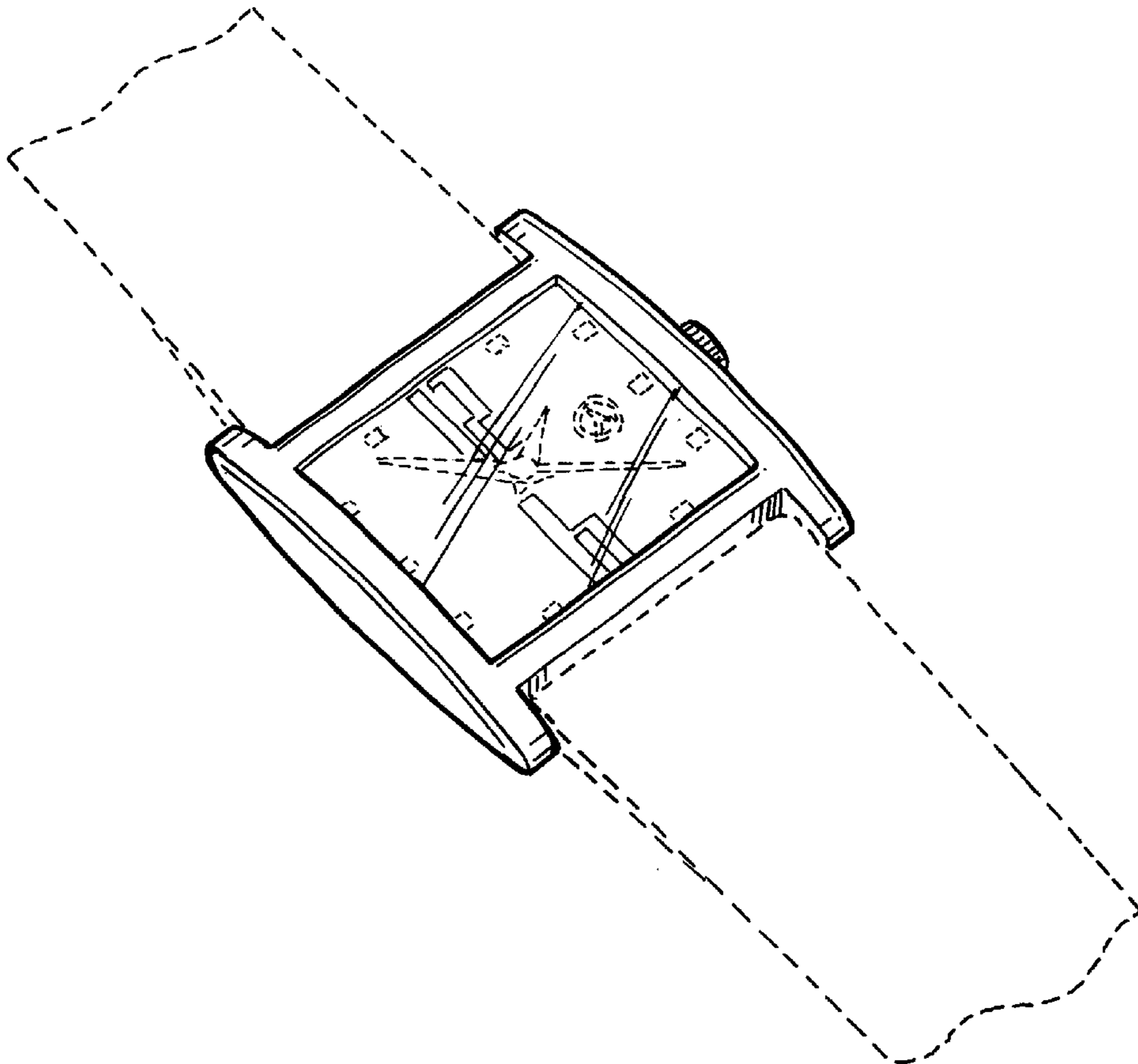
DESCRIPTION

FIG. 1 is a perspective view of a surface configuration of a watch according to our novel design;

FIG. 2 is a side view of the surface configuration of a watch according to our novel design; and,

FIG. 3 is a top view of the surface configuration of a watch according to our novel design.

1 Claim, 2 Drawing Sheets



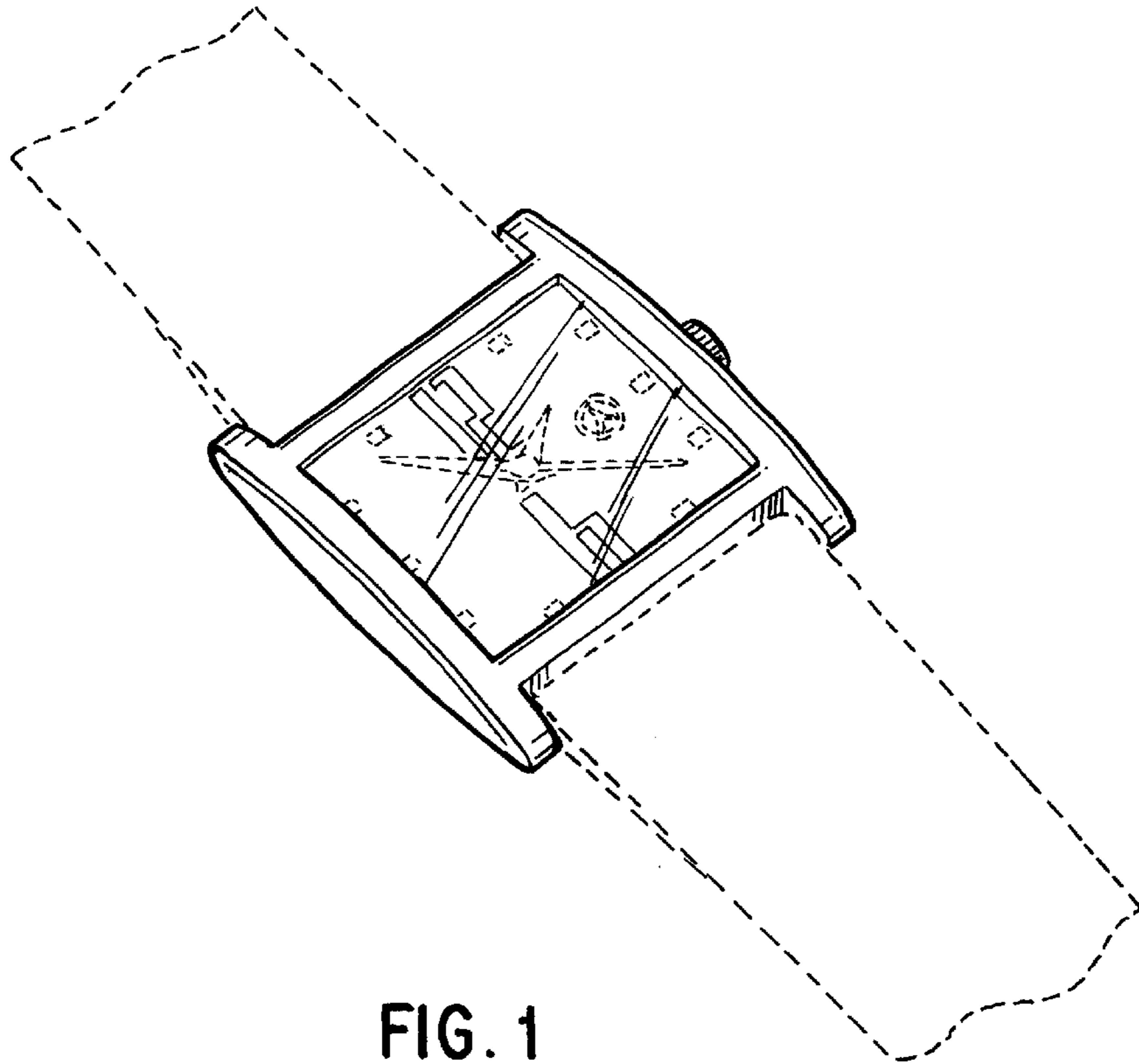


FIG. 1

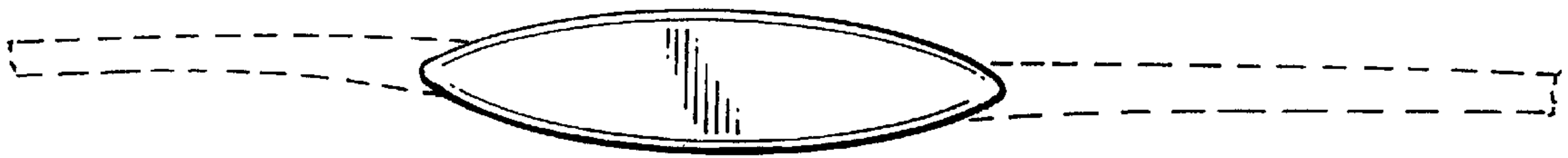


FIG. 2

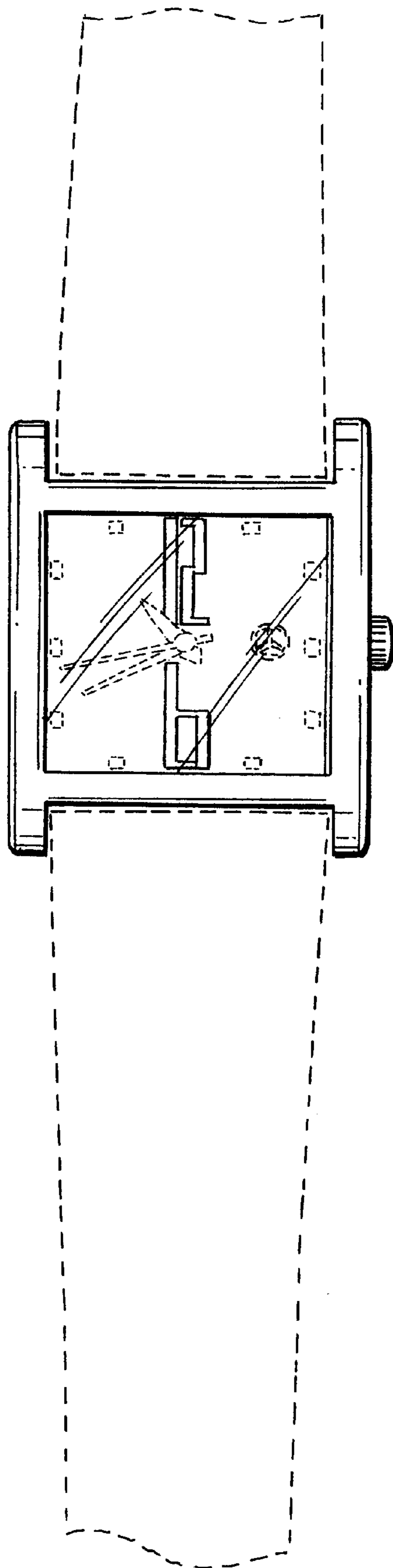


FIG. 3