



US00D487402S

(12) **United States Design Patent**
Dubarry

(10) **Patent No.:** **US D487,402 S**

(45) **Date of Patent:** **** Mar. 9, 2004**

(54) **WATCH**

D466,033 S * 11/2002 Dubarry D10/32

(76) **Inventor:** **Franck Dubarry**, 2915 Biscayne Blvd., #303, Miami, FL (US) 33137

* cited by examiner

Primary Examiner—Nelson C. Holtje
(74) *Attorney, Agent, or Firm*—Robert L. Tucker

(**) **Term:** **14 Years**

(57) **CLAIM**

(21) **Appl. No.:** **29/179,107**

The ornamental design for a watch, at least substantially as shown and described.

(22) **Filed:** **Apr. 5, 2003**

DESCRIPTION

(51) **LOC (7) Cl.** **10-02**

(52) **U.S. Cl.** **D10/32**

(58) **Field of Search** D10/1-39, 122-132; 368/276-277, 285, 281-282; 224/164, 168, 178; D11/3-25; 63/1.11, 3, 5, 11

FIG. 1 is a perspective view of a watch showing my design; FIG. 2 is a top plan view thereof; FIG. 3 is a bottom plan view thereof; FIG. 4 is a side elevation view thereof; FIG. 5 is an opposite side elevation view thereof; FIG. 6 is a front end view thereof; FIG. 7 is a back end view thereof; and, FIG. 8 shows an alternative embodiment of the top plan view of my watch design, claiming the design irrespective of a particular watch face.

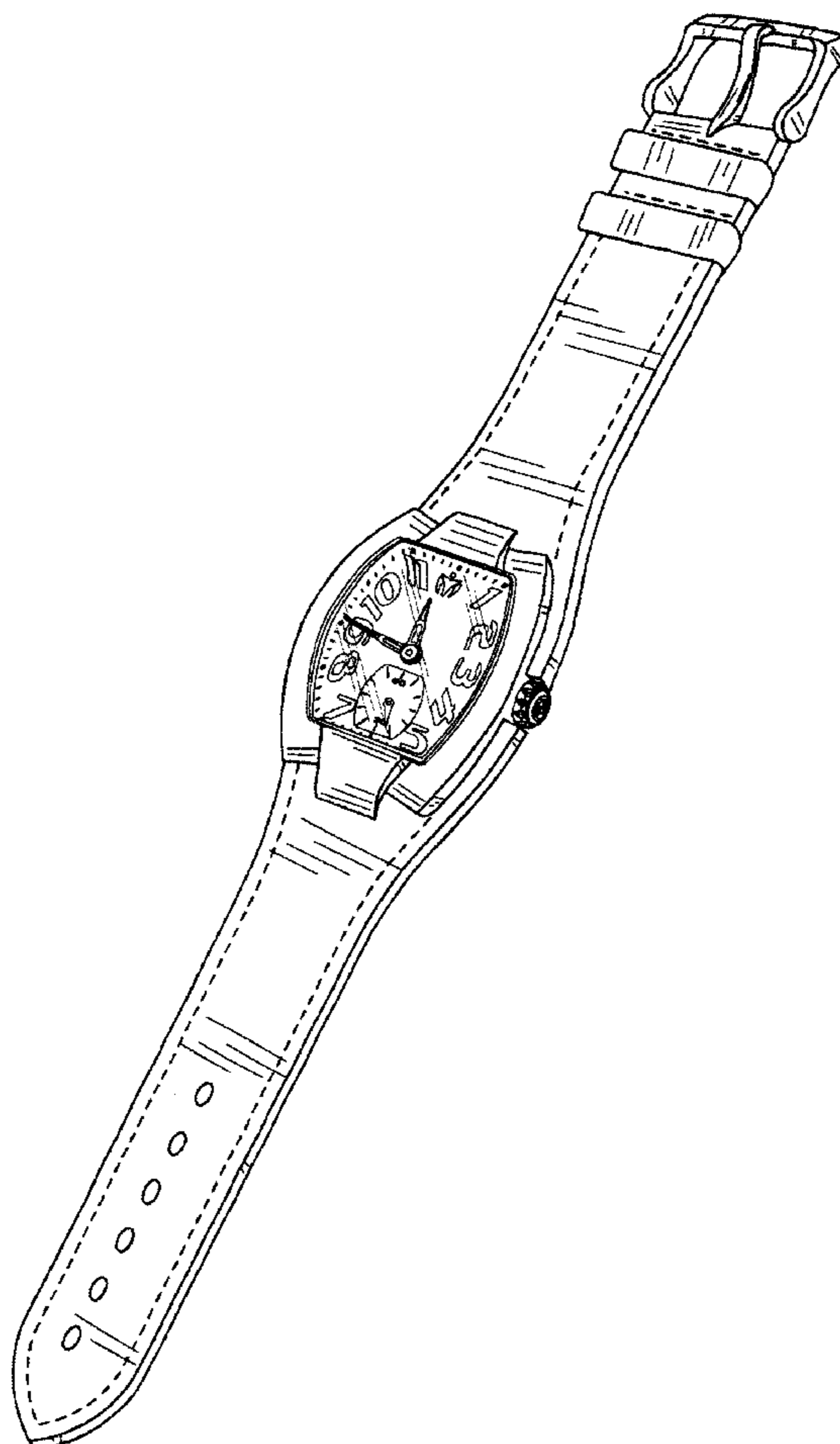
(56) **References Cited**

U.S. PATENT DOCUMENTS

D277,265 S	*	1/1985	Maglioli	D10/39
D339,533 S	*	9/1993	Frappe	D10/39
D404,320 S	*	1/1999	Chodat	D10/39
6,185,160 B1	*	2/2001	Tsuda	368/67
D438,475 S	*	3/2001	Balet	D10/39
D452,168 S	*	12/2001	Riley	D10/30
D455,084 S	*	4/2002	Mauboussin	D10/39
D463,295 S	*	9/2002	Dubarry	D10/32

The broken lines shown in FIG. 8 on the casing are for illustrative purposes only and form no part of the claimed design. The broken lines merely show the environment in which claimed design may be used.

1 Claim, 5 Drawing Sheets



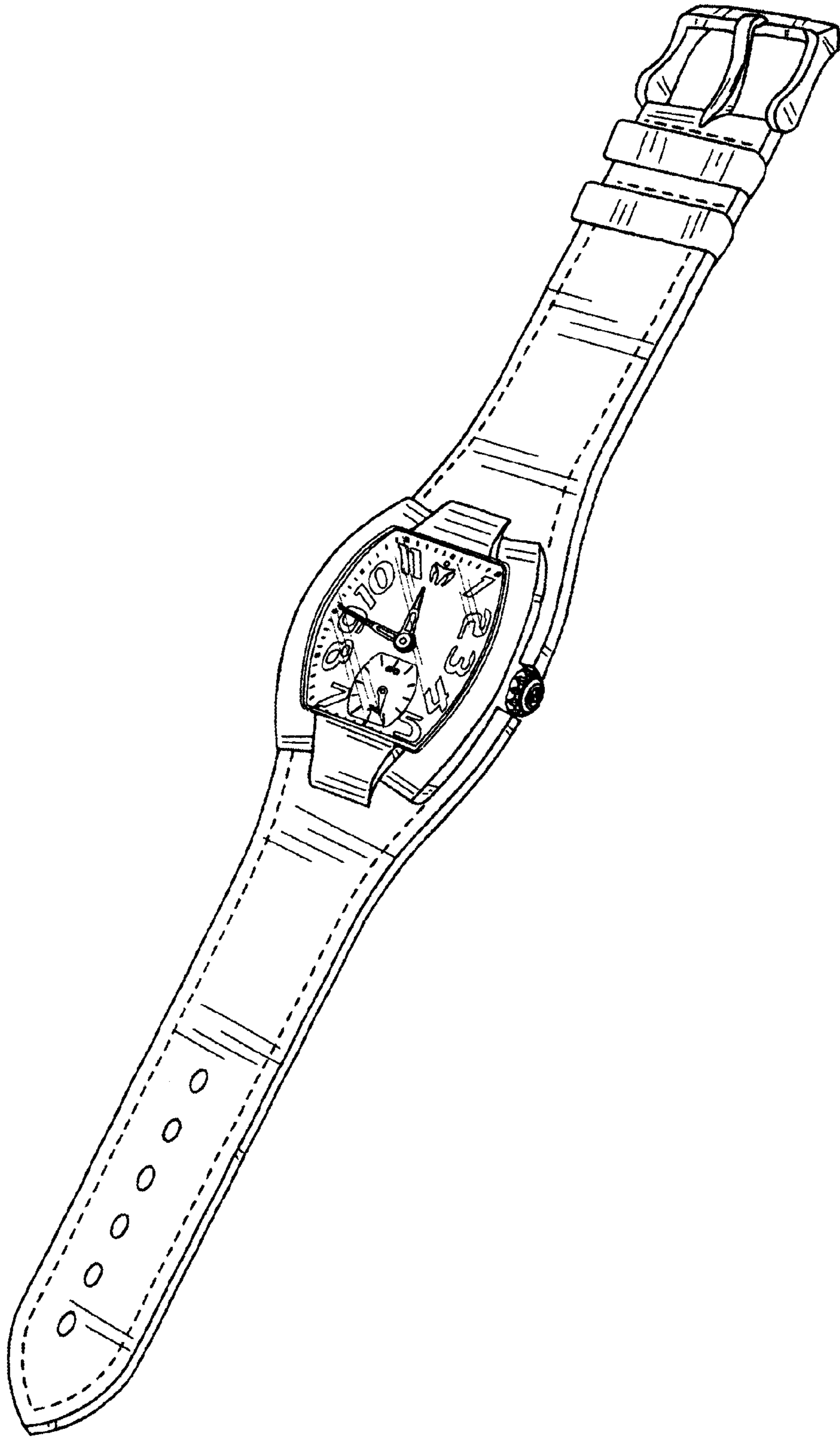


FIG. 1

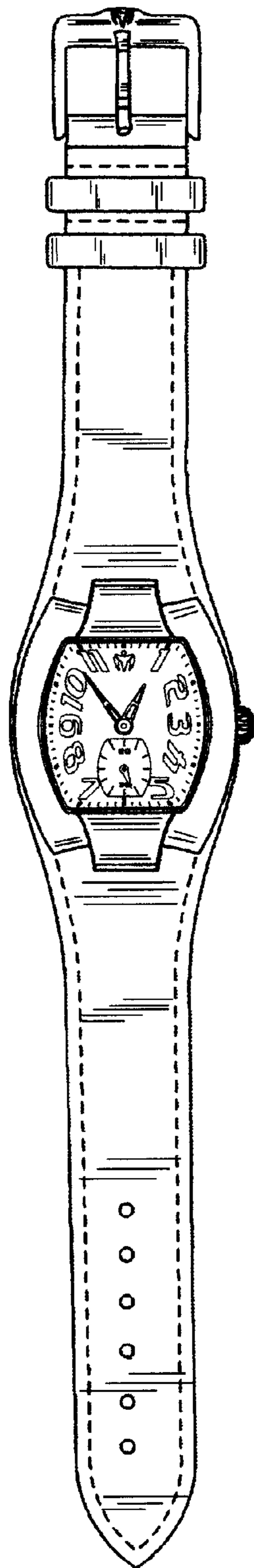


FIG. 2

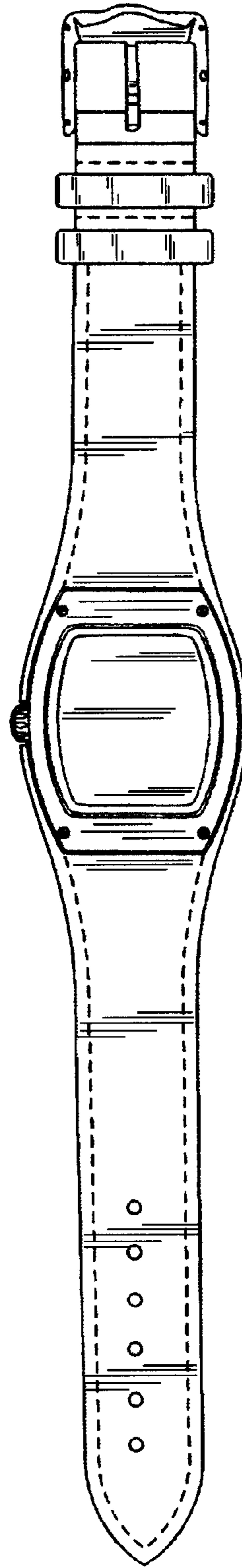


FIG. 3

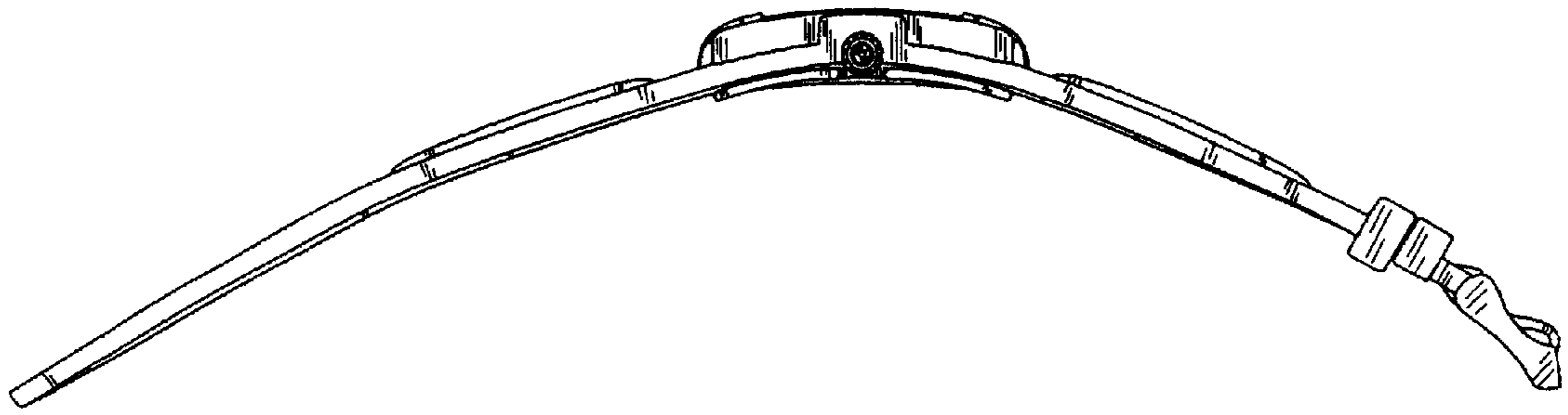


FIG. 4

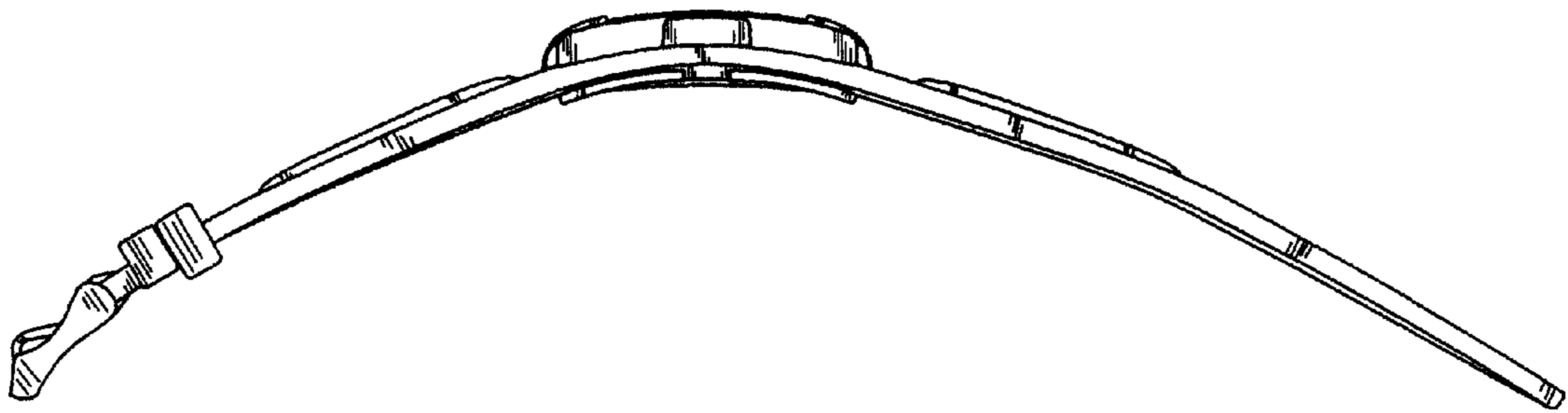


FIG. 5

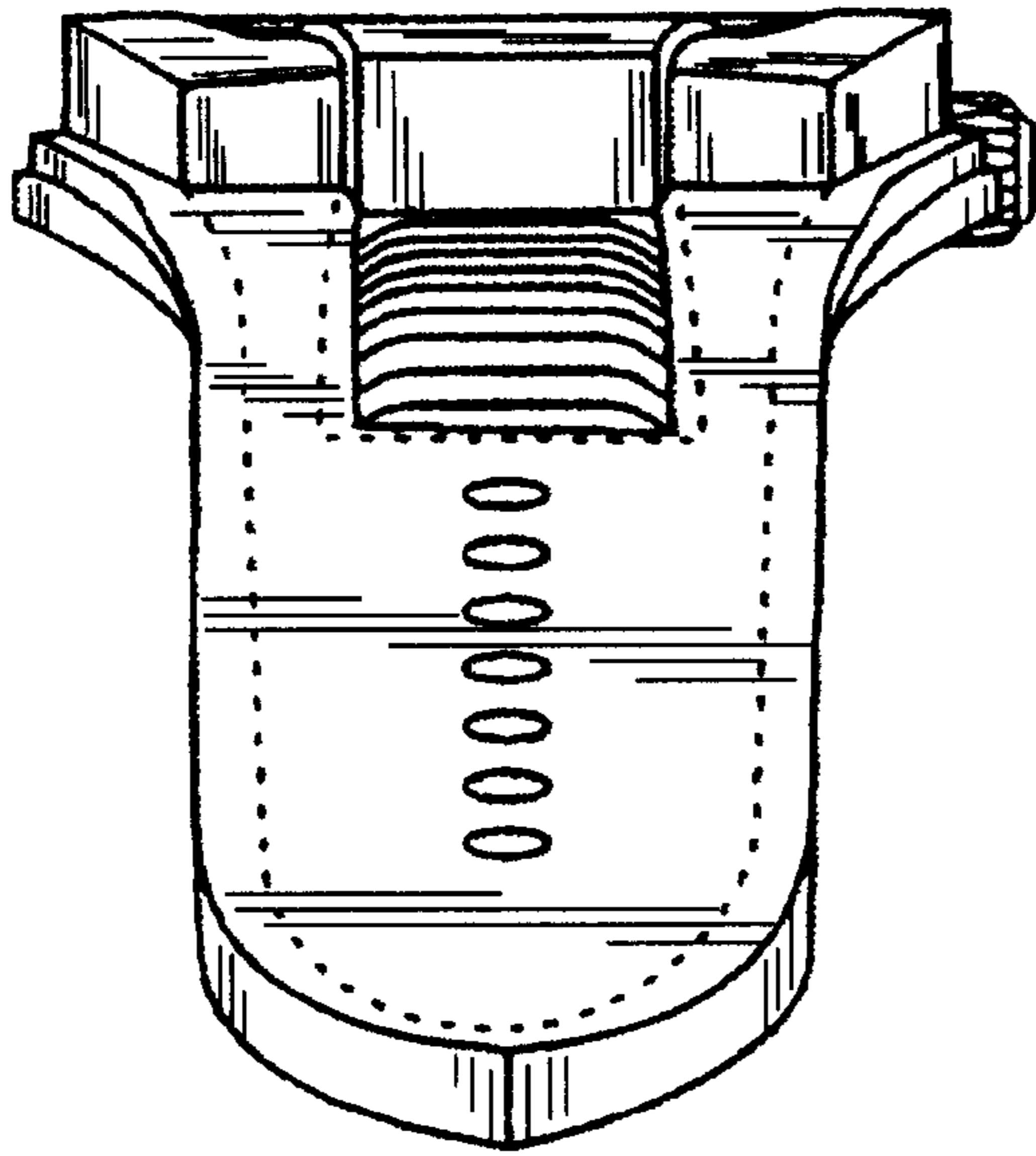


FIG. 6

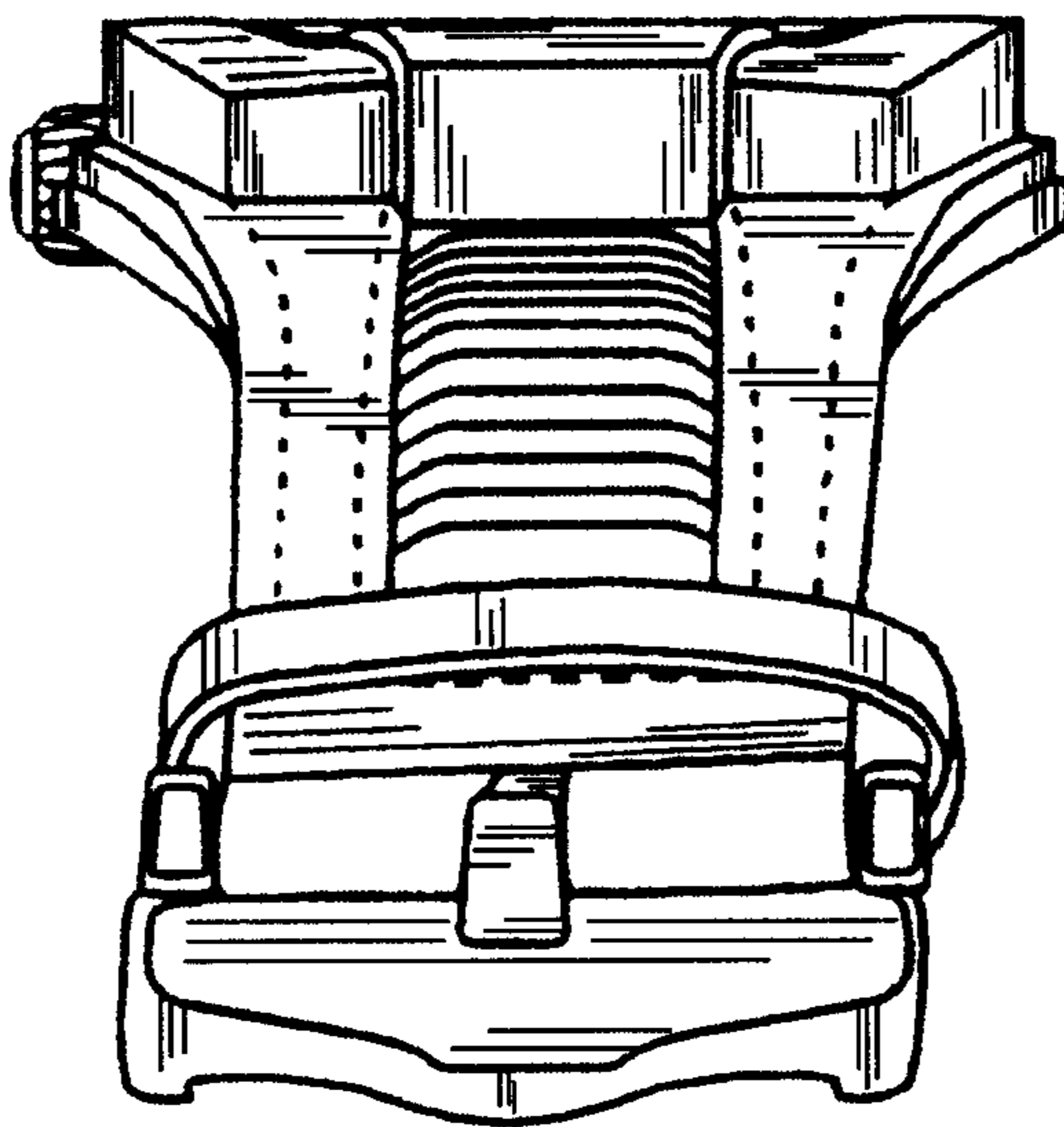


FIG. 7

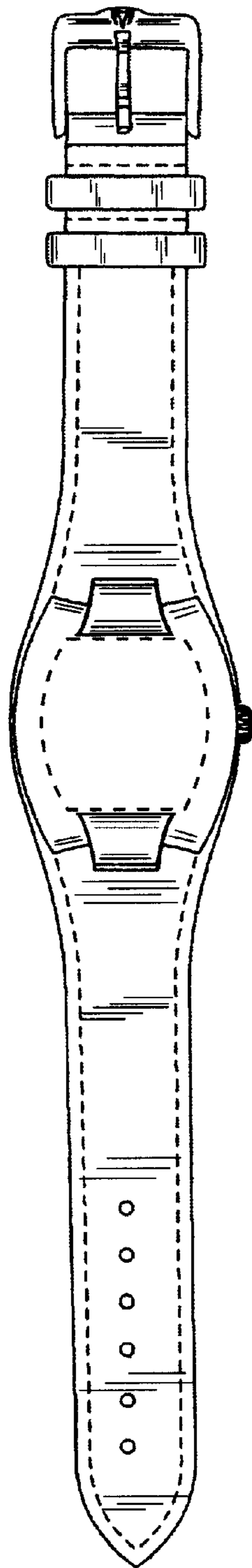


FIG.8